

US00D563404S

(12) **United States Design Patent**
Taniho et al.

(10) **Patent No.:** **US D563,404 S**
(45) **Date of Patent:** **** Mar. 4, 2008**

(54) **COMPUTER TERMINAL**

(75) Inventors: **Kiichi Taniho**, Kahoku (JP); **Minoru Sugitani**, Kahoku (JP); **Shuji Hashimoto**, Komatsu (JP)

(73) Assignee: **PFU Limited**, Ishikawa (JP)

(**) Term: **14 Years**

(21) Appl. No.: **29/268,820**

(22) Filed: **Nov. 14, 2006**

(30) **Foreign Application Priority Data**

Aug. 1, 2006 (JP) 2006-020264

(51) **LOC (8) Cl.** **14-02**

(52) **U.S. Cl.** **D14/302; D14/900**

(58) **Field of Classification Search** D14/302, D14/303, 305, 307, 308, 130, 146, 900, 371-374, D14/140; D13/162, 163, 184; D20/10; D25/1; D99/28; 194/205, 206; 361/680-687
See application file for complete search history.

(56) **References Cited**

U.S. PATENT DOCUMENTS

D377,784 S * 2/1997 Wilson D14/302

D434,078 S * 11/2000 Matsumoto D20/10
D438,182 S * 2/2001 Wilson D14/130
D452,712 S * 1/2002 Kim D20/10
D473,554 S * 4/2003 Landerholm et al. D14/302
D478,582 S * 8/2003 Becker et al. D14/302
6,646,863 B1 * 11/2003 White et al. 361/680

* cited by examiner

Primary Examiner—Freda S Nunn

(74) *Attorney, Agent, or Firm*—Staas & Halsey LLP

(57) **CLAIM**

The ornamental design for a computer terminal, as shown and described.

DESCRIPTION

FIG. 1 is a front perspective view of a computer terminal showing our new design;

FIG. 2 is a front view thereof;

FIG. 3 is a rear view thereof;

FIG. 4 is a right side elevational view thereof;

FIG. 5 is a left side elevational view thereof;

FIG. 6 is a top plan view thereof; and,

FIG. 7 is a bottom plan view thereof.

1 Claim, 3 Drawing Sheets

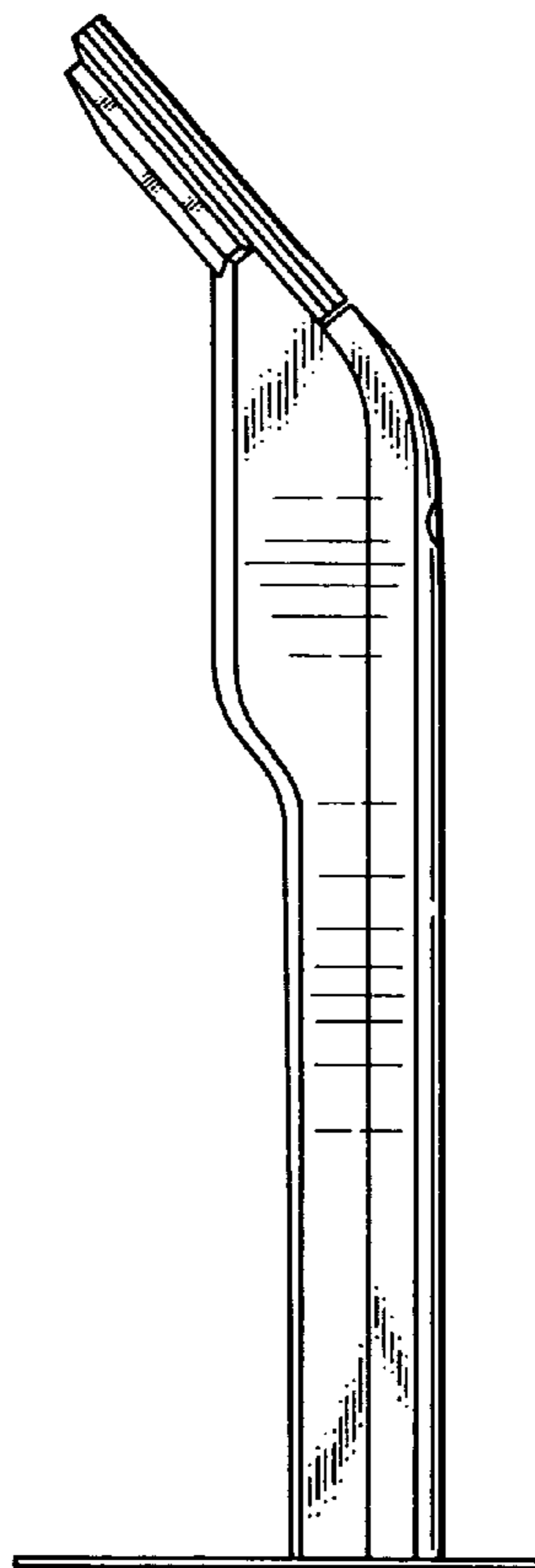
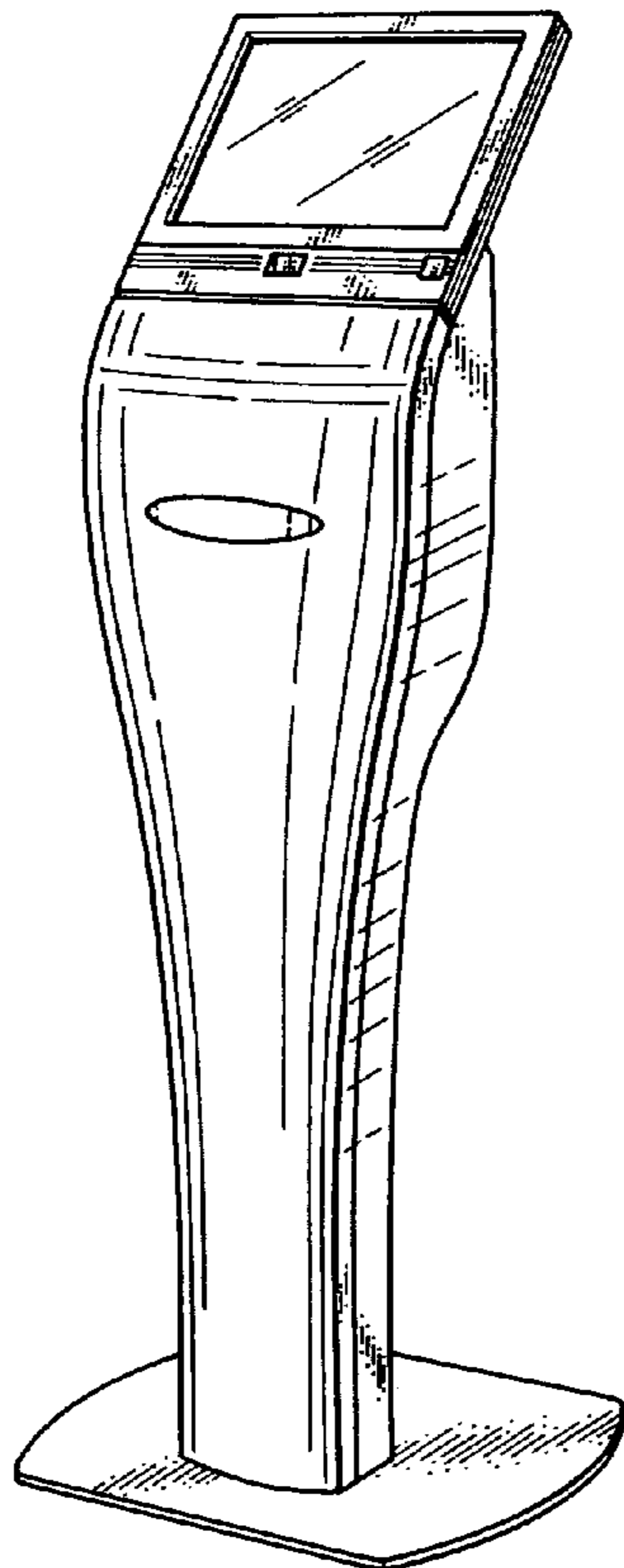


Fig.1

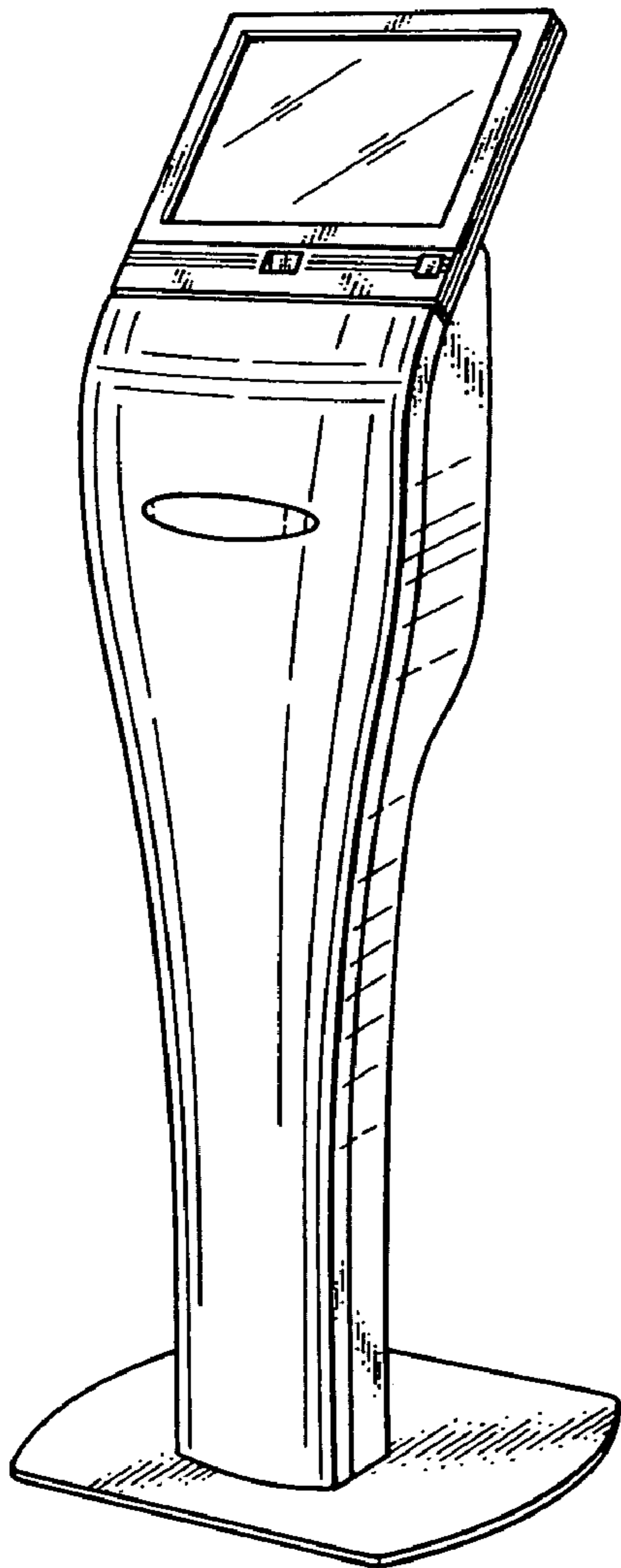


Fig.2

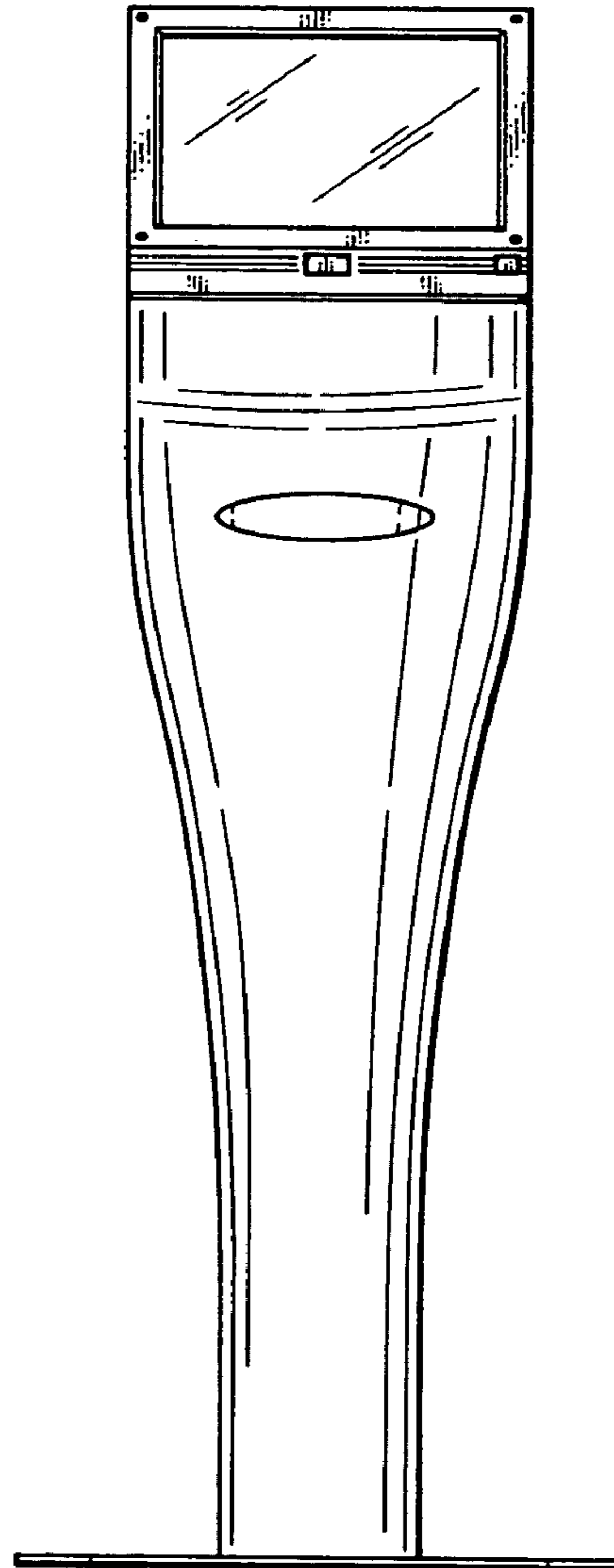


Fig.3

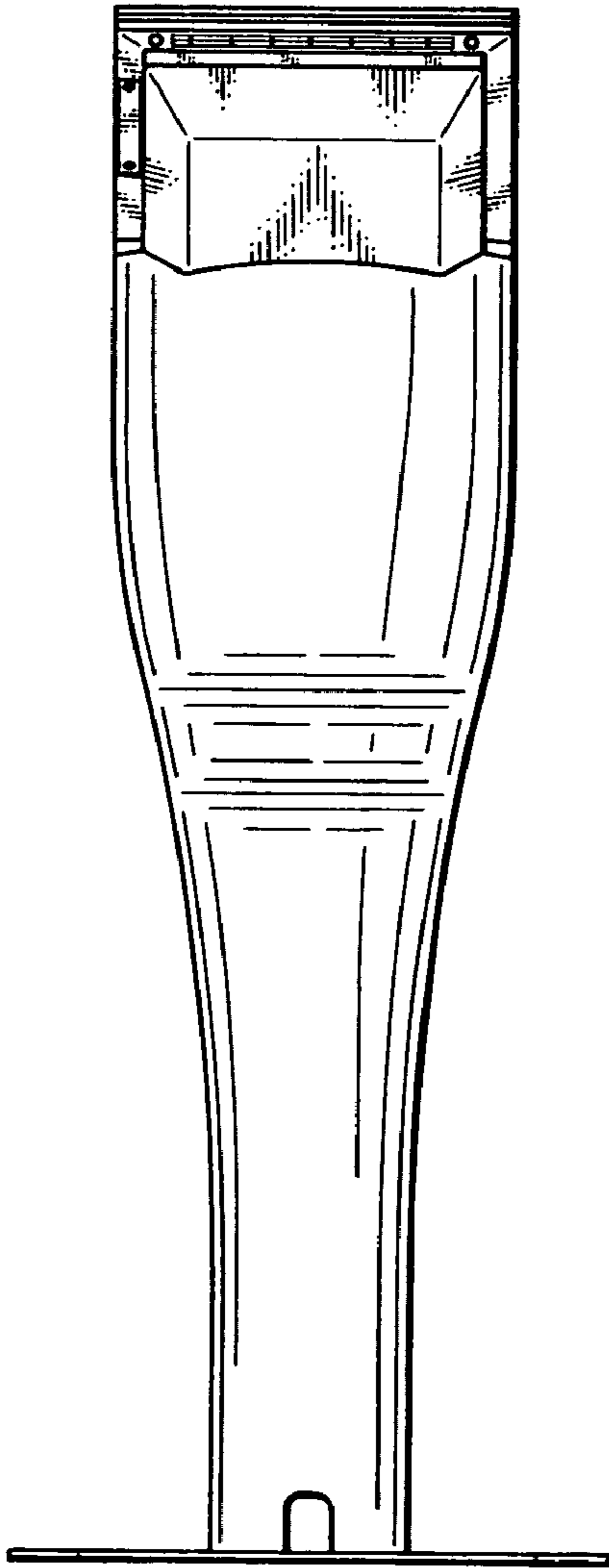


Fig.4

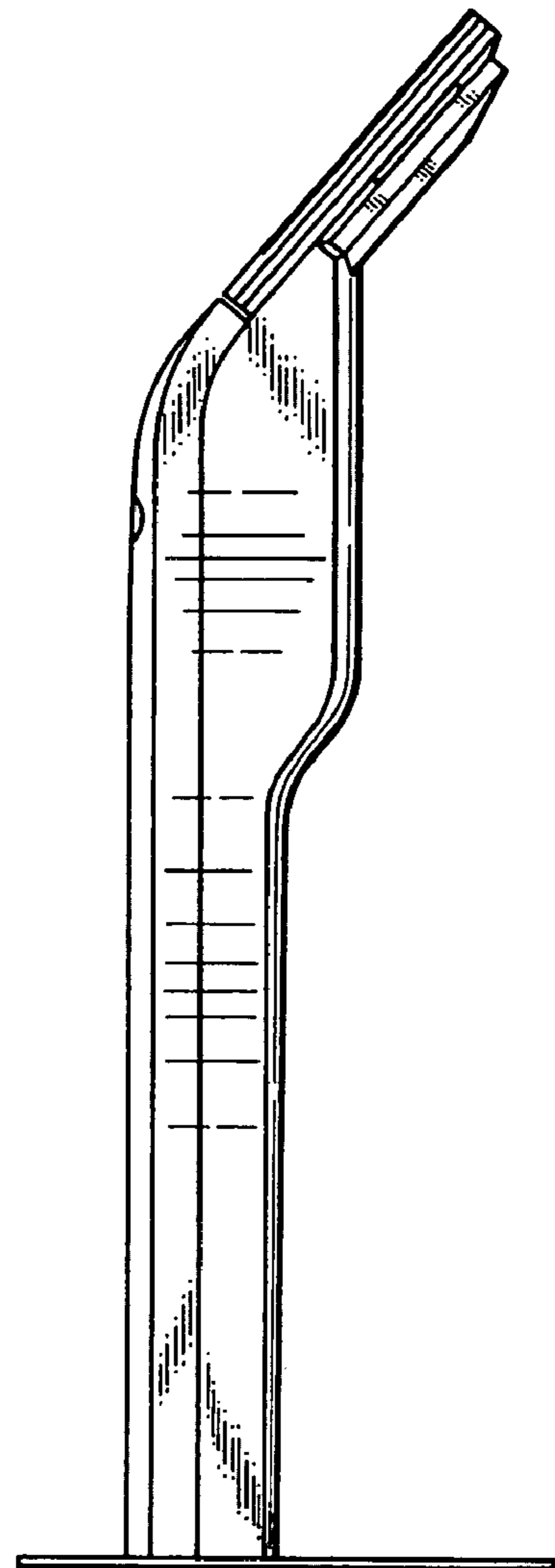


Fig.5

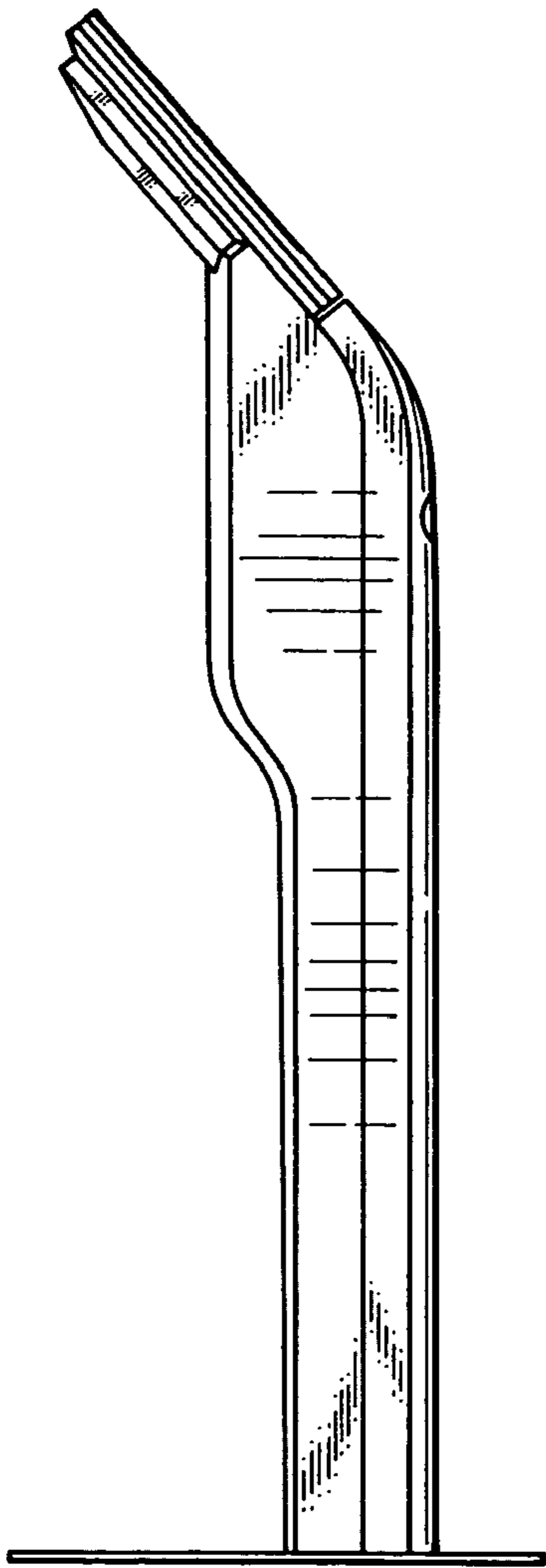


Fig.6

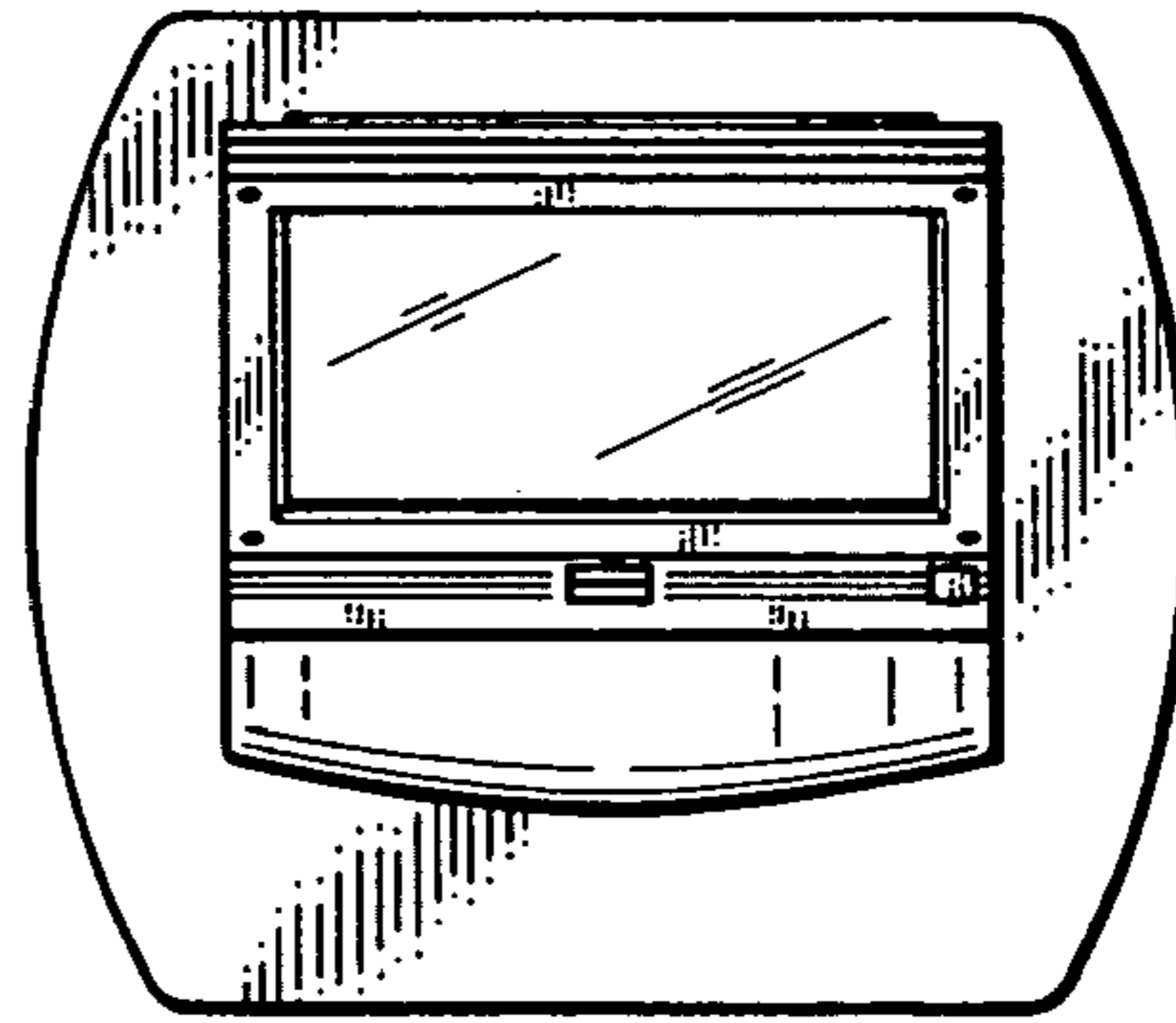


Fig.7

