



US00D563403S

(12) **United States Design Patent**  
**Files**

(10) **Patent No.:** **US D563,403 S**  
(45) **Date of Patent:** **\*\* Mar. 4, 2008**

- (54) **AUDIO AMPLIFIER**
- (75) Inventor: **Edward M. Files**, Lee's Summit, MO (US)
- (73) Assignee: **2 Wheel Tunes, Inc.**, Lee's Summit, MO (US)
- (\*\*) Term: **14 Years**
- (21) Appl. No.: **29/268,141**
- (22) Filed: **Oct. 31, 2006**
- (51) **LOC (8) Cl.** ..... **14-03**
- (52) **U.S. Cl.** ..... **D14/265; D14/188**
- (58) **Field of Classification Search** ..... D14/188, D14/265, 135, 136, 160-164, 192-198; 455/344-351, 455/575.1; 369/1, 6-12; 381/86, 120, 121  
See application file for complete search history.

- D427,992 S \* 7/2000 Takahashi et al. .... D14/188
- D497,152 S \* 10/2004 Yeh ..... D14/188
- D535,284 S \* 1/2007 Peng ..... D14/188
- D537,434 S \* 2/2007 Takahashi et al. .... D14/188
- 7,230,822 B2 \* 6/2007 Langberg et al. .... 361/683

\* cited by examiner

*Primary Examiner*—Prabhakar Deshmukh  
(74) *Attorney, Agent, or Firm*—Allen, Dyer, Doppelt, Milbrath & Gilchrist, P.A.

(57) **CLAIM**

The ornamental design for an audio amplifier, as shown and described.

**DESCRIPTION**

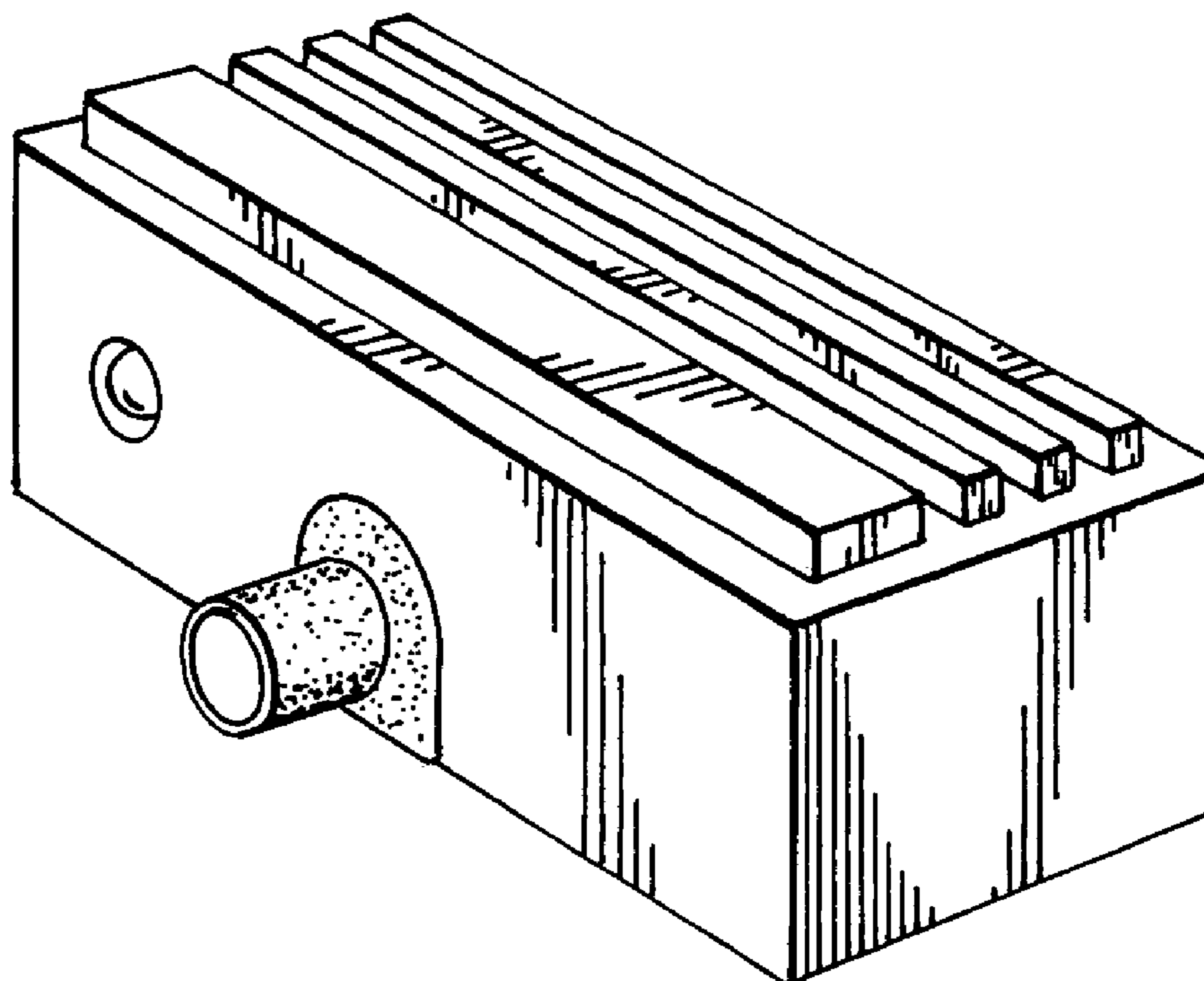
- FIG. 1 is a perspective view of an audio amplifier according to the present invention;
- FIG. 2 is a front elevational view thereof;
- FIG. 3 is a bottom plan view thereof;
- FIG. 4 is a top plan view thereof;
- FIG. 5 is a left side elevational view thereof; the right side being a mirror image of the left side; and,
- FIG. 6 is a rear elevational view thereof.

(56) **References Cited**

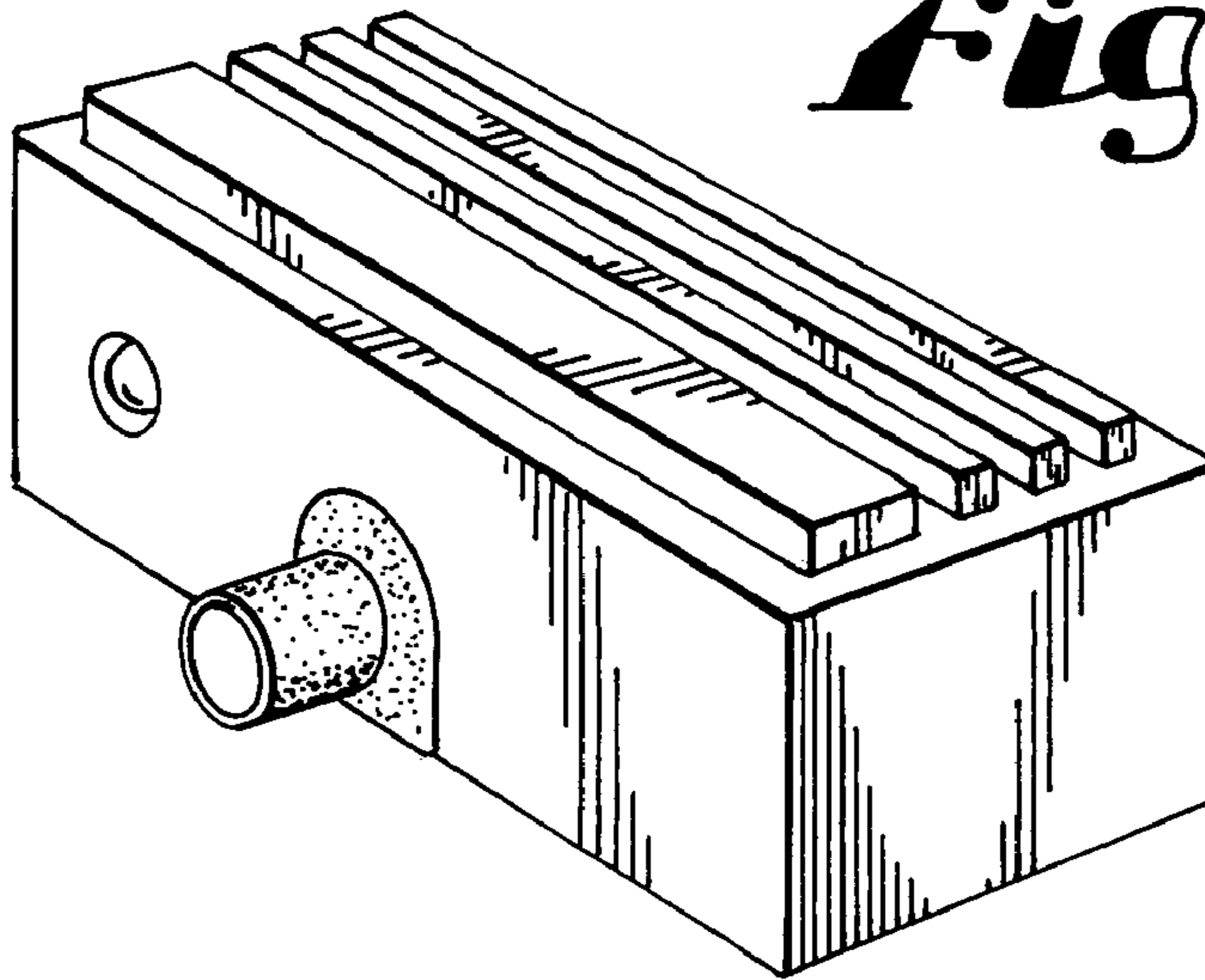
U.S. PATENT DOCUMENTS

- 3,860,755 A \* 1/1975 Kimbell et al. .... 381/109
- D314,387 S \* 2/1991 Azima ..... D14/265
- D316,553 S \* 4/1991 Azima ..... D14/265
- D327,072 S \* 6/1992 Christie ..... D14/265
- 5,285,500 A \* 2/1994 Mantz ..... 381/86
- D379,813 S \* 6/1997 Funayama et al. .... D14/188
- D416,902 S \* 11/1999 Kizawa ..... D14/188

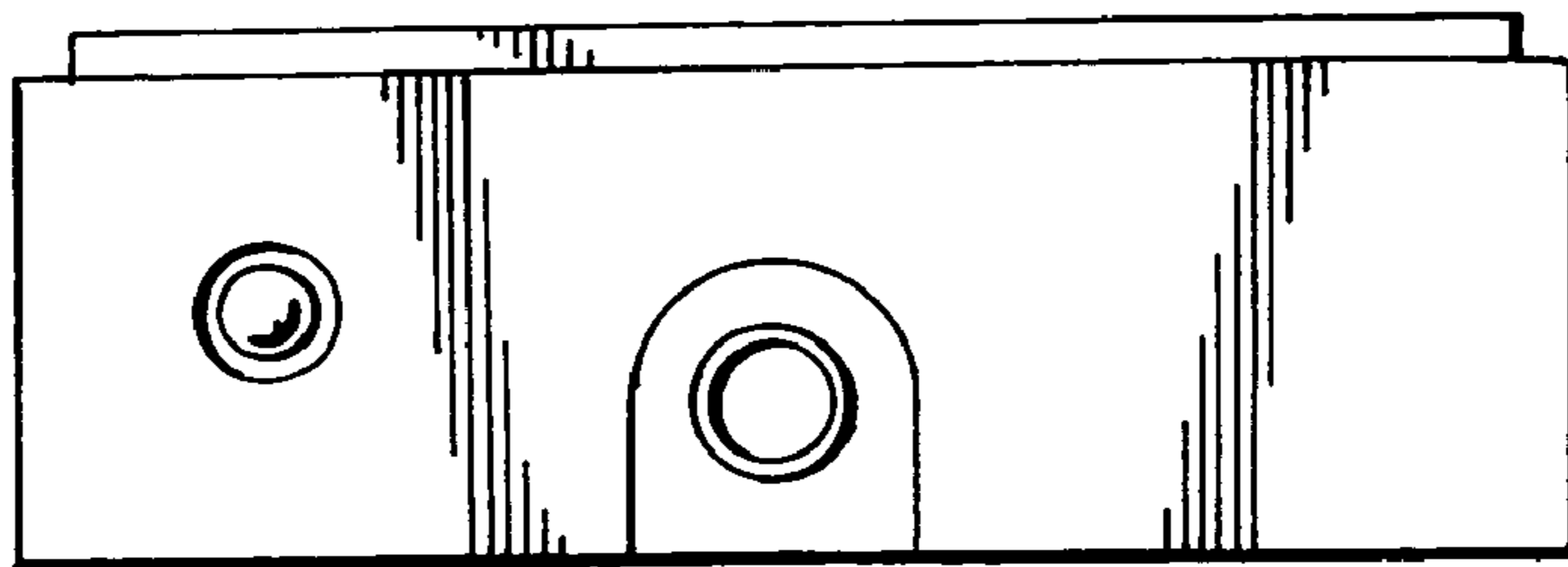
**1 Claim, 2 Drawing Sheets**



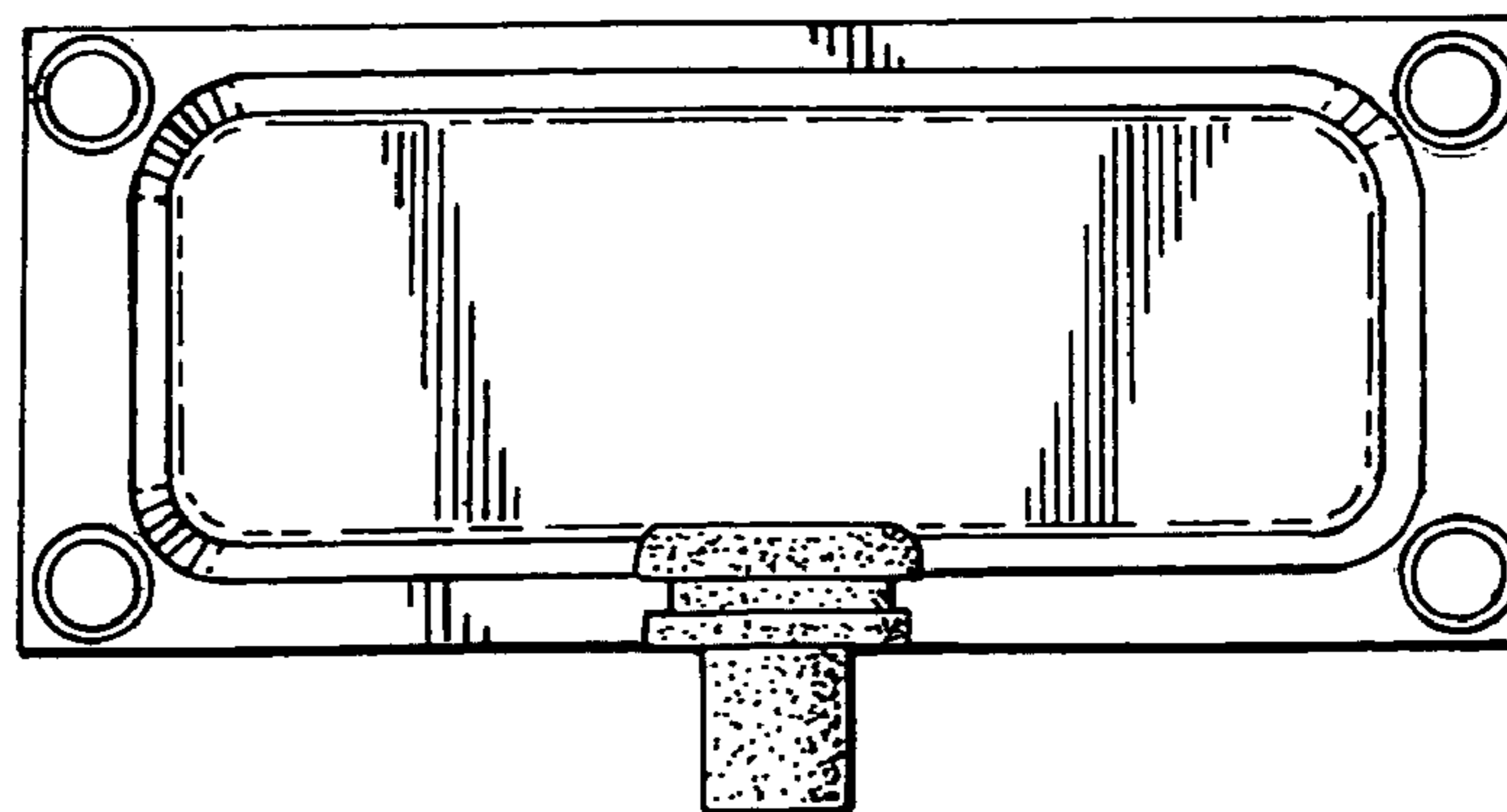
*Fig. 1.*



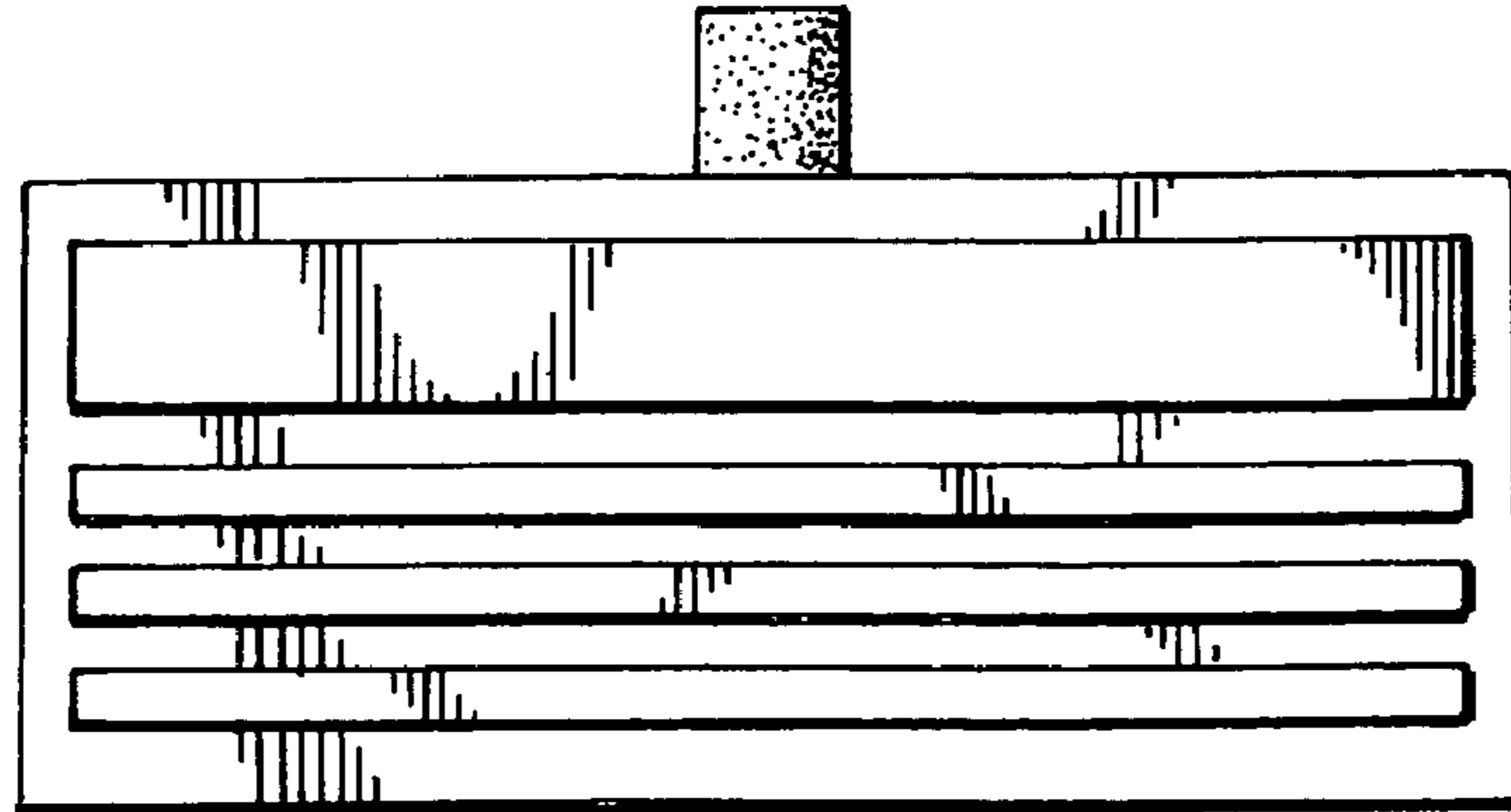
*Fig. 2.*



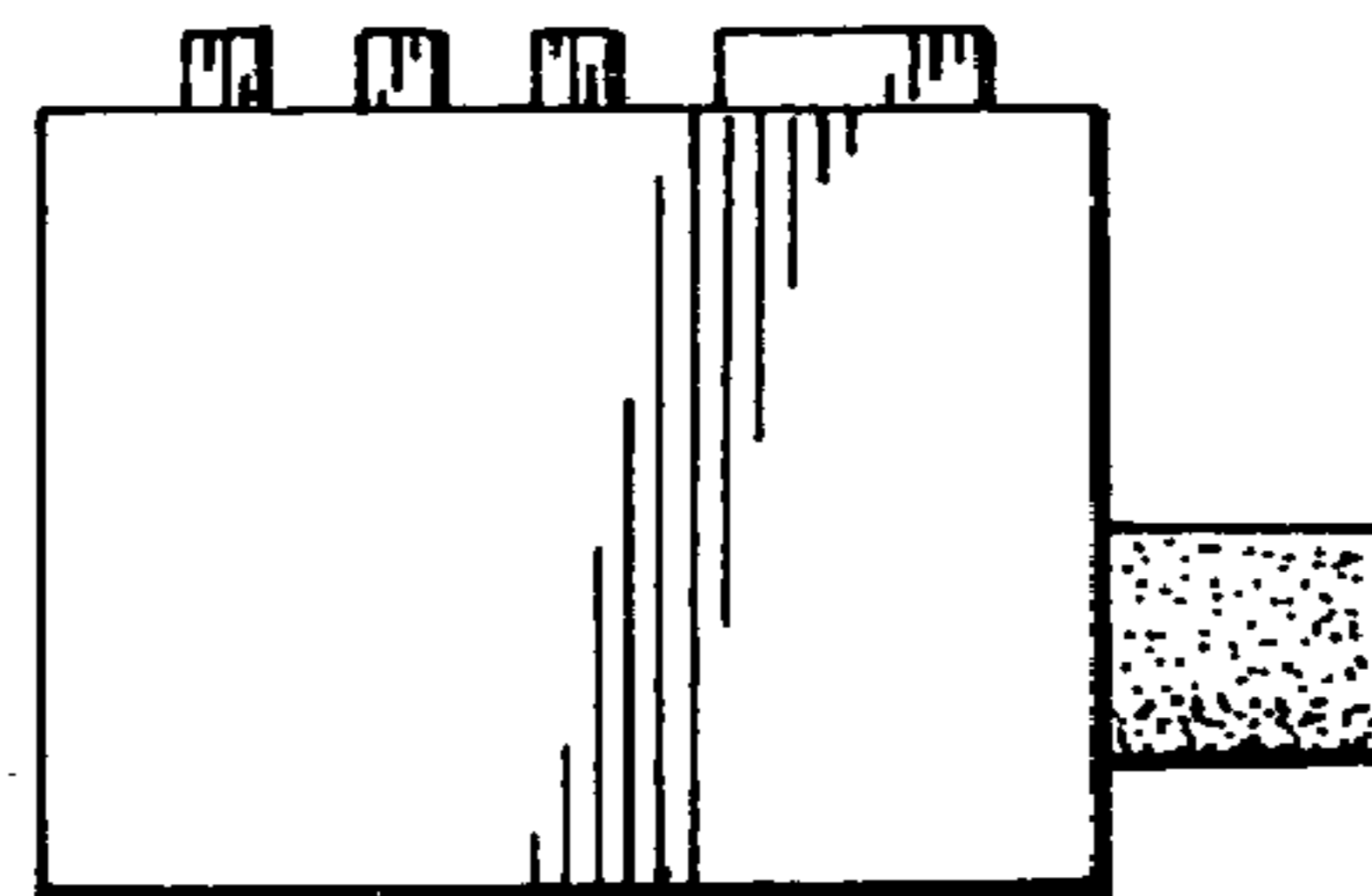
*Fig. 3*



*Fig. 4.*



*Fig. 5.*



*Fig. 6.*

