

US00D563399S

(12) **United States Design Patent** (10) **Patent No.:** **US D563,399 S**
Wohlford et al. (45) **Date of Patent:** **** Mar. 4, 2008**

(54) **TABLE MOUNT FOR FLAT PANEL ELECTRONIC DISPLAY**

(75) Inventors: **Jim Wohlford**, Edina, MN (US); **Joel Pfister**, Golden Valley, MN (US); **Dominic Grey**, Blaine, MN (US); **Stuart Bulcraig**, Auckland (NZ)

(73) Assignee: **CSAV, Inc.**, Savage, MN (US)

(**) Term: **14 Years**

(21) Appl. No.: **29/262,223**

(22) Filed: **Jan. 4, 2006**

(51) **LOC (8) Cl.** **14-03**

(52) **U.S. Cl.** **D14/239**

(58) **Field of Classification Search** D14/239, D14/451-454, 224, 316, 375-377, 432, 439, D14/447, 448, 455, 457, 469; D8/363, 373, D8/349, 394; 248/278.1, 279.1, 514, 291.1, 248/125.1, 121, 124.1, 125.7, 276.1, 415, 248/284.1, 286.1, 281.11, 292.11, 181.2, 248/917-921, 126-128, 133, 178.1, 183.1, 248/183.2, 346.01, 346.03, 349.1, 371, 473, 248/474, 512; 348/825, 827, 836, 837; 600/443
See application file for complete search history.

(56) **References Cited**

U.S. PATENT DOCUMENTS

- 6,409,134 B1 * 6/2002 Oddsen, Jr. 248/274.1
- 6,695,270 B1 2/2004 Smed
- D495,714 S 9/2004 Pfister
- D496,367 S 9/2004 Pfister
- 6,874,743 B2 4/2005 Watanabe et al.

- D507,477 S 7/2005 Pfister
- 7,028,961 B1 4/2006 Dittmer et al.
- D520,017 S * 5/2006 van Kuijk et al. D14/452
- D520,511 S * 5/2006 Piazza et al. D14/452
- D539,293 S * 3/2007 May et al. D14/452
- 2004/0159757 A1 8/2004 Pfister
- 2006/0022102 A1 2/2006 Dittmer

* cited by examiner

Primary Examiner—Raphael Barkai

Assistant Examiner—Randall H Gholson

(74) *Attorney, Agent, or Firm*—Patterson, Thuente, Skaar & Christensen, PA

(57) **CLAIM**

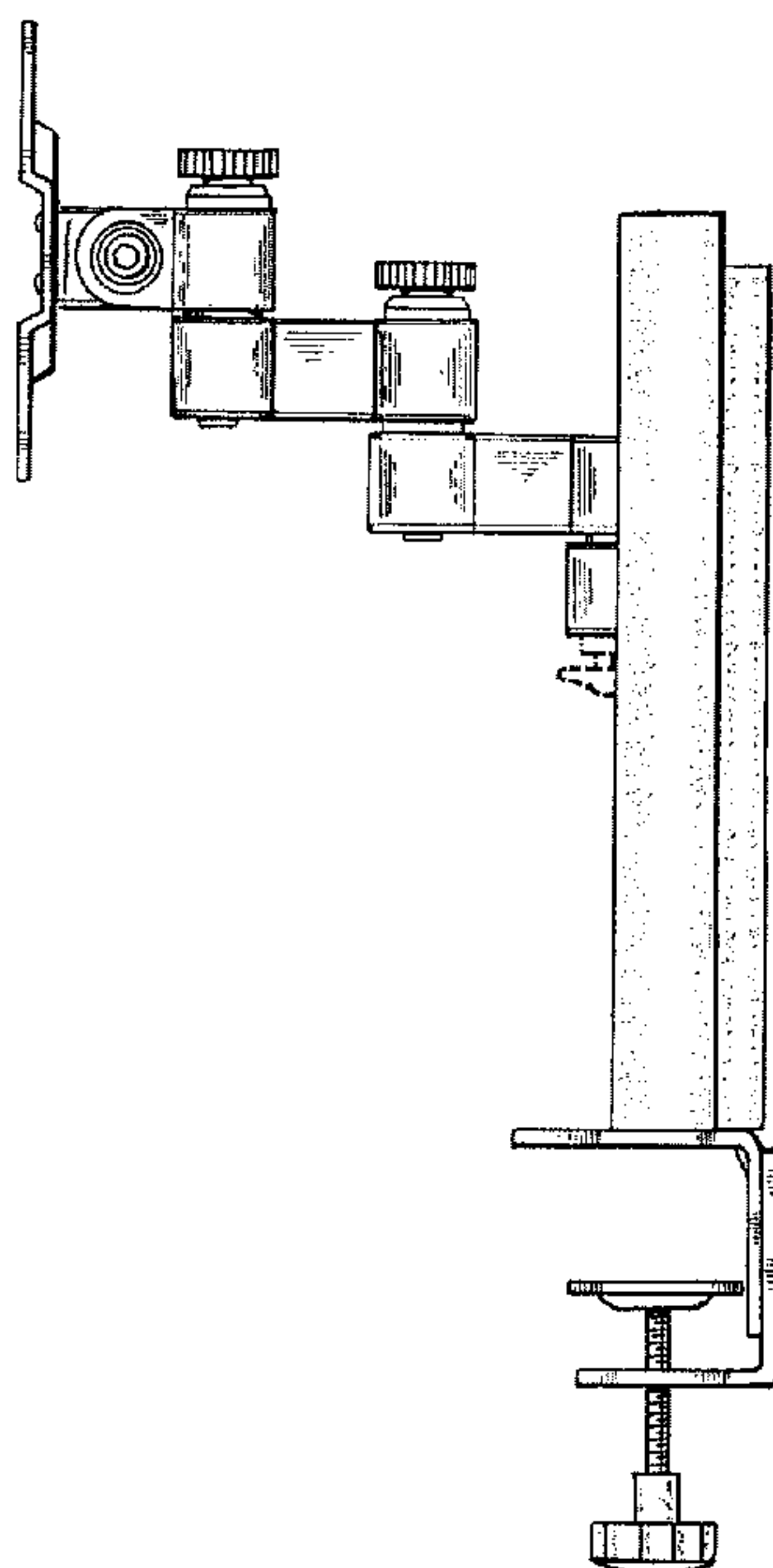
The ornamental design for a table mount for flat panel electronic display, as shown and described.

DESCRIPTION

- FIG. 1 is a right side view of our design for a table mount for flat panel electronic display;
- FIG. 2 is a rear view thereof;
- FIG. 3 is a front view thereof;
- FIG. 4 is a left side view thereof;
- FIG. 5 is a bottom view thereof;
- FIG. 6 is a front perspective view thereof; and,
- FIG. 7 is a top view thereof.

The broken lines shown on the drawings is included for the purpose of illustration and forms no part of the claimed design.

1 Claim, 4 Drawing Sheets



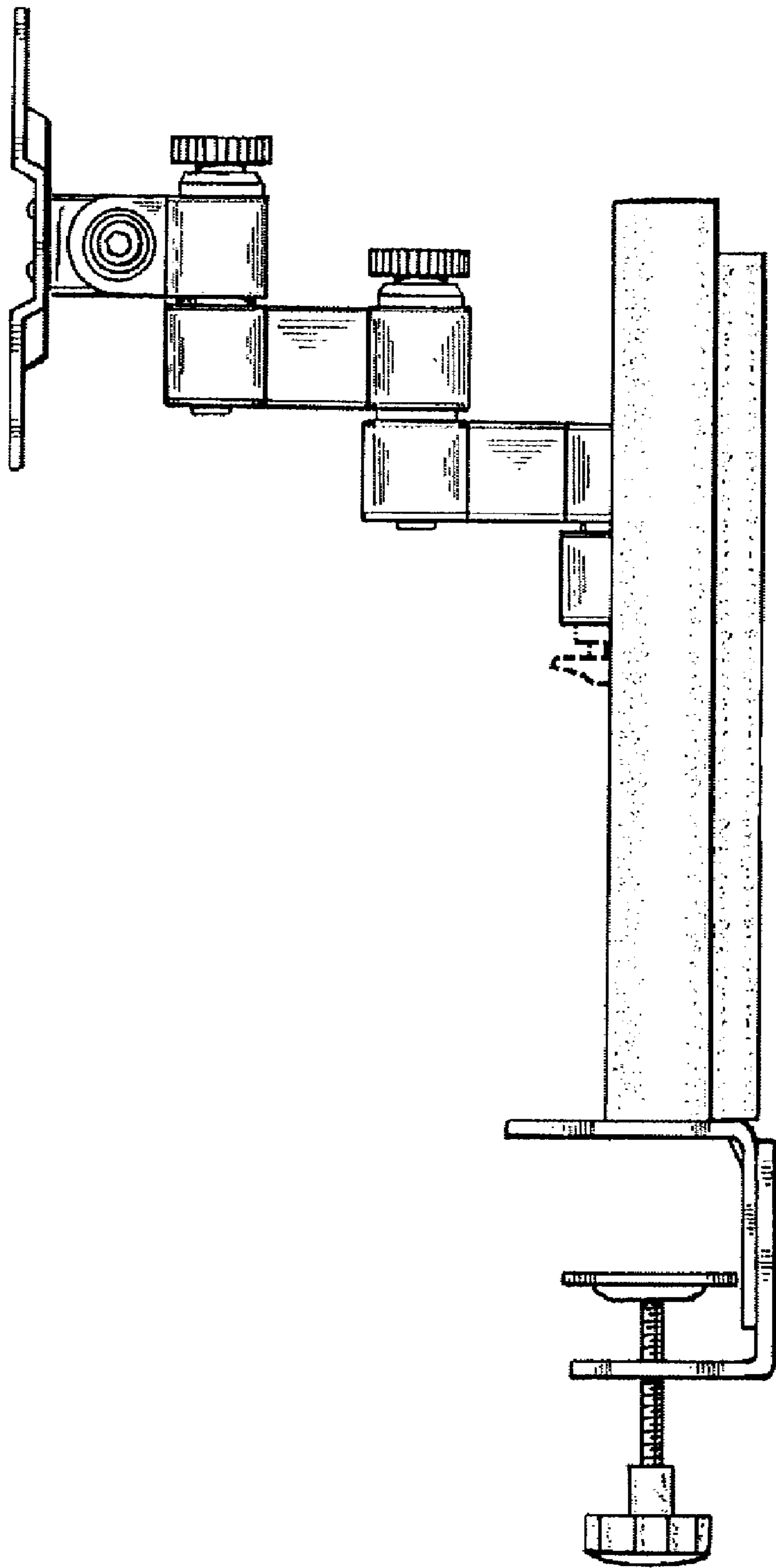


Fig. 1.

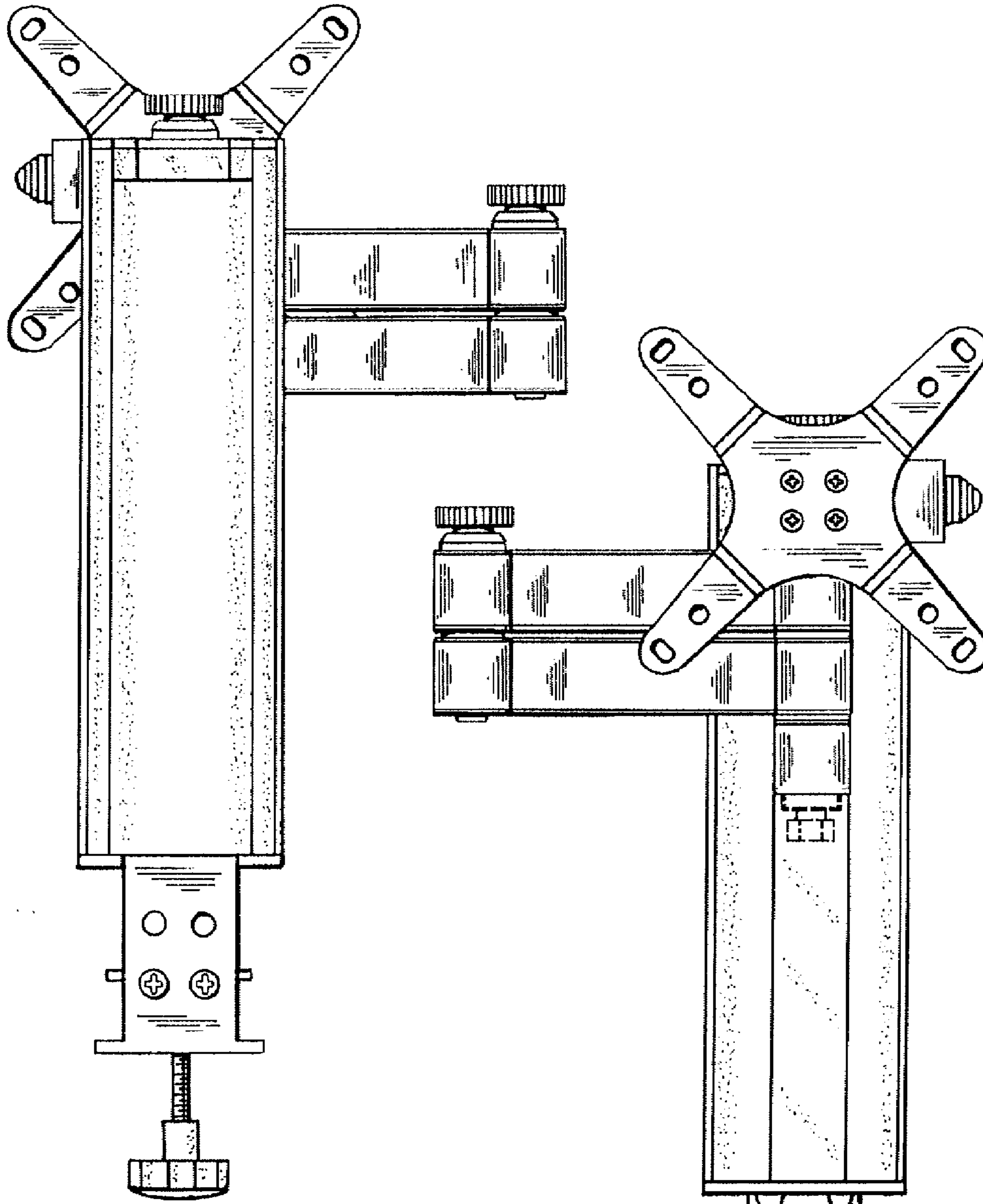


Fig. 2.

Fig. 3.

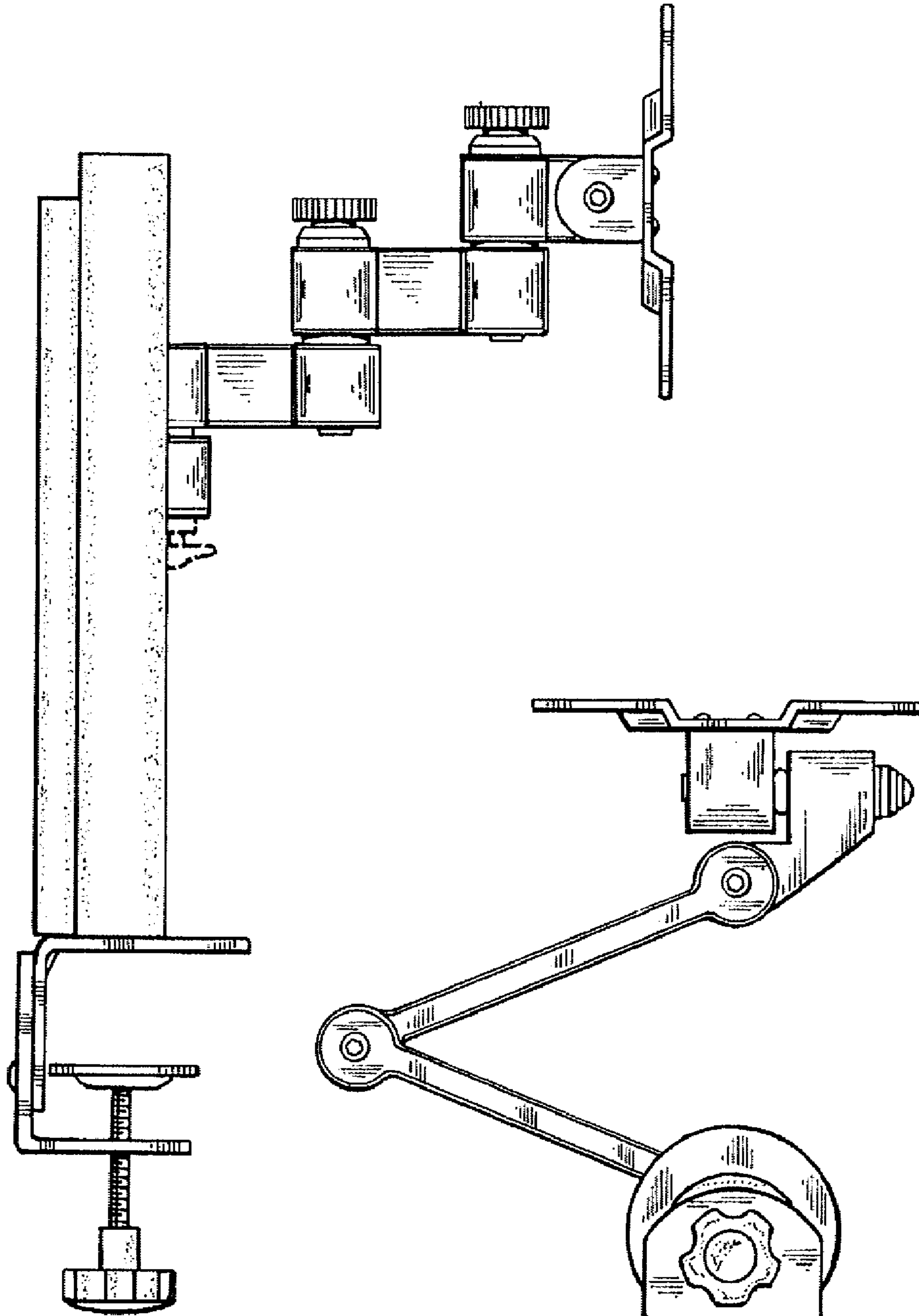


Fig. 4.

Fig. 5.

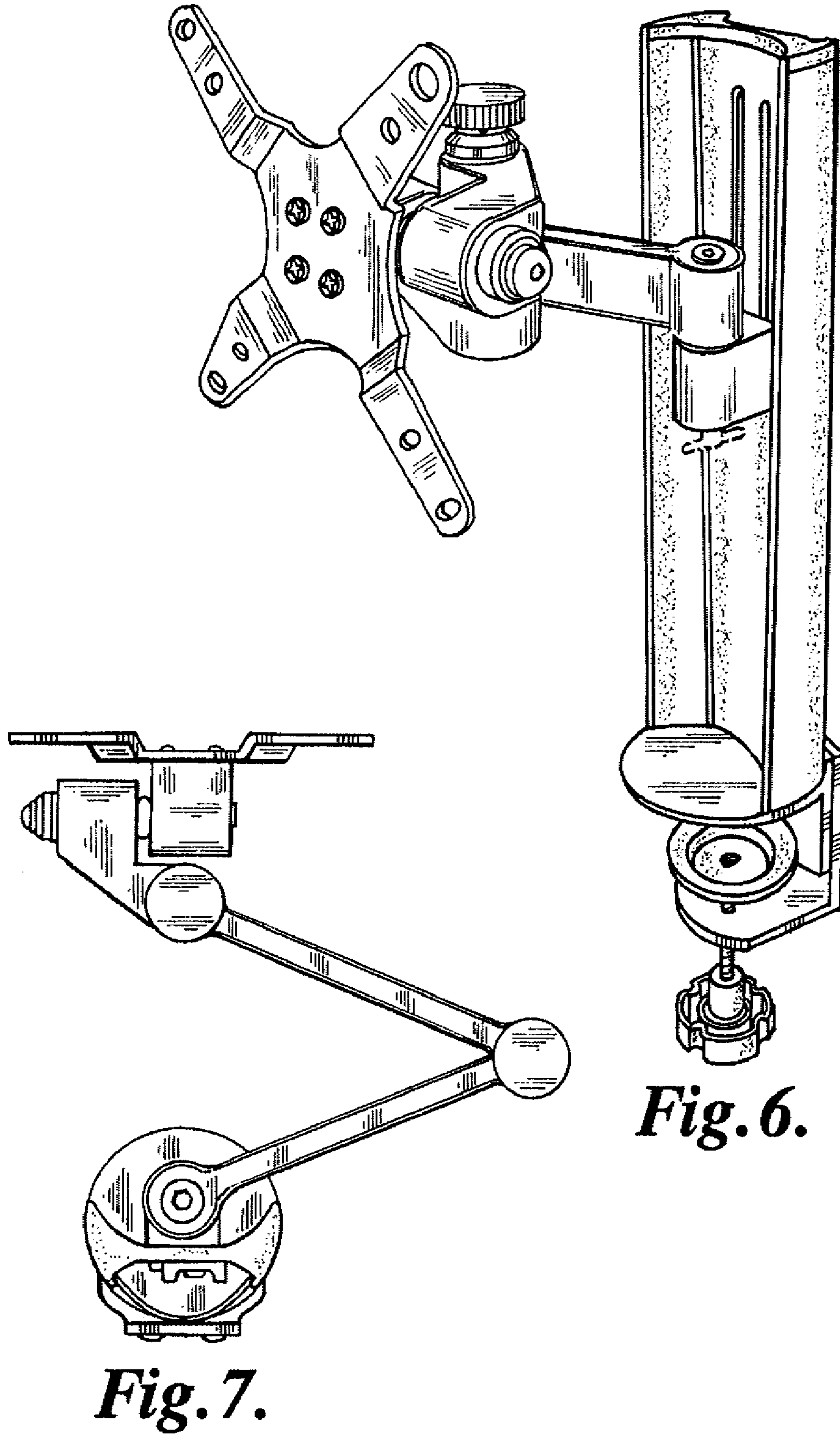


Fig. 6.

Fig. 7.