

US00D563398S

(12) **United States Design Patent** (10) **Patent No.:** **US D563,398 S**
Wohlford et al. (45) **Date of Patent:** **** Mar. 4, 2008**

(54) **TABLE MOUNT FOR FLAT PANEL ELECTRONIC DISPLAY**

(75) Inventors: **Jim Wohlford**, Edina, MN (US); **Joel Pfister**, Golden Valley, MN (US); **Dominic Grey**, Blaine, MN (US); **Stuart Bulcraig**, Auckland (NZ)

(73) Assignee: **CSAV, Inc.**, Savage, MN (US)

(**) Term: **14 Years**

(21) Appl. No.: **29/262,222**

(22) Filed: **Jan. 4, 2006**

(51) **LOC (8) Cl.** **14-03**

(52) **U.S. Cl.** **D14/239**

(58) **Field of Classification Search** D14/239, D14/451-454, 224, 316, 375-377, 432, 439, D14/447, 448, 455, 457, 469; D8/363, 373, D8/349, 394; 248/278.1, 279.1, 514, 291.1, 248/125.1, 121, 124.1, 125.7, 276.1, 415, 248/284.1, 286.1, 281.11, 292.11, 181.2, 248/917-921, 126-128, 133, 178.1, 183.1, 248/183.2, 346.01, 346.03, 349.1, 371, 473, 248/474, 512; 348/825, 827, 836, 837; 600/443
See application file for complete search history.

(56) **References Cited**

U.S. PATENT DOCUMENTS

5,279,488	A *	1/1994	Fleming	248/279.1
6,394,403	B1 *	5/2002	Hung	248/276.1
6,409,134	B1	6/2002	Oddsens, Jr.		
6,695,270	B1 *	2/2004	Smed	248/274.1
6,736,364	B2 *	5/2004	Oddsens, Jr.	248/585
6,769,657	B1 *	8/2004	Huang	248/278.1
D495,714	S	9/2004	Pfister		

D496,367	S	9/2004	Pfister		
6,874,743	B2	4/2005	Watanabe et al.		
D507,477	S	7/2005	Pfister		
7,028,961	B1	4/2006	Dittmer et al.		
D546,459	S *	7/2007	Banryu	D24/186
2004/0159757	A1	8/2004	Pfister		
2006/0022102	A1	2/2006	Dittmer		

OTHER PUBLICATIONS

U.S. Appl. No. 29/237,995, filed Sep. 9, 2005, Pribyl.

* cited by examiner

Primary Examiner—Raphael Barkai

Assistant Examiner—Randall H Gholson

(74) *Attorney, Agent, or Firm*—Patterson, Thuente, Skaar & Christensen, PA

(57) **CLAIM**

The ornamental design for a table mount for flat panel electronic display, as shown and described.

DESCRIPTION

FIG. 1 is a rear perspective view of our design for a table mount for flat panel electronic display;

FIG. 2 is a top view thereof;

FIG. 3 is a bottom view thereof;

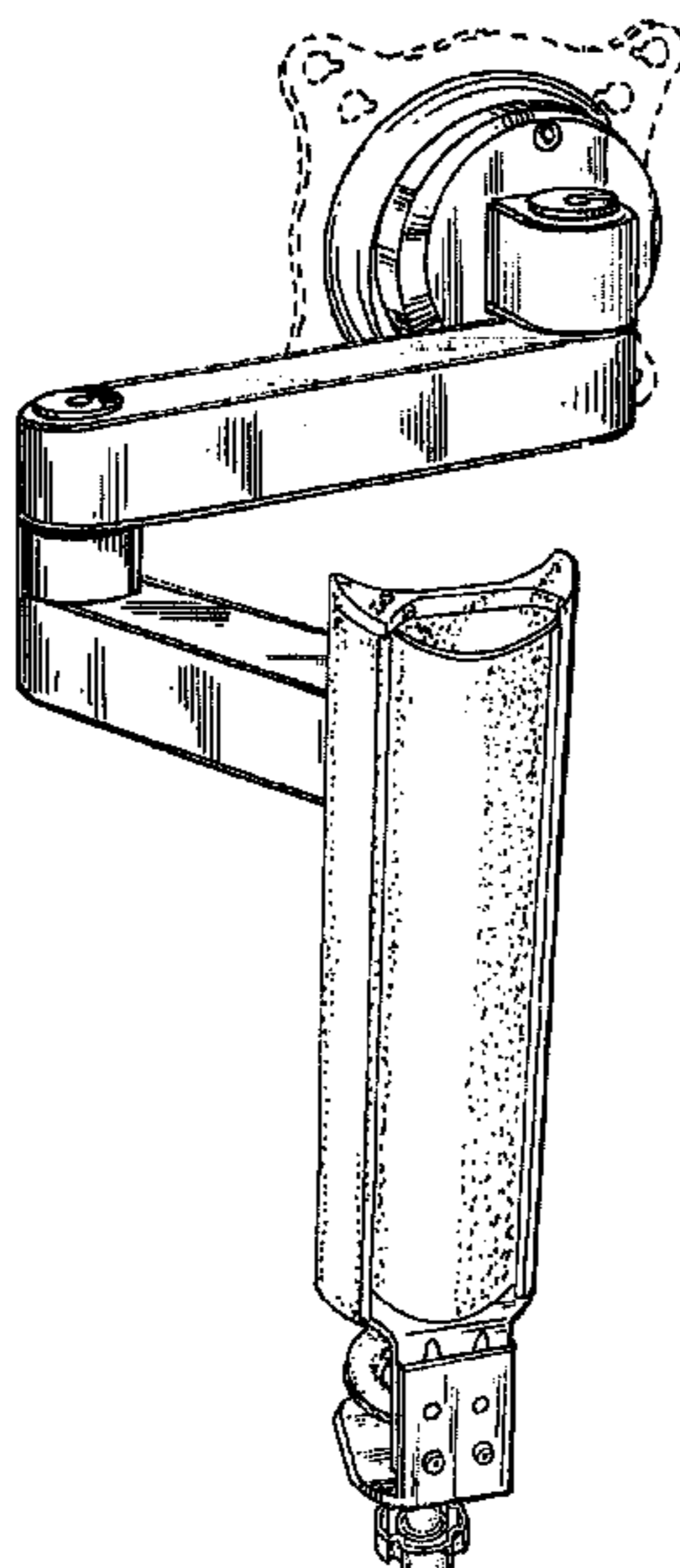
FIG. 4 is a right side view thereof, the left side being a mirror image thereof;

FIG. 5 is a front view thereof; and,

FIG. 6 is a rear view thereof.

The broken lines shown on the drawings is included for the purpose of illustration and forms no part of the claimed design.

1 Claim, 4 Drawing Sheets



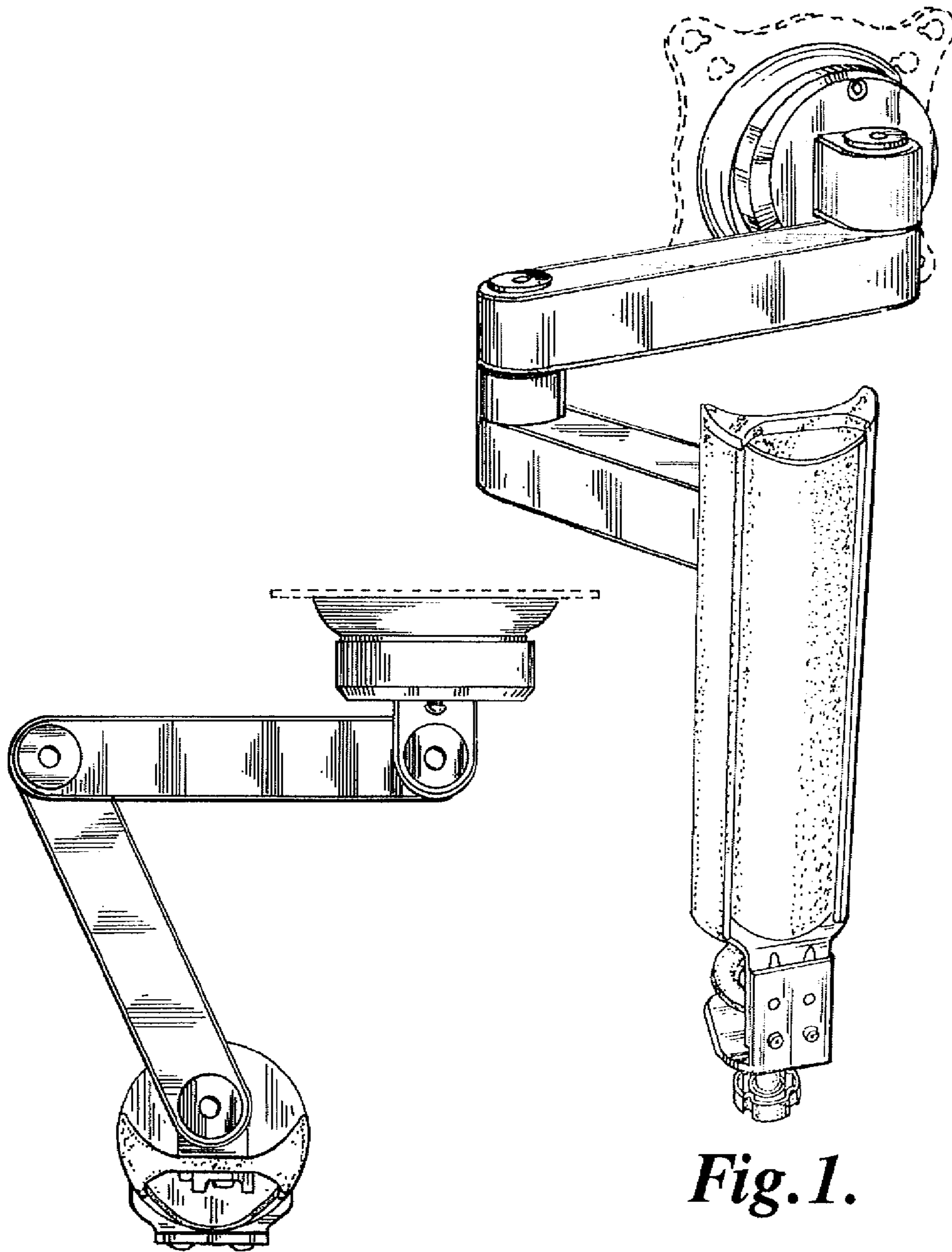


Fig. 2.

Fig. 1.

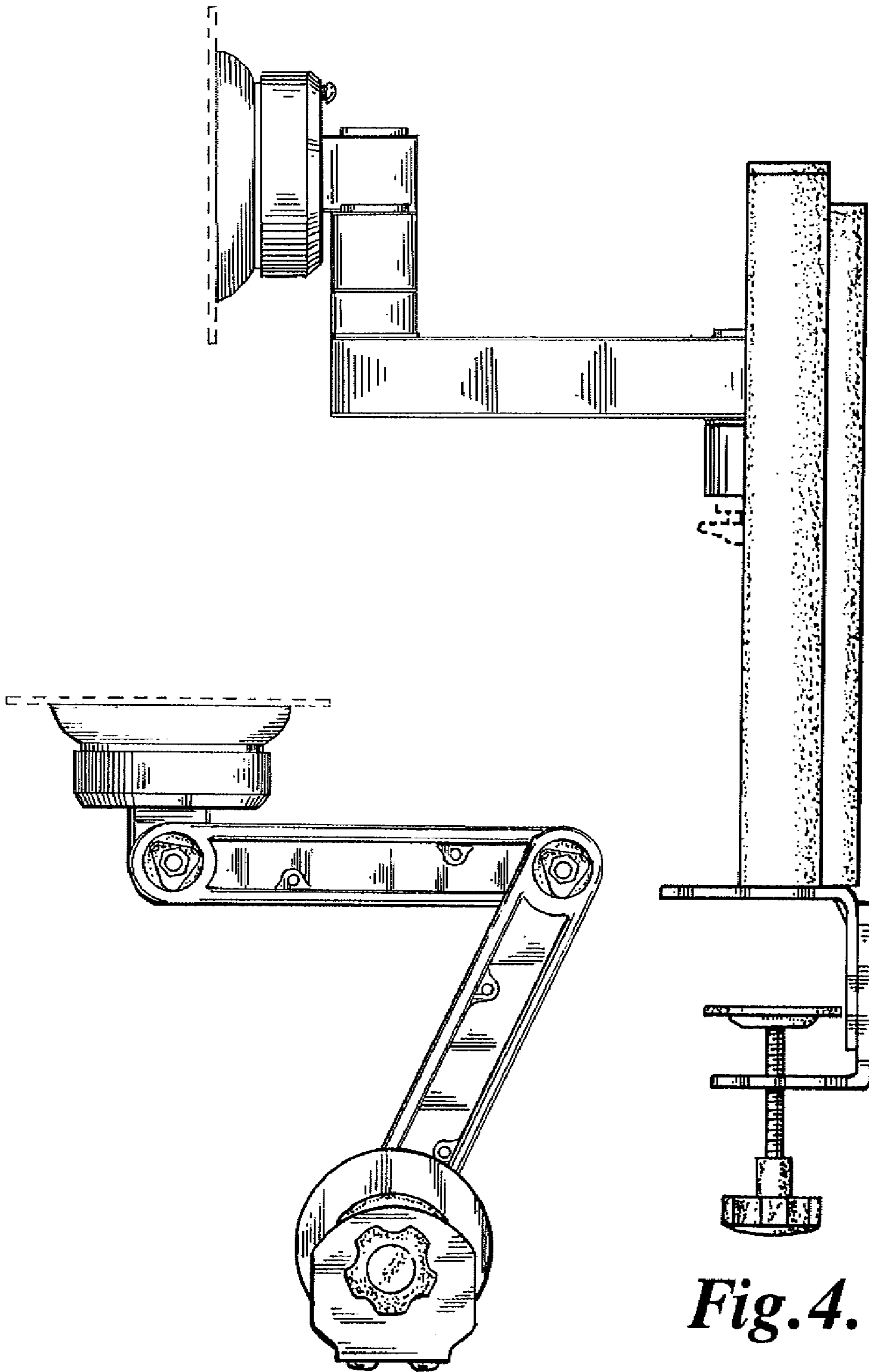


Fig. 3.

Fig. 4.

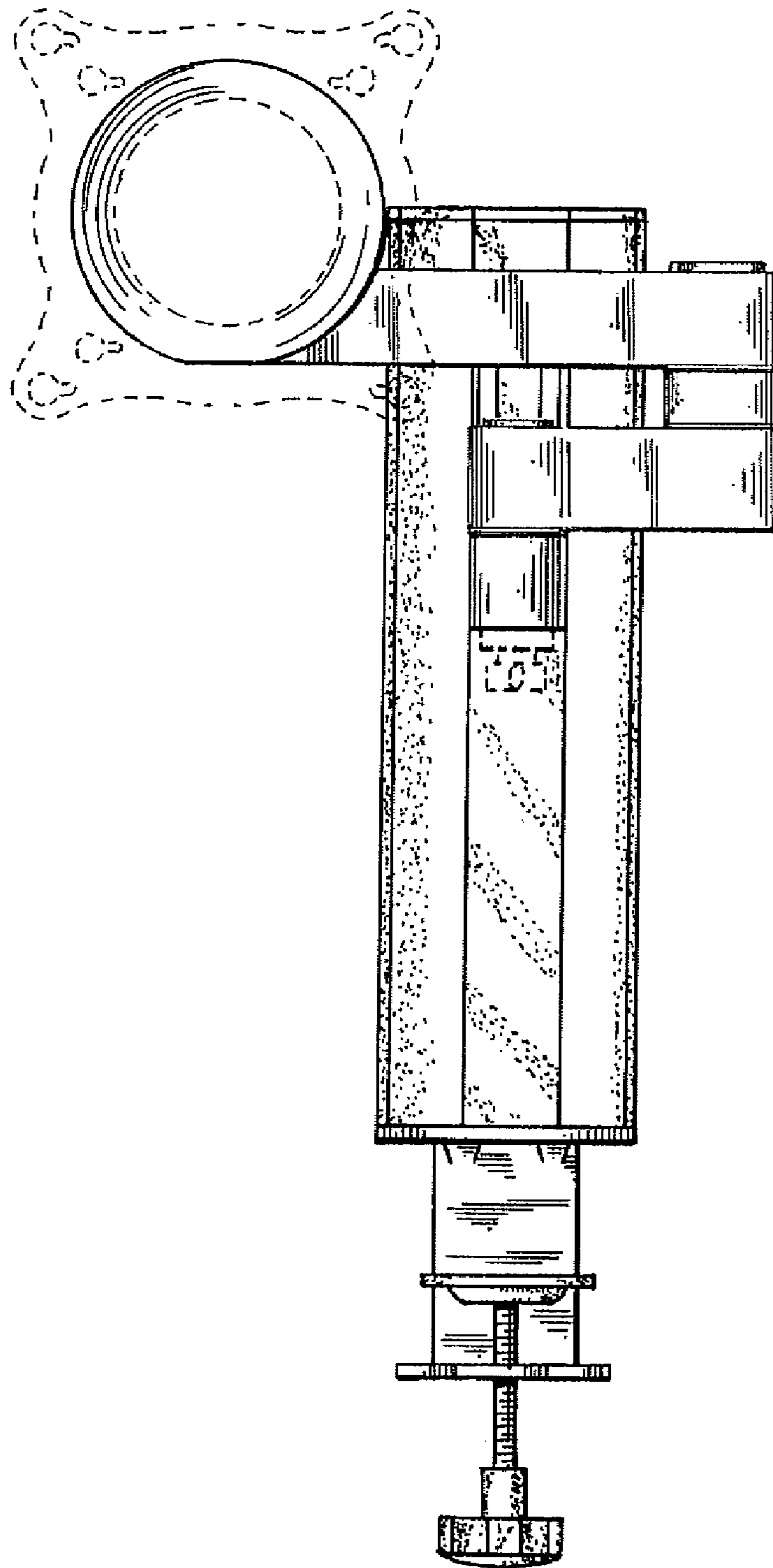


Fig. 5.

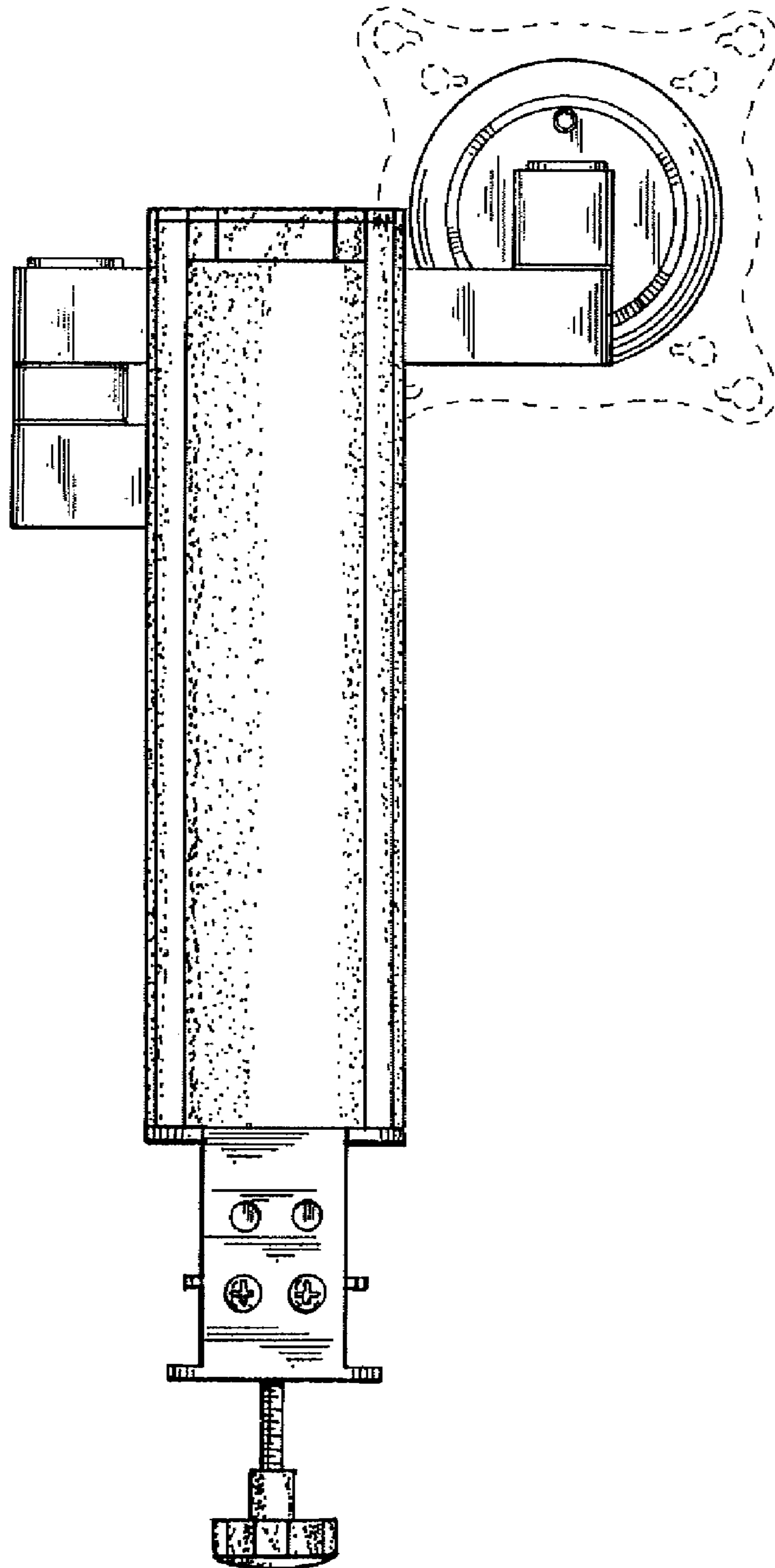


Fig. 6.