



US00D563396S

(12) **United States Design Patent**
Probst et al.

(10) **Patent No.:** **US D563,396 S**

(45) **Date of Patent:** **** Mar. 4, 2008**

(54) **MICROPHONE**

(75) Inventors: **Eli Gregory Probst**, Calabasas, CA (US); **Todd Metlen**, Ojai, CA (US); **Bernard Wise**, Agoura, CA (US)

(73) Assignee: **Baltic Latvian Universal Electronics**, Westlake Village, CA (US)

(**) Term: **14 Years**

(21) Appl. No.: **29/262,313**

(22) Filed: **Jun. 30, 2006**

(51) **LOC (8) Cl.** **14-01**

(52) **U.S. Cl.** **D14/228**

(58) **Field of Classification Search** D14/225-229;
D21/513; 181/242; 381/177, 189, 354-359,
381/360-365

See application file for complete search history.

(56) **References Cited**

U.S. PATENT DOCUMENTS

- D213,567 S * 3/1969 Kahn D14/228
- D218,315 S * 8/1970 Rusch D14/228
- D233,669 S * 11/1974 Plice D14/228
- D247,707 S * 4/1978 Armstrong D14/228

- D253,468 S * 11/1979 Peterson D14/228
- D313,802 S * 1/1991 Peiker D14/227
- 6,219,429 B1 * 4/2001 Chung 381/363
- 6,671,382 B2 * 12/2003 Chen 381/355

* cited by examiner

Primary Examiner—Paula A. Greene

(74) *Attorney, Agent, or Firm*—Philip T. Virga

(57) **CLAIM**

The ornamental design for a microphone, as shown and described.

DESCRIPTION

FIG. 1 is a perspective front view of a microphone showing my new design;

FIG. 2 is a left side view thereof;

FIG. 3 is a right side view thereof;

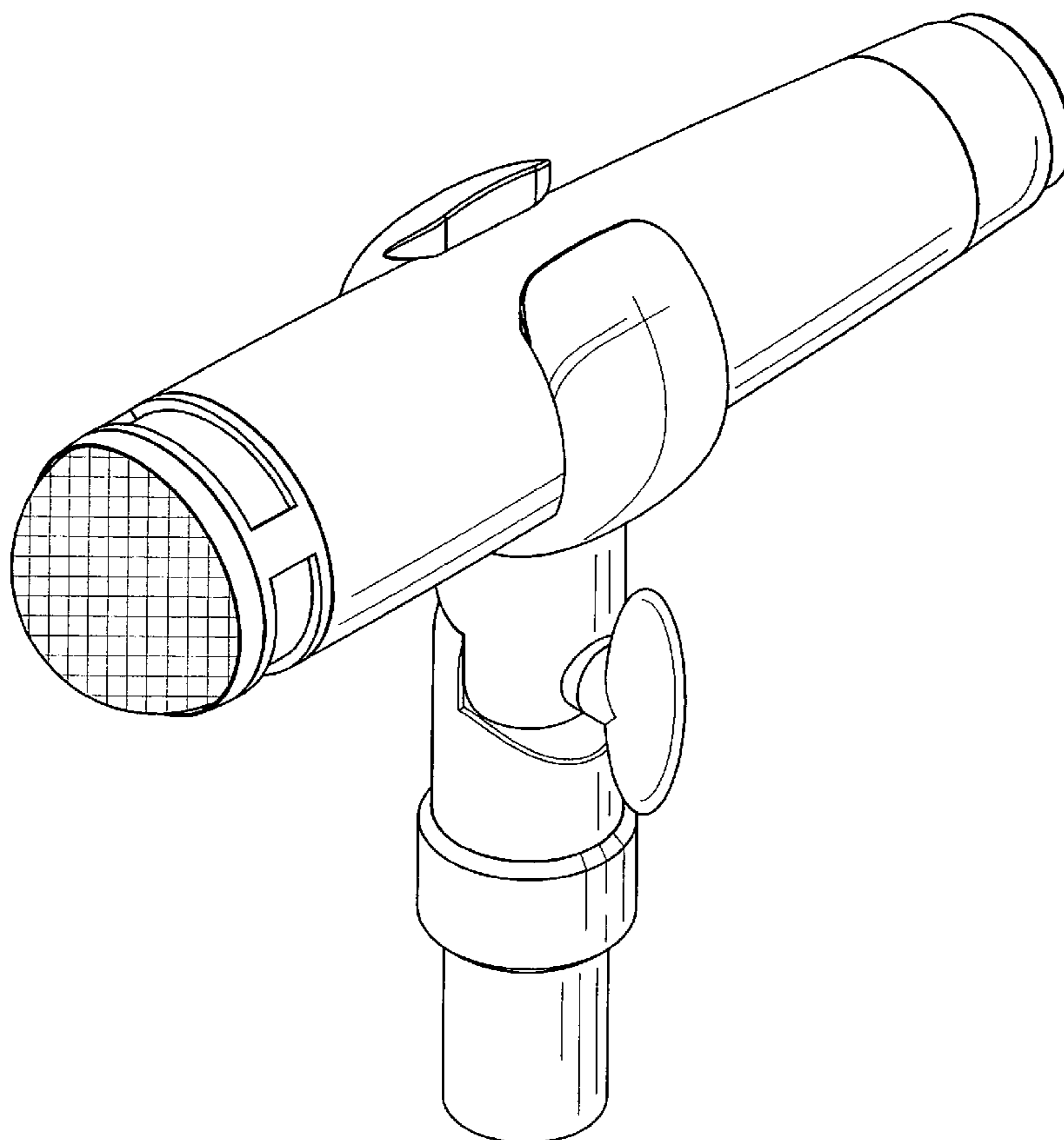
FIG. 4 is a front view thereof;

FIG. 5 is a back view thereof;

FIG. 6 is a bottom view thereof; and,

FIG. 7 is a top view thereof.

1 Claim, 4 Drawing Sheets



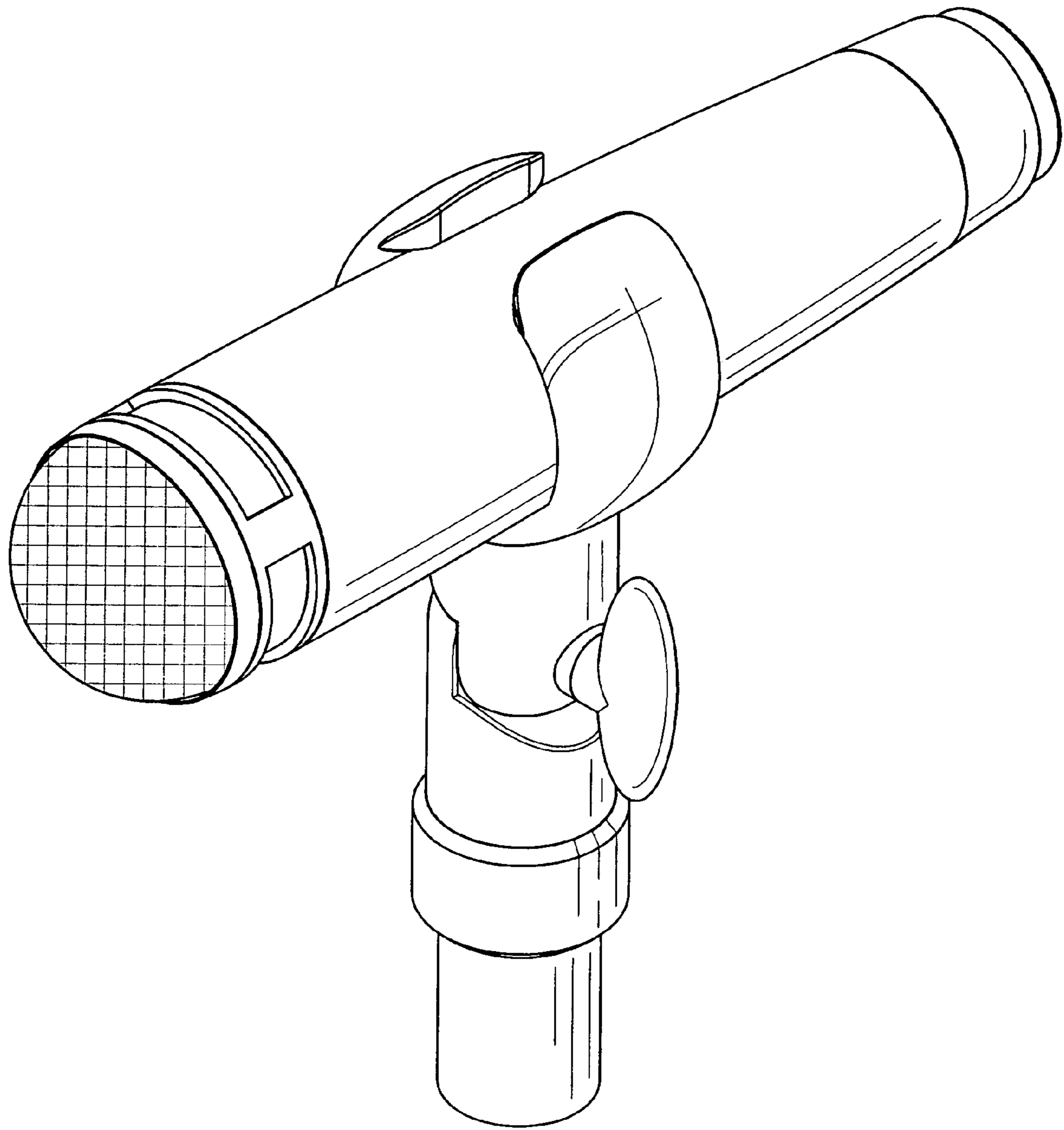


FIG. 1

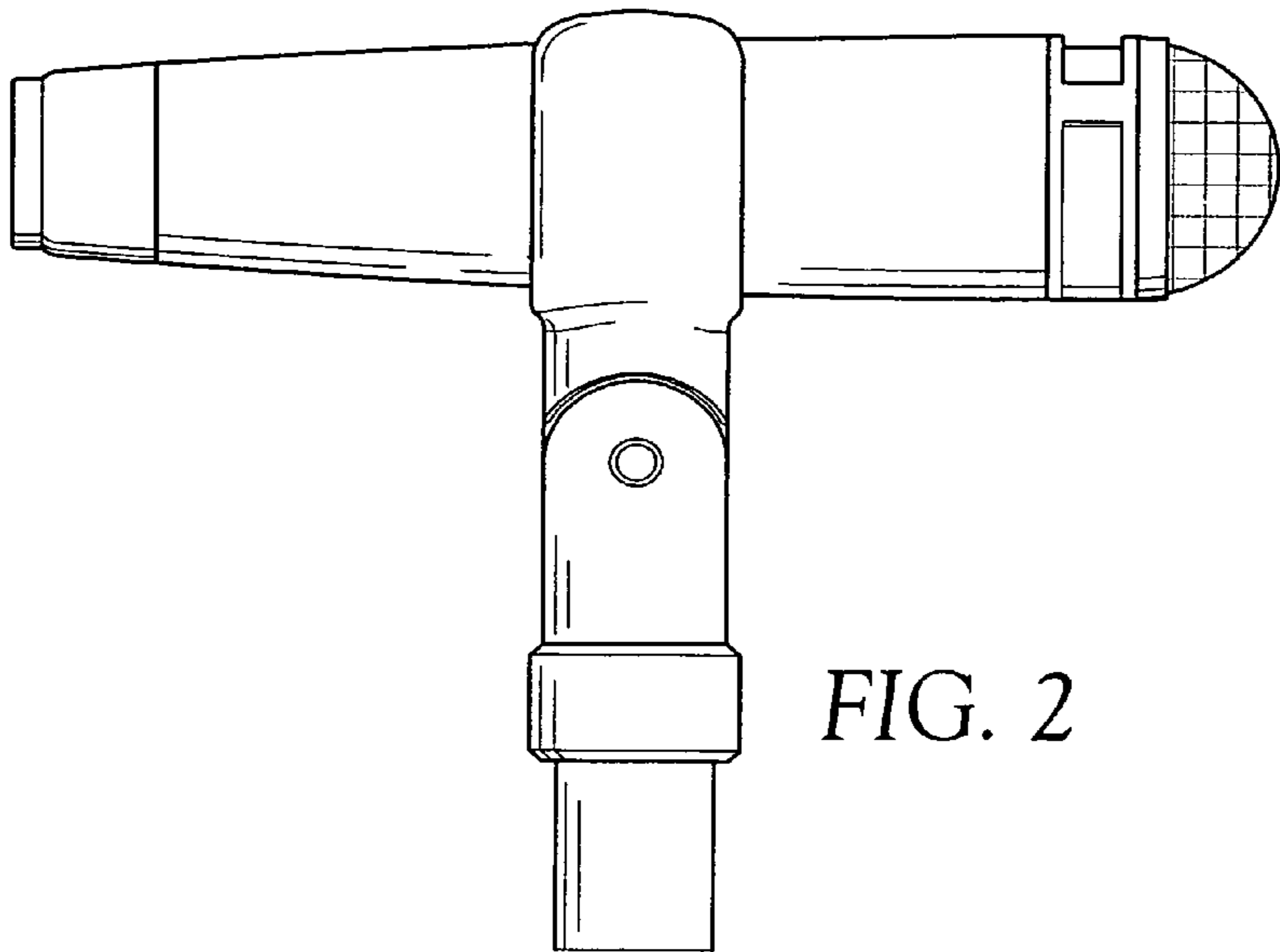


FIG. 2

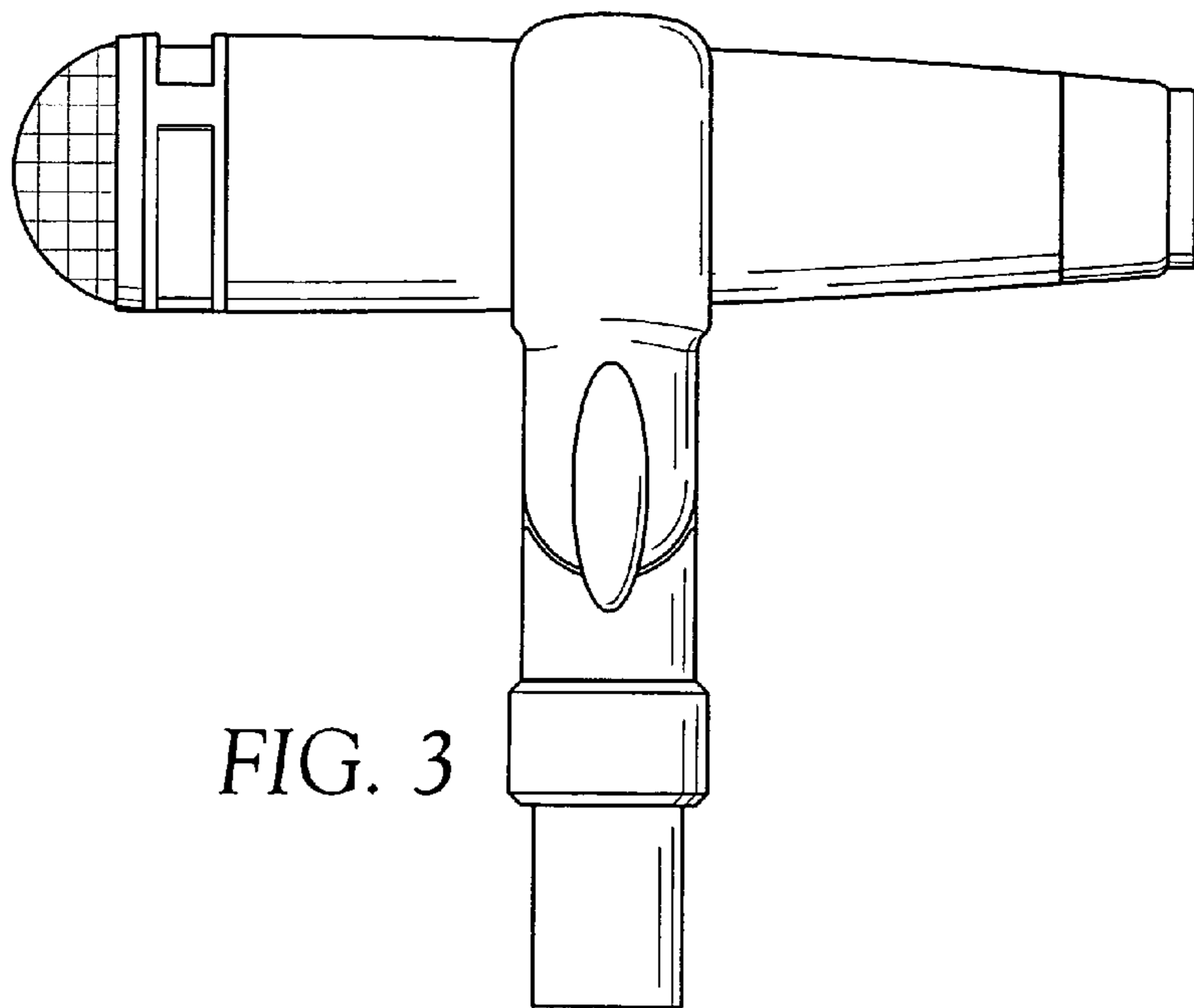


FIG. 3

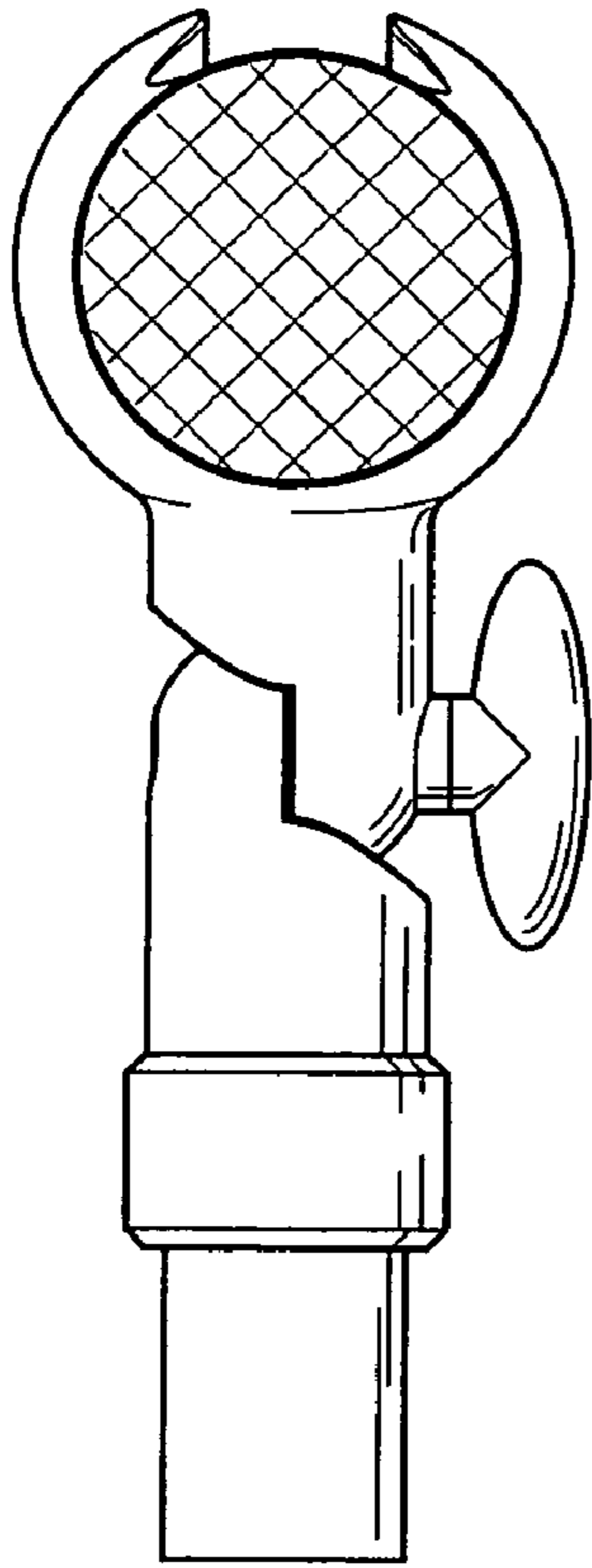


FIG. 4

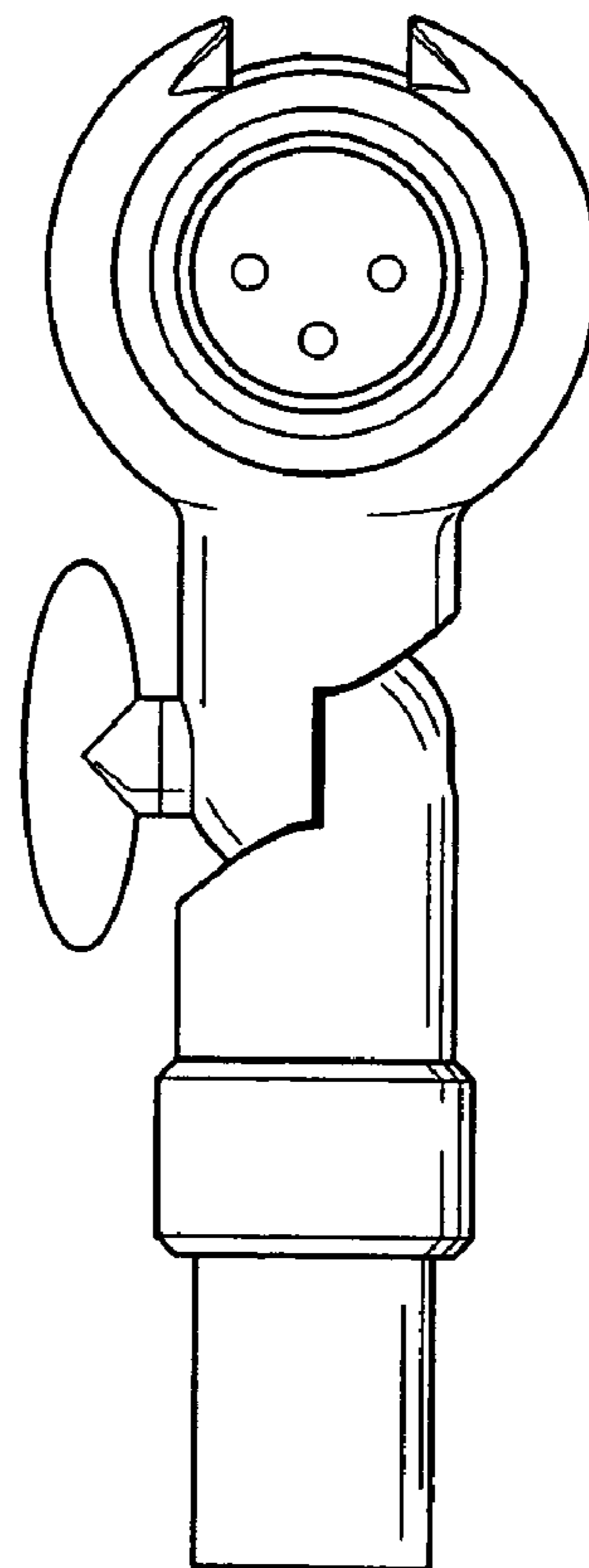


FIG. 5

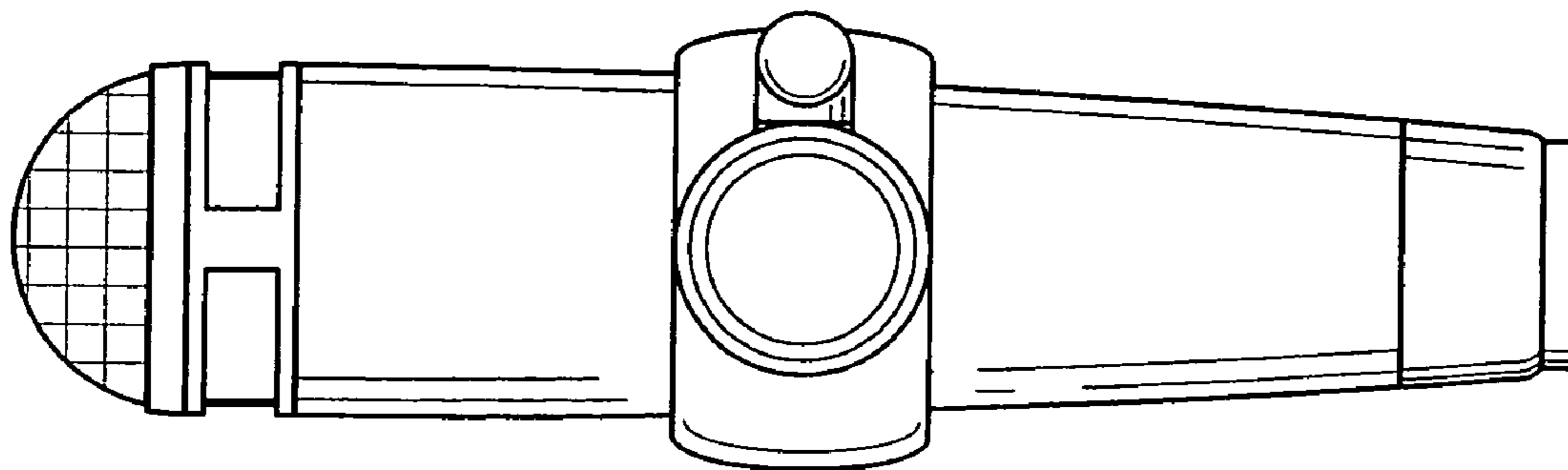


FIG. 6

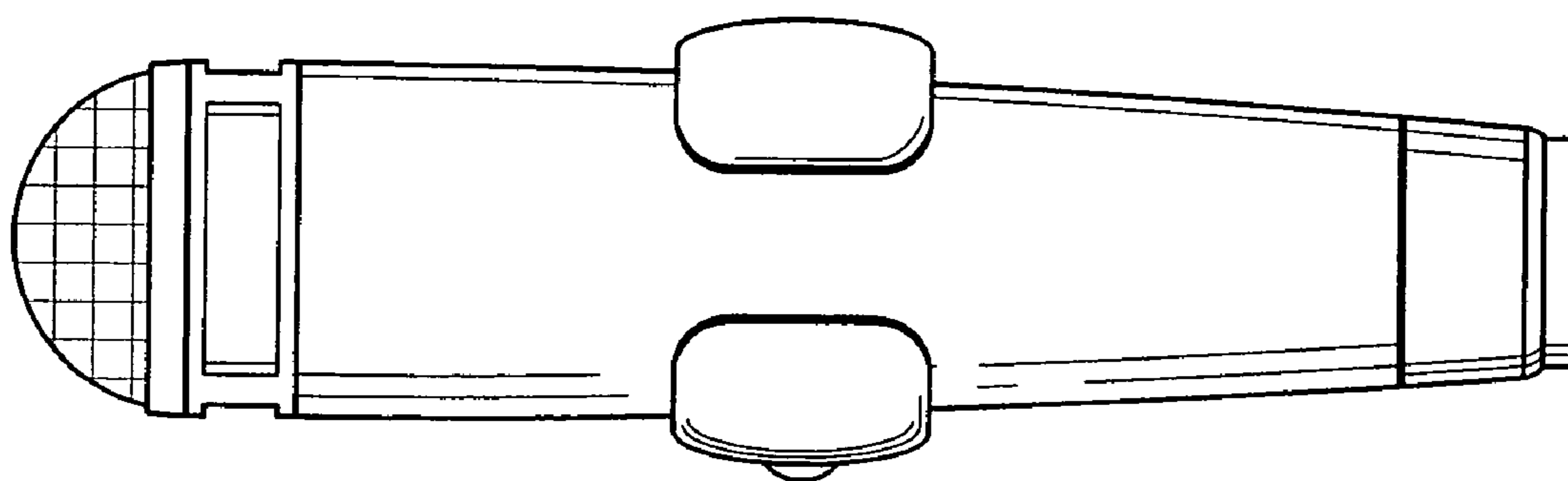


FIG. 7