



US00D563394S

(12) **United States Design Patent**  
**Donaldson et al.**

(10) **Patent No.:** **US D563,394 S**  
(45) **Date of Patent:** **\*\* Mar. 4, 2008**

(54) **SET OF EARPHONES**

(75) Inventors: **Mark Donaldson**, Newmarket (NZ);  
**Damien Olivier Givernet**, Mt. Eden  
(NZ); **Mathew Robert Brent**, Mt.  
Wellington (NZ); **Edward Scholten**,  
Newmarket (NZ)

(73) Assignee: **Phitek Systems Limited** (NZ)

(\*\*) Term: **14 Years**

(21) Appl. No.: **29/265,067**

(22) Filed: **Aug. 24, 2006**

(51) **LOC (8) Cl.** ..... **14-01**

(52) **U.S. Cl.** ..... **D14/223**

(58) **Field of Classification Search** ..... D14/205–206,  
D14/218, 223, 248, 142, 188, 192; D24/106,  
D24/174; 181/128–130; 381/322, 324,  
381/323, 328; 379/430–431, 433; 455/151.1–151,  
455/153.1, 353–355; 128/864

See application file for complete search history.

(56) **References Cited**

**U.S. PATENT DOCUMENTS**

2,719,523	A *	10/1955	Von Gierke	128/864
3,197,576	A *	7/1965	Martin	381/322
D410,466	S *	6/1999	Mouri	D14/205
D464,949	S *	10/2002	DeKalb et al.	D14/218
D470,123	S *	2/2003	Hlas et al.	D14/205
D510,574	S *	10/2005	Okada	D14/223
D517,053	S *	3/2006	Ham	D14/223
D529,901	S *	10/2006	Ohta	D14/223
D539,268	S *	3/2007	Suzuki	D14/206
7,221,768	B2 *	5/2007	Sjursen et al.	381/322

D543,972 S \* 6/2007 Taylor ..... D14/223

\* cited by examiner

*Primary Examiner*—Paula A. Greene

(74) *Attorney, Agent, or Firm*—Jackson Walker, LLP

(57) **CLAIM**

The ornamental design of a set of earphones, as shown and described.

**DESCRIPTION**

FIG. 1 is a bottom plan view of the left earphone of the set of earphones shown separately for purposes of illustration;

FIG. 2 is a bottom plan view of the right earphone of the set of earphones shown separately for purposes of illustration;

FIG. 3 is a top plan view of the left earphone thereof, shown separately for purposes of illustration;

FIG. 4 is a top plan view of the right earphone thereof, shown separately for purposes of illustration;

FIG. 5 is a rear elevational view of the left earphone thereof;

FIG. 6 is a rear elevational view of the right earphone thereof;

FIG. 7 is a front elevational view of a left earphone thereof;

FIG. 8 is a front elevational view of the right earphone thereof;

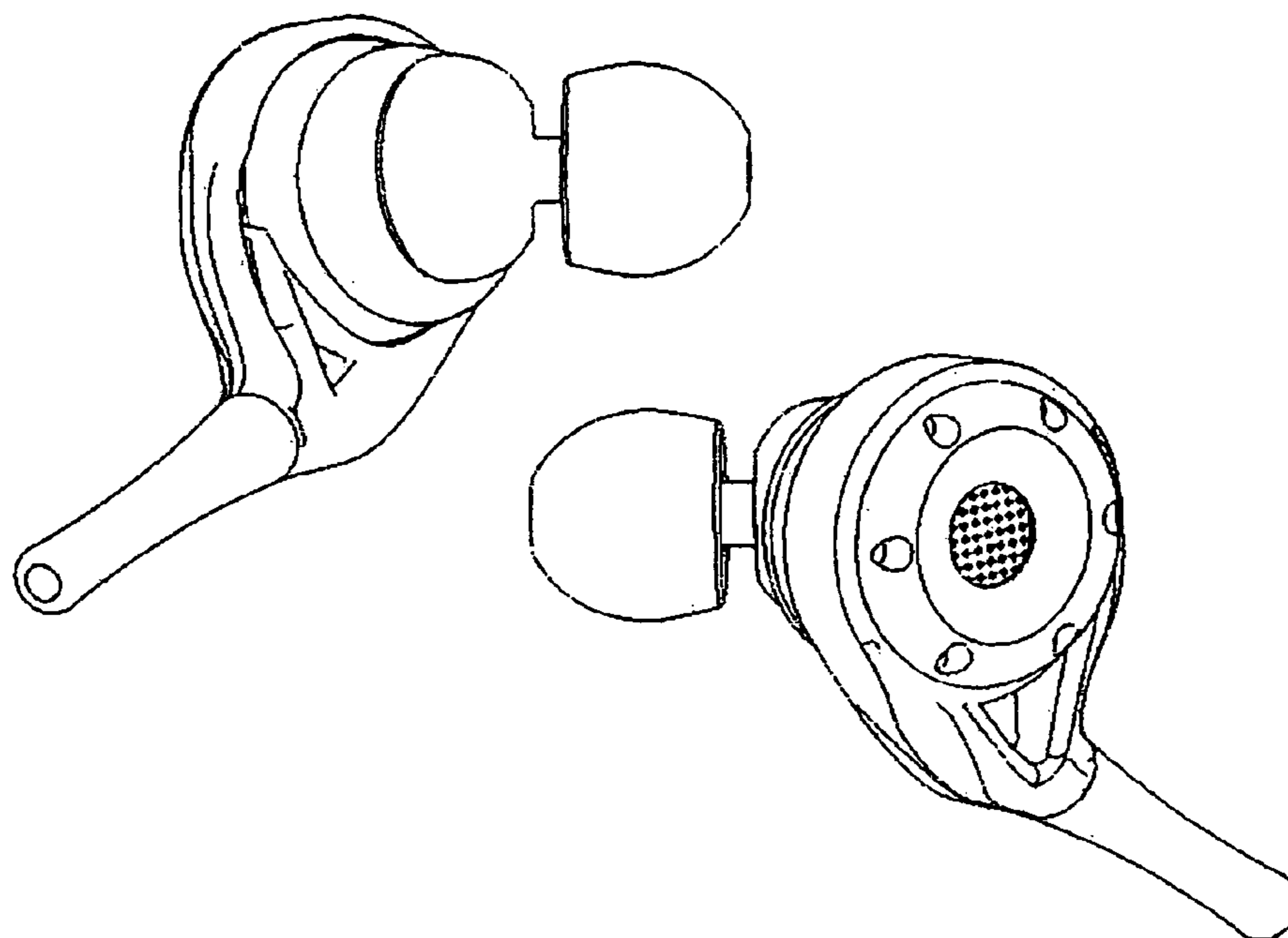
FIG. 9 is a front perspective view of the right earphone;

FIG. 10 is a front perspective view of the left earphone;

FIG. 11 is a front perspective view of the right earphone; and,

FIG. 12 is a rear perspective view of the left earphone.

**1 Claim, 3 Drawing Sheets**



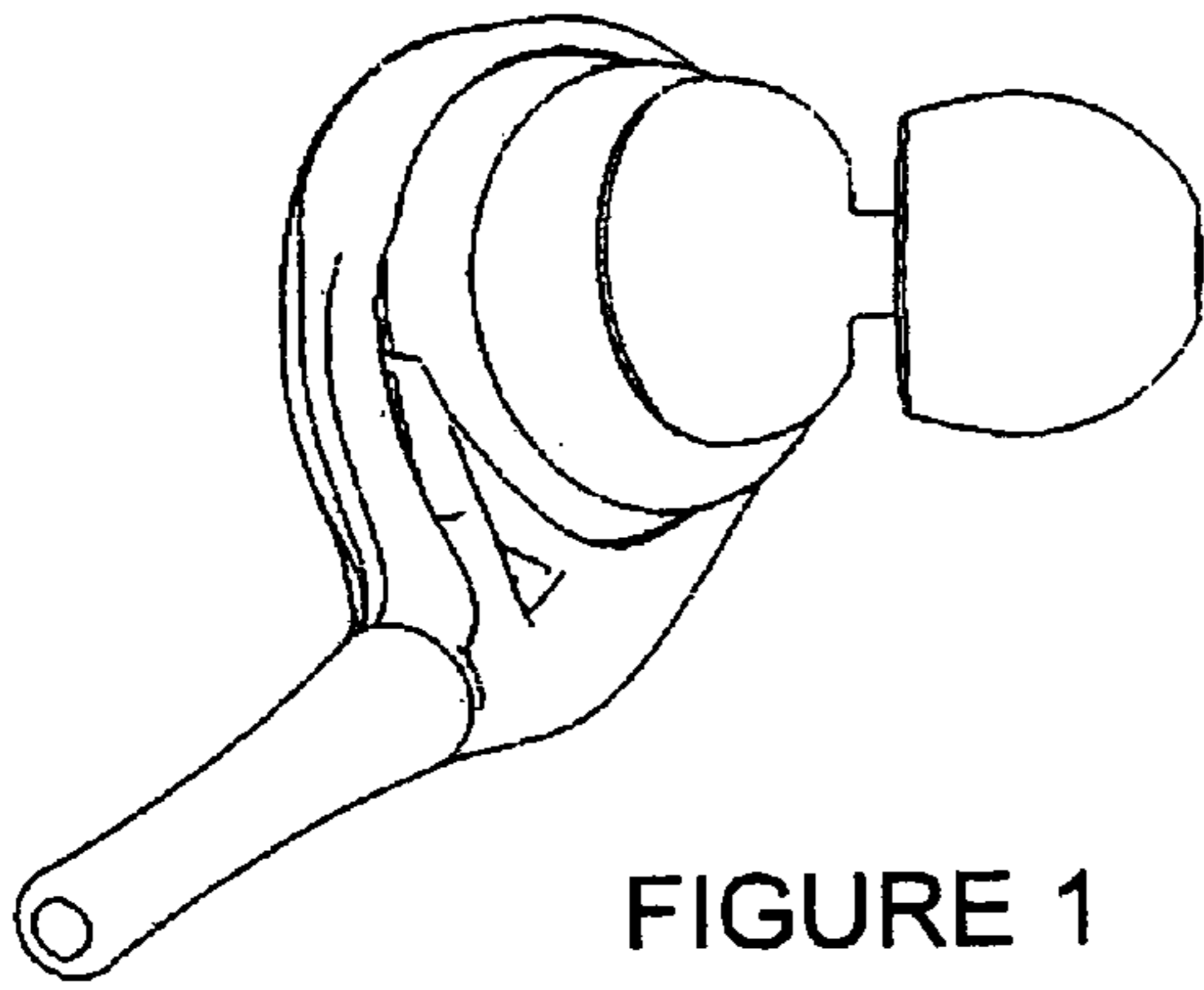


FIGURE 1

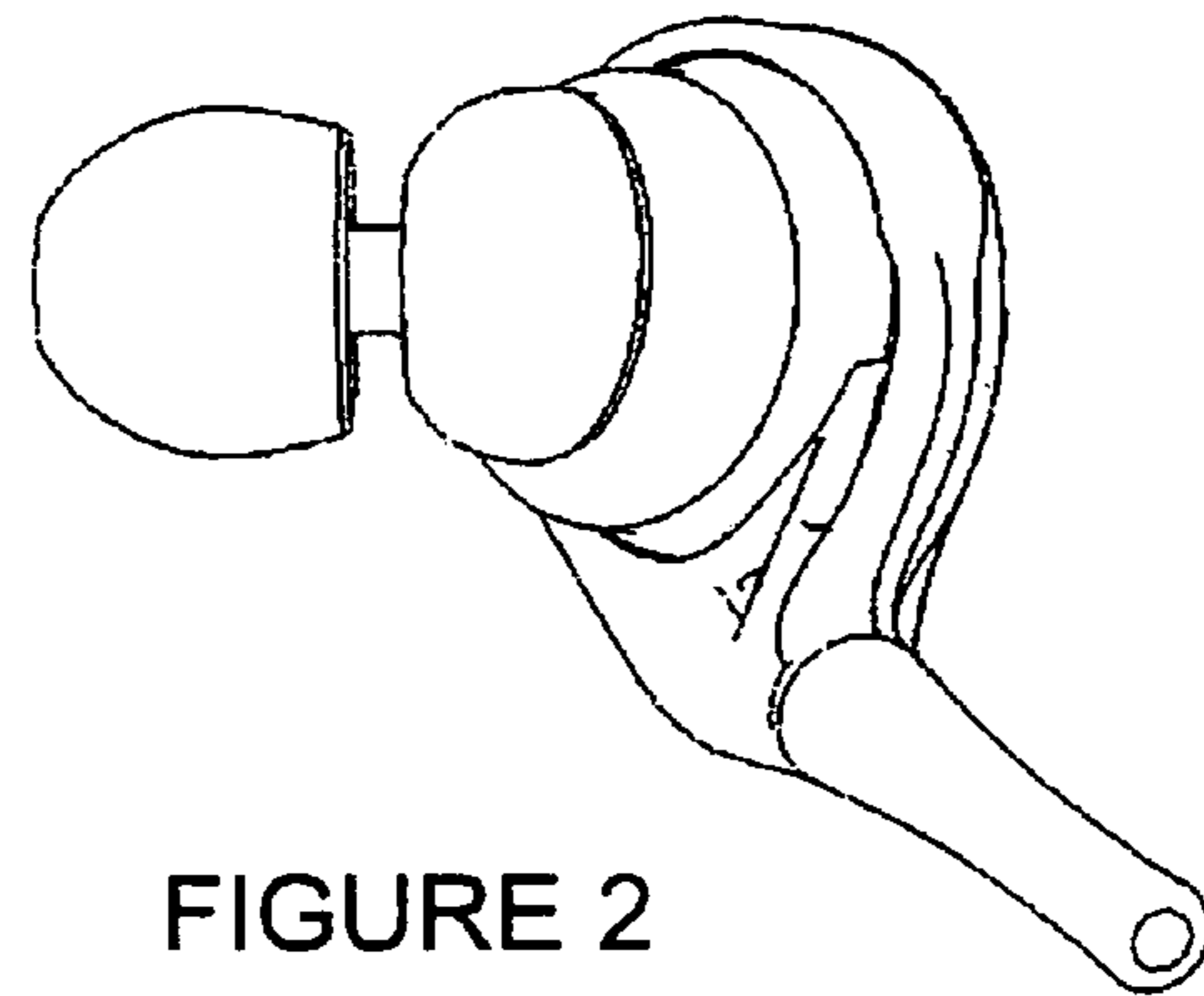


FIGURE 2

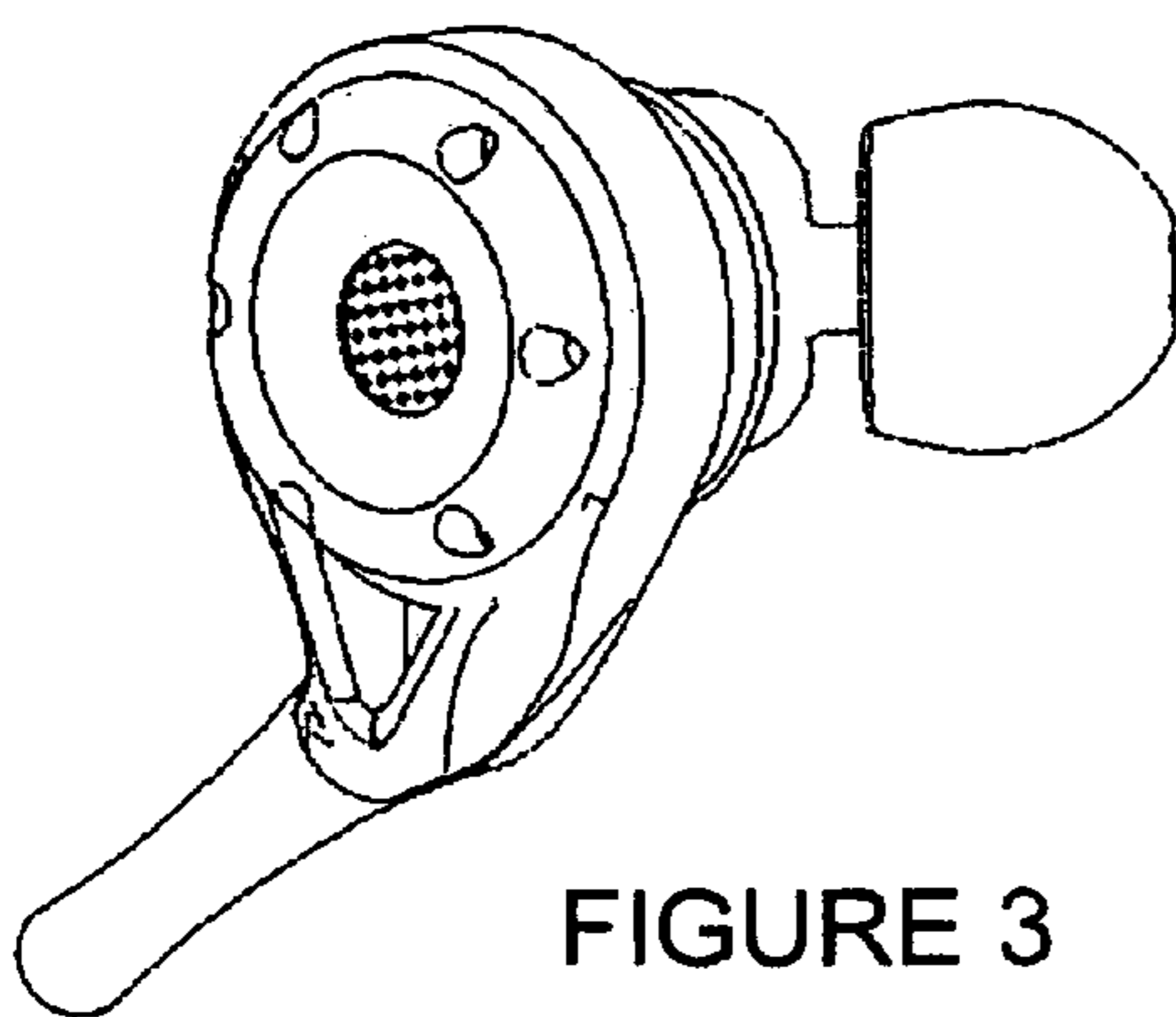


FIGURE 3

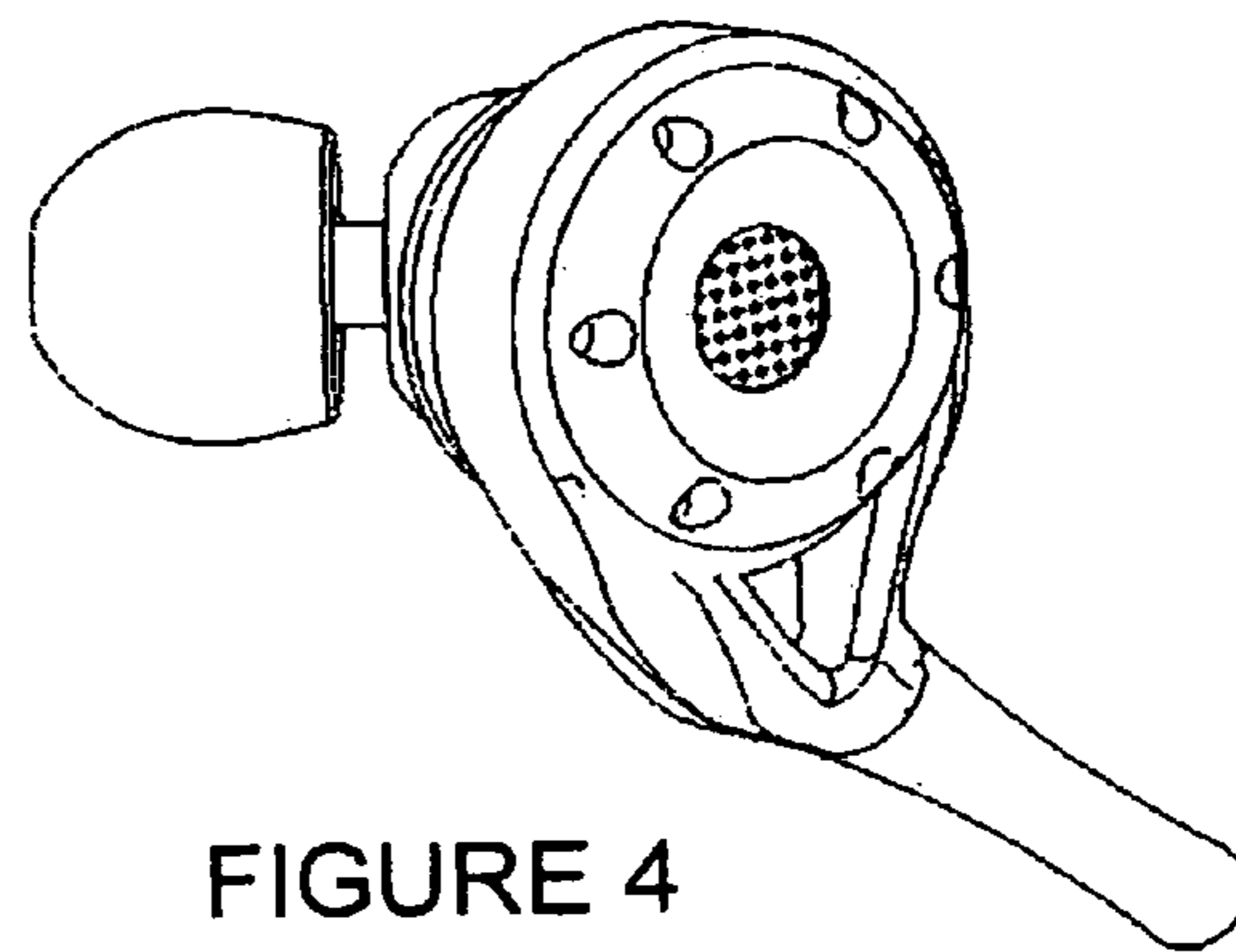


FIGURE 4

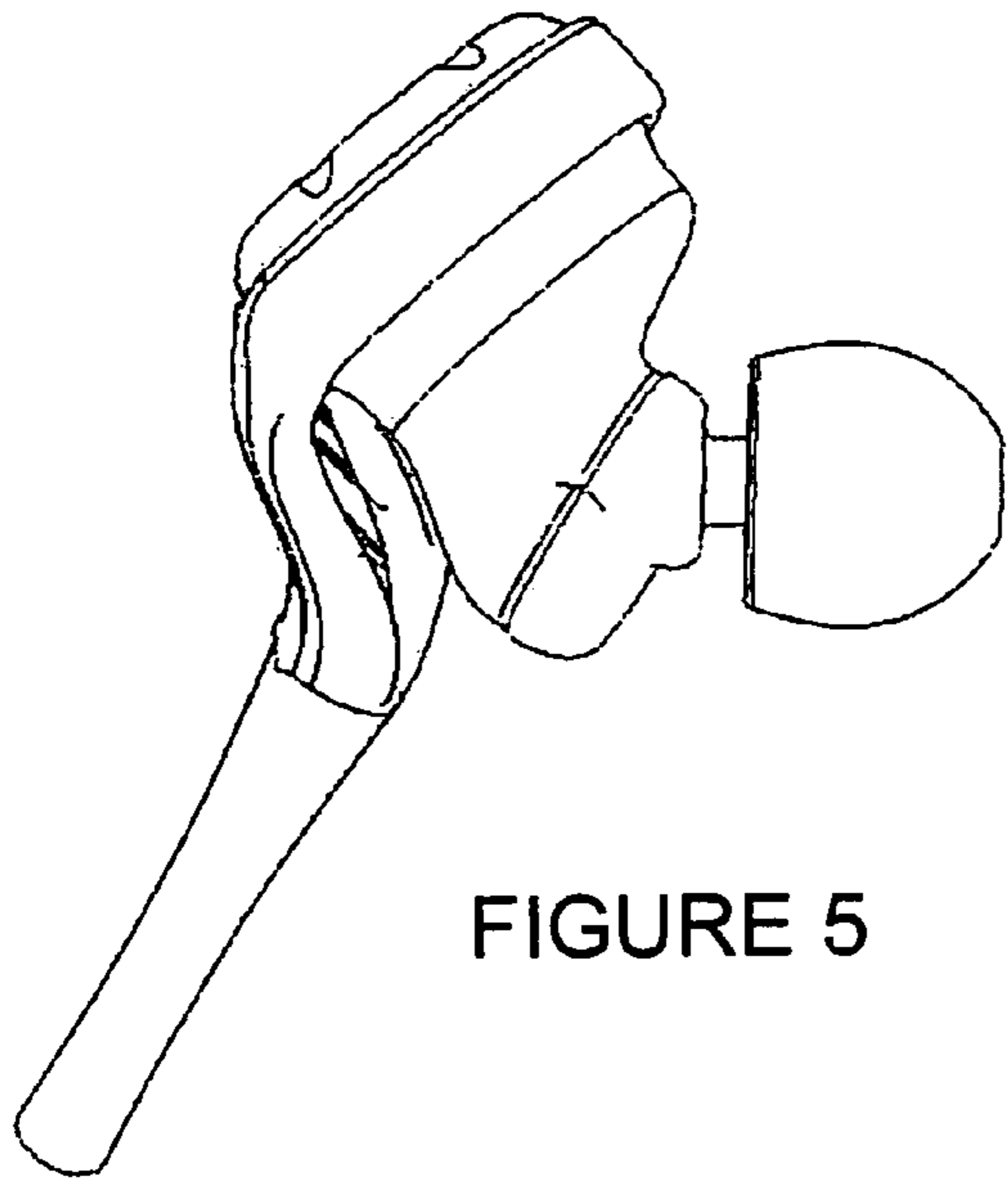


FIGURE 5

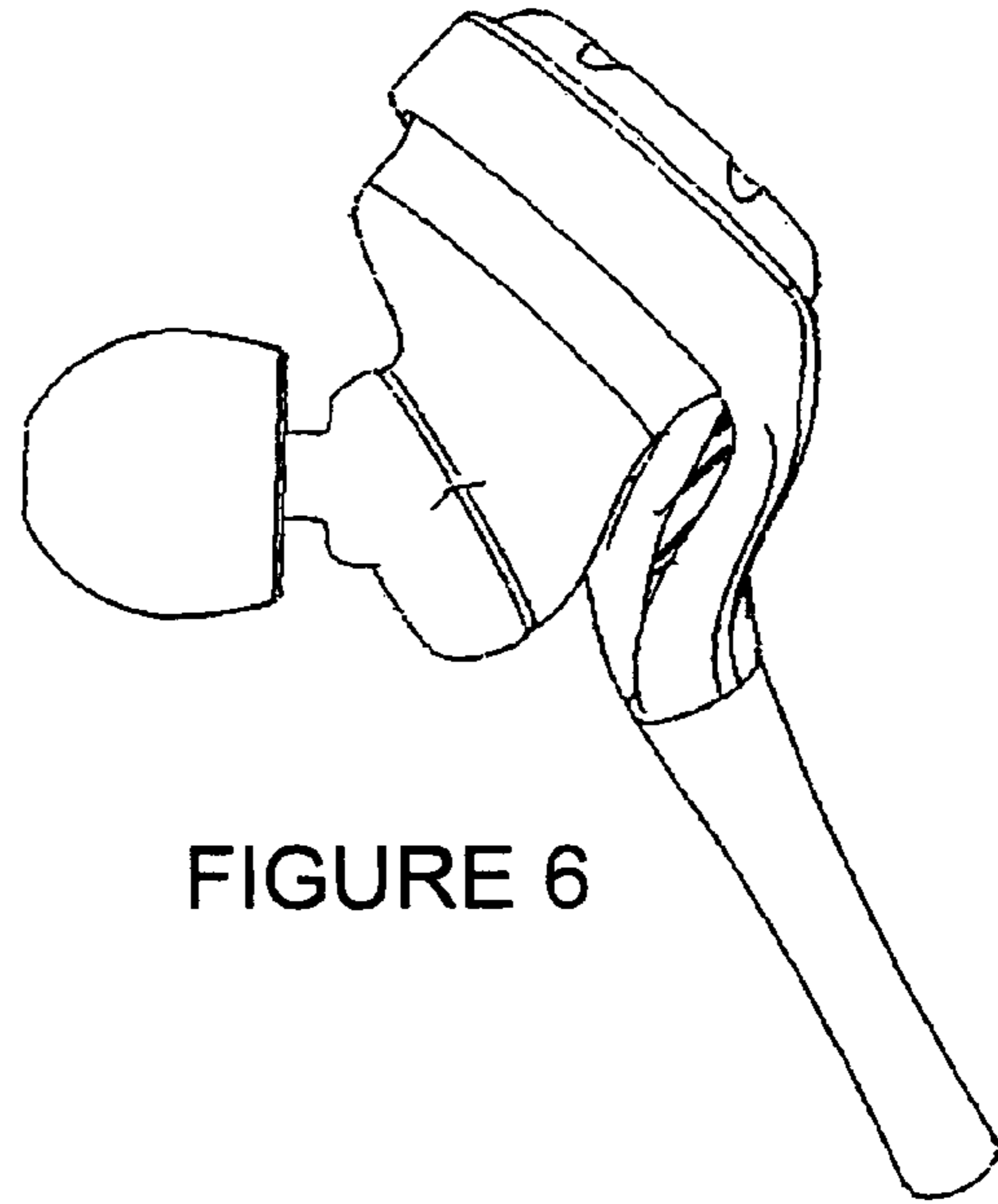


FIGURE 6

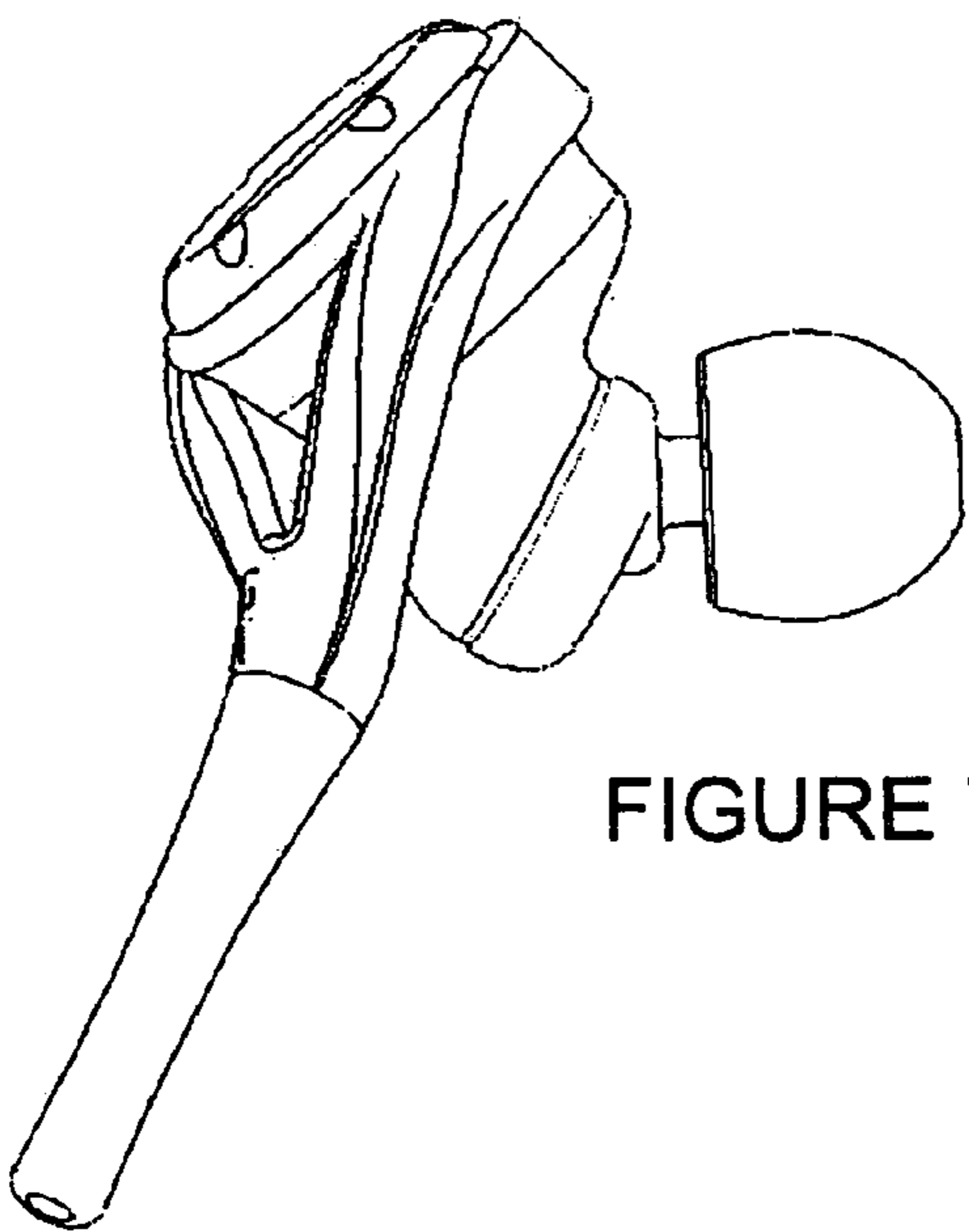


FIGURE 7

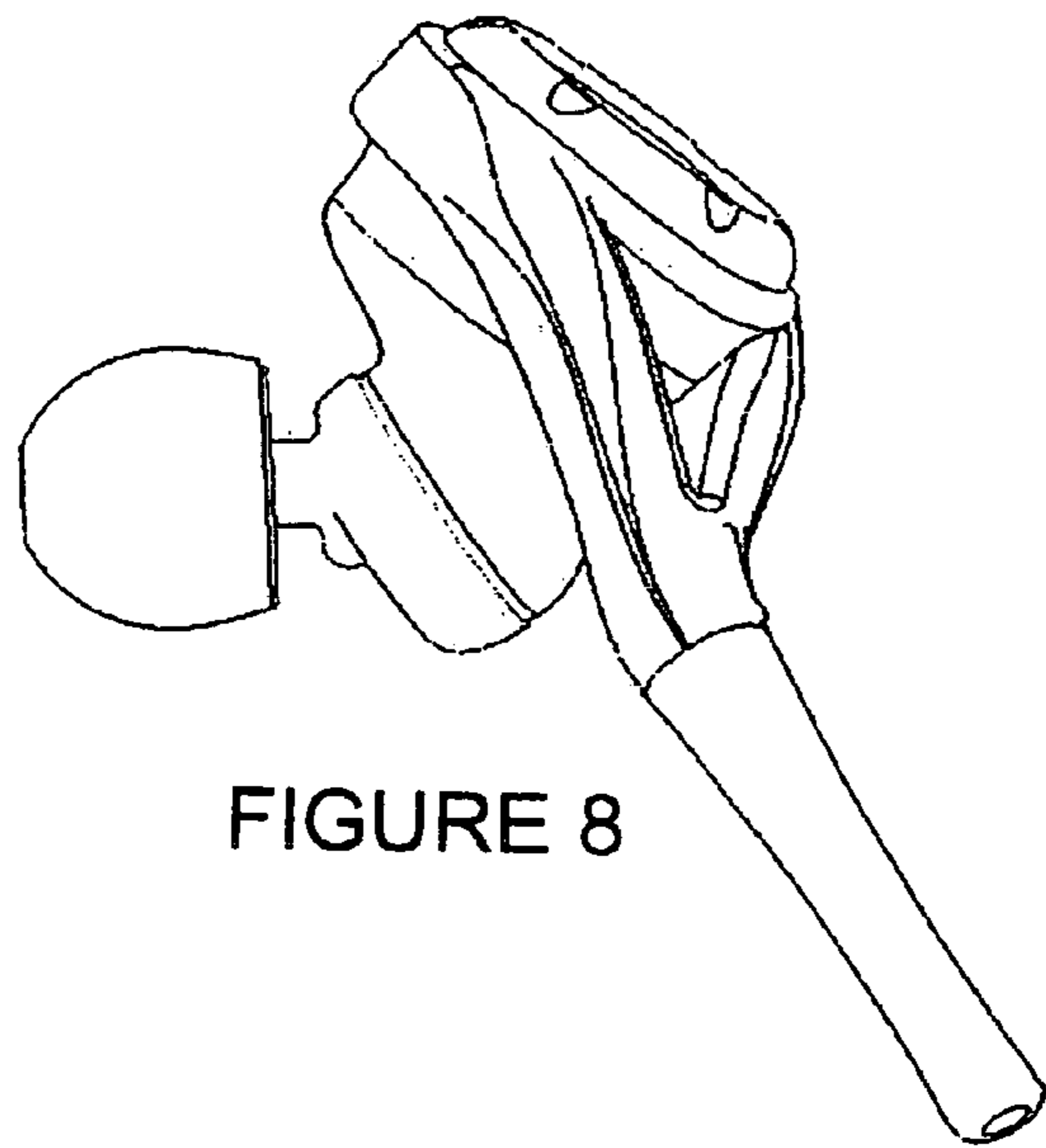


FIGURE 8

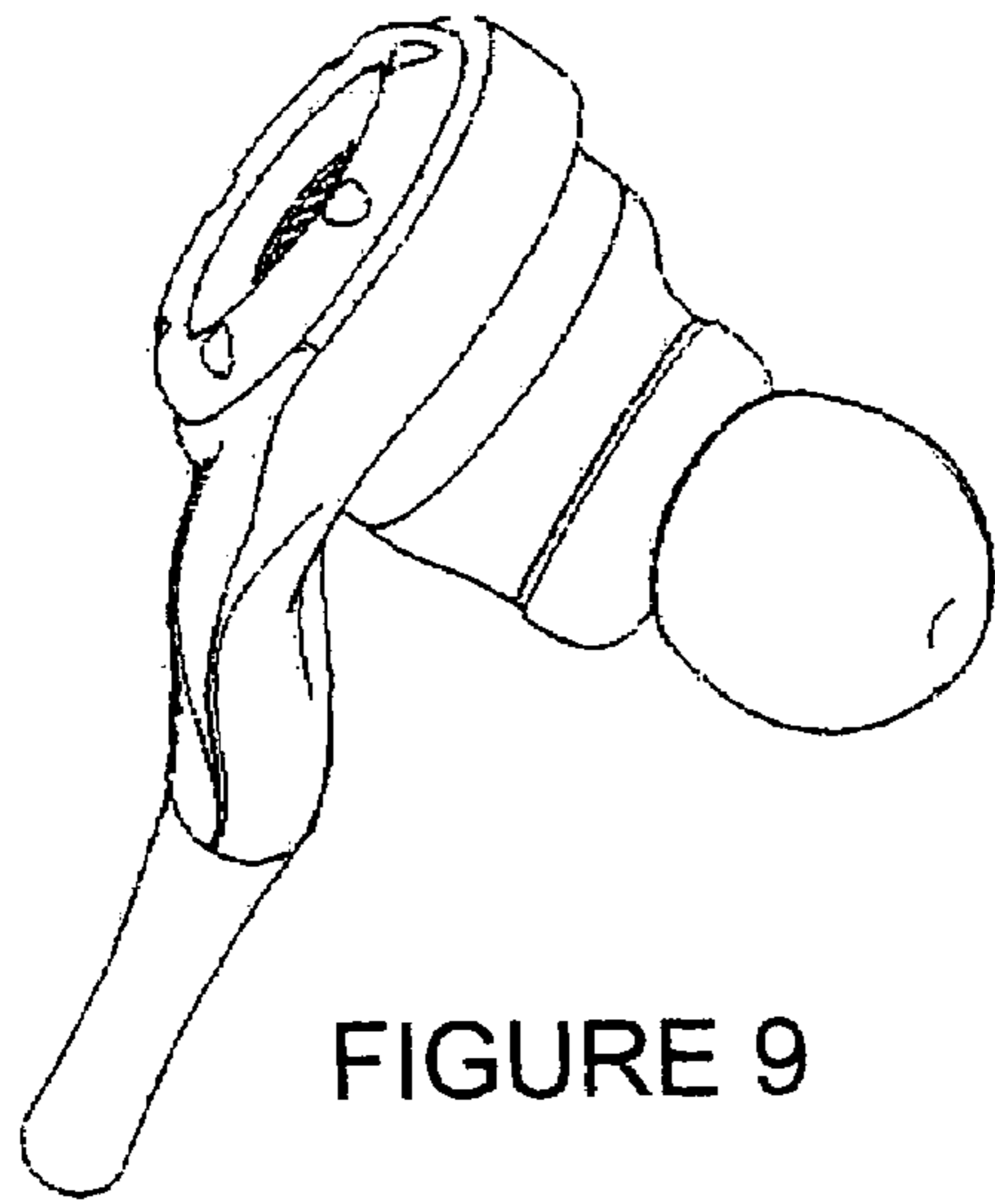


FIGURE 9

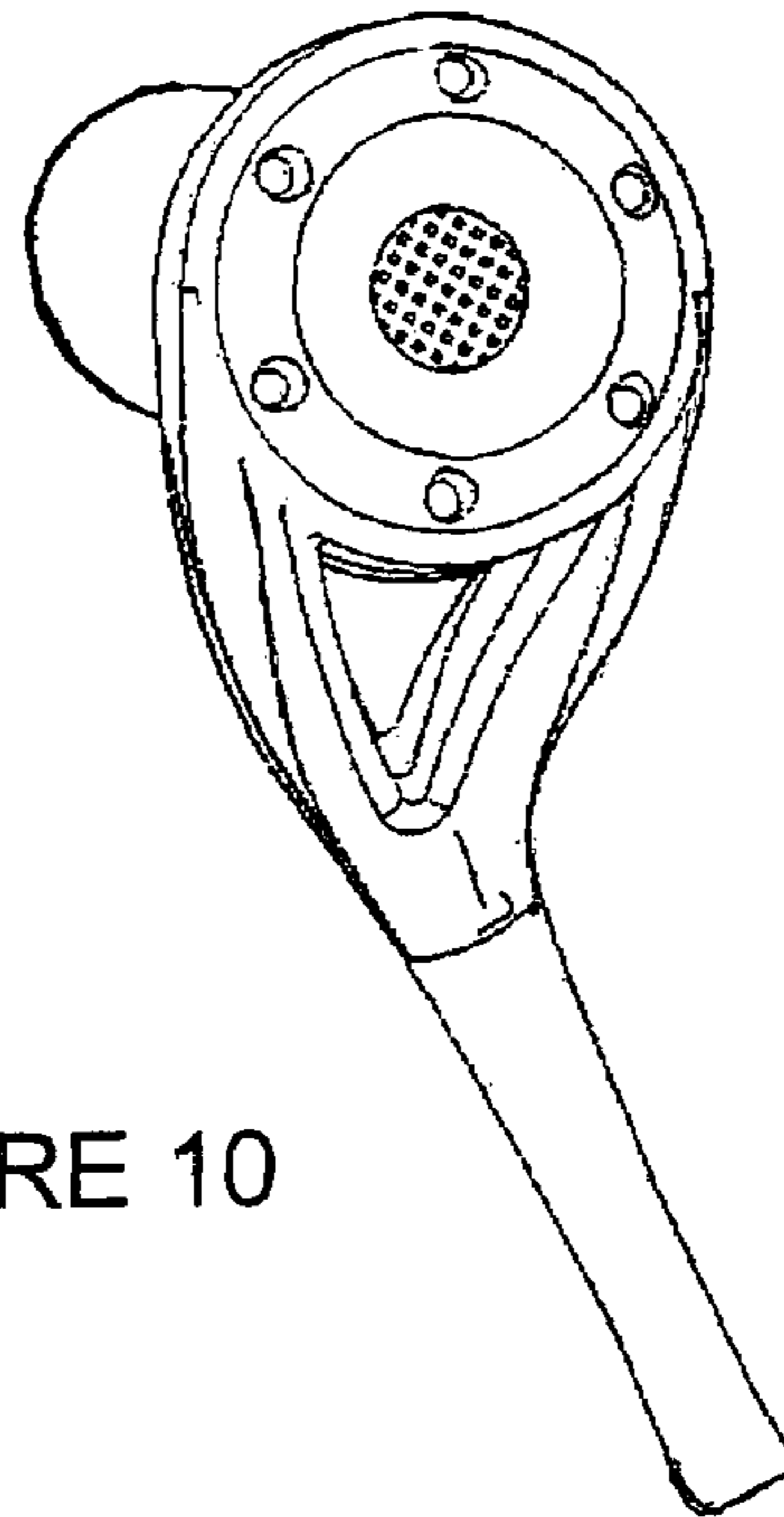


FIGURE 10

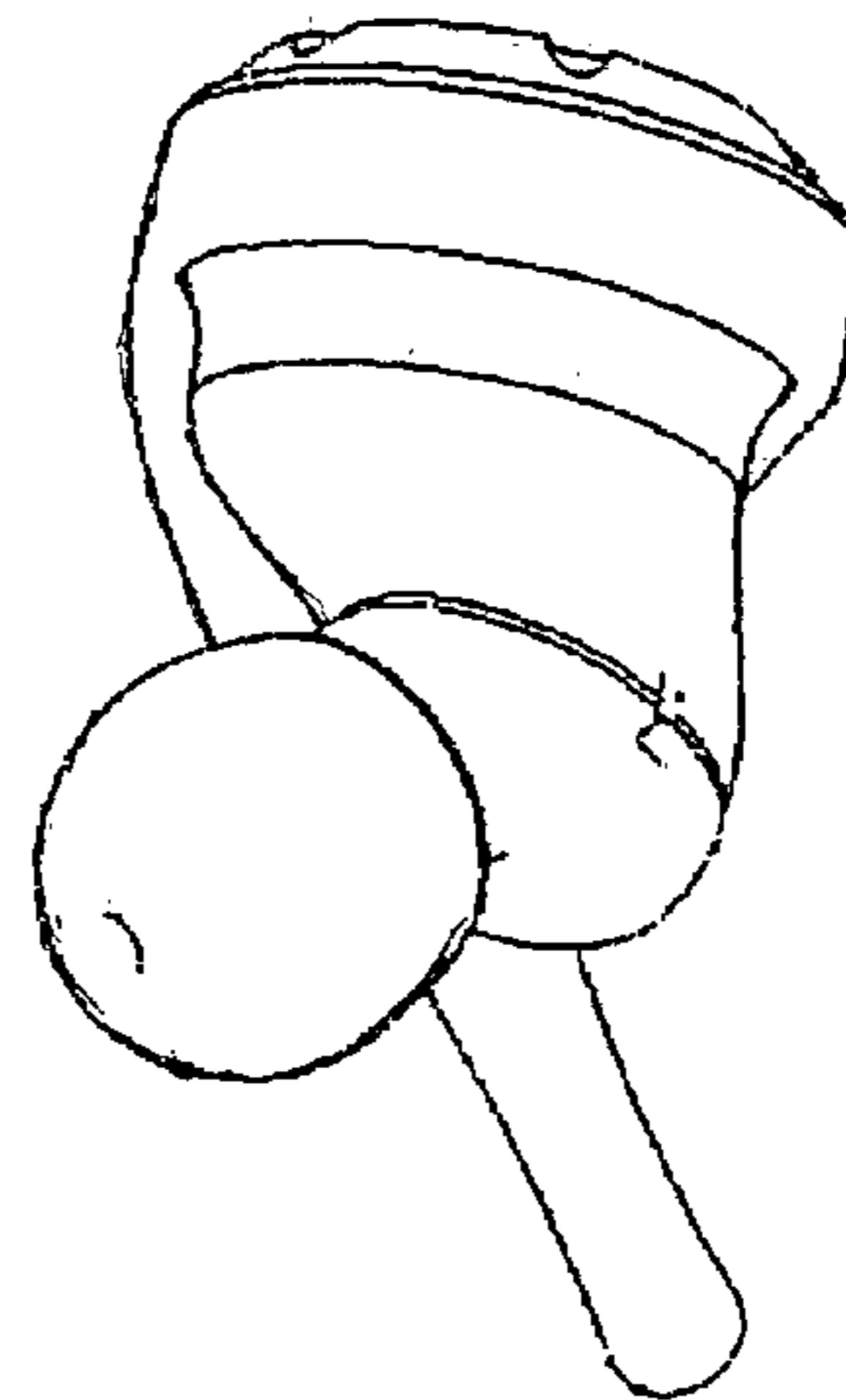


FIGURE 11

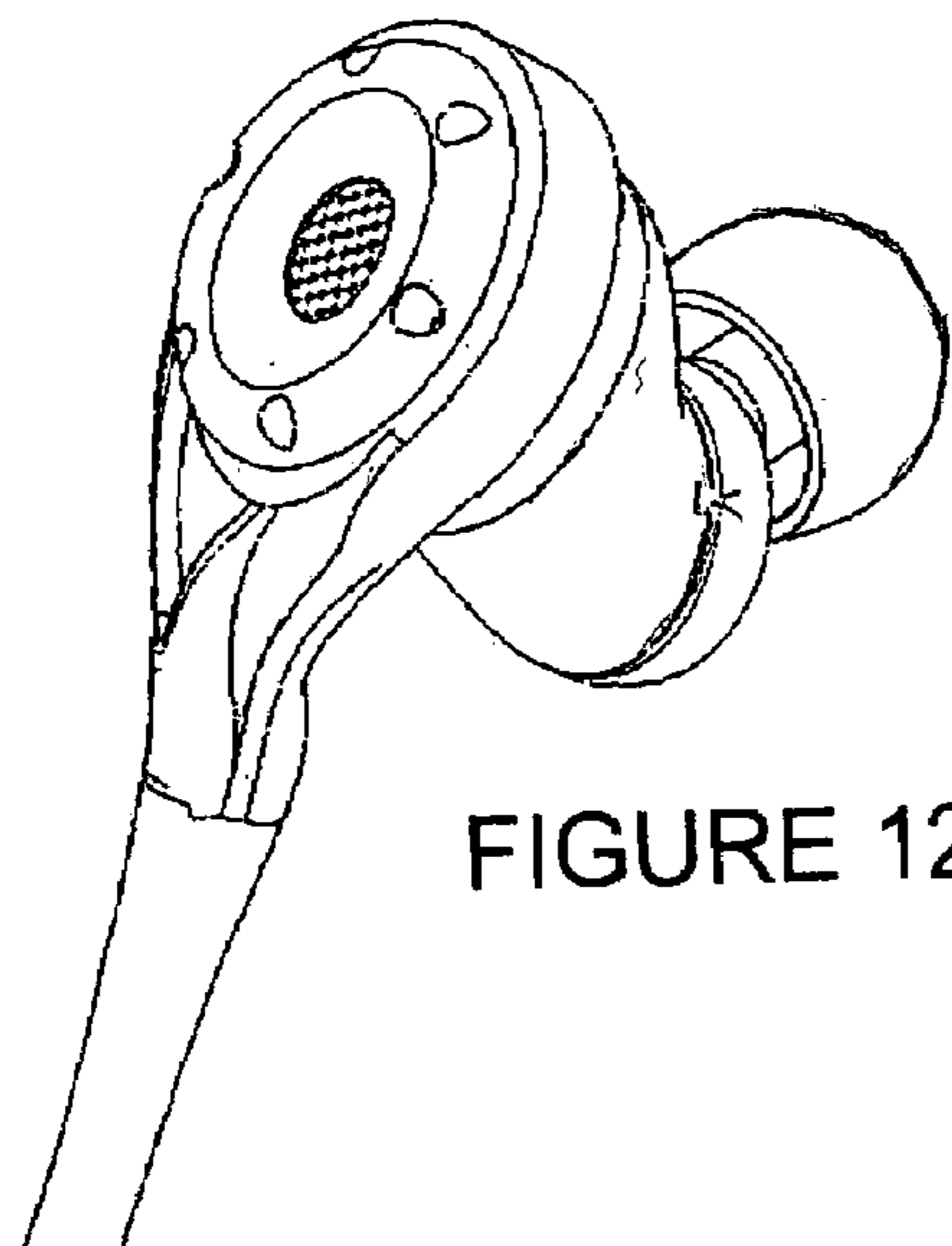


FIGURE 12