



US00D563388S

(12) **United States Design Patent**
Aquillano

(10) **Patent No.:** **US D563,388 S**
(45) **Date of Patent:** **** Mar. 4, 2008**

(54) **PORTABLE MUSIC SYSTEM**

D514,090 S 1/2006 Carbone et al.
D532,773 S * 11/2006 Langberg et al. D14/214

(75) Inventor: **Samuel J. Aquillano**, Brighton, MA
(US)

OTHER PUBLICATIONS

(73) Assignee: **Bose Corporation**, Framingham, MA
(US)

iBlaster™ Silhouette. http://www.exccaliburelectronics.net/Merchant2/merchant.mv?Screen=PROD&Store_Cod downloaded Dec. 13, 2006.

(**) Term: **14 Years**

* cited by examiner

(21) Appl. No.: **29/275,403**

Primary Examiner—Nanda Bondade
(74) *Attorney, Agent, or Firm*—Fish & Richardson P.C.

(22) Filed: **Dec. 22, 2006**

(57) **CLAIM**

(51) **LOC (8) Cl.** **14-01**

The ornamental design for a portable music system, substantially as shown and described.

(52) **U.S. Cl.** **D14/214; D14/217**

(58) **Field of Classification Search** D14/204,
D14/207, 209–217, 356; 181/143–144, 147–148,
181/150, 157, 198–199, 151, 153; 381/300–302,
381/306, 333, 345, 361–364, 386–388, 332,
381/336

DESCRIPTION

See application file for complete search history.

FIG. 1 is a perspective view of the portable music system showing my new design;

FIG. 2 is a front view thereof;

FIG. 3 is a rear view thereof;

FIG. 4 is a right side view thereof;

FIG. 5 is a left side view thereof;

FIG. 6 is a top view thereof; and,

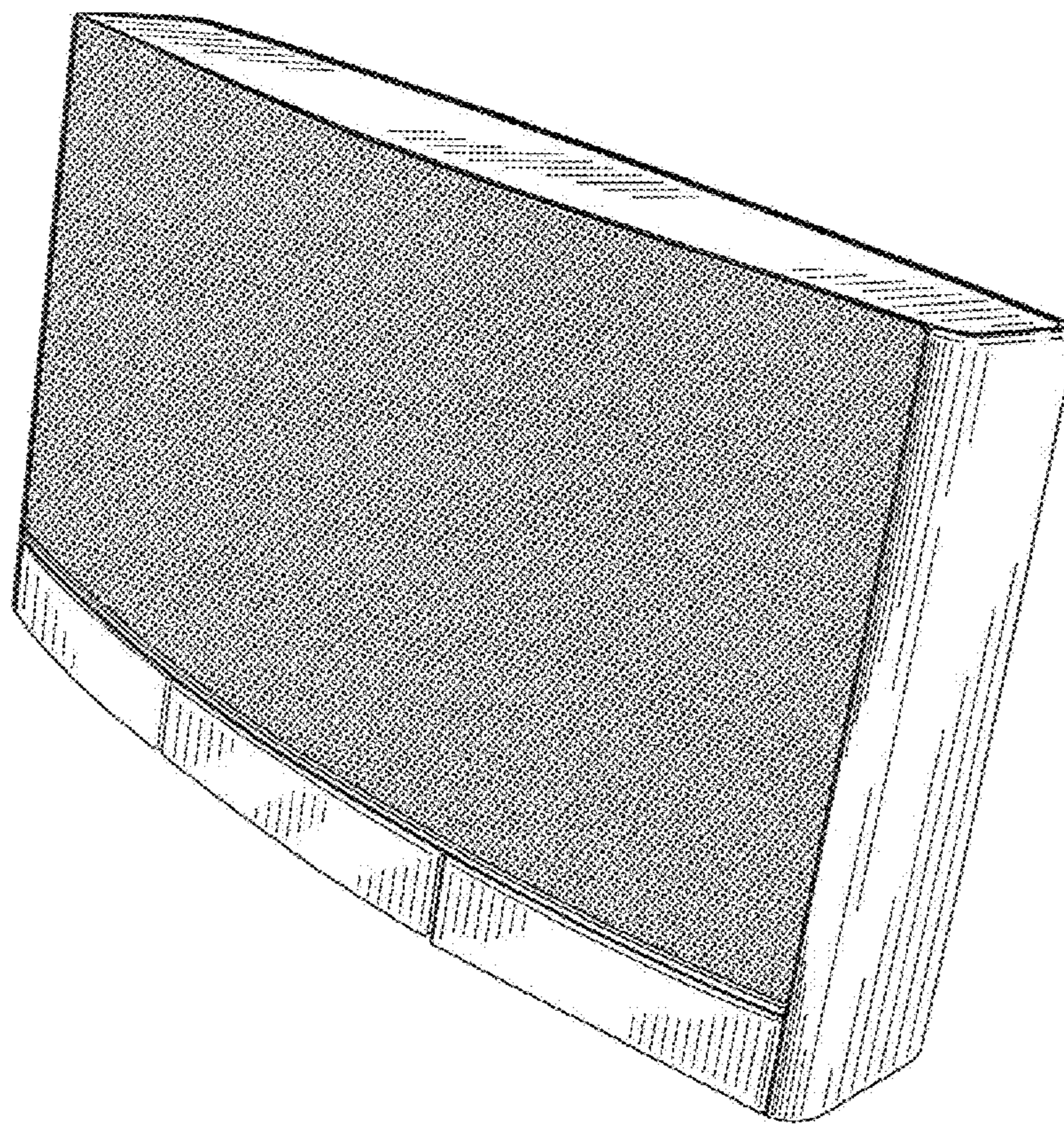
FIG. 7 is a bottom view thereof.

(56) **References Cited**

U.S. PATENT DOCUMENTS

- D188,326 S * 7/1960 Levy et al. D14/214
- D369,356 S * 4/1996 Olson D14/214
- D462,065 S * 8/2002 Silverstein et al. D14/214
- D482,344 S * 11/2003 Green D14/214
- D512,988 S * 12/2005 Green D14/214

1 Claim, 4 Drawing Sheets



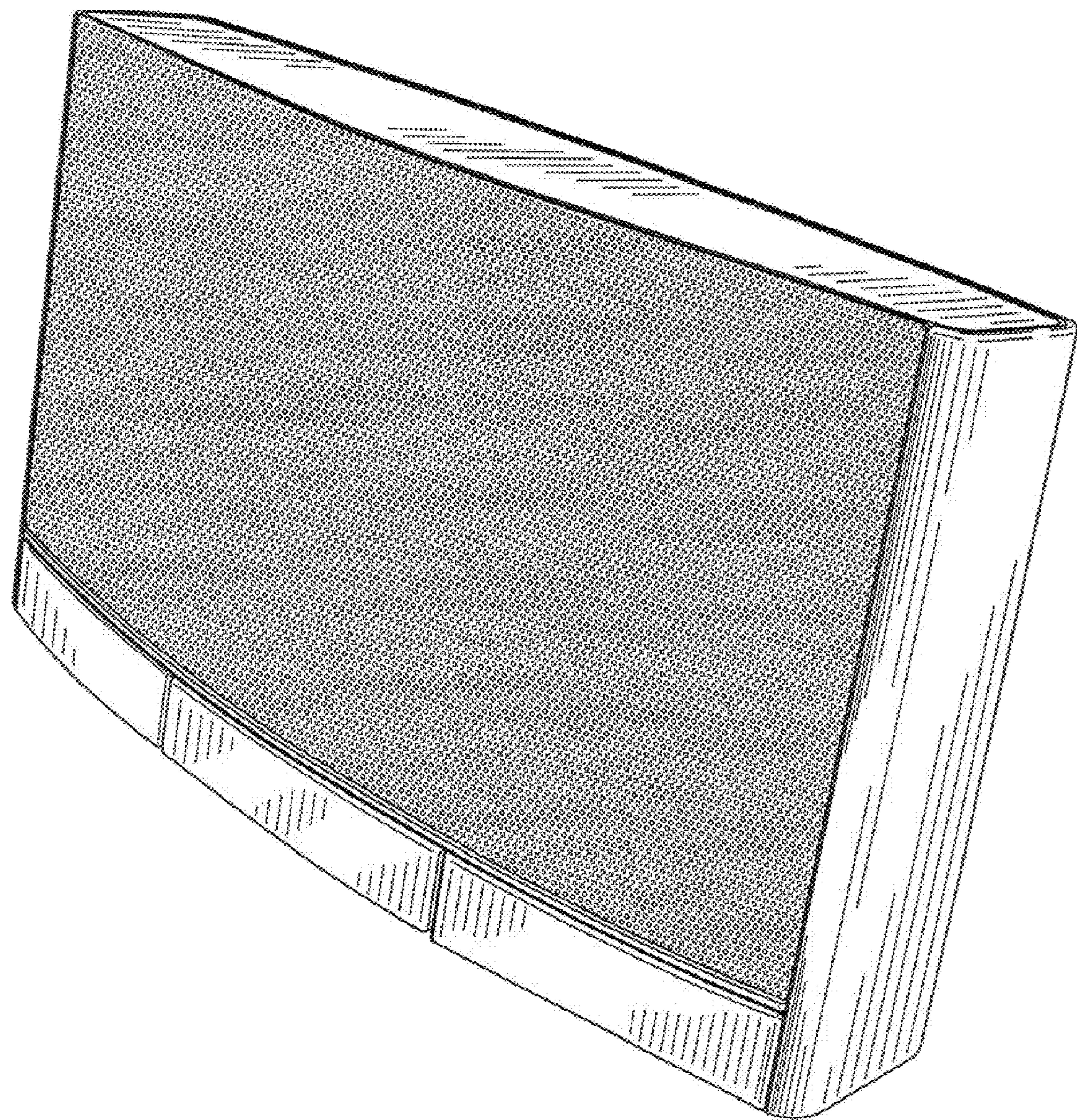


FIG. 1

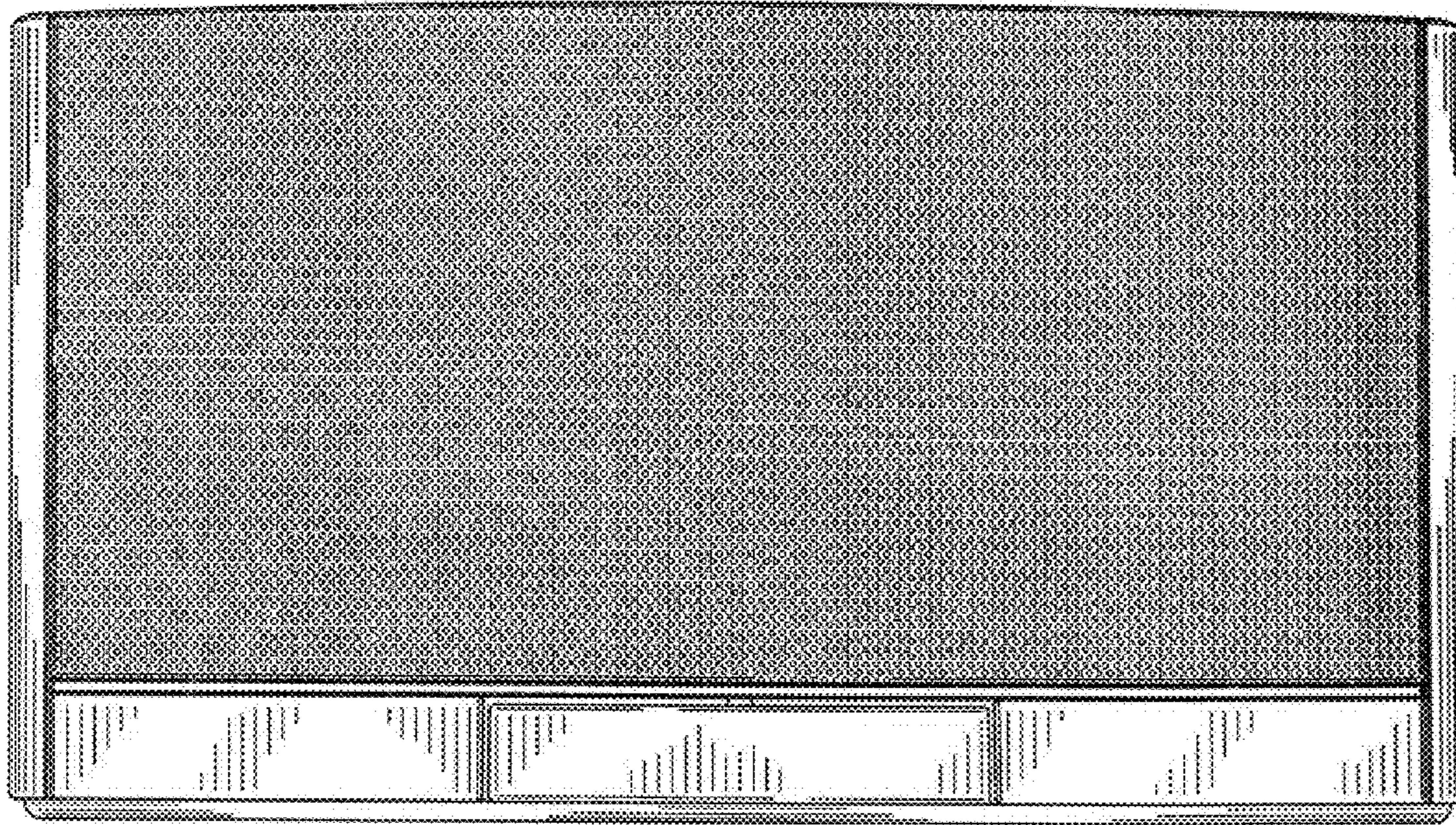


FIG. 2

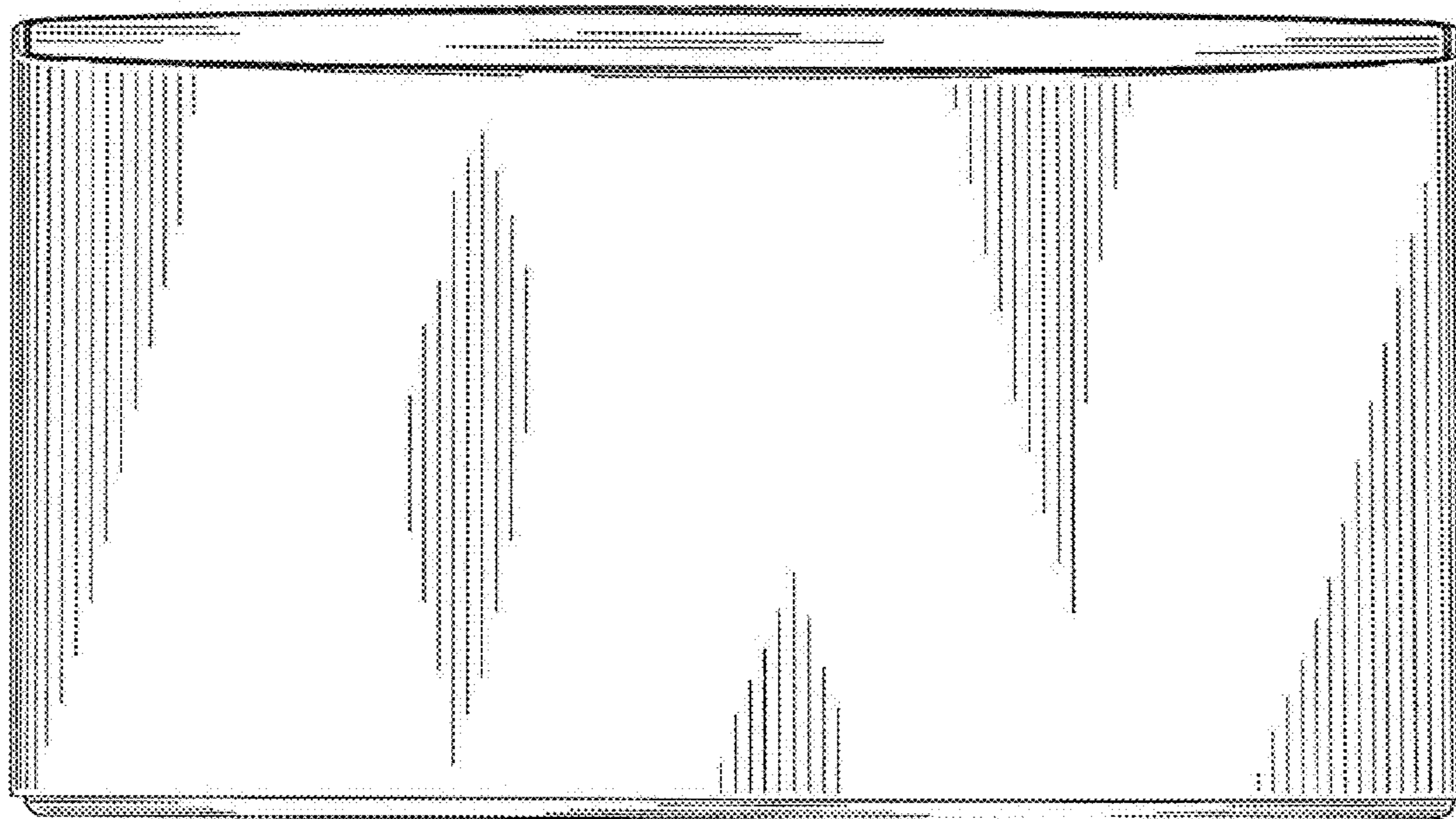


FIG. 3

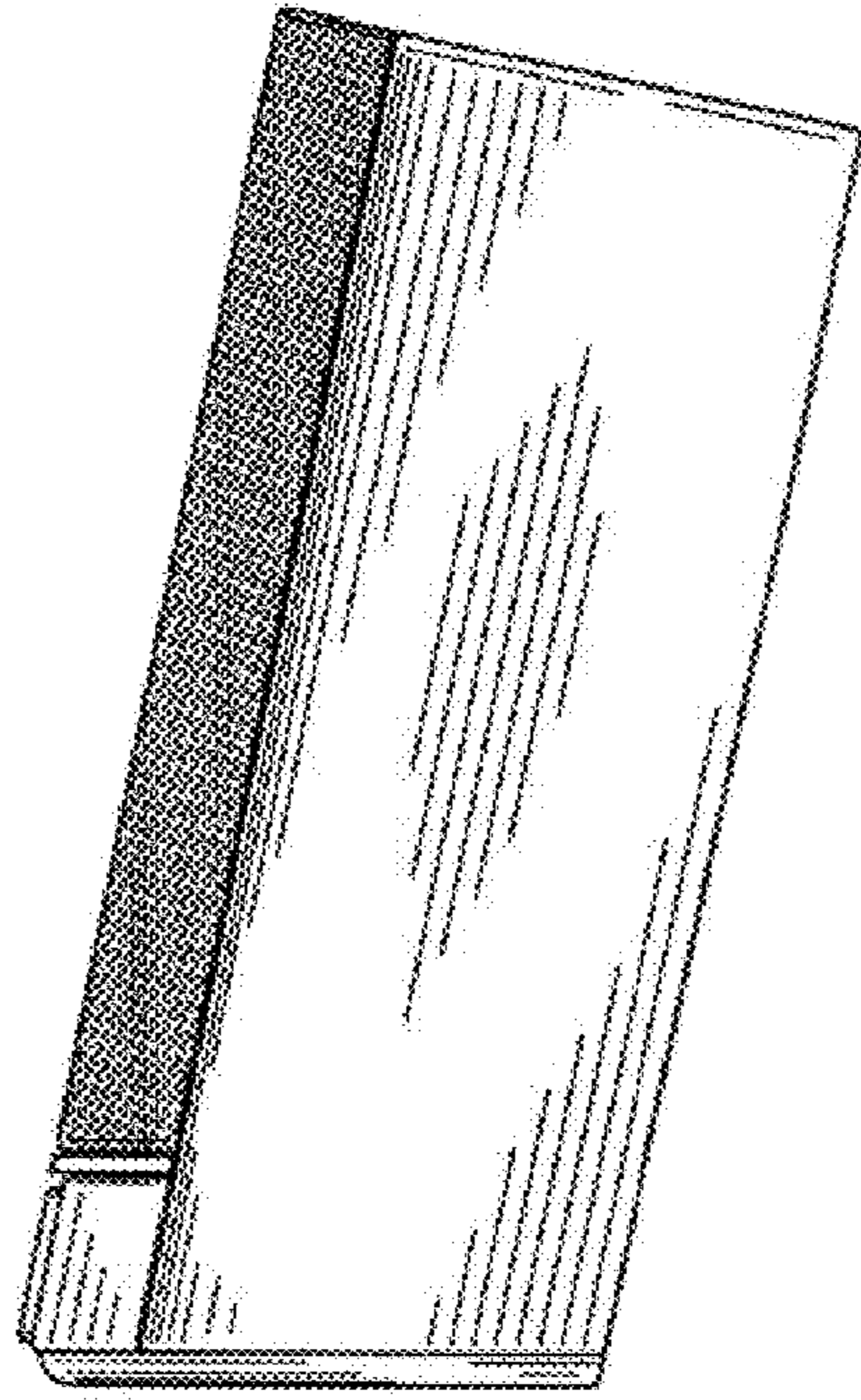


FIG. 4

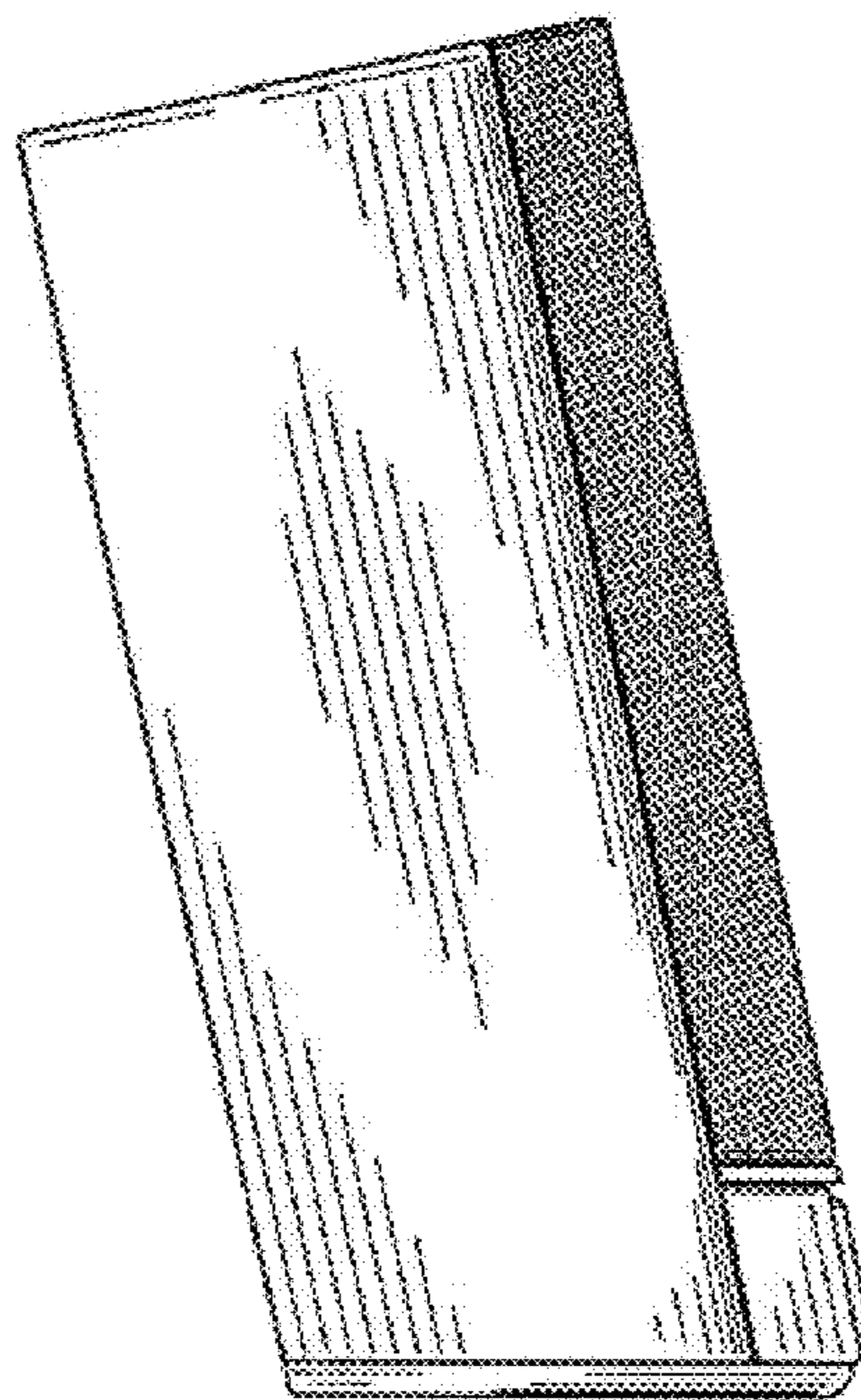


FIG. 5

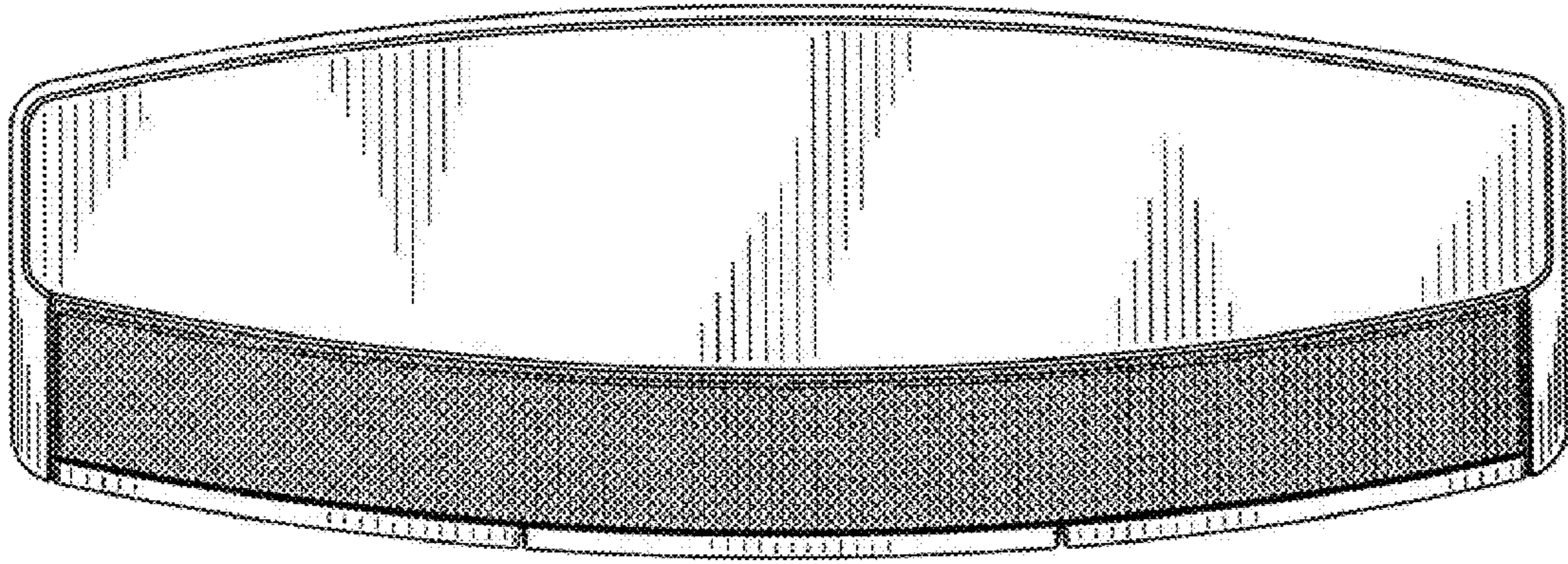


FIG. 6

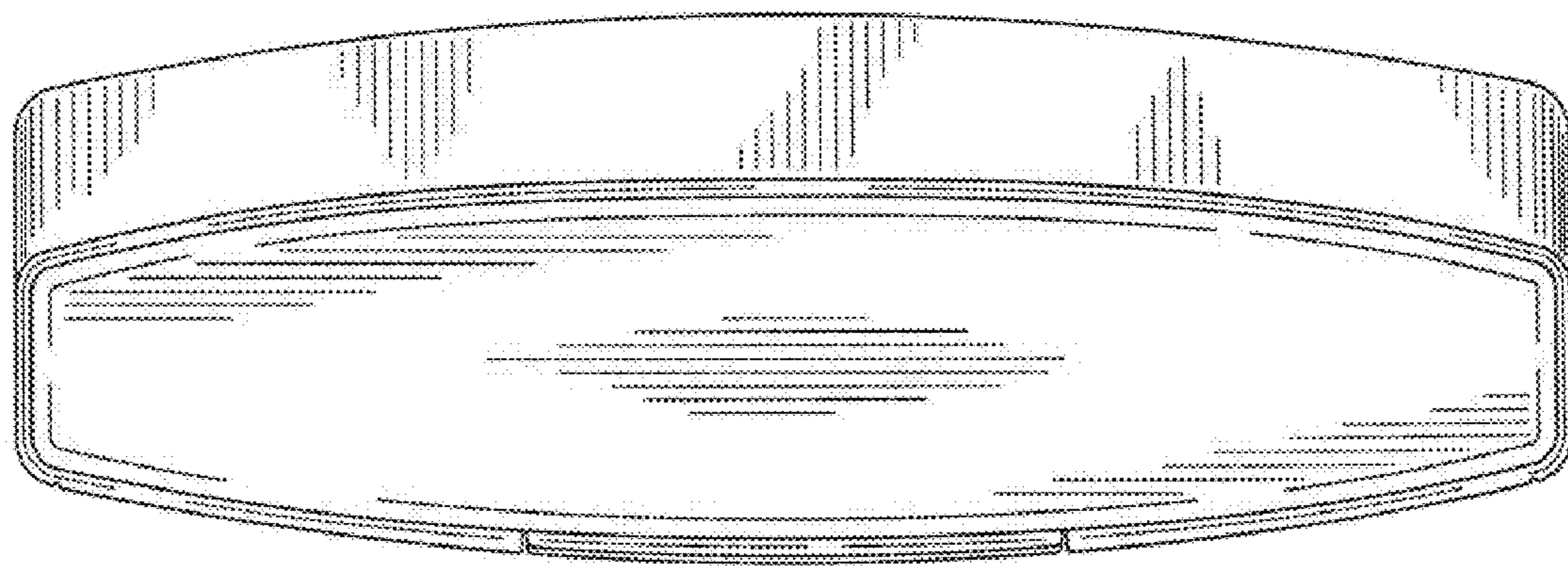


FIG. 7