



US00D563387S

(12) **United States Design Patent**
Aquillano

(10) **Patent No.:** **US D563,387 S**
(45) **Date of Patent:** **** Mar. 4, 2008**

(54) **PORTABLE MUSIC SYSTEM**

(75) Inventor: **Samuel J. Aquillano**, Brighton, MA
(US)

(73) Assignee: **Bose Corporation**, Framingham, MA
(US)

(**) Term: **14 Years**

(21) Appl. No.: **29/275,402**

(22) Filed: **Dec. 22, 2006**

(51) **LOC (8) Cl.** **14-01**

(52) **U.S. Cl.** **D14/214; D14/217**

(58) **Field of Classification Search** D14/204,
D14/207, 209–217, 356; 181/143–144, 147–148,
181/150, 157, 198–199, 151, 153; 381/300–302,
381/306, 333, 345, 361–364, 386–388, 332,
381/336

See application file for complete search history.

(56) **References Cited**

U.S. PATENT DOCUMENTS

D188,326 S	*	7/1960	Levy et al.	D14/214
D369,356 S	*	4/1996	Olson	D14/214
D462,065 S	*	8/2002	Silverstein et al.	D14/214
D482,344 S	*	11/2003	Green	D14/214
D512,988 S	*	12/2005	Green	D14/214
D514,090 S		1/2006	Carbone et al.		
D532,773 S	*	11/2006	Langberg et al.	D14/214

OTHER PUBLICATIONS

iBlaster™ Silhouette. http://www.excaliburelectronics.net/Merchant2/merchant.mv?Screen=PROD&Store_Cod downloaded Dec. 13, 2006.

* cited by examiner

Primary Examiner—Nanda Bondade

(74) *Attorney, Agent, or Firm*—Fish & Richardson P.C.

(57) **CLAIM**

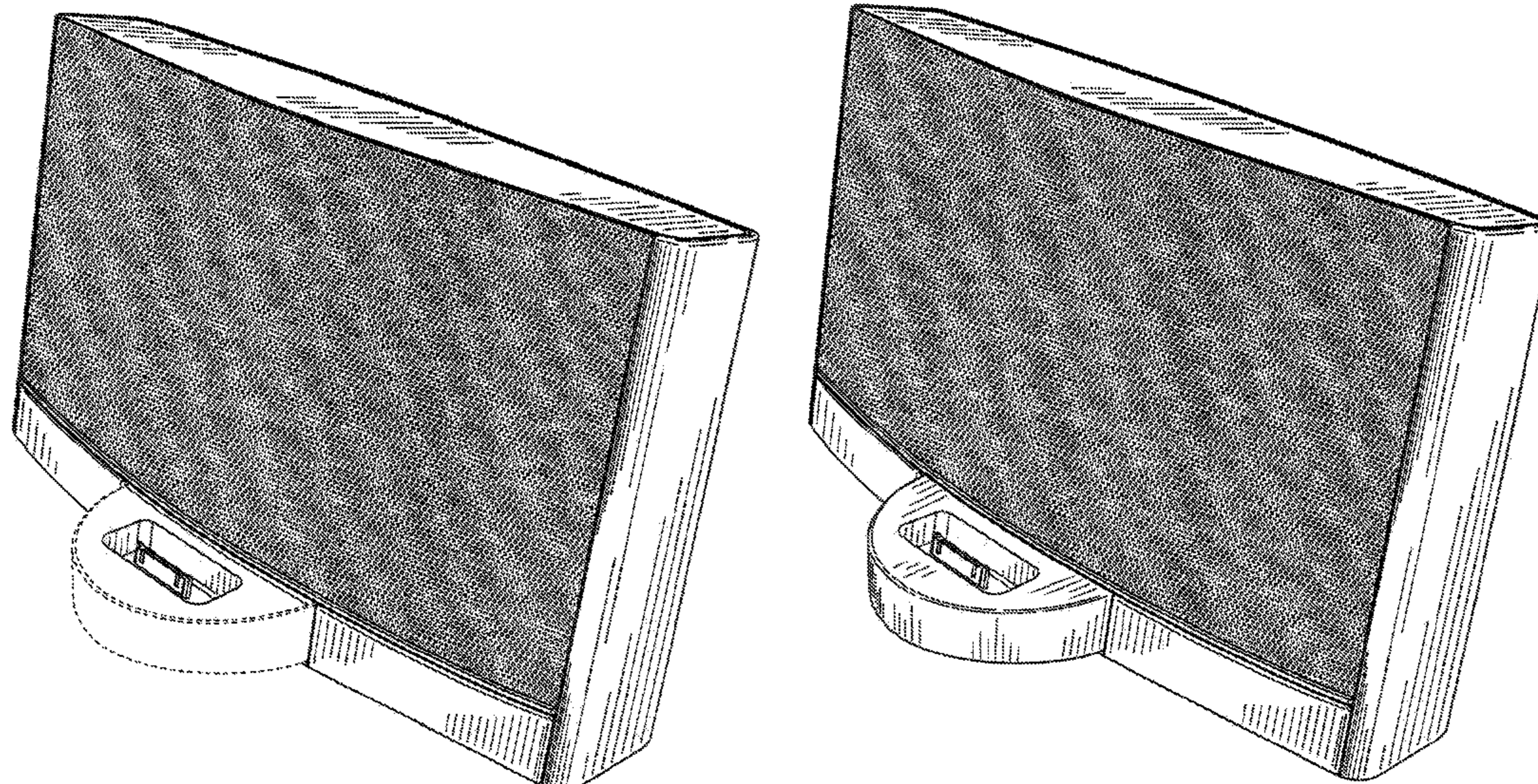
The ornamental design for a portable music system, substantially as shown and described.

DESCRIPTION

FIG. 1 is a perspective view of a portable music system;
 FIG. 2 is a front view of the first embodiment;
 FIG. 3 is a rear view of the first embodiment;
 FIG. 4 is a right side view of the first embodiment;
 FIG. 5 is a left side view of the first embodiment;
 FIG. 6 is a top view of the first embodiment;
 FIG. 7 is a bottom view of the first embodiment;
 FIG. 8 is a perspective view of a second embodiment of FIG. 1;
 FIG. 9 is a front view of the second embodiment;
 FIG. 10 is a rear view of the second embodiment;
 FIG. 11 is a right side view of the second embodiment;
 FIG. 12 is a left side view of the second embodiment;
 FIG. 13 is a top view of the second embodiment;
 FIG. 14 is a bottom view of the second embodiment;
 FIG. 15 is a perspective view of a third embodiment of FIG. 1;
 FIG. 16 is a front view of the third embodiment;
 FIG. 17 is a rear view of the third embodiment;
 FIG. 18 is a right side view of the third embodiment;
 FIG. 19 is a left side view of the third embodiment;
 FIG. 20 is a top view of the third embodiment; and,
 FIG. 21 is a bottom view of the third embodiment.

The broken lines shown in FIGS. 1, 2 and 4–7 are for illustrative purposes only and form no part of the claimed design.

1 Claim, 12 Drawing Sheets



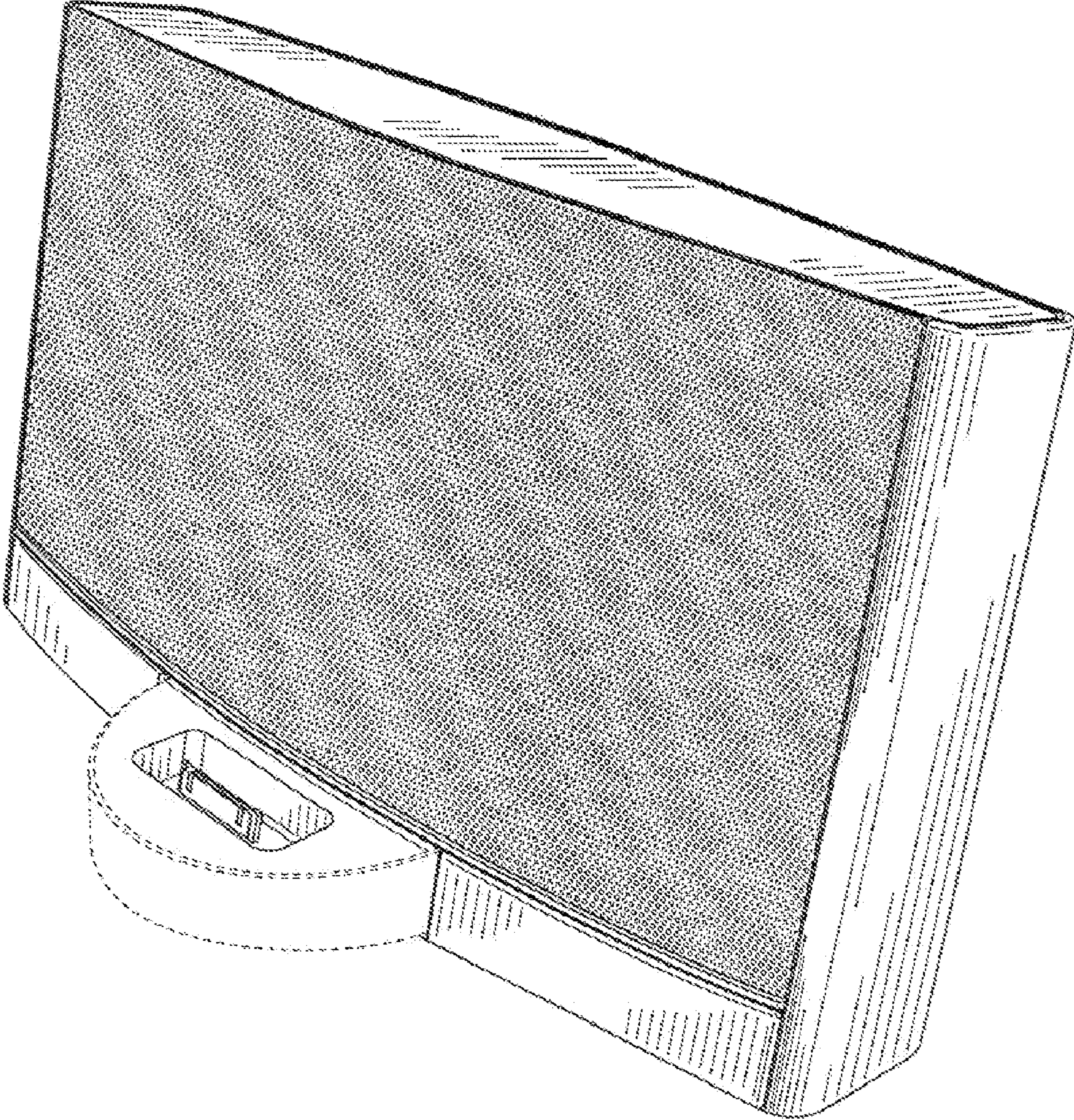


FIG. 1

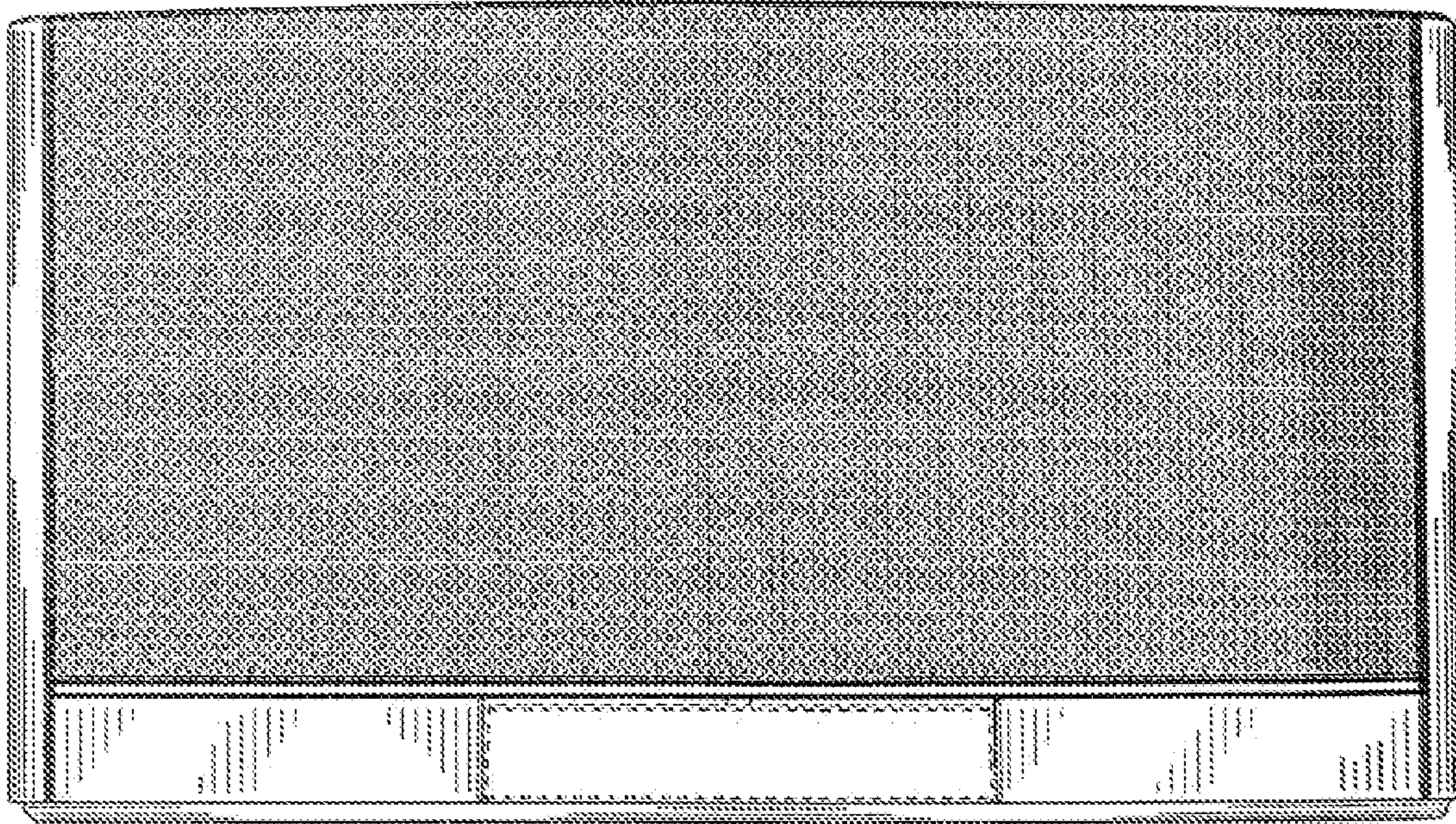


FIG. 2

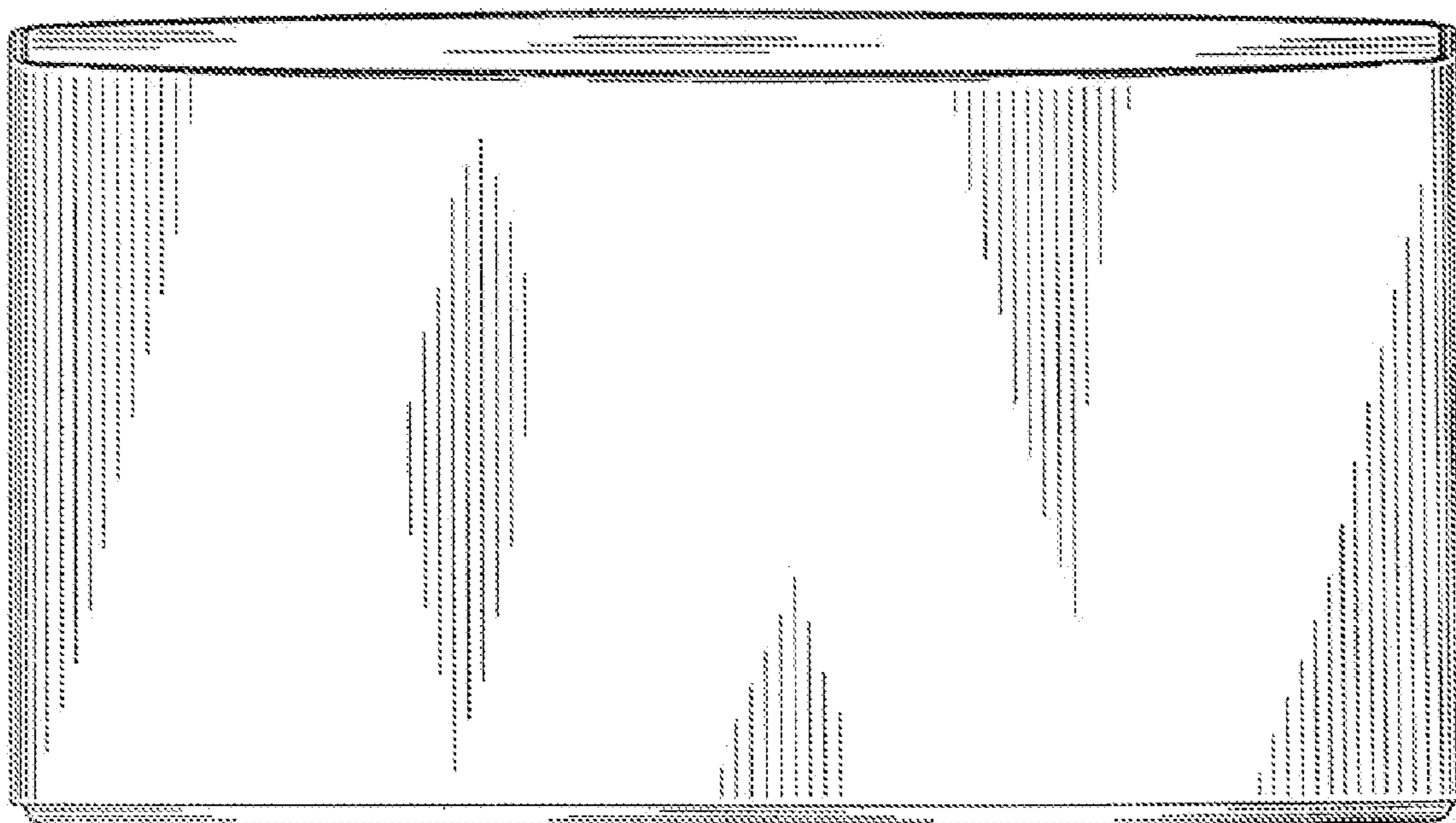


FIG. 3

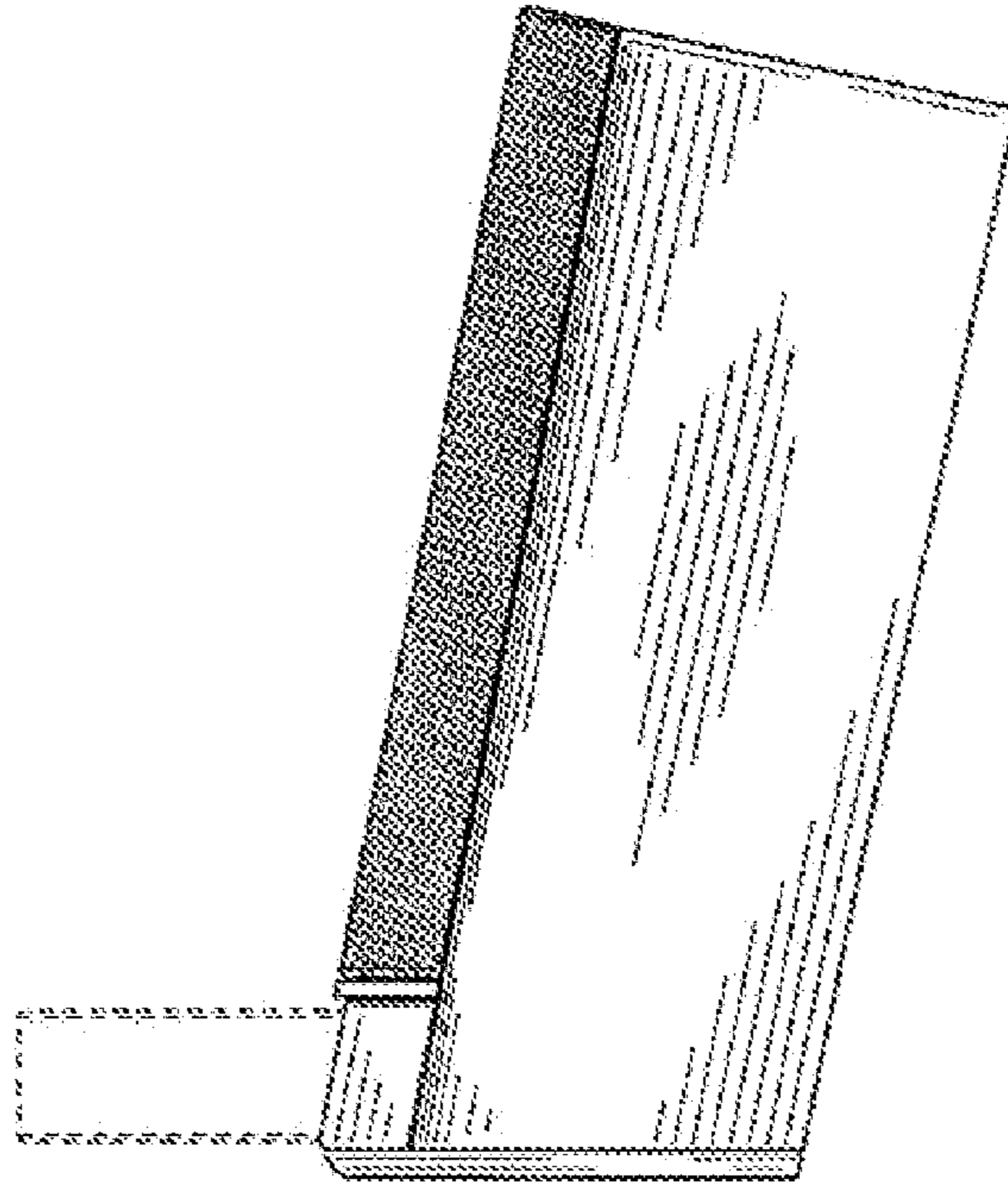


FIG. 4

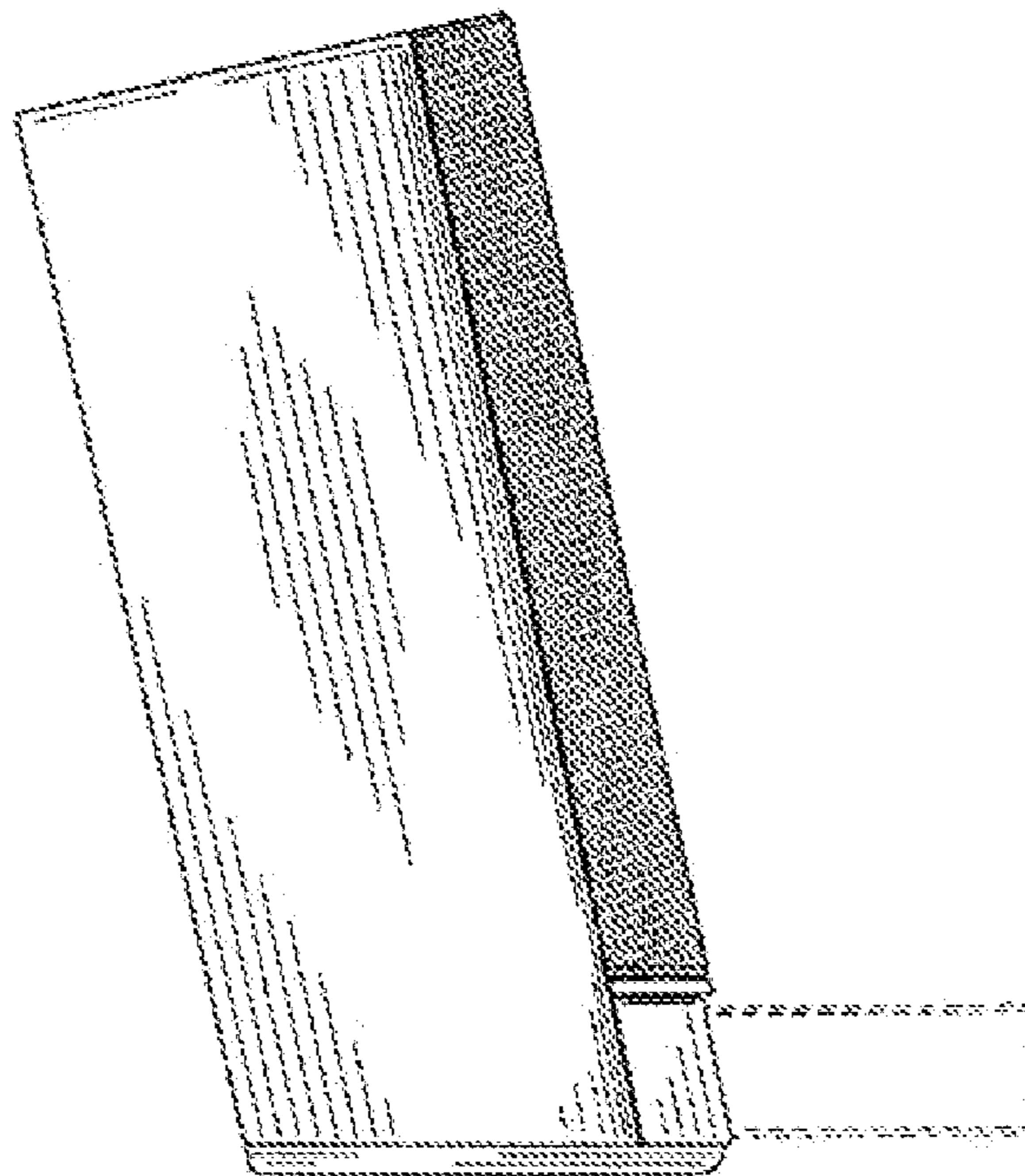


FIG. 5

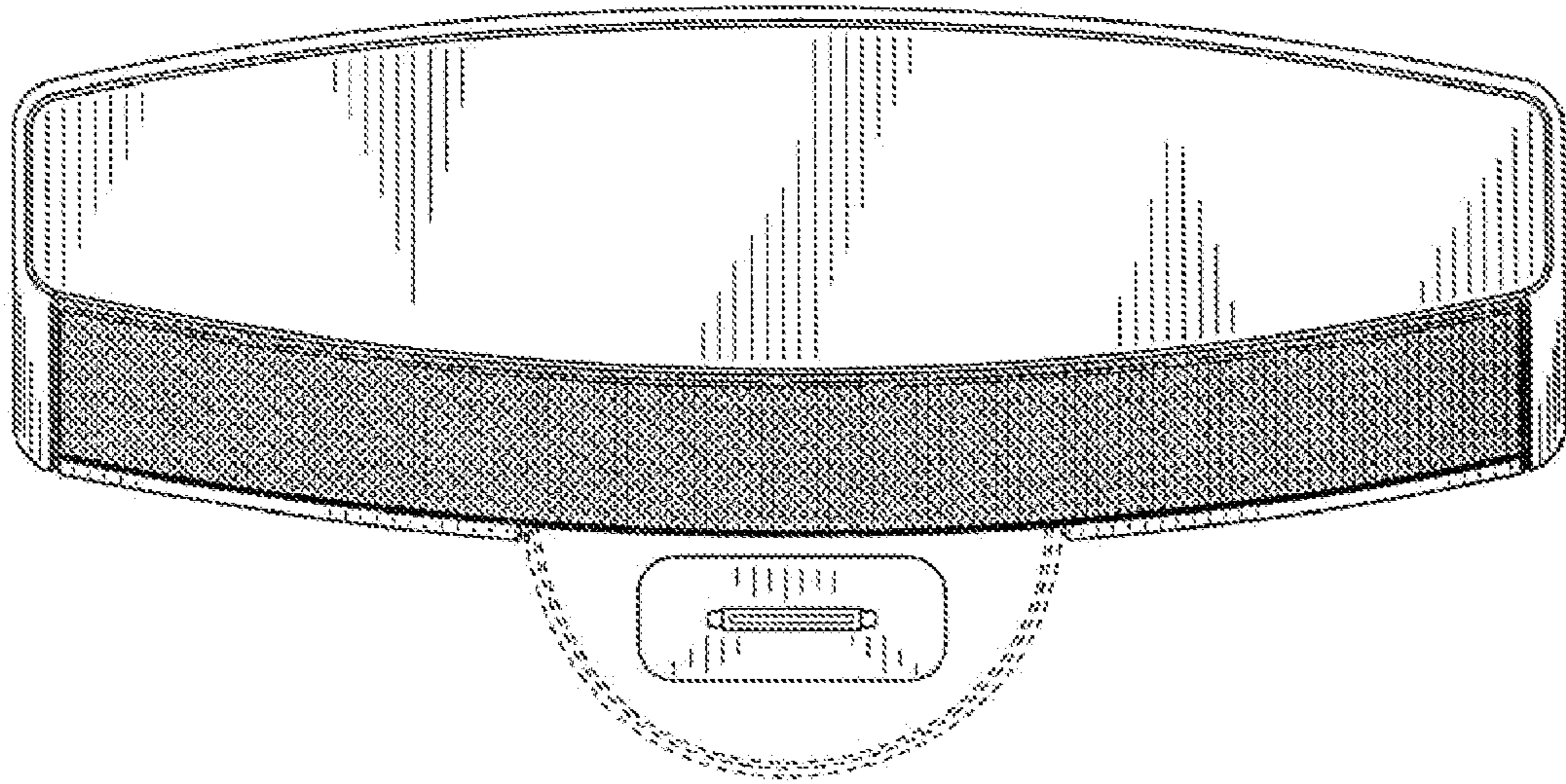


FIG. 6

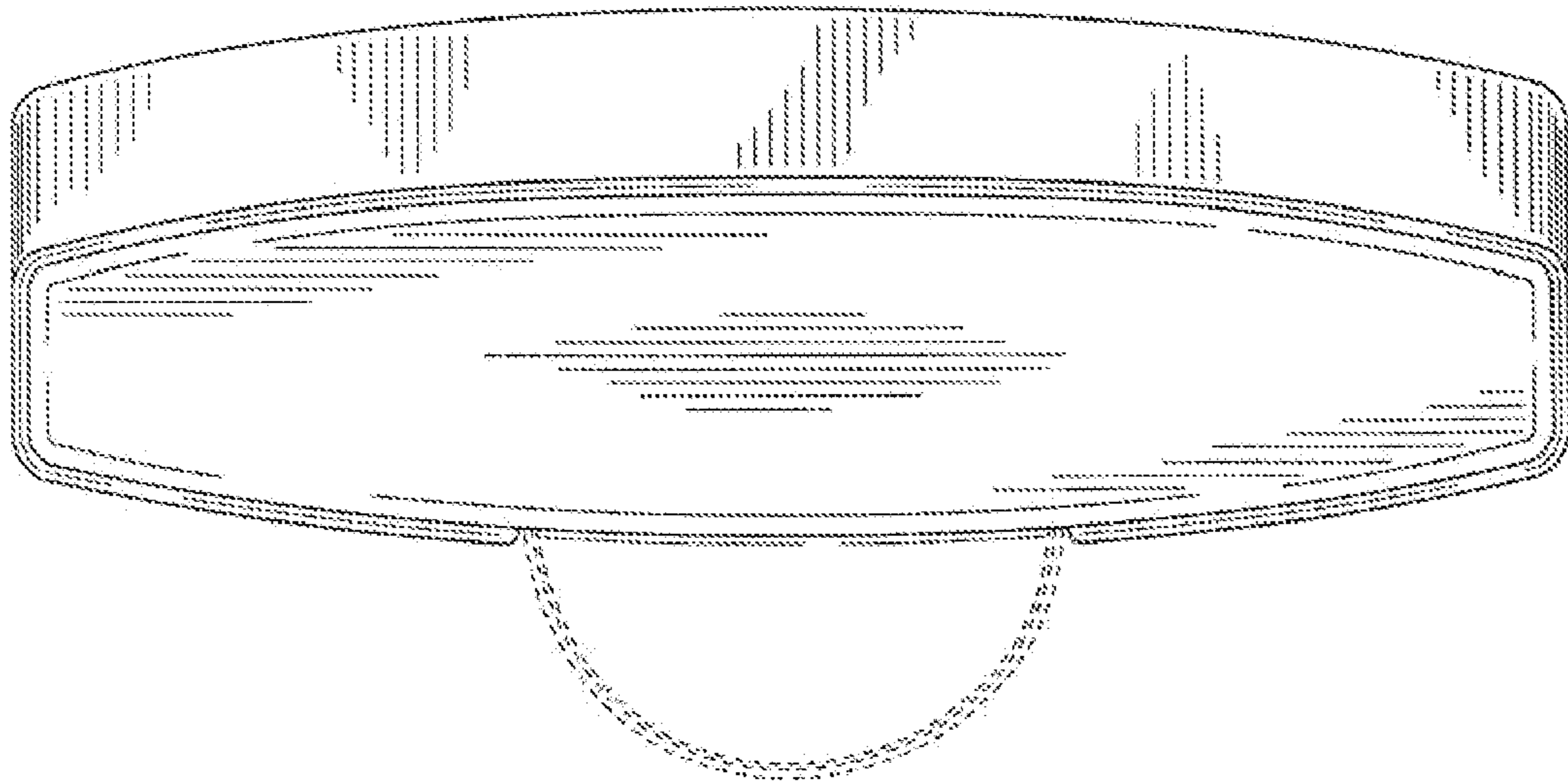


FIG. 7

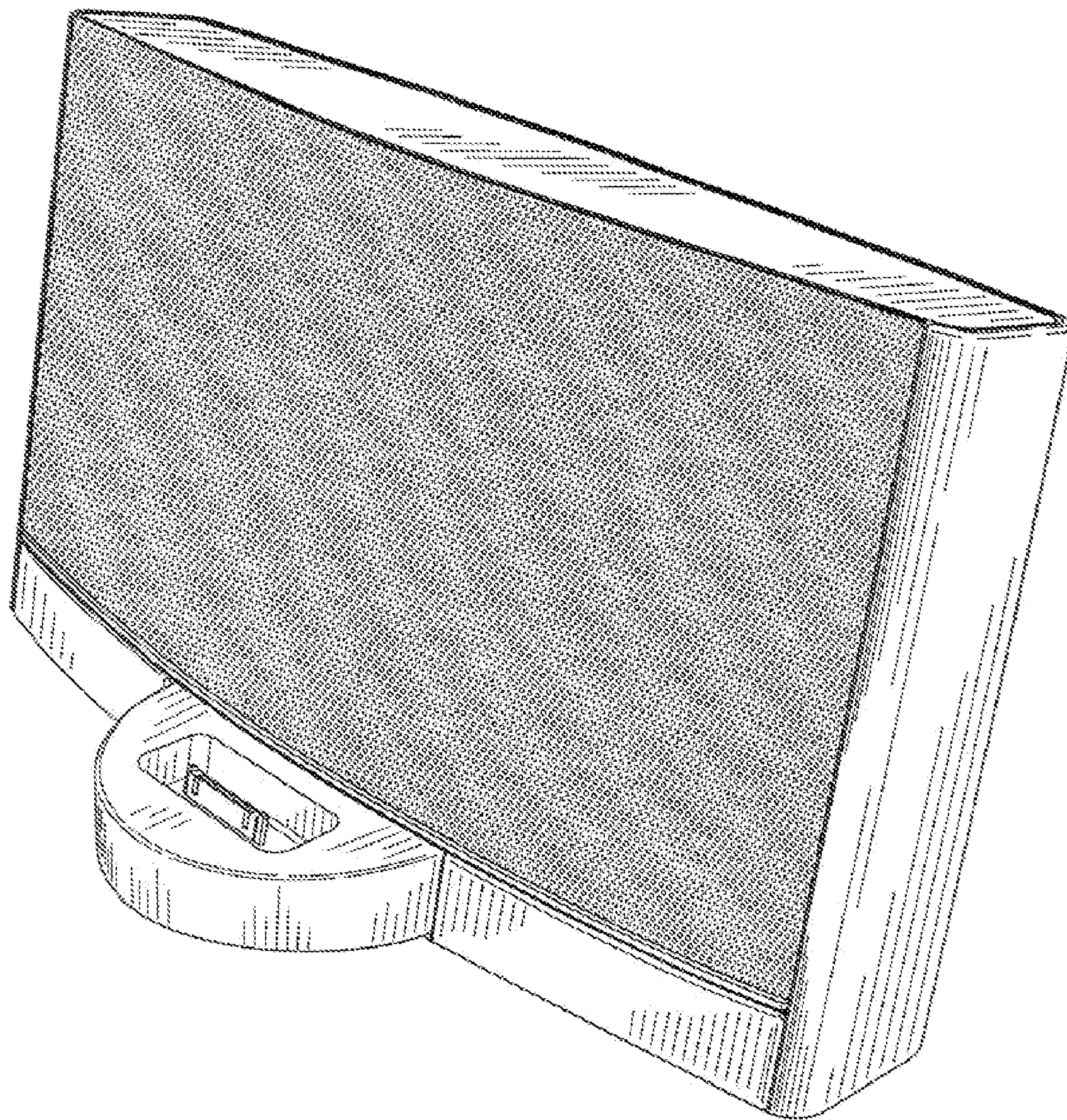


FIG. 8

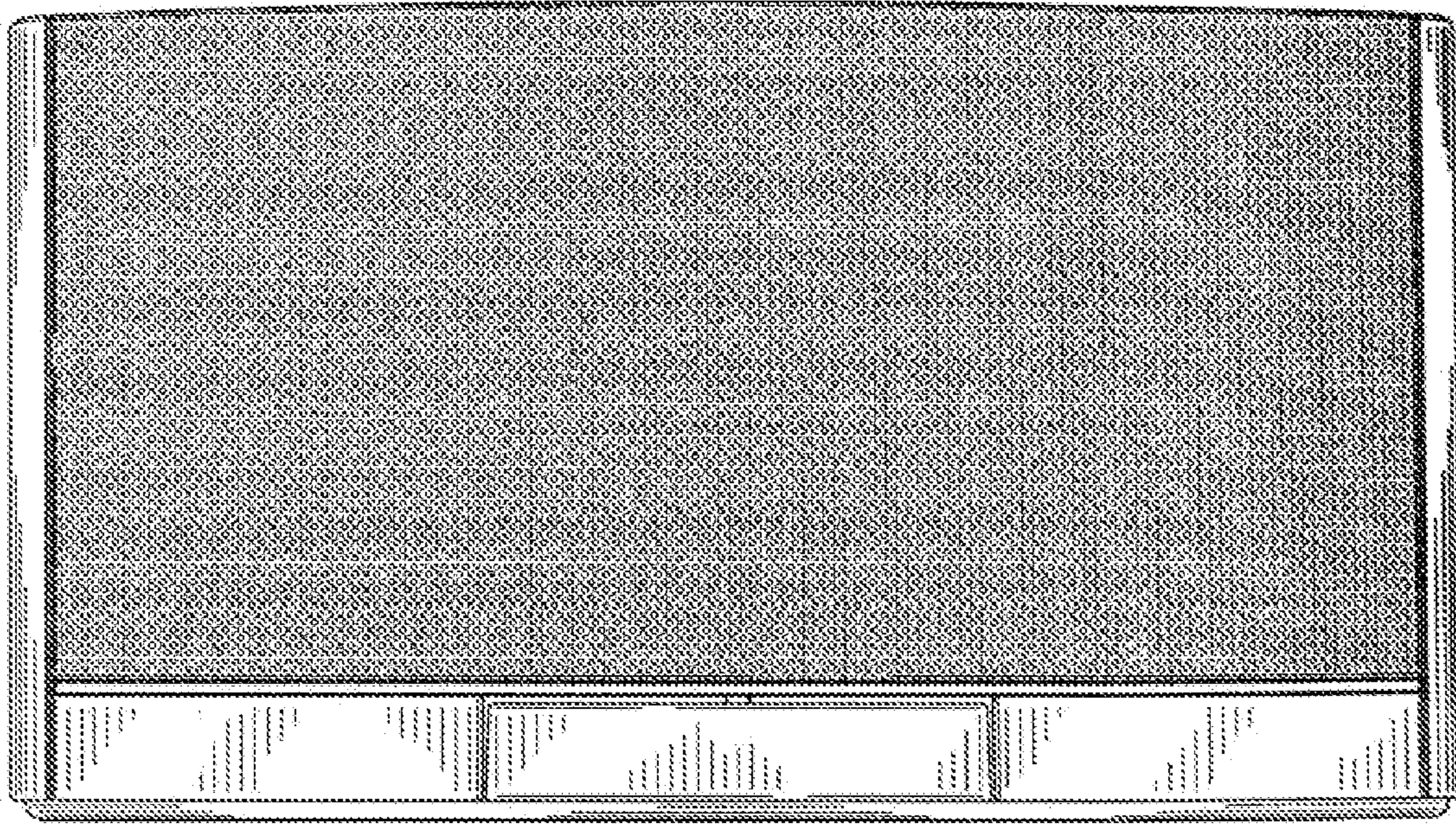


FIG. 9

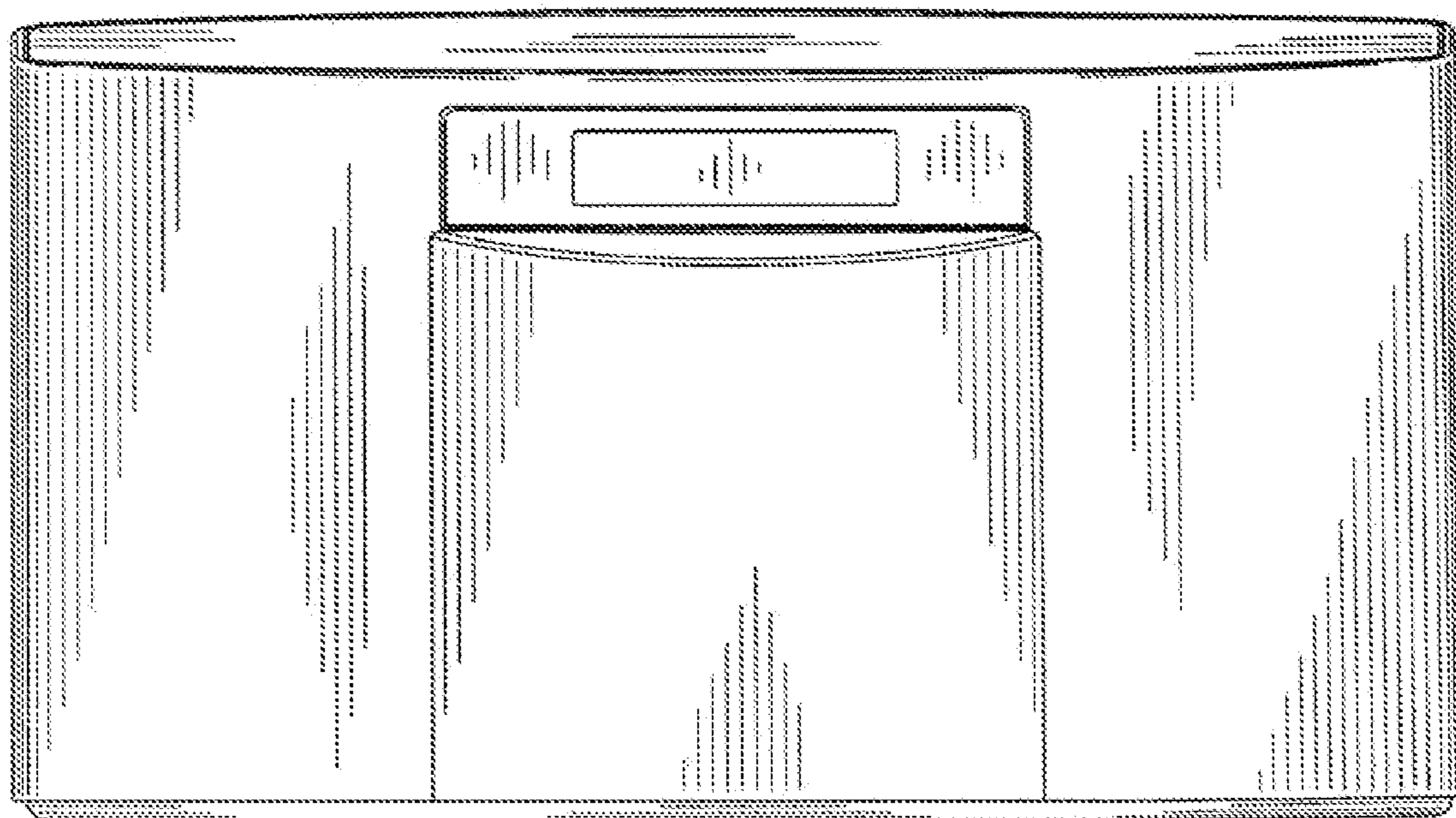


FIG. 10

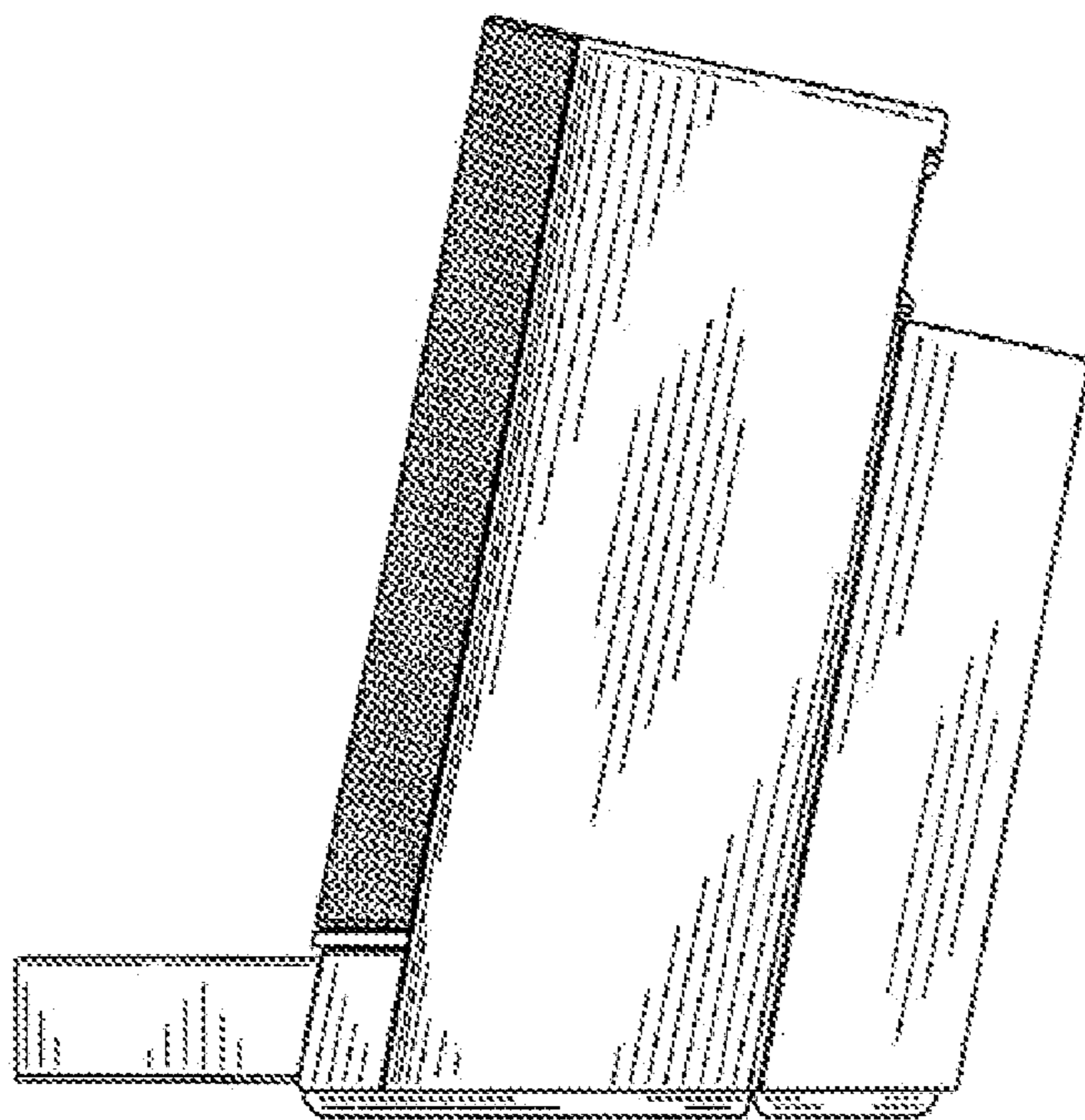


FIG. 11

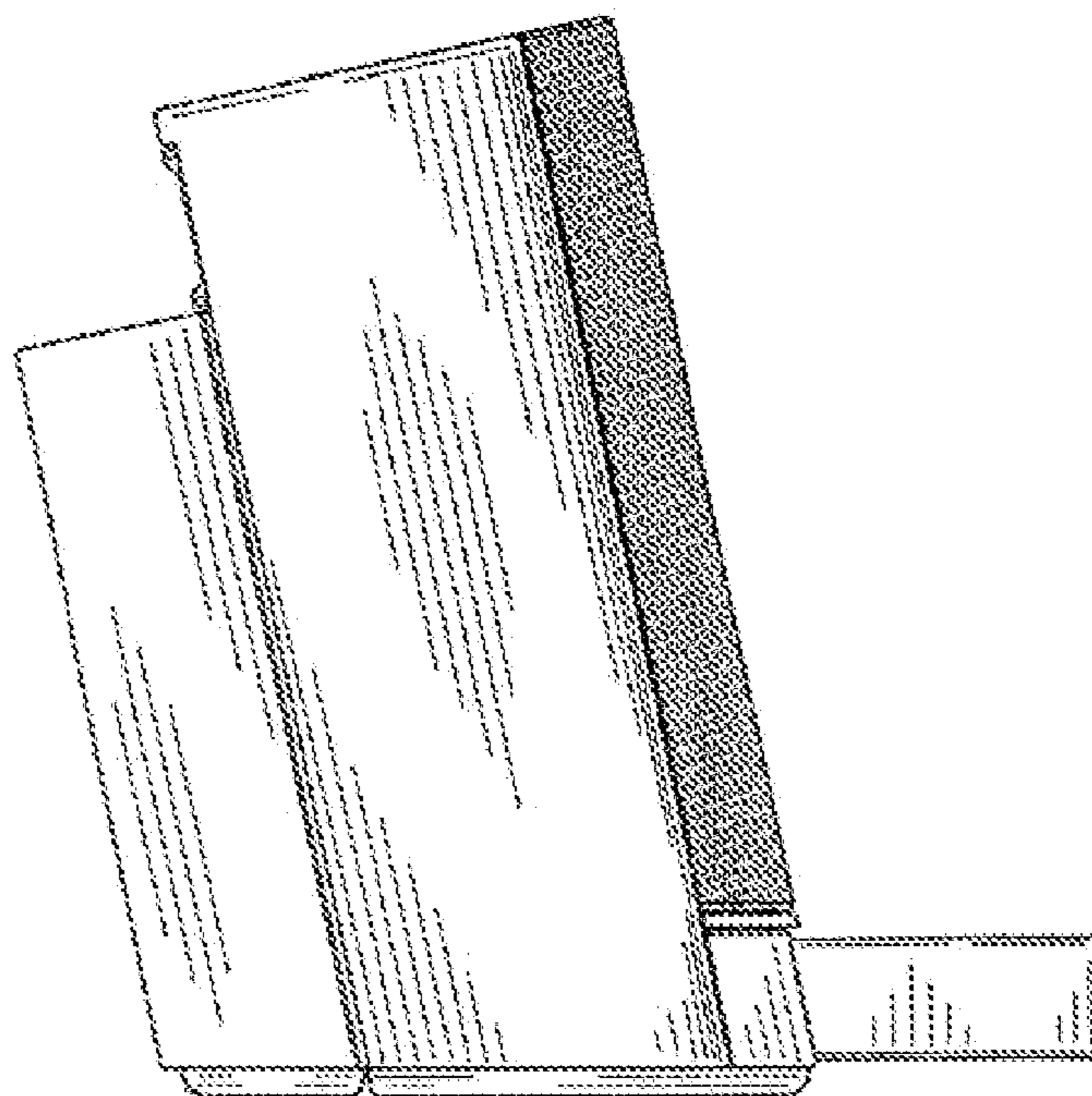


FIG. 12

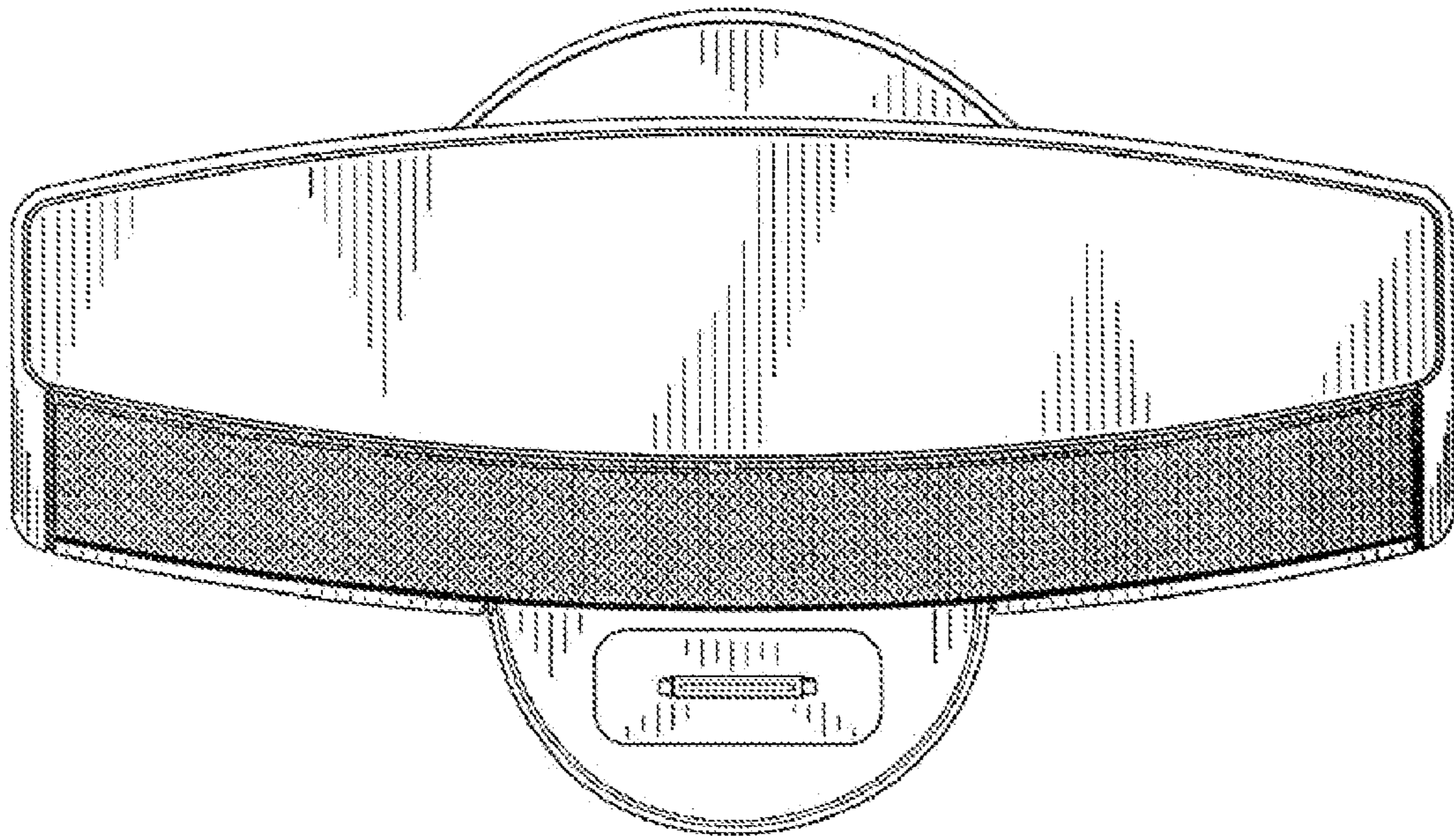


FIG. 13

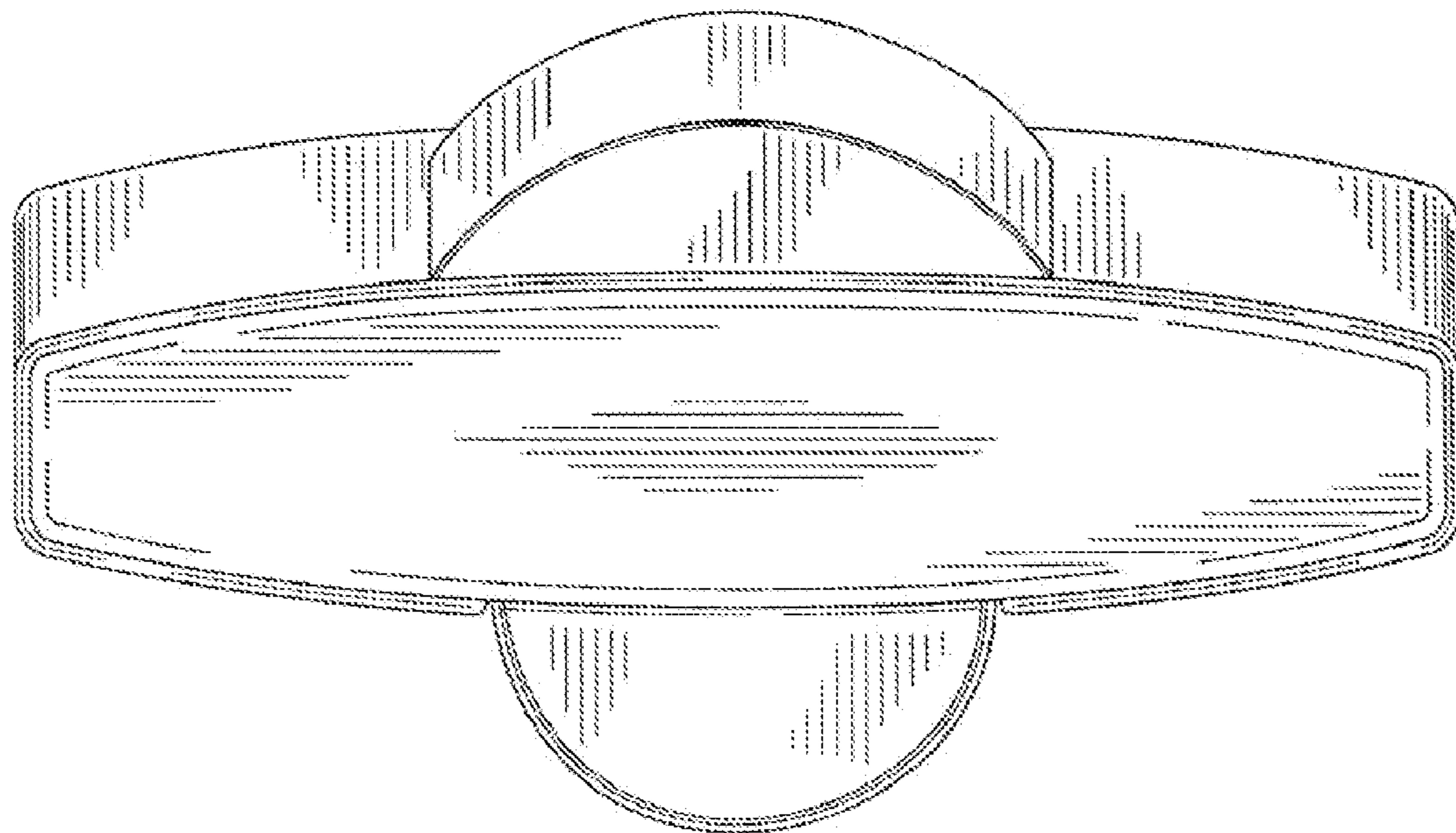


FIG. 14

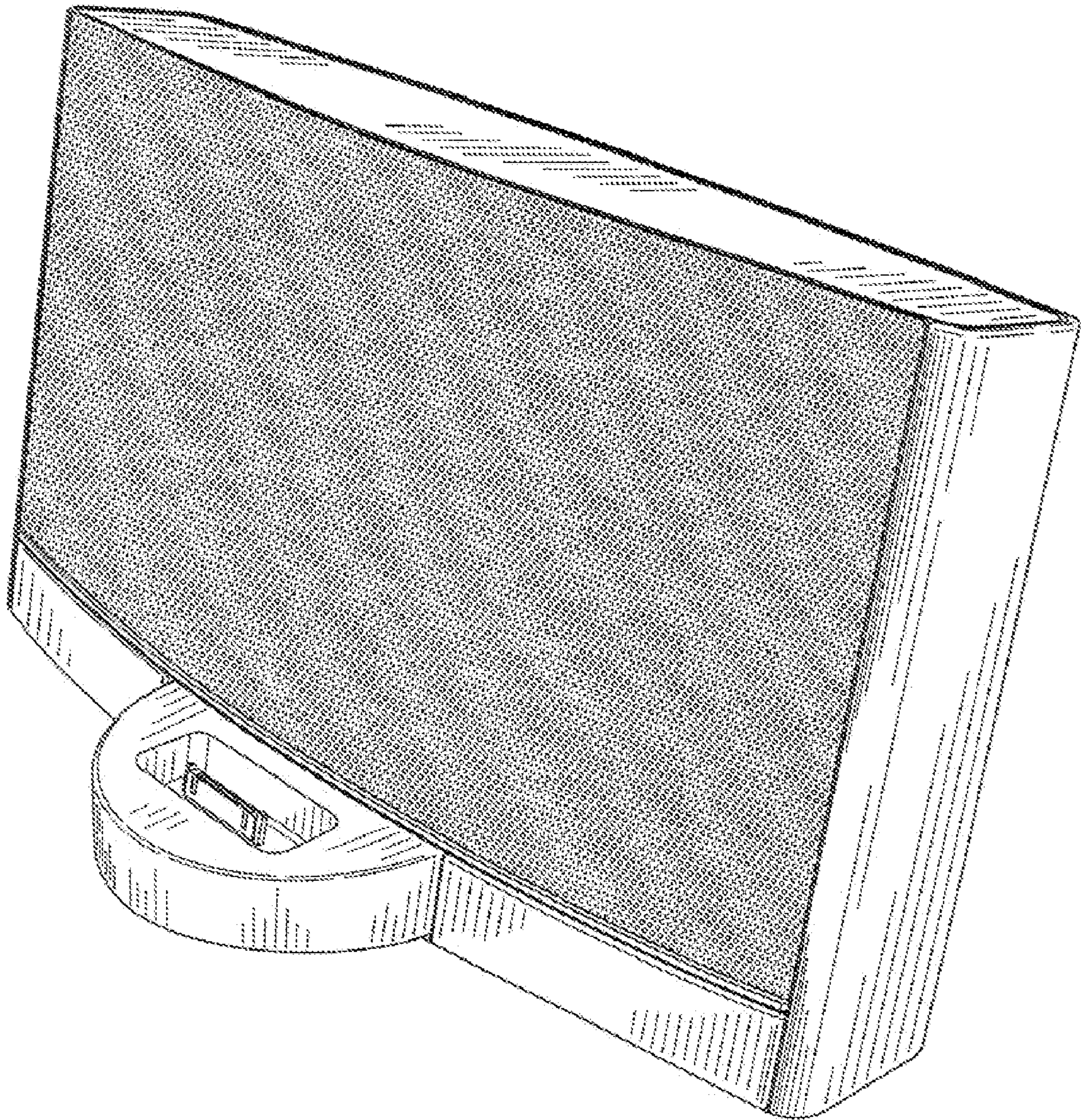


FIG. 15

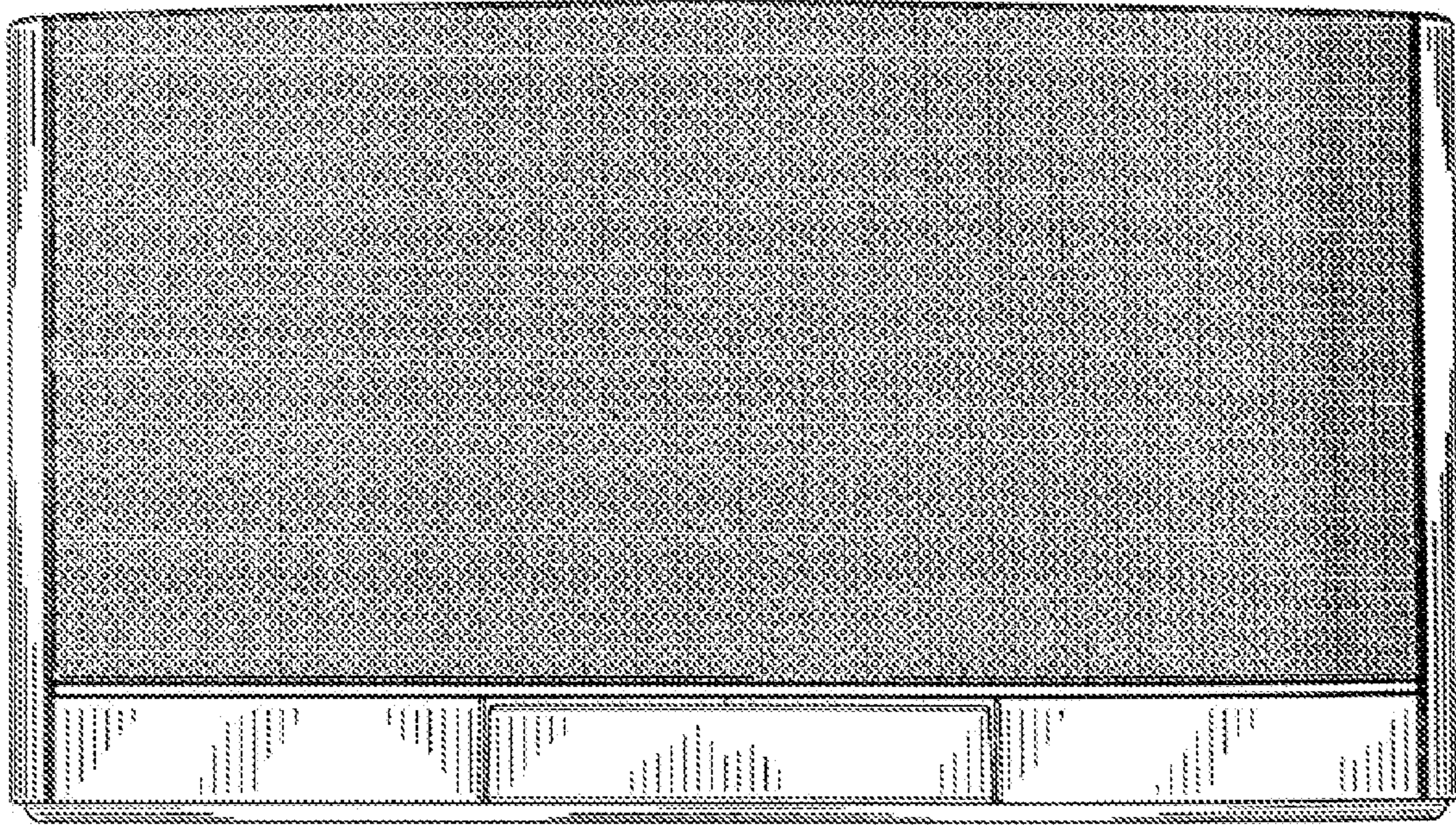


FIG. 16

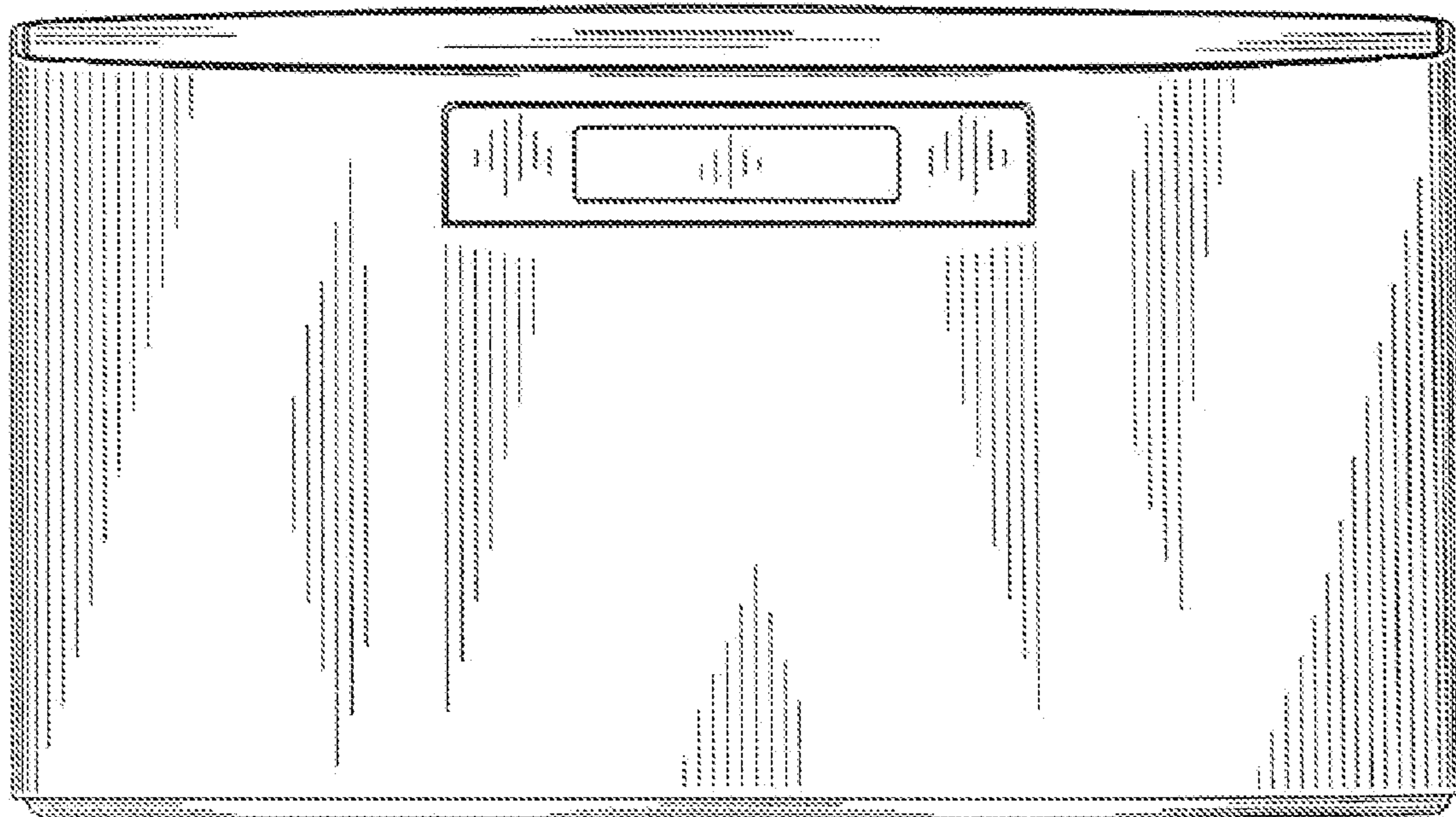


FIG. 17

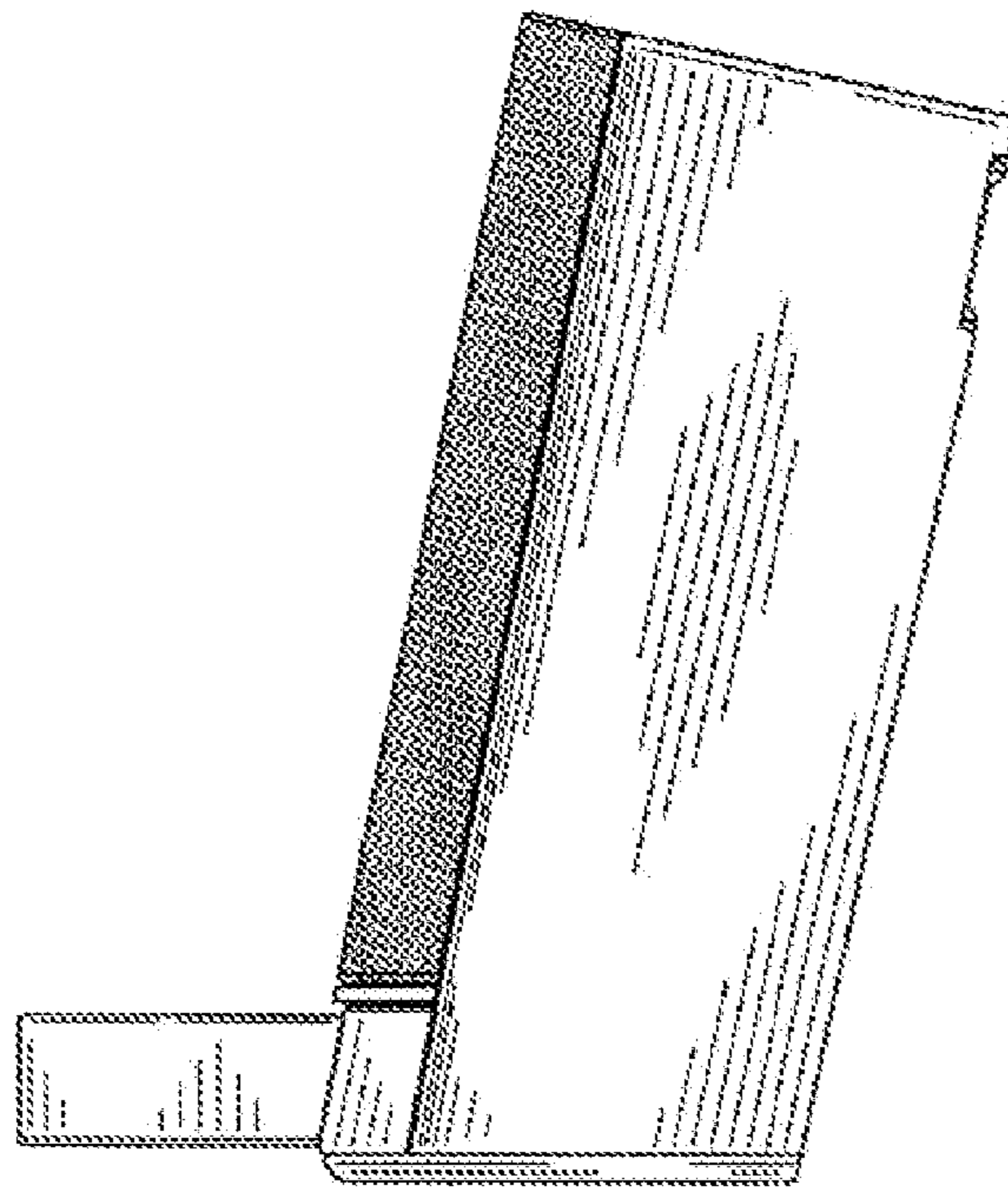


FIG. 18

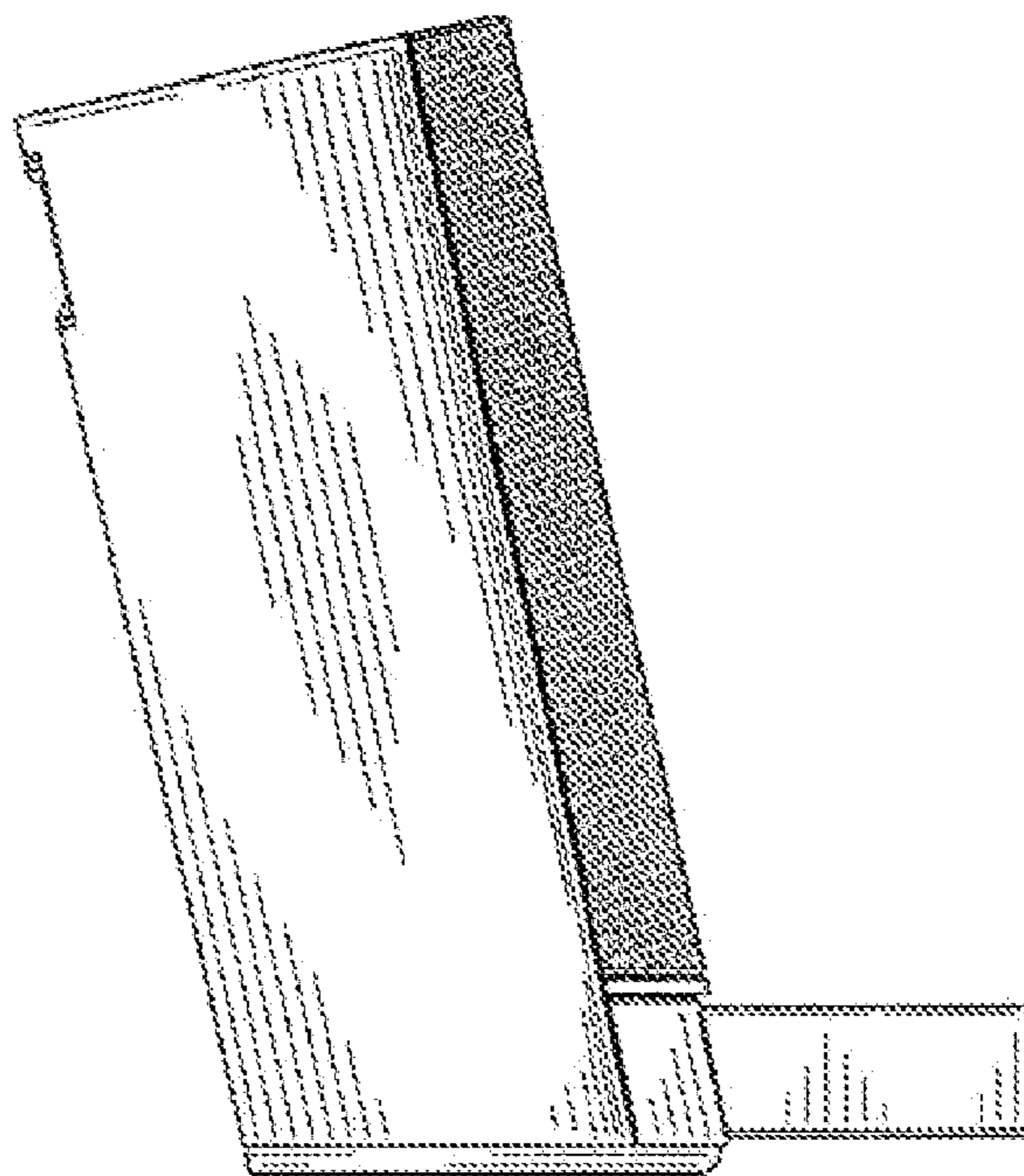


FIG. 19

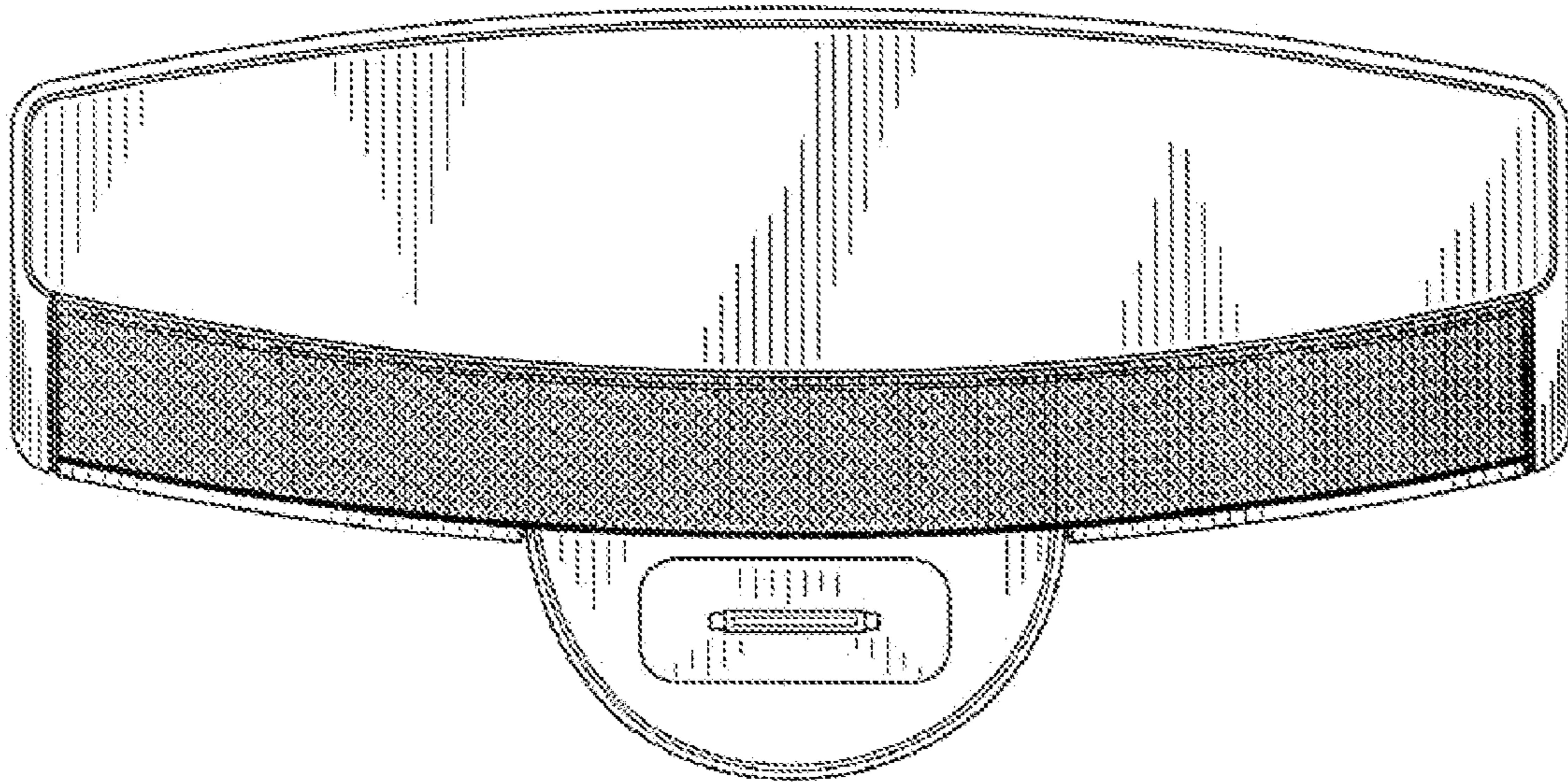


FIG. 20

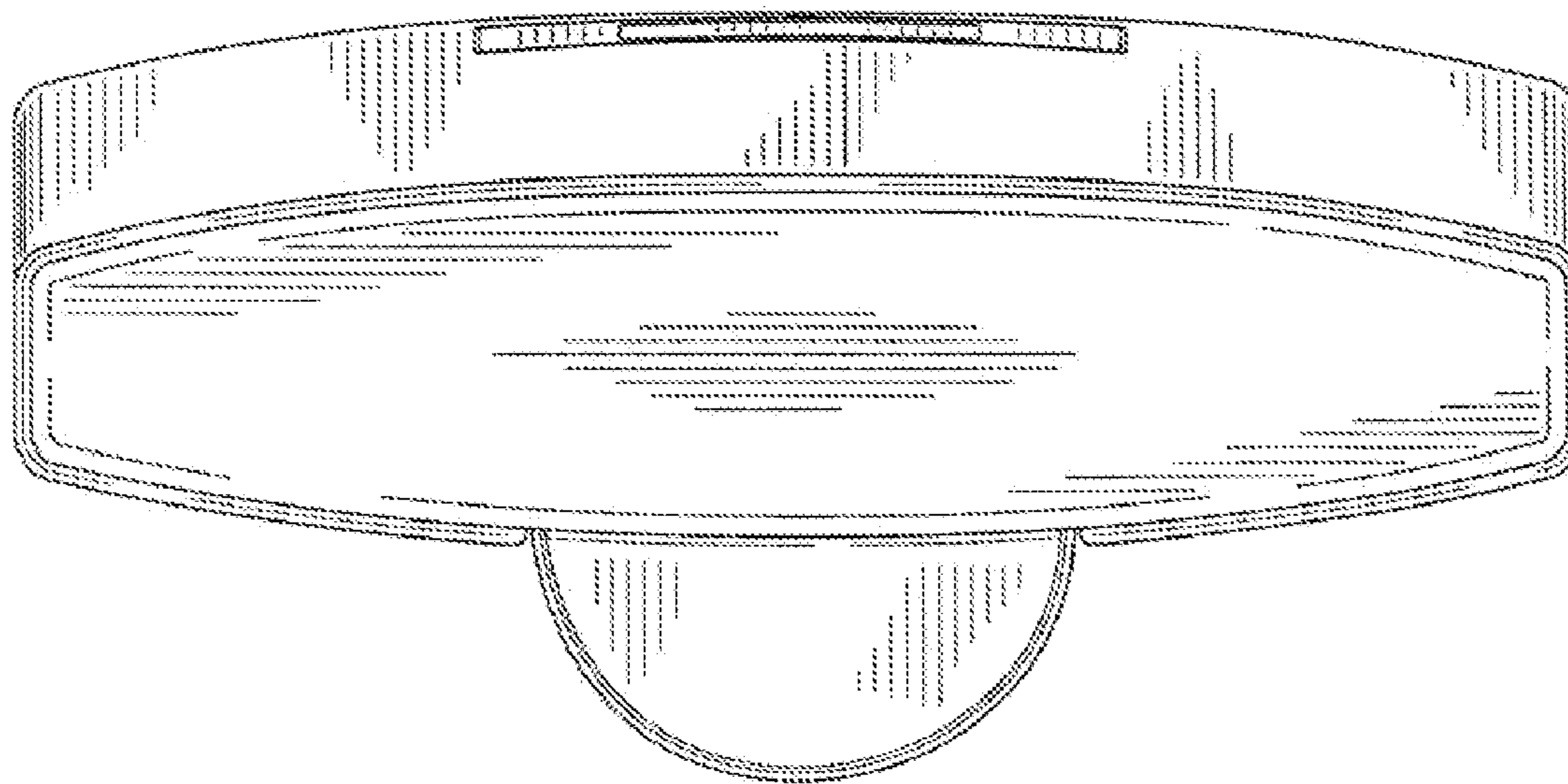


FIG. 21