

US00D563386S

(12) **United States Design Patent**  
**Foster**

(10) **Patent No.:** **US D563,386 S**  
(45) **Date of Patent:** **\*\* Mar. 4, 2008**

(54) **SPEAKER BOX**

D503,396 S 3/2005 Hisatsune  
D511,339 S 11/2005 Tsuge

(75) Inventor: **Nicholas Foster**, Surrey (GB)

(73) Assignee: **Sony Corporation**, Tokyo (JP)

(\*\*) Term: **14 Years**

(21) Appl. No.: **29/269,915**

(22) Filed: **Dec. 12, 2006**

(30) **Foreign Application Priority Data**

Aug. 29, 2006 (JP) ..... D2006-022784

(51) **LOC (8) Cl.** ..... **14-01**

(52) **U.S. Cl.** ..... **D14/214; D14/216**

(58) **Field of Classification Search** ..... D14/204,  
D14/209-216; 181/143-144, 147-148, 150,  
181/157, 198, 199, 151, 153; 381/300-302,  
381/306, 333, 345, 361-364, 386-388, 332,  
381/336

See application file for complete search history.

(56) **References Cited**

**U.S. PATENT DOCUMENTS**

D379,093 S \* 5/1997 Vollum et al. .... D14/216  
D379,627 S 6/1997 Takahashi  
D421,607 S 3/2000 Hakoda  
D491,166 S \* 6/2004 Hakoda ..... D14/214

**OTHER PUBLICATIONS**

“WII”, NEWPRODUCTS, p. 4 (Feb. 1992) JPO Design Publication Reference No. HC04004601, Cited by the JPO in Office Action mailed Mar. 27, 2007.

\* cited by examiner

*Primary Examiner*—Nanda Bondade

(74) *Attorney, Agent, or Firm*—Rader, Fishman & Grauer, PLLC

(57) **CLAIM**

The ornamental design for a speaker box, as shown.

**DESCRIPTION**

FIG. 1 is a perspective view of a speaker box showing my new design;

FIG. 2 is a front elevational view thereof;

FIG. 3 is a rear elevational view thereof;

FIG. 4 is a left side elevational view thereof;

FIG. 5 is a right side elevational view thereof;

FIG. 6 is a top plan view thereof; and,

FIG. 7 is a bottom plan view thereof.

**1 Claim, 7 Drawing Sheets**

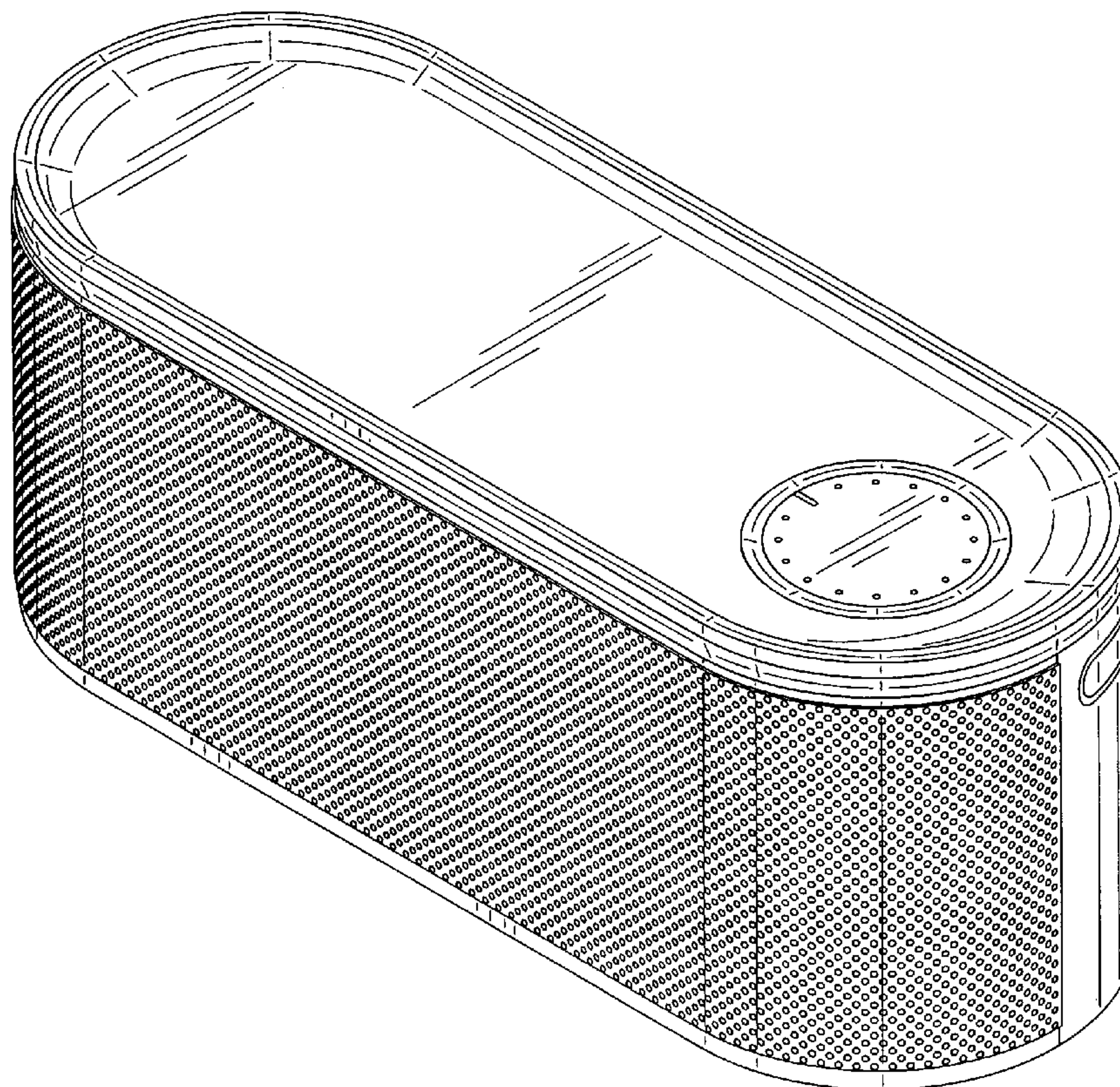




Fig.1

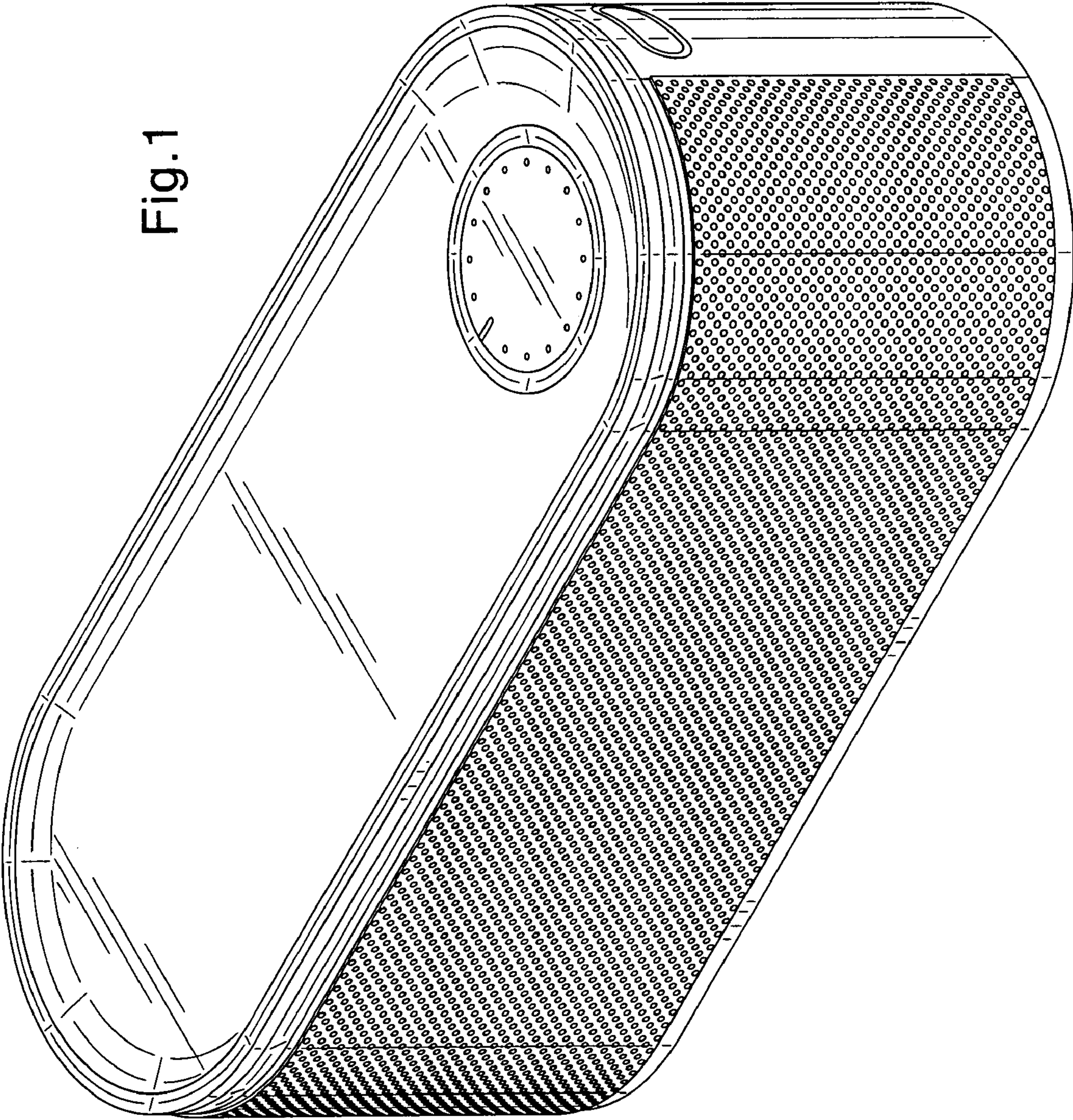




Fig. 2

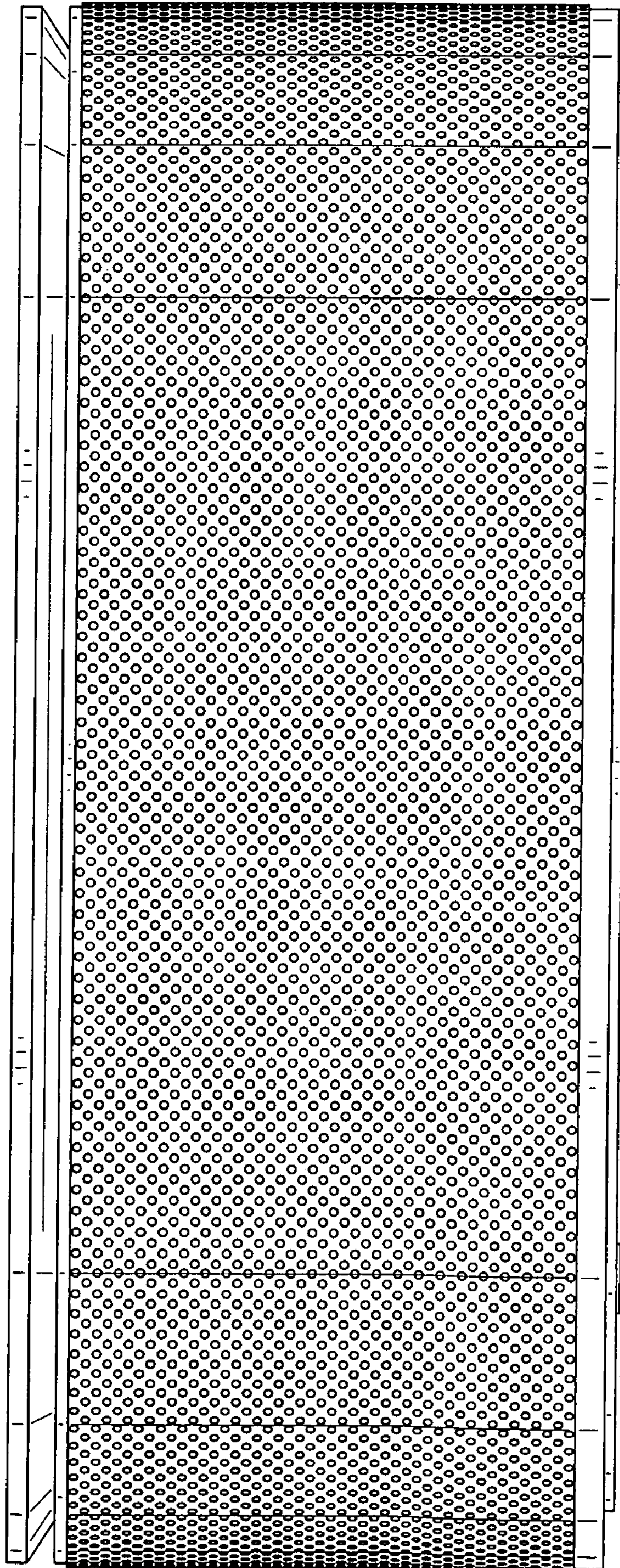


Fig. 3

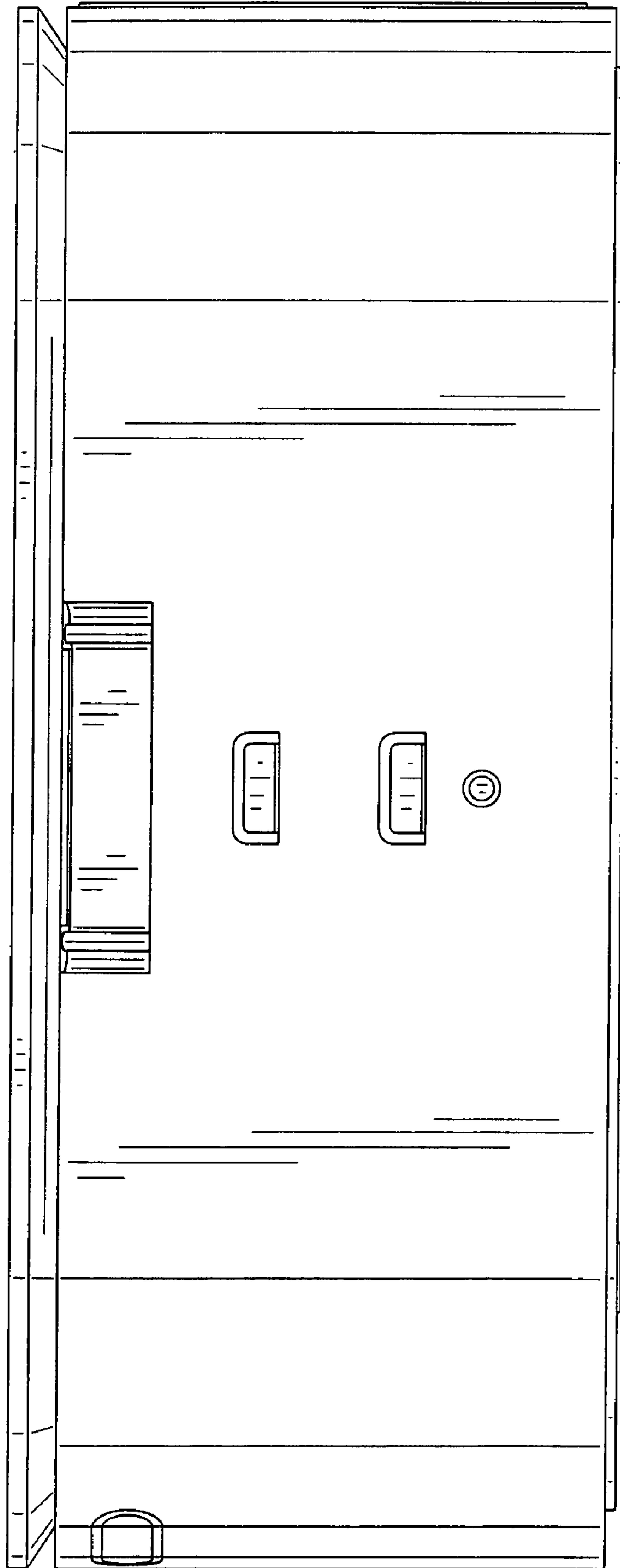


Fig. 4

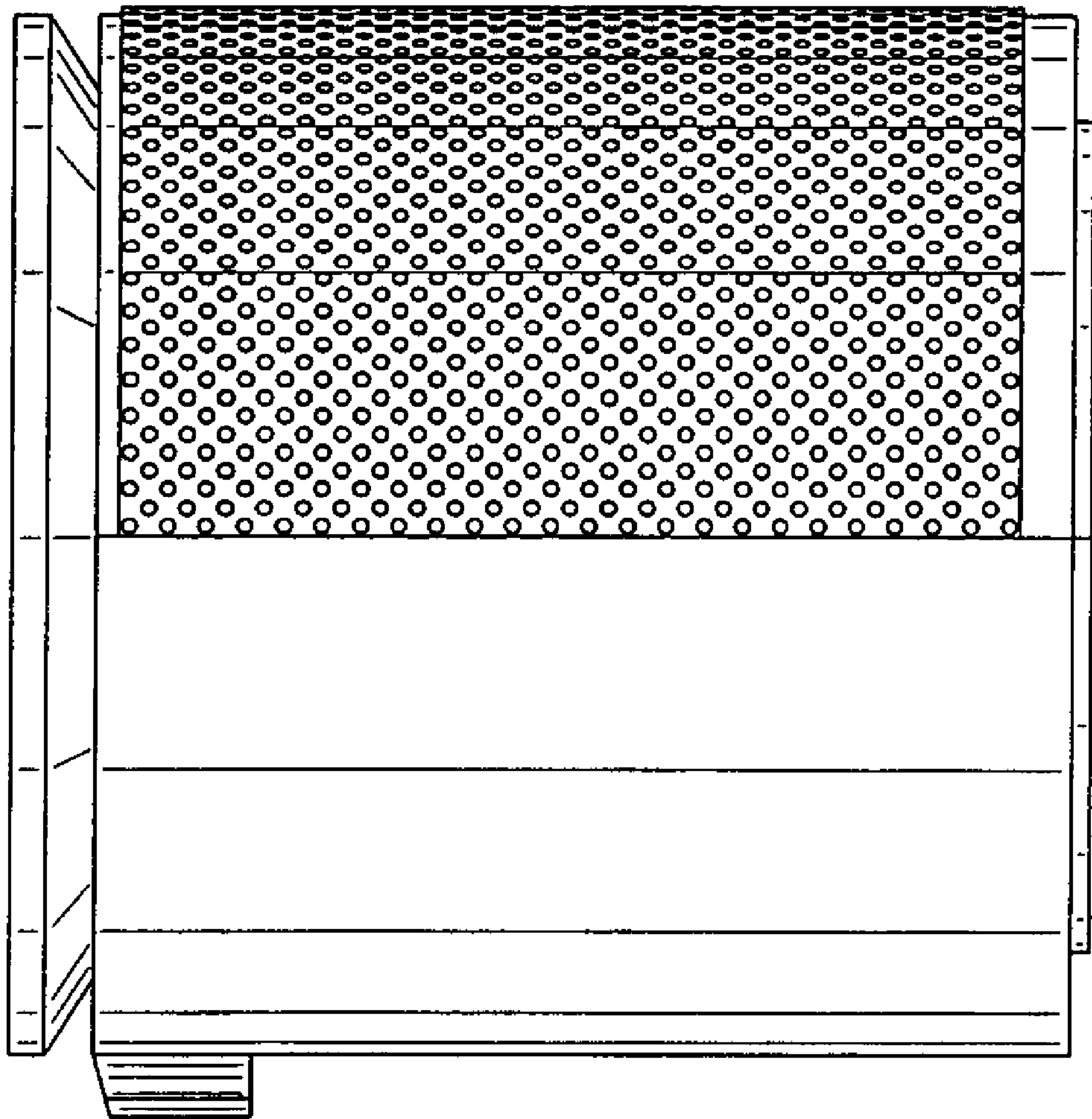




Fig. 5

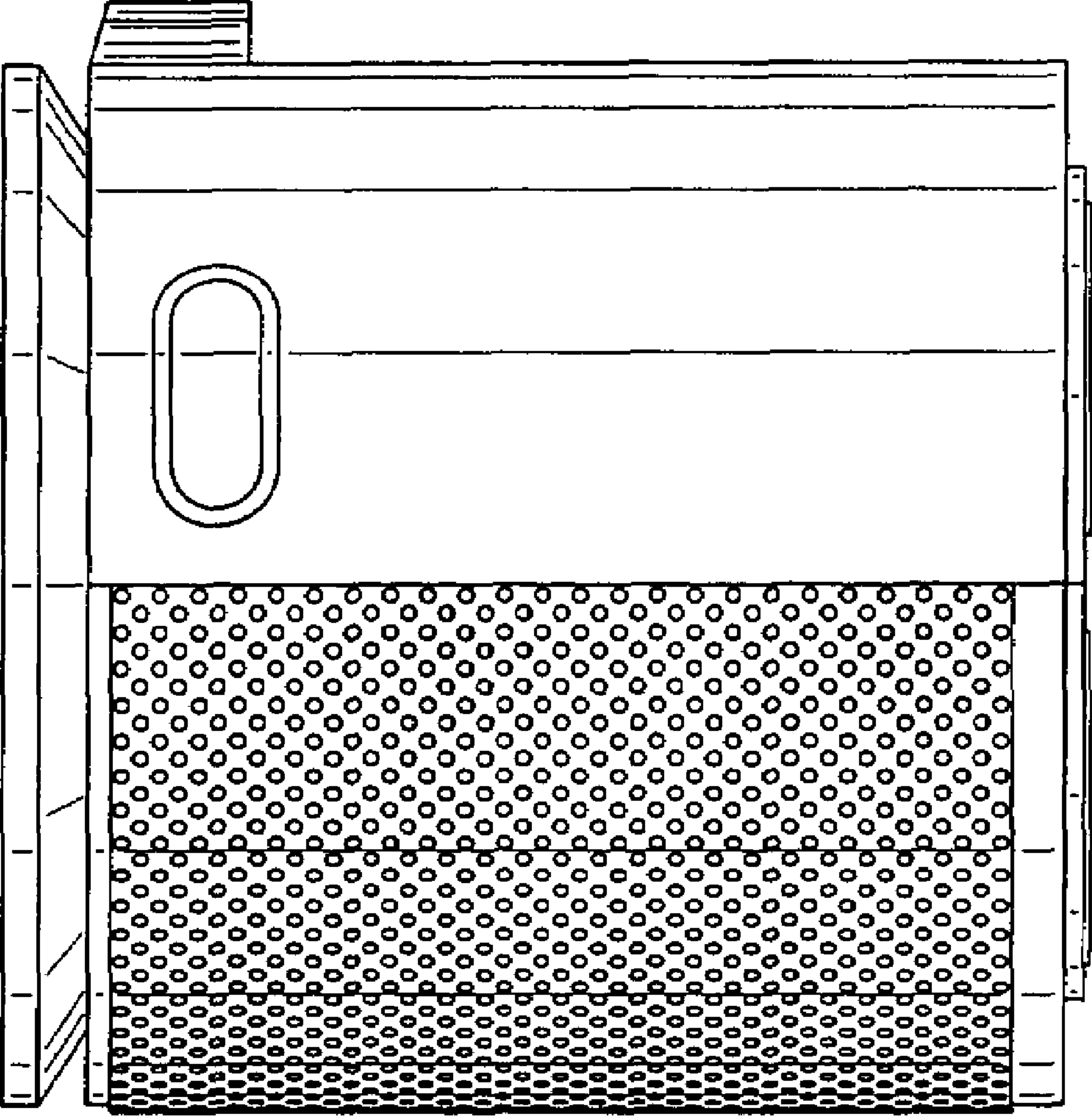


Fig.6

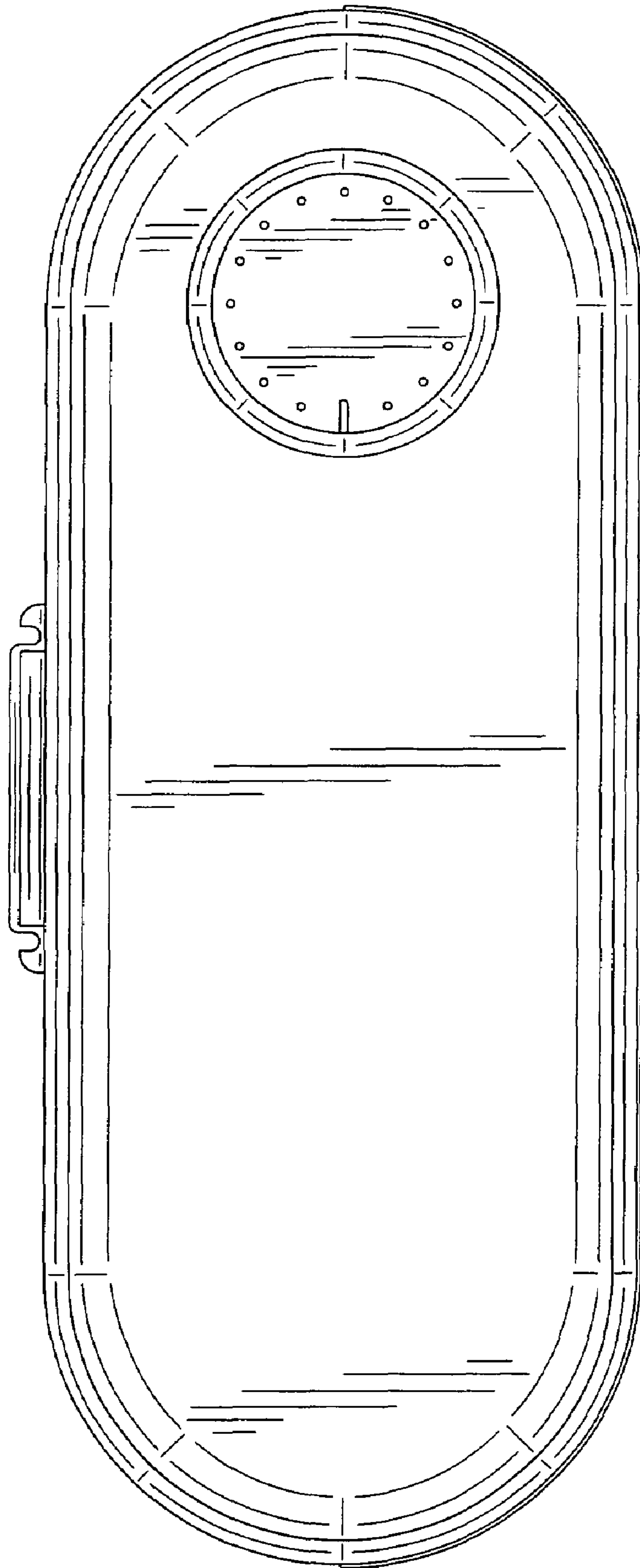


Fig. 7

