

US00D563385S

(12) **United States Design Patent**
Skurdal

(10) **Patent No.:** **US D563,385 S**

(45) **Date of Patent:** **** Mar. 4, 2008**

(54) **AUDIO UNIT WITH MP3 PLAYER SUPPORT**

(57) **CLAIM**

(75) Inventor: **Andrew Skurdal**, Avenel, NJ (US)

The ornamental design for a audio unit with MP3 player support, as shown and described.

(73) Assignee: **SDI Technologies, Inc.**, Rahway, NJ (US)

(**) Term: **14 Years**

DESCRIPTION

(21) Appl. No.: **29/251,095**

FIG. 1 is a top, front, left side, perspective view of an audio unit with MP3 player support showing my new design;

(22) Filed: **Jan. 4, 2006**

FIG. 2 is a top view thereof;

(51) **LOC (8) Cl.** **14-01**

FIG. 3 is a front view thereof;

(52) **U.S. Cl.** **D14/214; D14/217**

FIG. 4 is a rear view thereof;

(58) **Field of Classification Search** D14/204, D14/207, 214, 217, 156, 168, 172, 496; 181/143-144, 181/147-148, 150, 157, 198-199, 151, 153; 381/300-302, 306, 333, 345, 361-364, 386-388, 381/332, 336

FIG. 5 is a right side view thereof, the left side being a mirror image;

See application file for complete search history.

FIG. 6 is a bottom view thereof;

(56) **References Cited**

FIG. 7 is a perspective view thereof in an alternate condition;

U.S. PATENT DOCUMENTS

D360,637 S *	7/1995	Arie	D14/214
D493,154 S *	7/2004	Hussaini et al.	D14/217
D510,584 S *	10/2005	Tierney	D14/496
D527,722 S *	9/2006	Yeh	D14/215

FIG. 8 is a top view thereof;

FIG. 9 is a front view thereof;

FIG. 10 is a rear view thereof;

FIG. 11 is a right side view thereof, the left side being a mirror image; and,

FIG. 12 is a bottom view thereof.

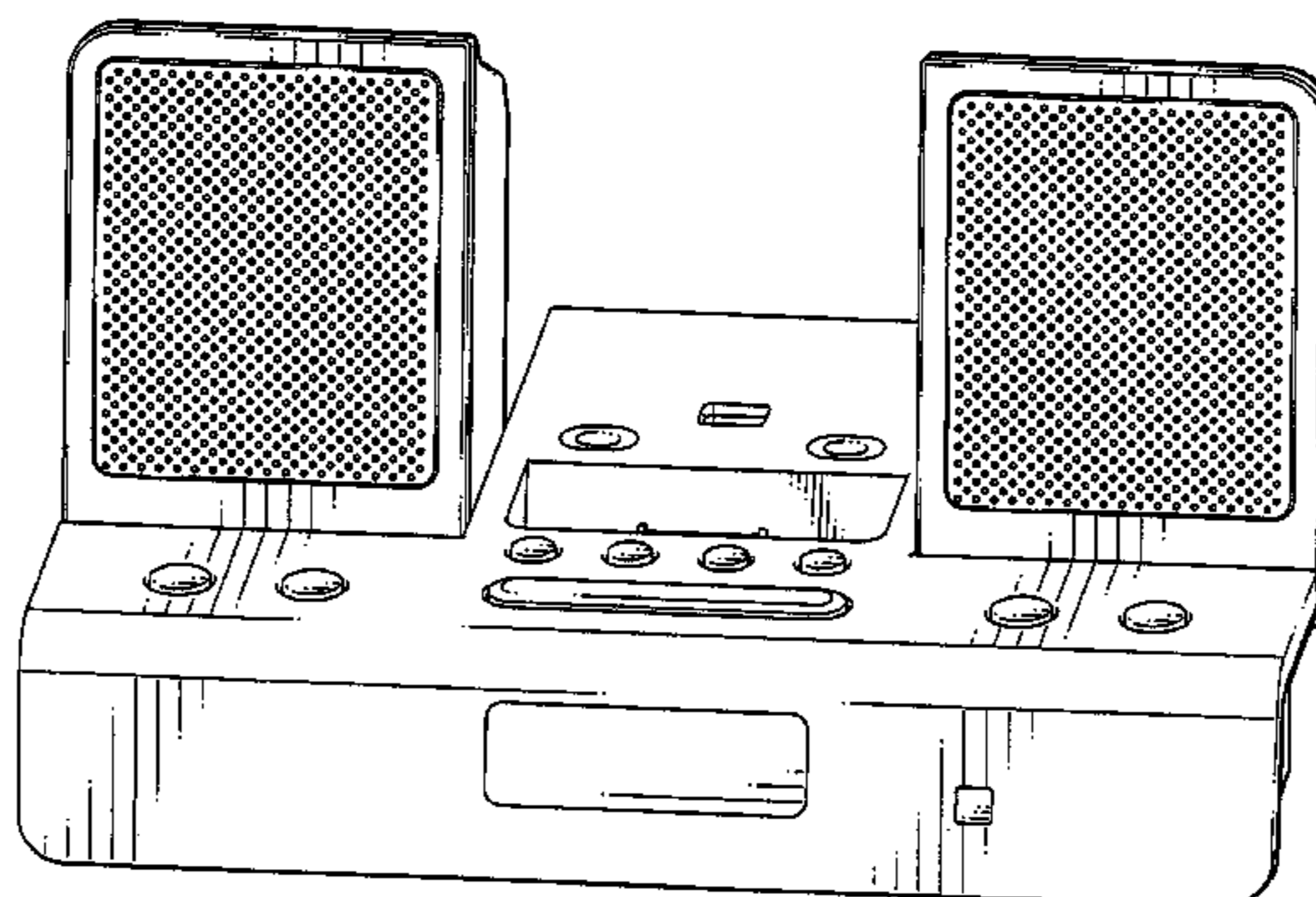
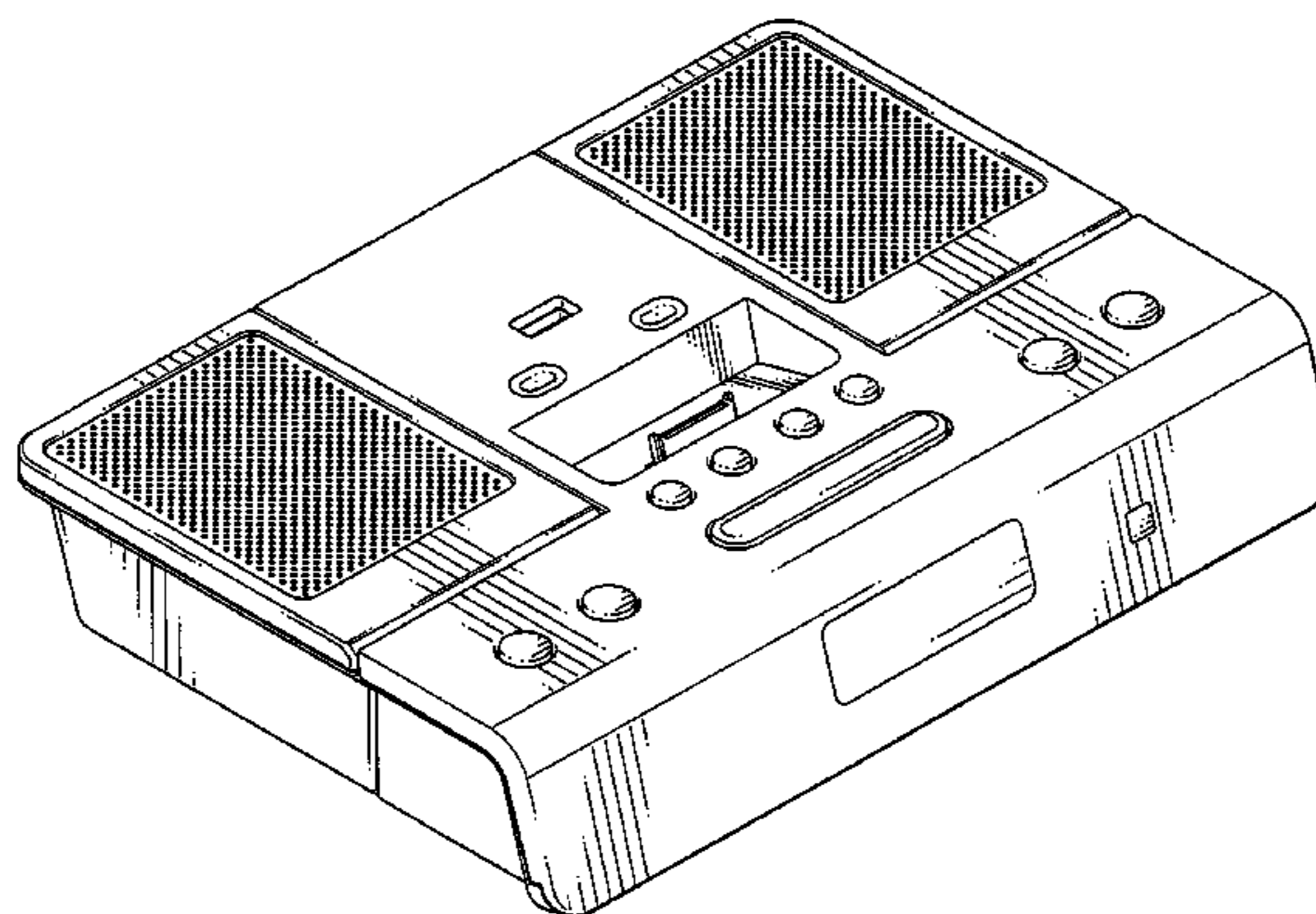
* cited by examiner

The broken line showing of the drawing disclosure is for illustrative purposes only and forms no part of the claimed design.

Primary Examiner—Nanda Bondade

(74) *Attorney, Agent, or Firm*—Ostrolenk, Faber, Gerb & Soffen, LLP

1 Claim, 11 Drawing Sheets



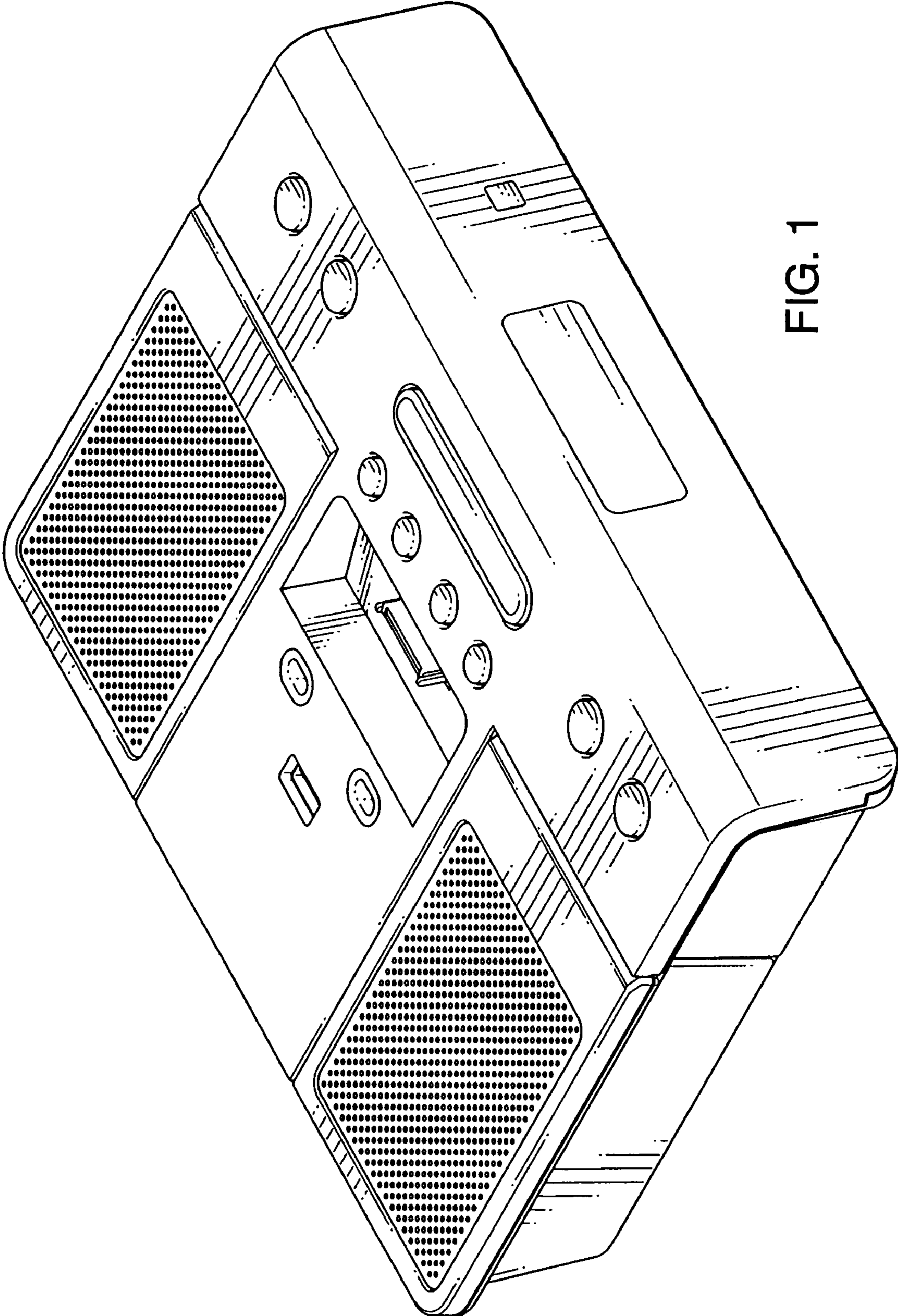


FIG. 1

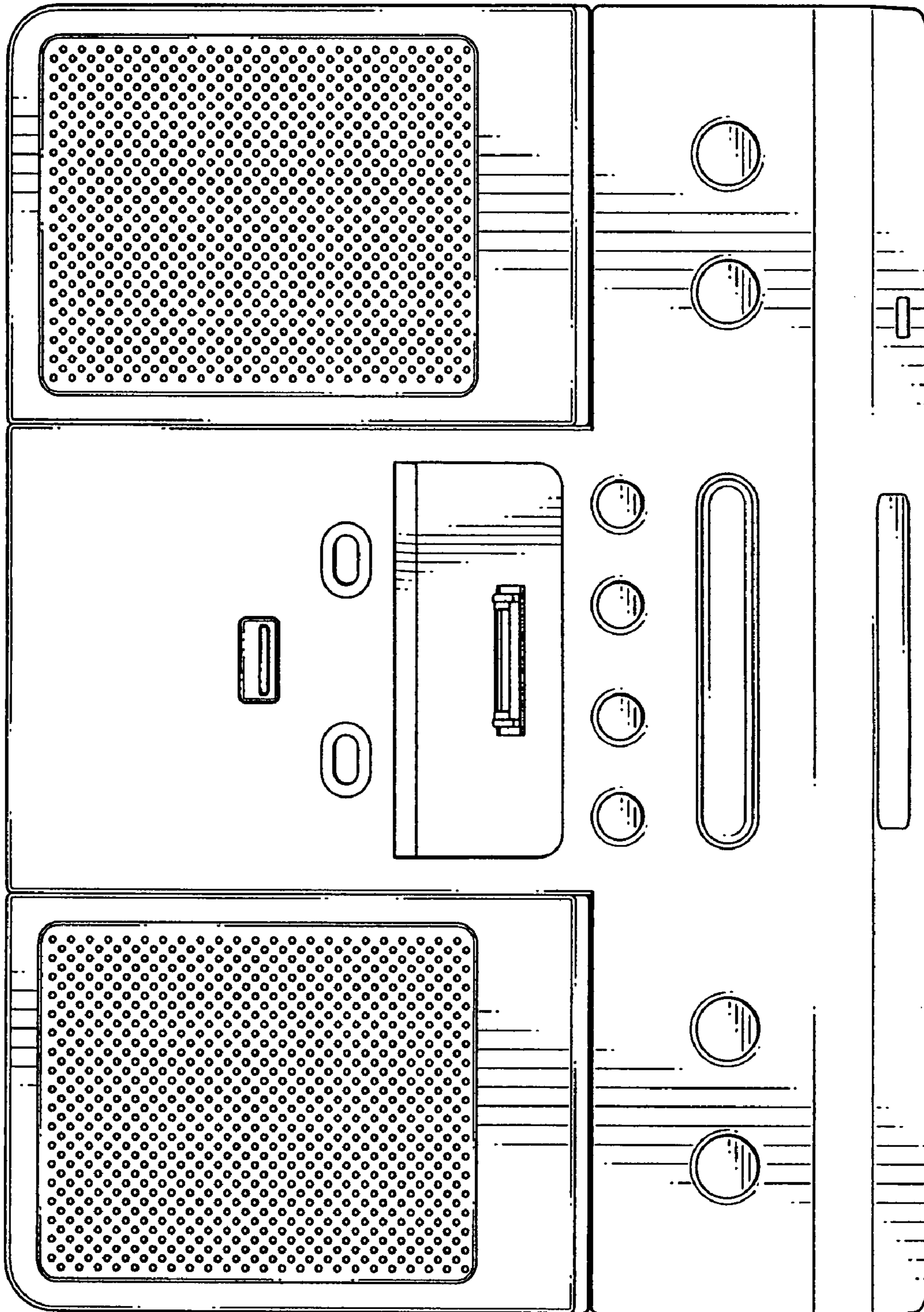


FIG. 2

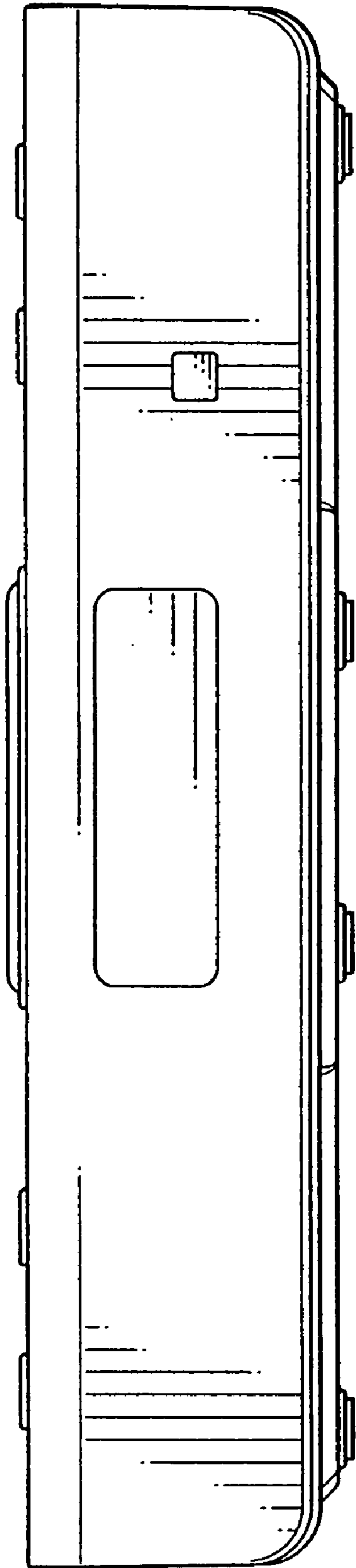


FIG. 3

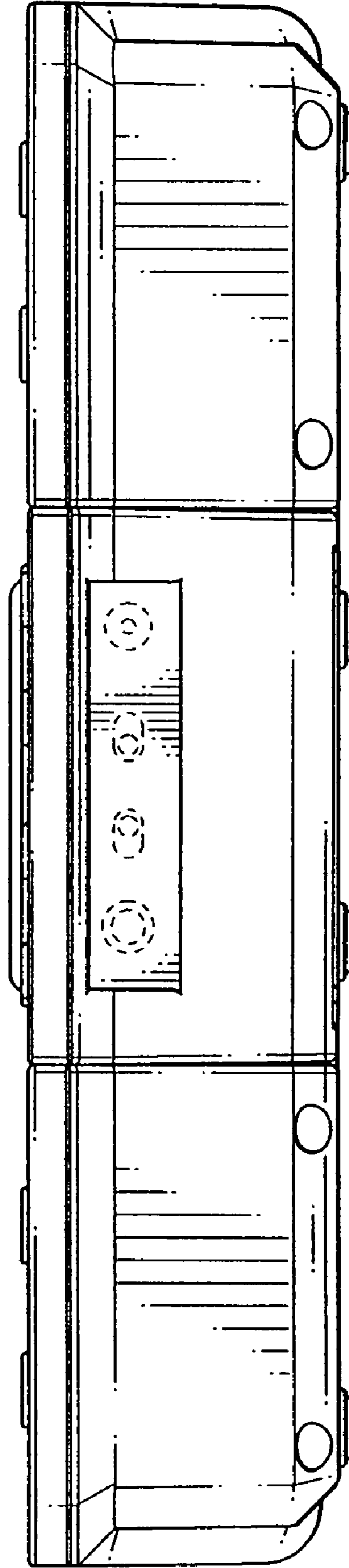


FIG. 4

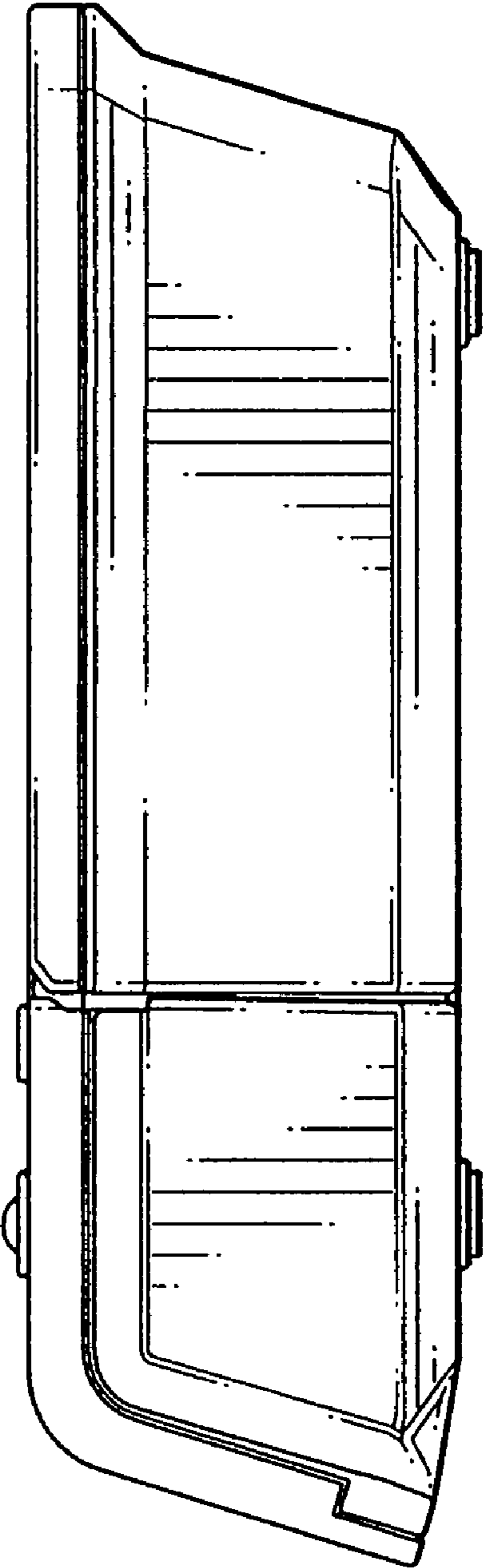


FIG. 5

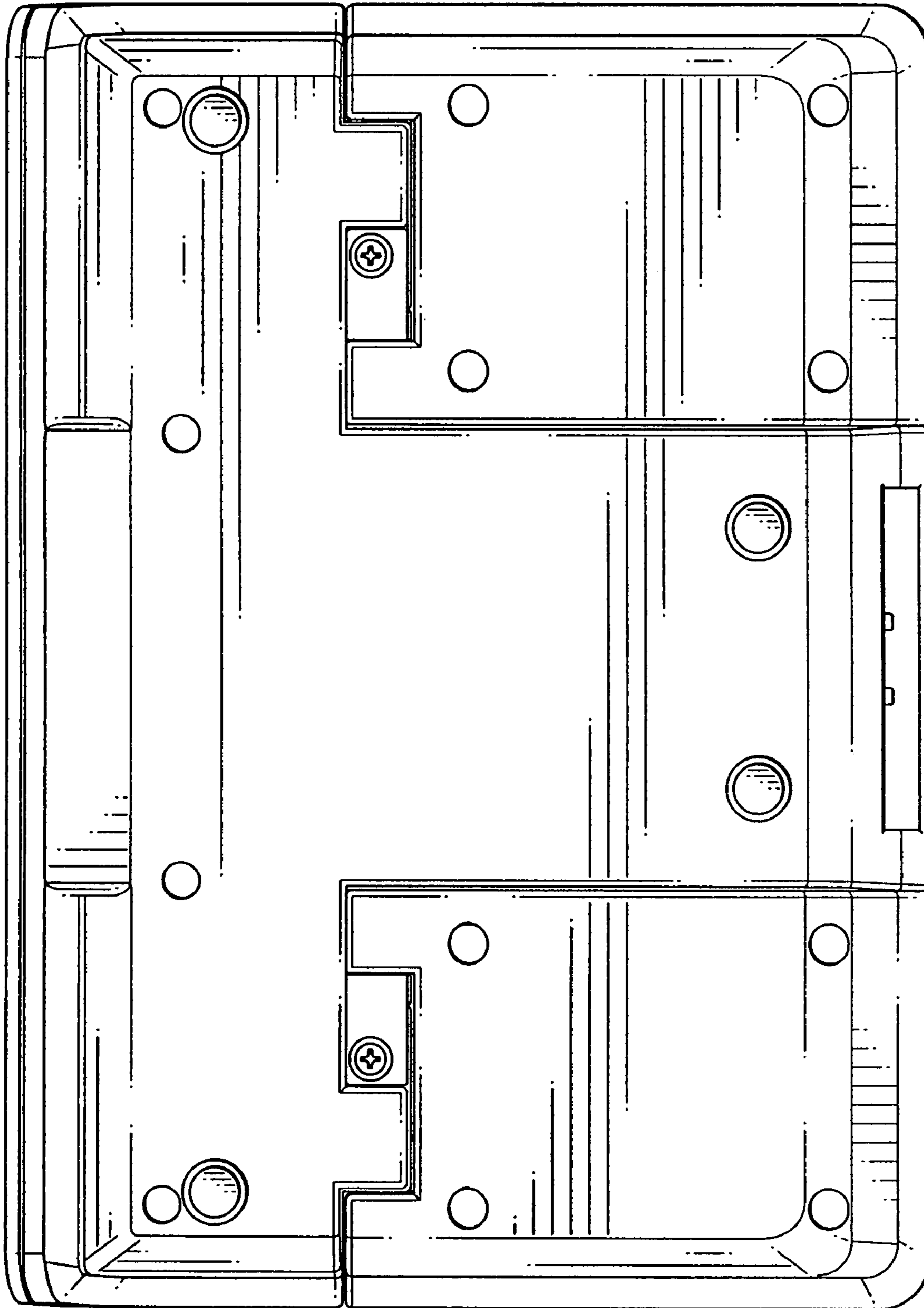


FIG. 6

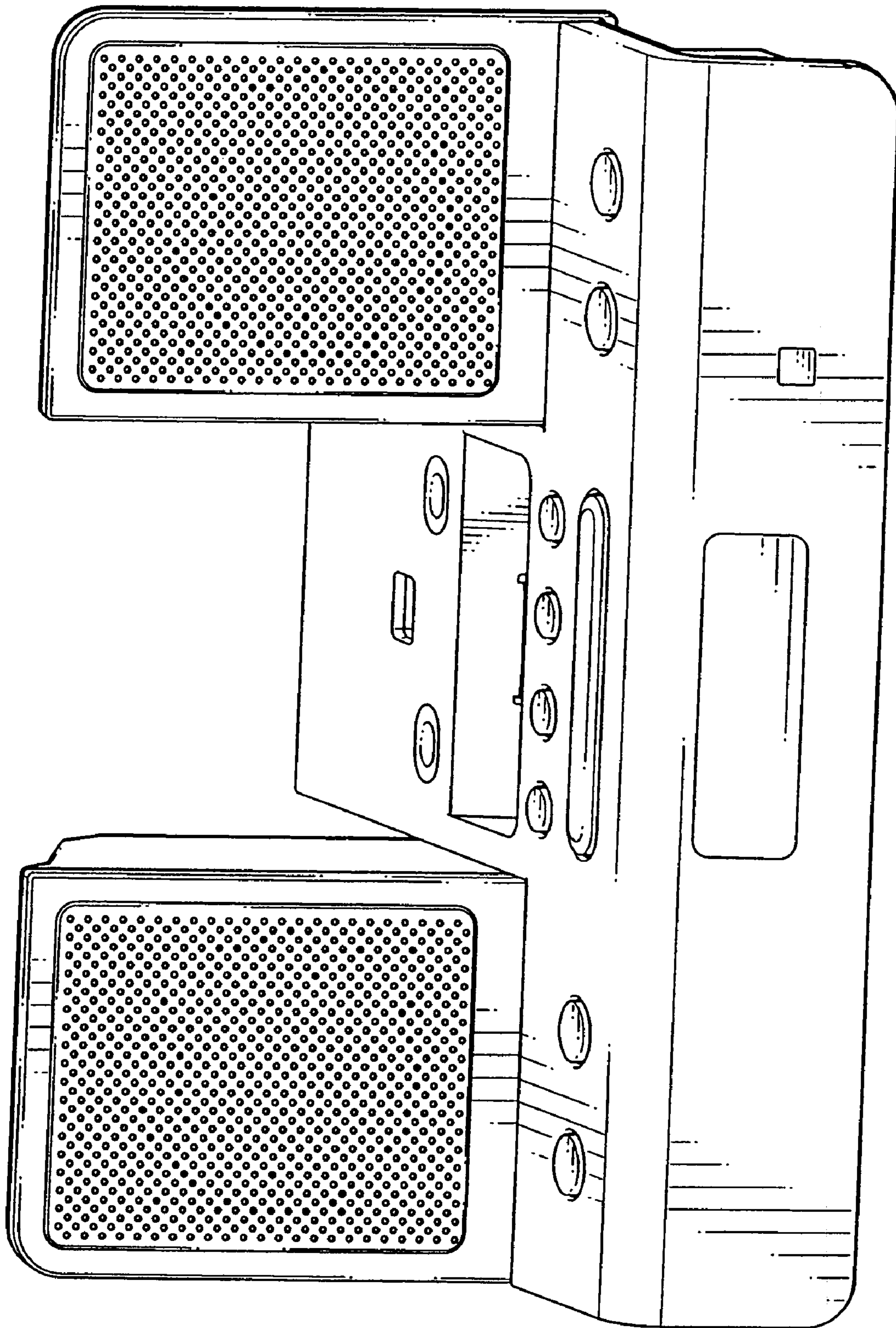


FIG. 7

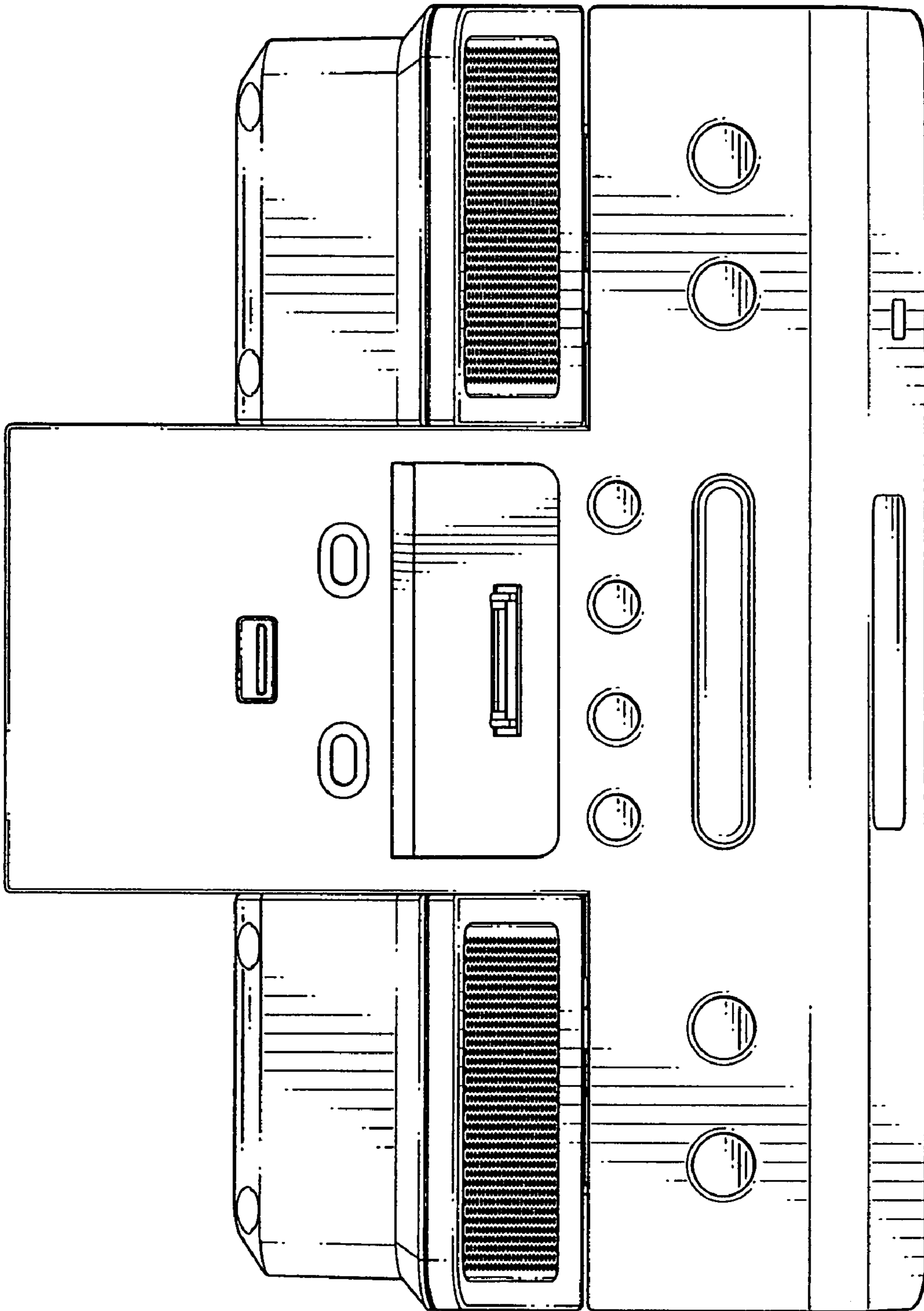


FIG. 8

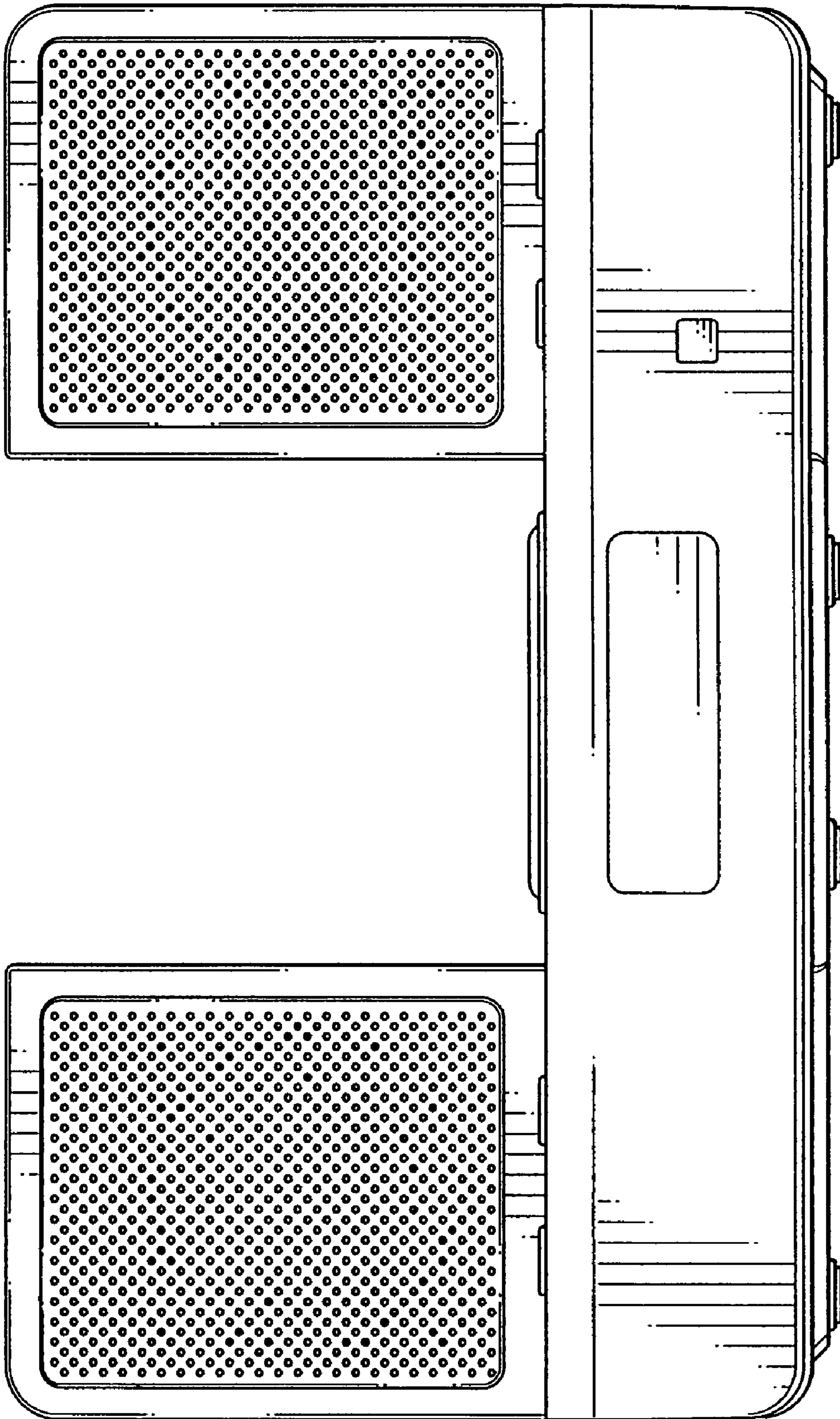


FIG. 9

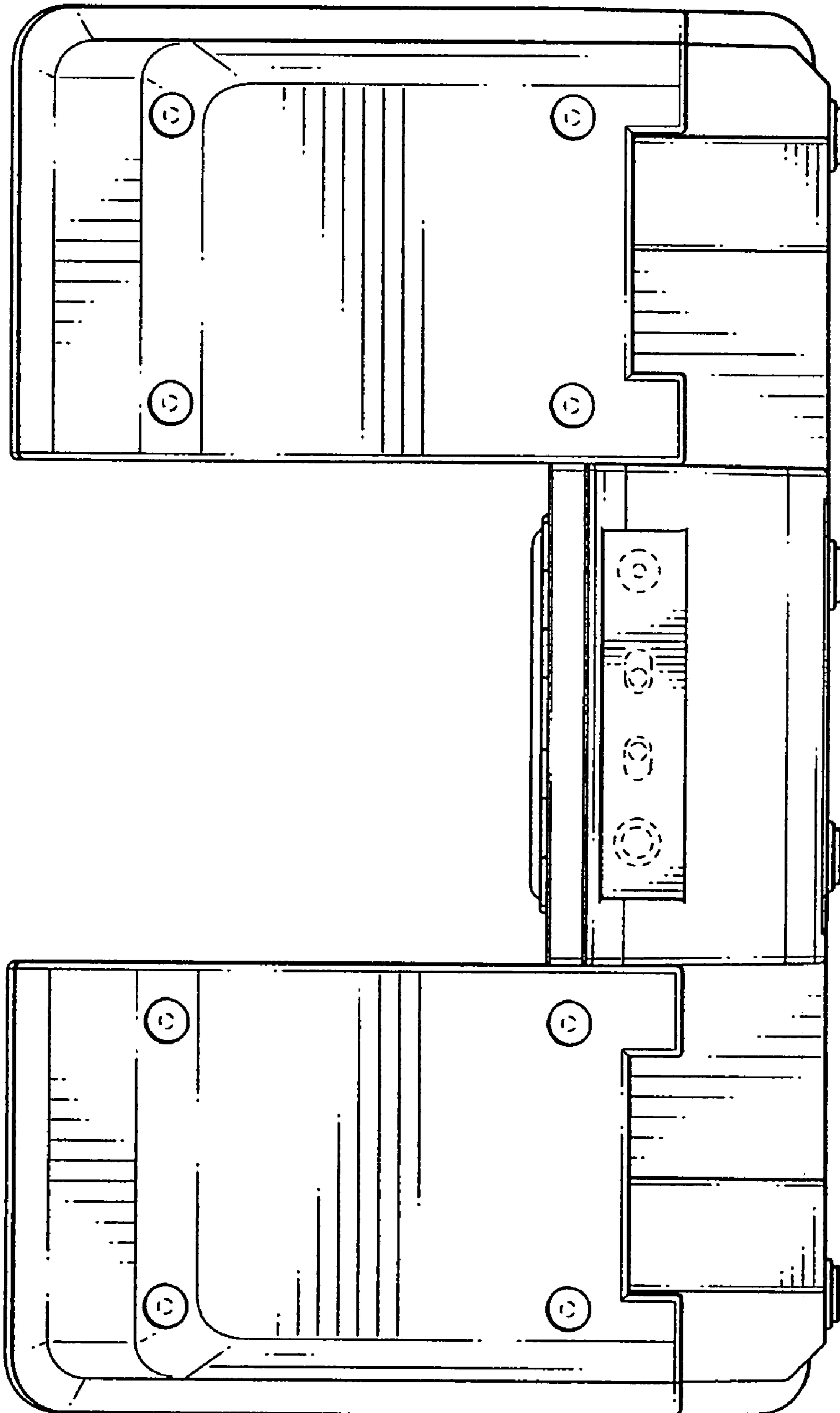


FIG. 10

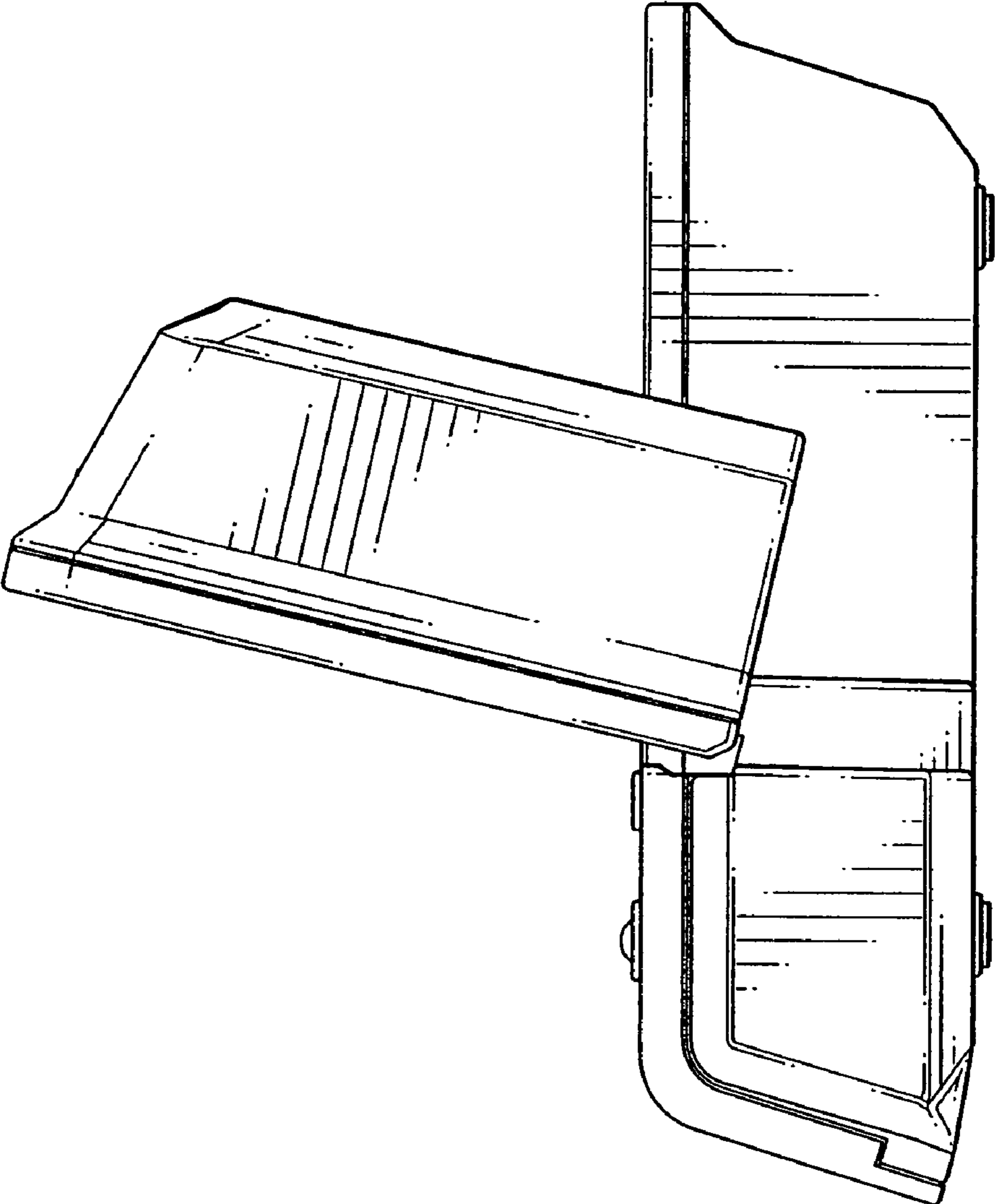


FIG. 11

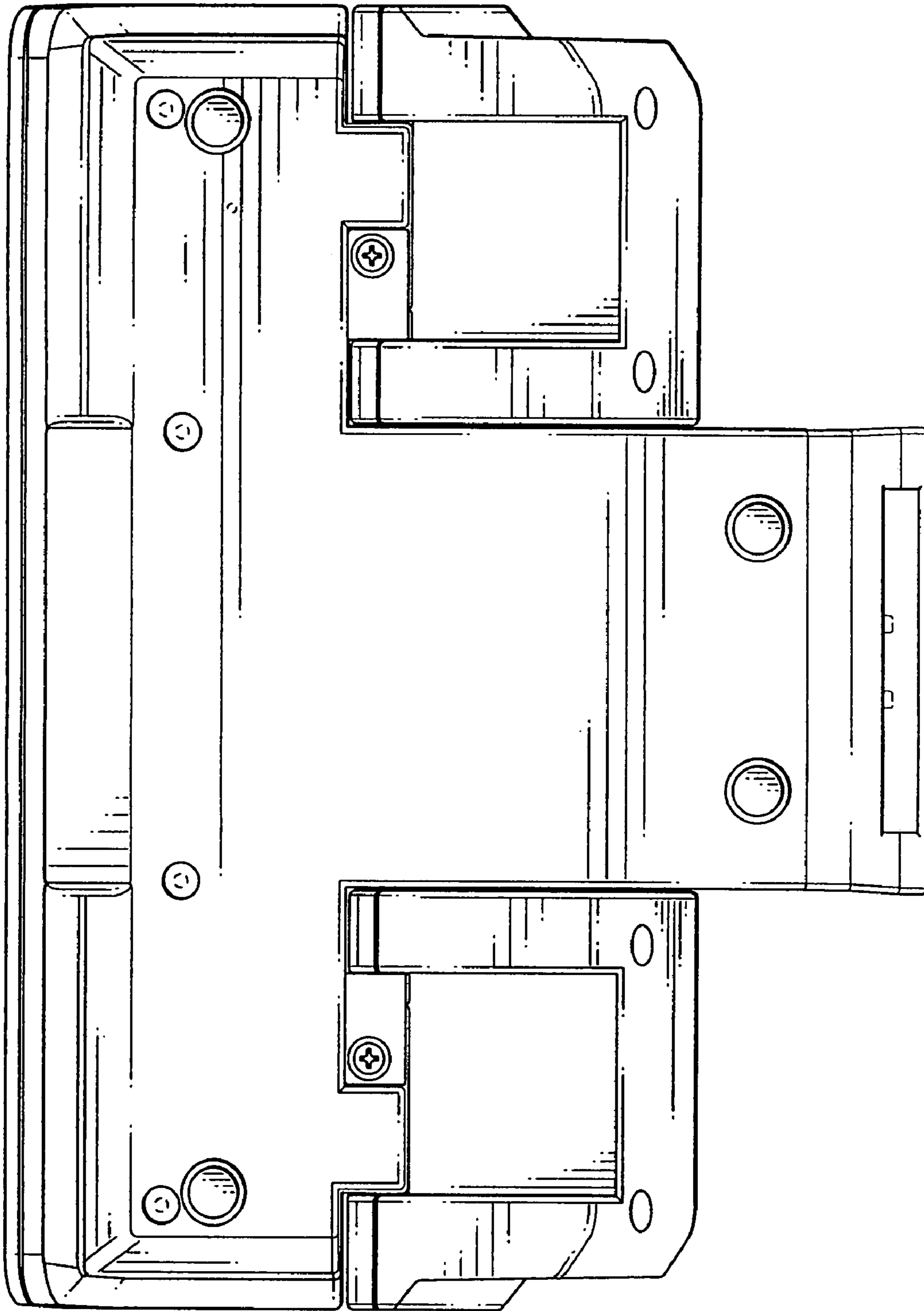


FIG. 12