

US00D563383S

(12) **United States Design Patent**  
**Liang**

(10) **Patent No.:** **US D563,383 S**  
(45) **Date of Patent:** **\*\* Mar. 4, 2008**

(54) **HEADSET**

(76) Inventor: **Hui-Hu Liang**, No. 3, Pao Chi Lane,  
Chung Ya Tsun, Siu Shui Hsiang,  
Changhua Hsien (TW)

(\*\*) Term: **14 Years**

(21) Appl. No.: **29/269,463**

(22) Filed: **Dec. 1, 2006**

(51) **LOC (8) Cl.** ..... **14-01**

(52) **U.S. Cl.** ..... **D14/205**

(58) **Field of Classification Search** ..... D14/205-206,  
D14/223, 225, 192; 181/128-130; 379/430,  
379/431; 381/381-382, 374, 376, 385; D24/174  
See application file for complete search history.

(56) **References Cited**

**U.S. PATENT DOCUMENTS**

4,289,938	A *	9/1981	Zichy	.....	381/382
5,210,792	A *	5/1993	Kajihara	.....	379/430
5,412,736	A *	5/1995	Keliiliki	.....	381/381
D385,272	S *	10/1997	Jensen et al.	.....	D14/142
6,233,344	B1 *	5/2001	Clegg et al.	.....	381/374
D447,472	S *	9/2001	McGugan	.....	D14/225
6,377,697	B1 *	4/2002	Cheng	.....	381/381

D460,749	S *	7/2002	Liu	.....	D14/206
6,427,018	B1 *	7/2002	Keliiliki	.....	381/381
6,771,790	B2 *	8/2004	Liu	.....	381/385
D505,413	S *	5/2005	Skulley et al.	.....	D14/223
D510,085	S *	9/2005	Suzuki	.....	D14/223
D543,968	S *	6/2007	Wong	.....	D14/205

\* cited by examiner

*Primary Examiner*—Paula A. Greene

(74) *Attorney, Agent, or Firm*—Troxell Law Office, PLLC

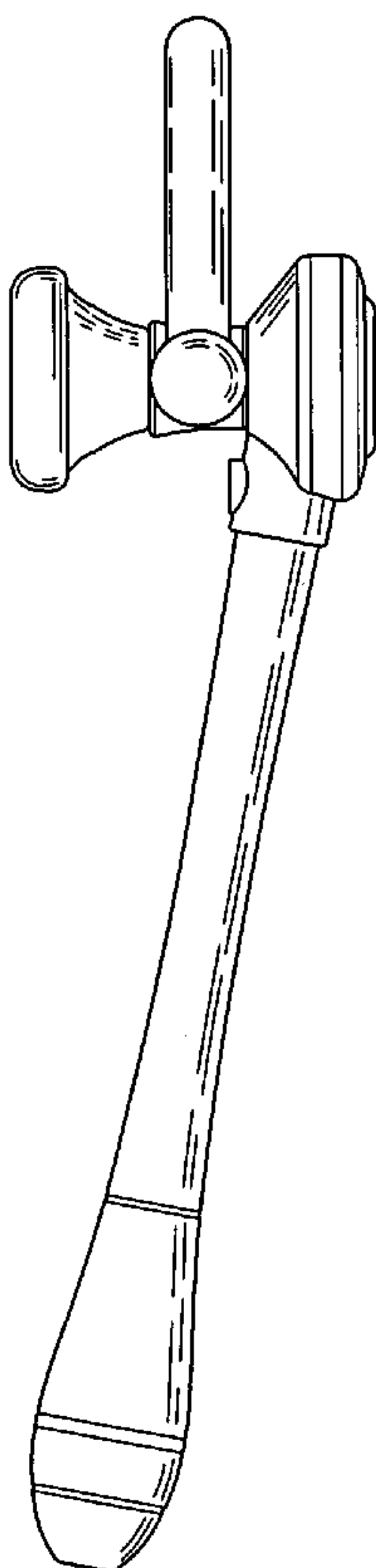
(57) **CLAIM**

I claim the ornamental design for a headset, as shown and described.

**DESCRIPTION**

FIG. 1 is a left side view of my new design for a headset;  
FIG. 2 is a front elevation view thereof;  
FIG. 3 is a right side view thereof;  
FIG. 4 is a rear elevation view thereof;  
FIG. 5 is a top plan view thereof;  
FIG. 6 is a bottom plan view thereof; and,  
FIG. 7 is a perspective view thereof.

**1 Claim, 4 Drawing Sheets**



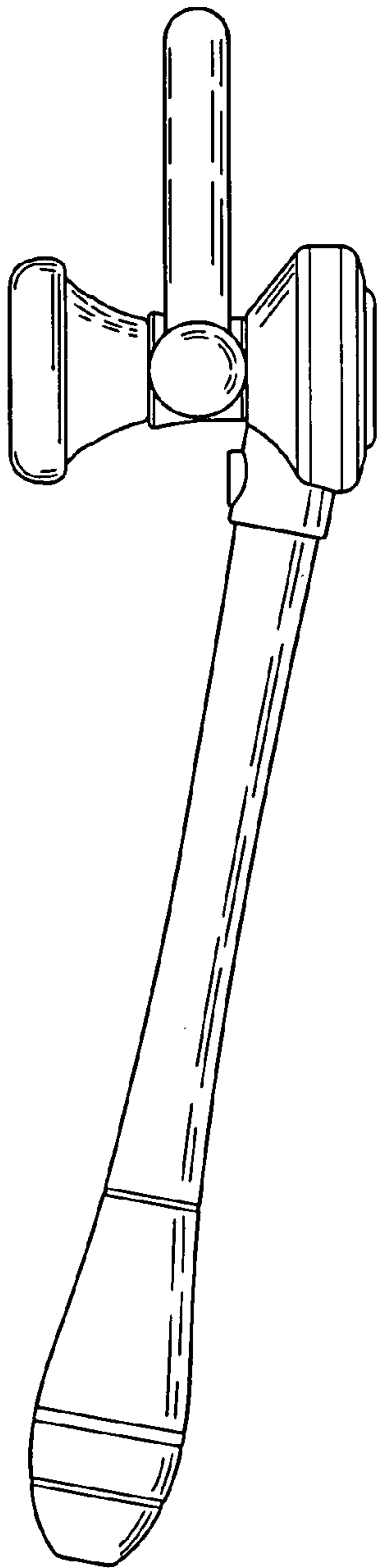


Fig. 1

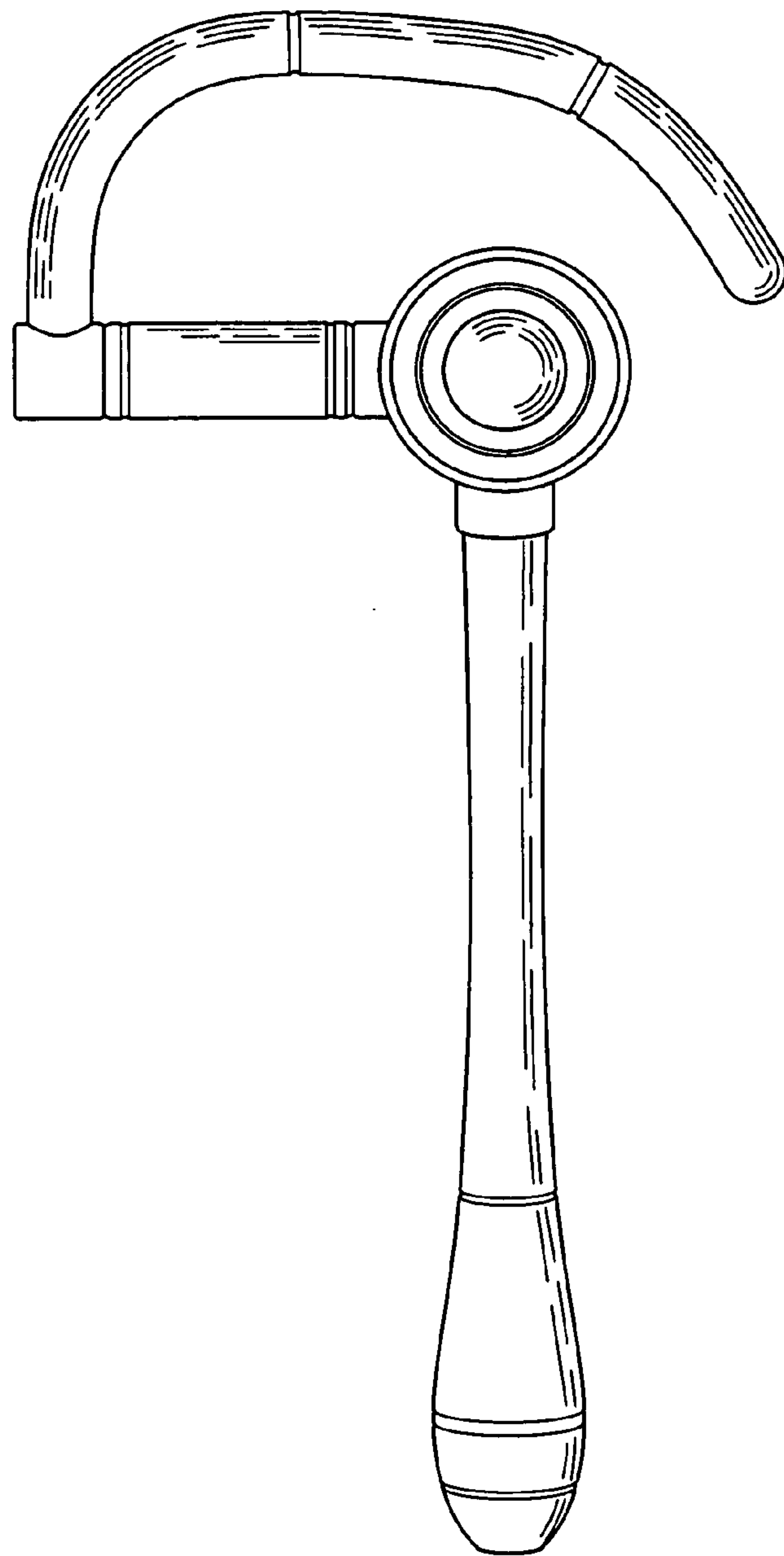


Fig. 2

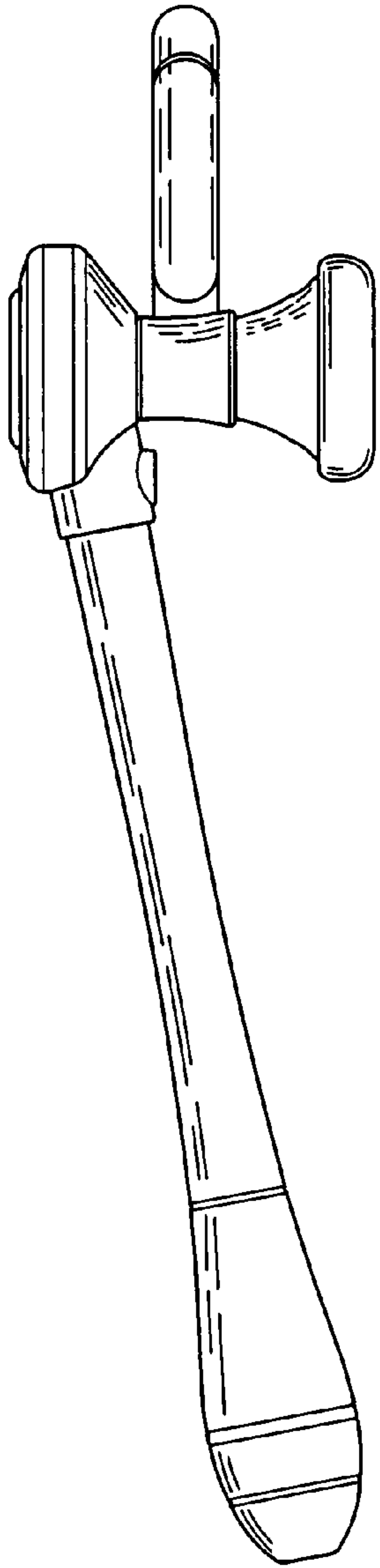


Fig. 3

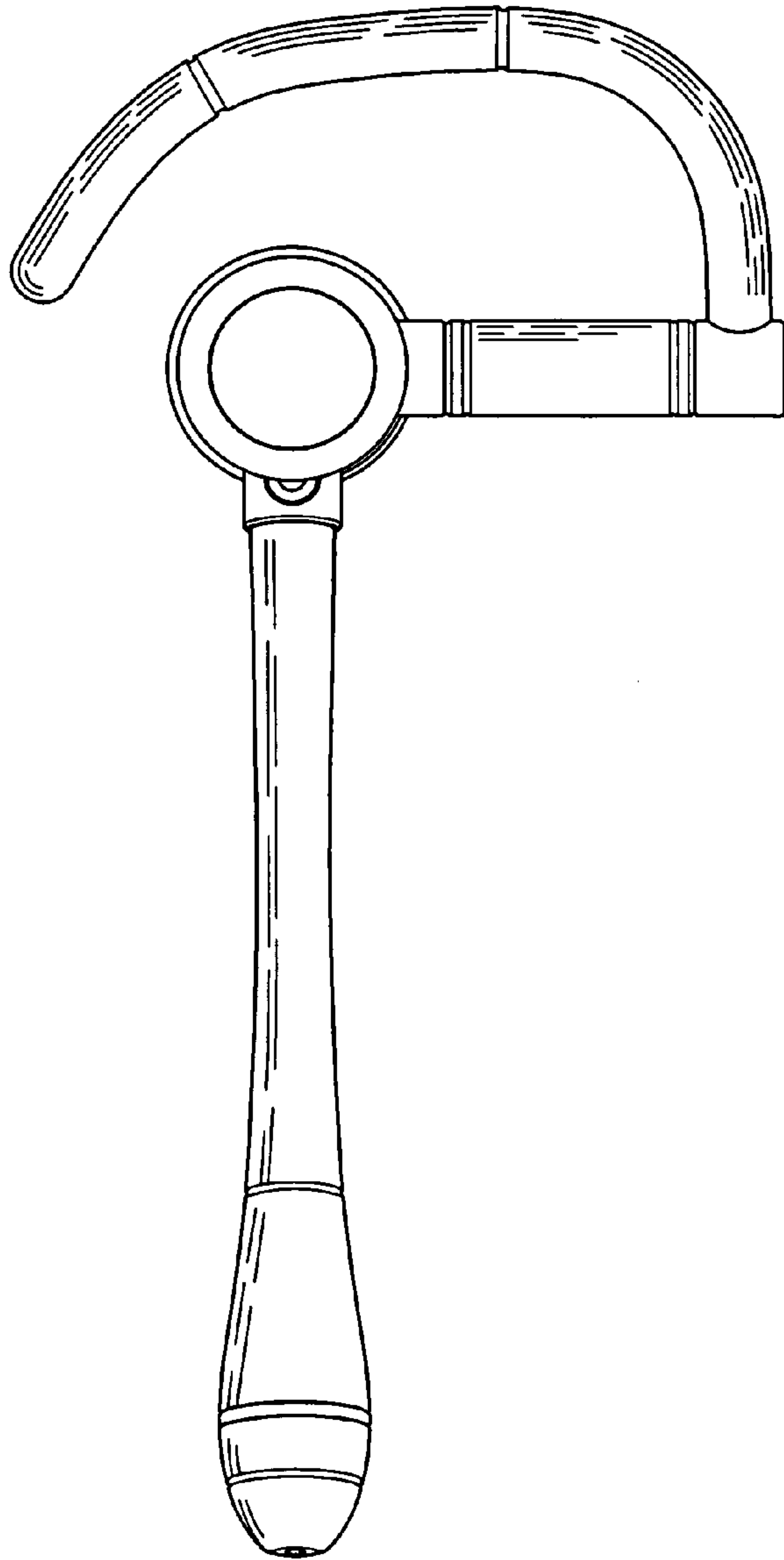


Fig. 4

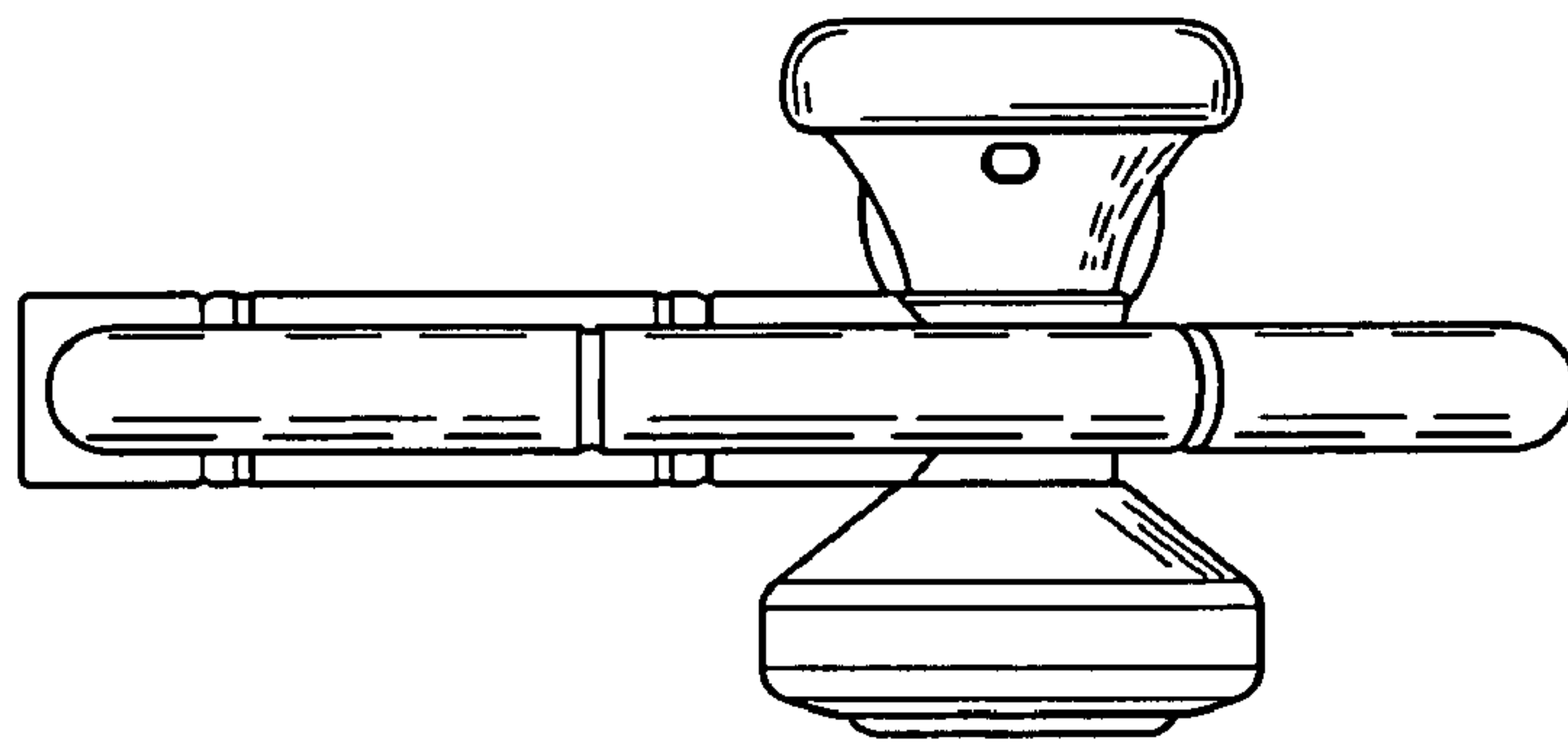


Fig. 5

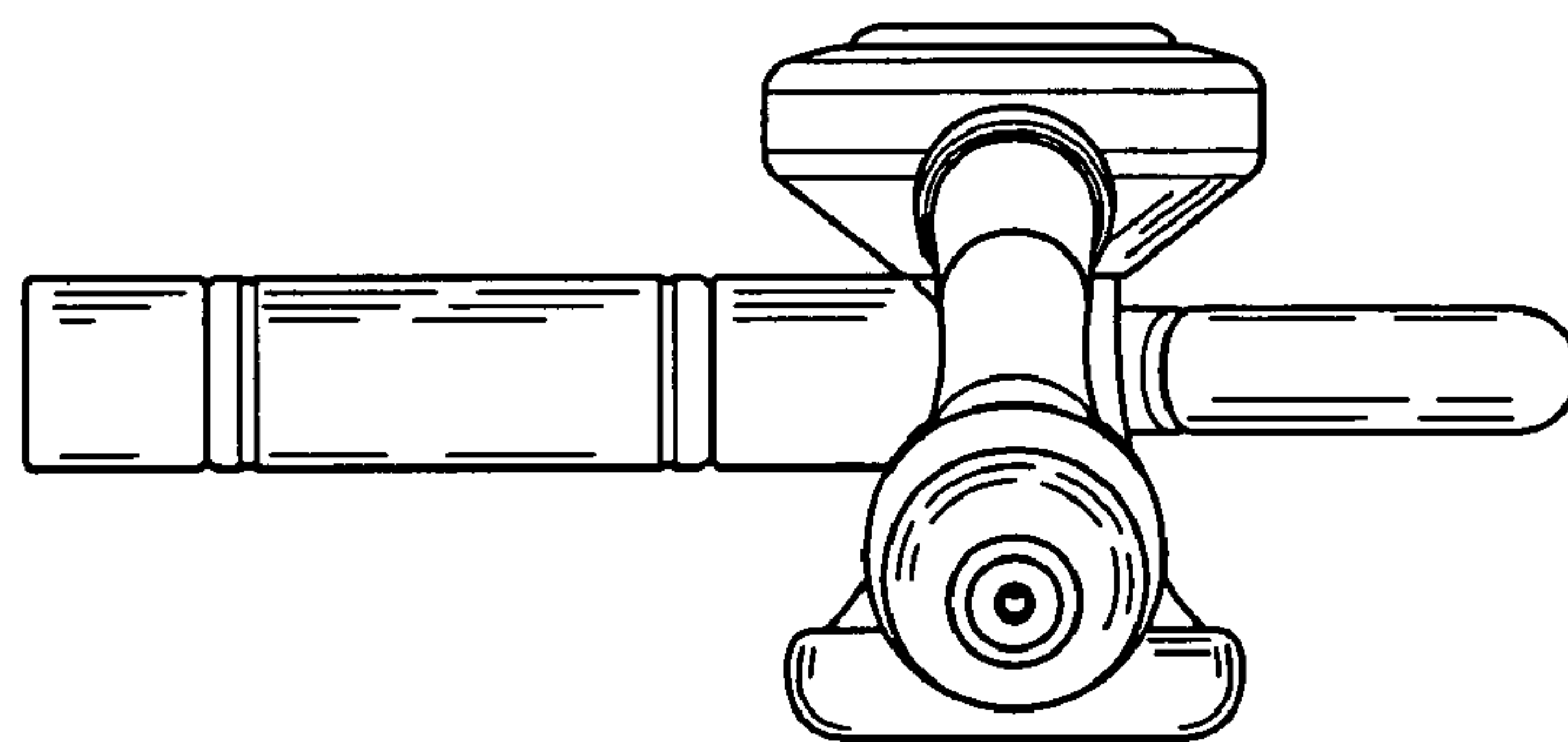


Fig. 6

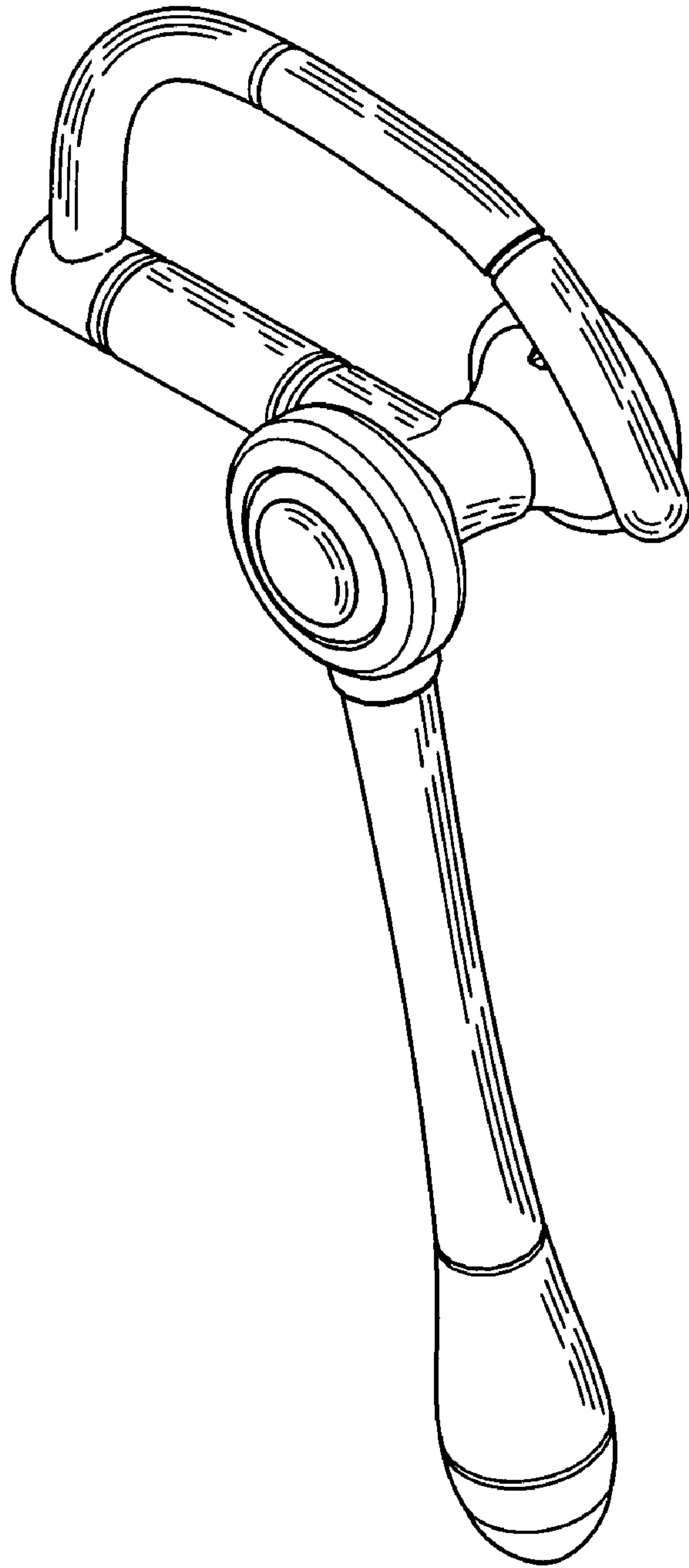


Fig. 7