



US00D563382S

(12) **United States Design Patent**
Wikel

(10) **Patent No.:** **US D563,382 S**

(45) **Date of Patent:** **** Mar. 4, 2008**

(54) **HOUSING FOR A HEADSET**

(75) Inventor: **Harold L. Wikel**, Muskego, WI (US)

(73) Assignee: **Motorola Inc.**, Schaumburg, IL (US)

(**) Term: **14 Years**

(21) Appl. No.: **29/255,438**

(22) Filed: **Mar. 8, 2006**

(51) **LOC (8) Cl.** **14-01**

(52) **U.S. Cl.** **D14/205**

(58) **Field of Classification Search** D14/188,
D14/192, 205, 206, 223; D29/110, 112,
D29/122; 128/857, 864, 866; 379/430,
379/431; 181/129, 130; 2/209; 381/379,
381/380, 381

See application file for complete search history.

(56) **References Cited**

U.S. PATENT DOCUMENTS

5,018,599	A *	5/1991	Dohi et al.	181/129
5,406,037	A *	4/1995	Nageno et al.	181/129
D386,181	S *	11/1997	Fisher	D14/205
D484,485	S *	12/2003	Matsuoka	D14/205
D512,708	S *	12/2005	Harris et al.	D14/205

D519,985 S * 5/2006 Wikel et al. D14/205

D532,407 S * 11/2006 Motoishi D14/205

D538,261 S * 3/2007 Taylor et al. D14/205

D541,255 S * 4/2007 Taylor et al. D14/205

* cited by examiner

Primary Examiner—Paula A. Greene

(74) *Attorney, Agent, or Firm*—David S. Noskowicz

(57) **CLAIM**

The ornamental design for housing for a headset, as shown and described.

DESCRIPTION

FIG. 1 is a perspective view of a housing for a headset.

FIG. 2 is a front view thereof.

FIG. 3 is a rear view thereof.

FIG. 4 is a first side view thereof.

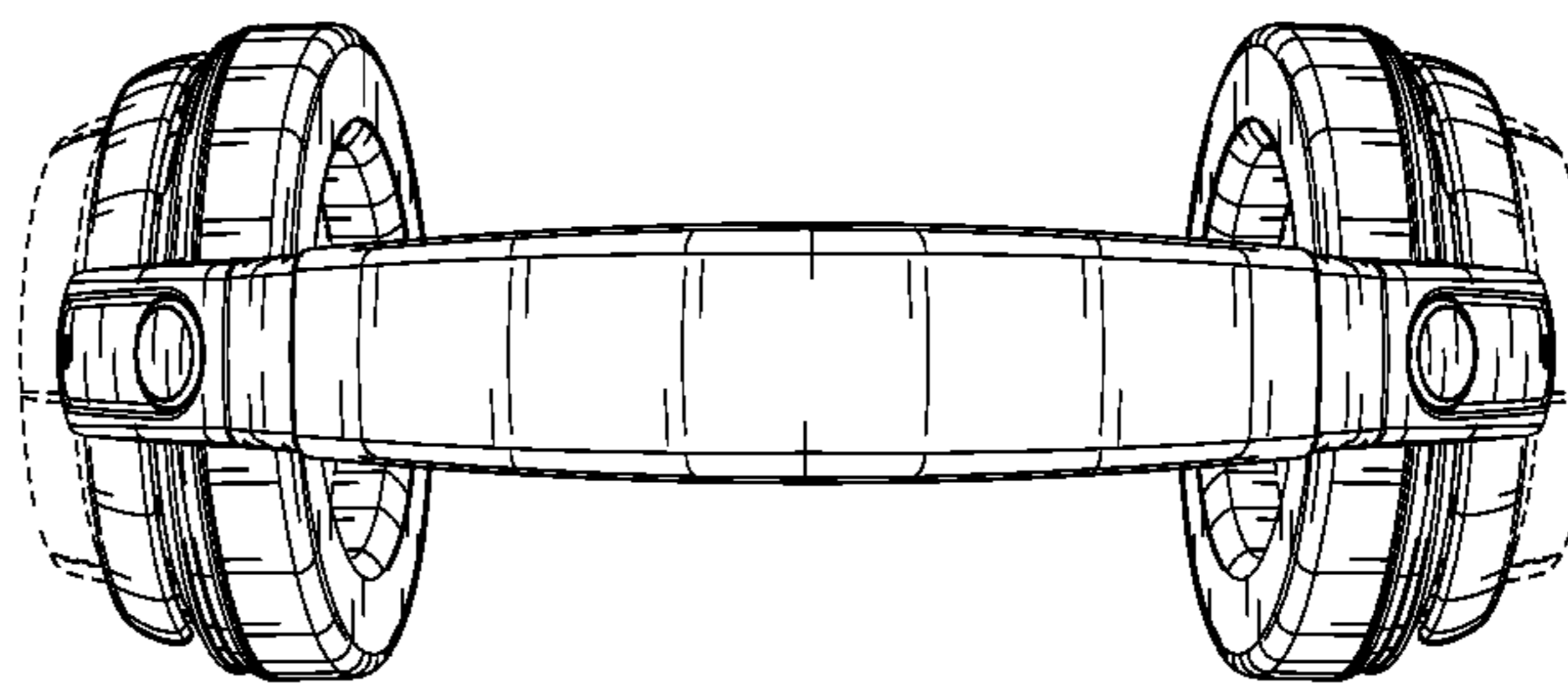
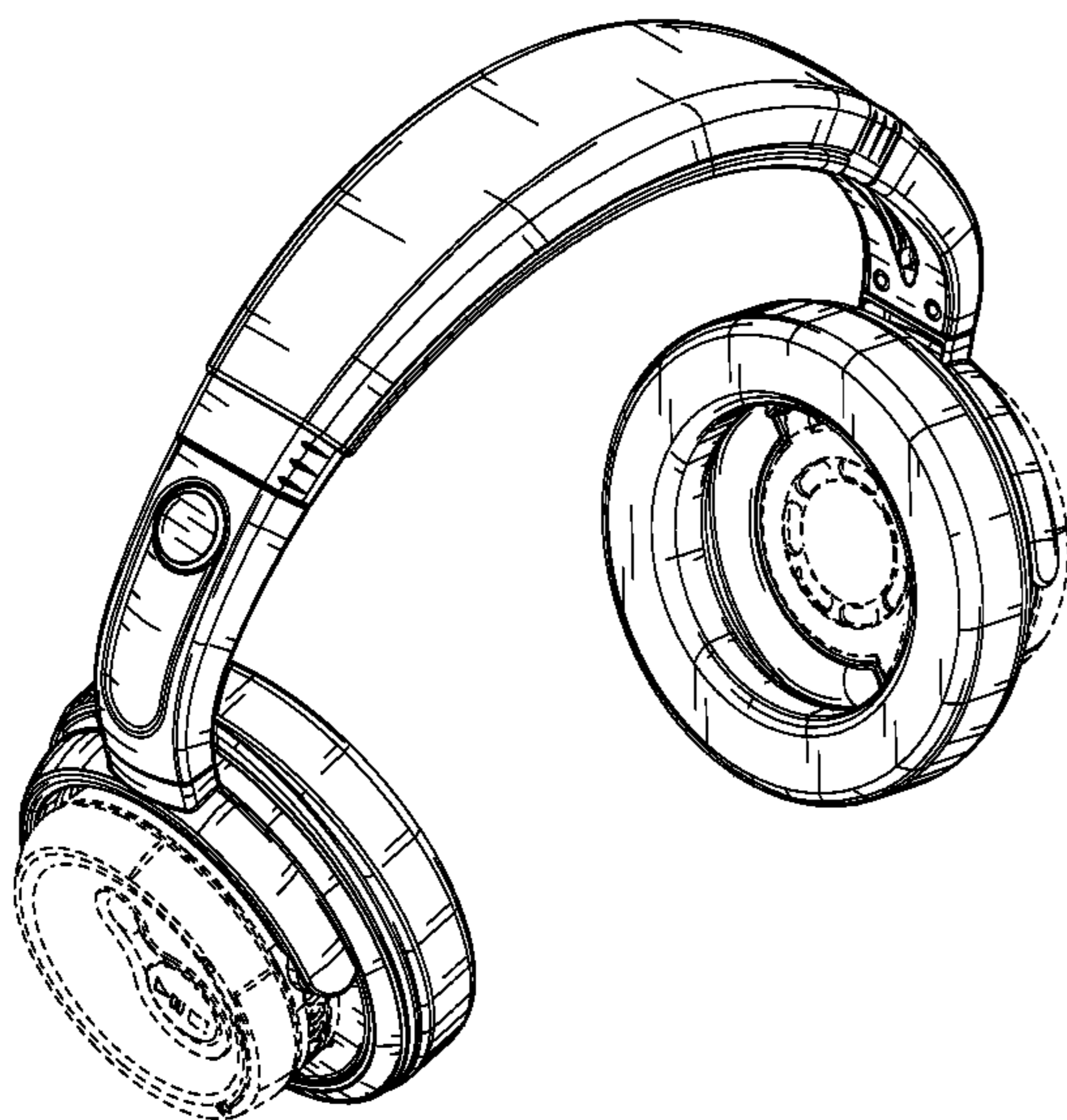
FIG. 5 is a second side view thereof.

FIG. 6 is a top view thereof; and,

FIG. 7 is a bottom view thereof.

The broken line portions of the drawings form no part of the claimed design or a specified embodiment thereof.

1 Claim, 5 Drawing Sheets



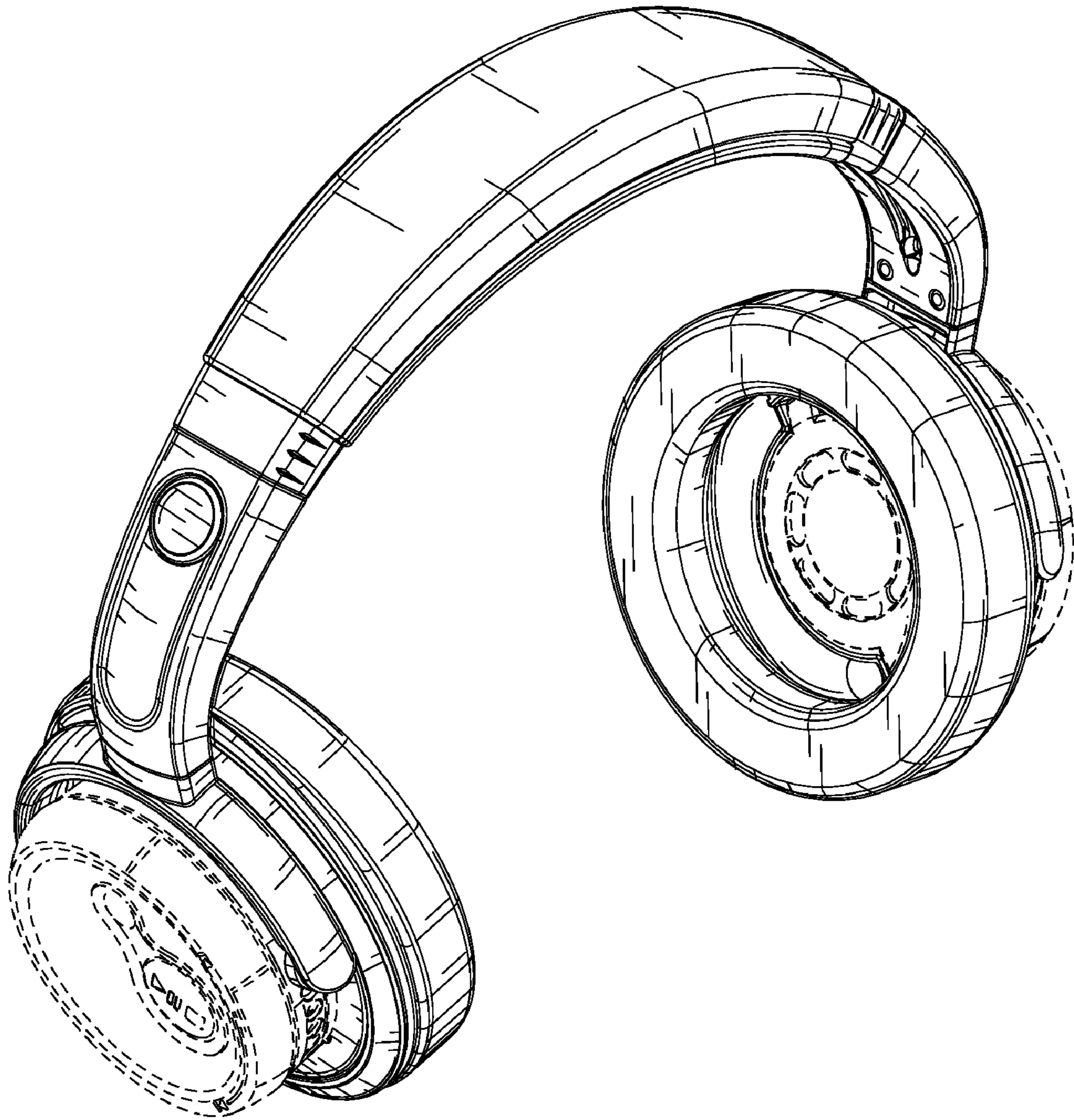


FIG. 1

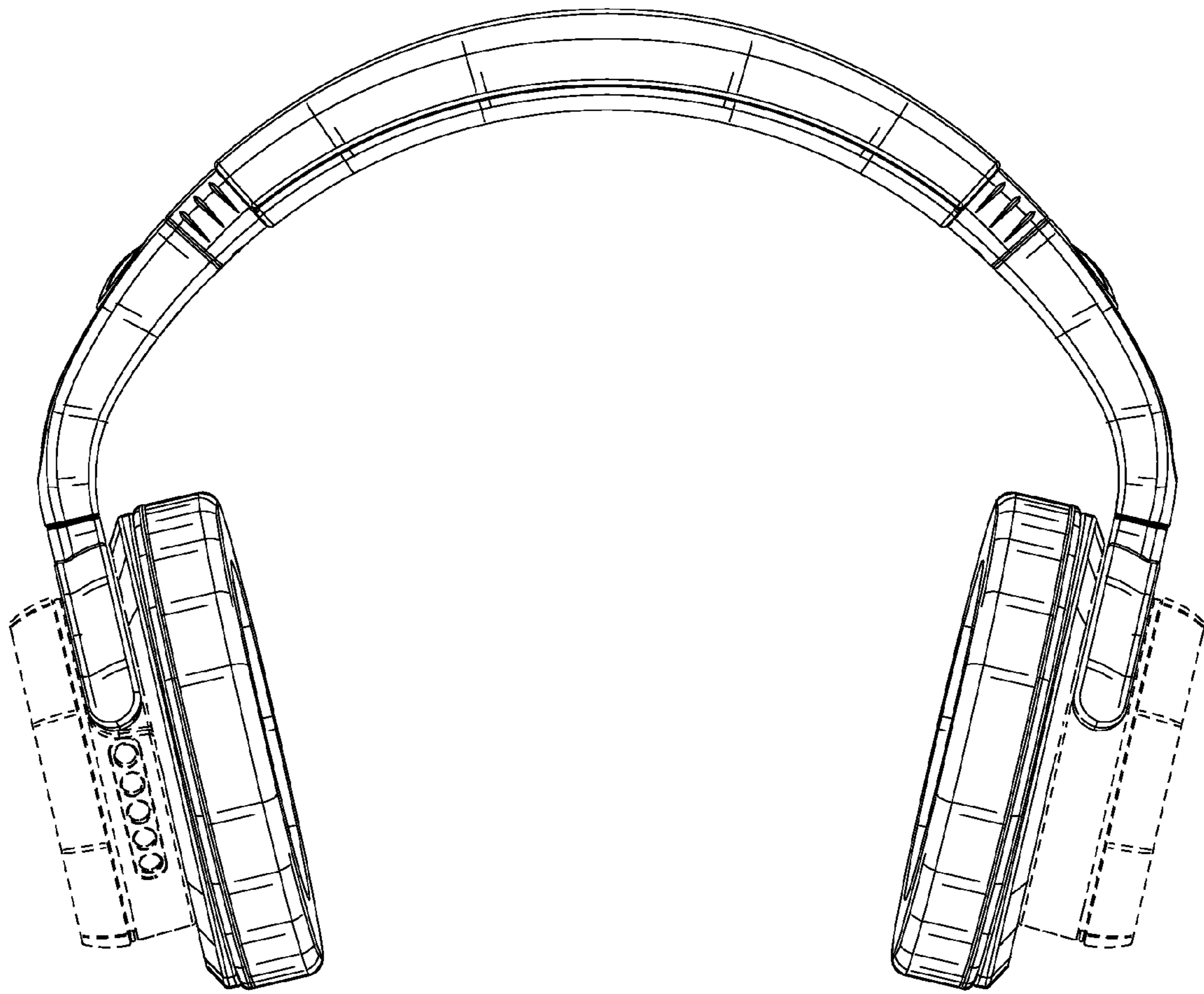


FIG. 2

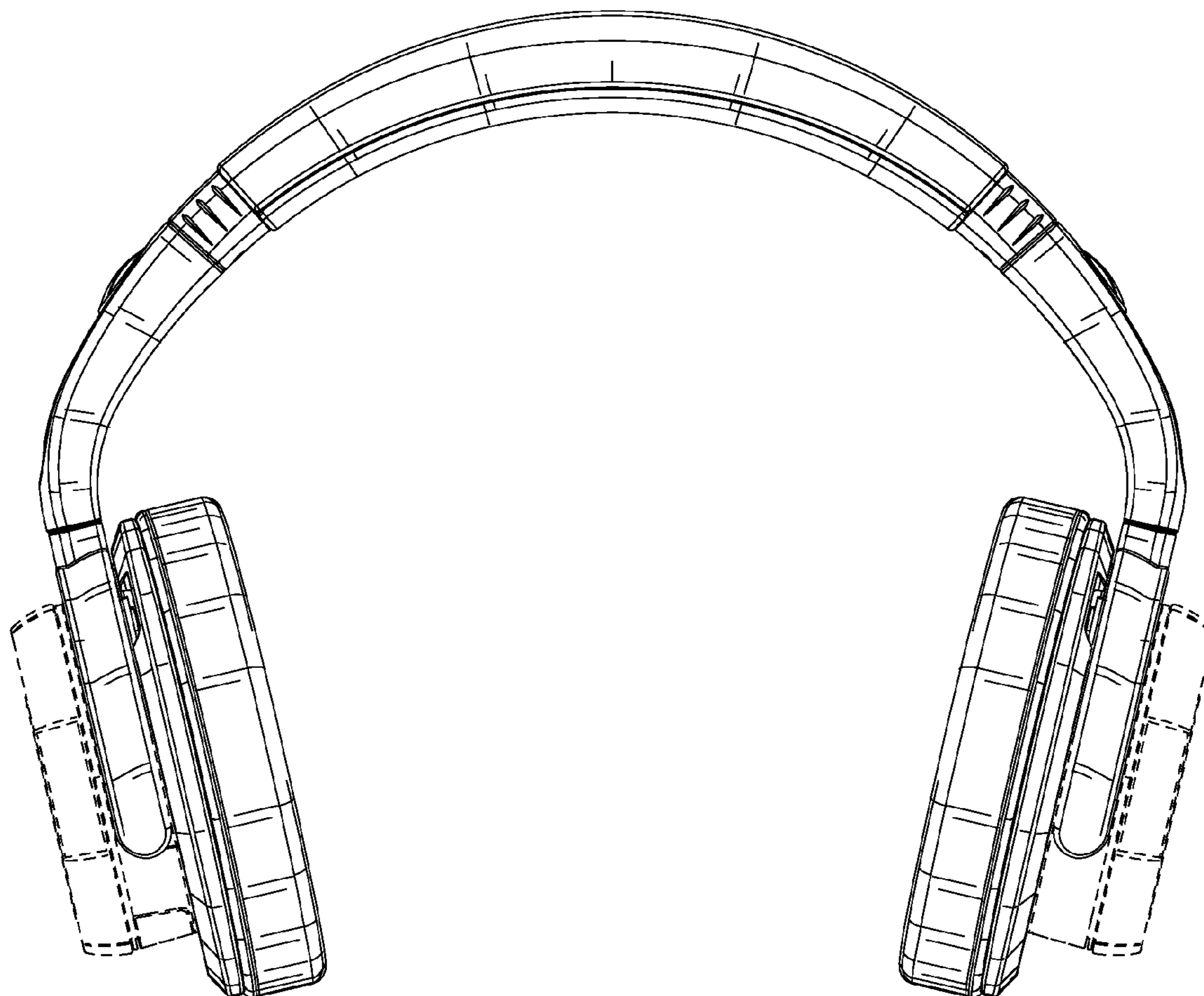


FIG. 3

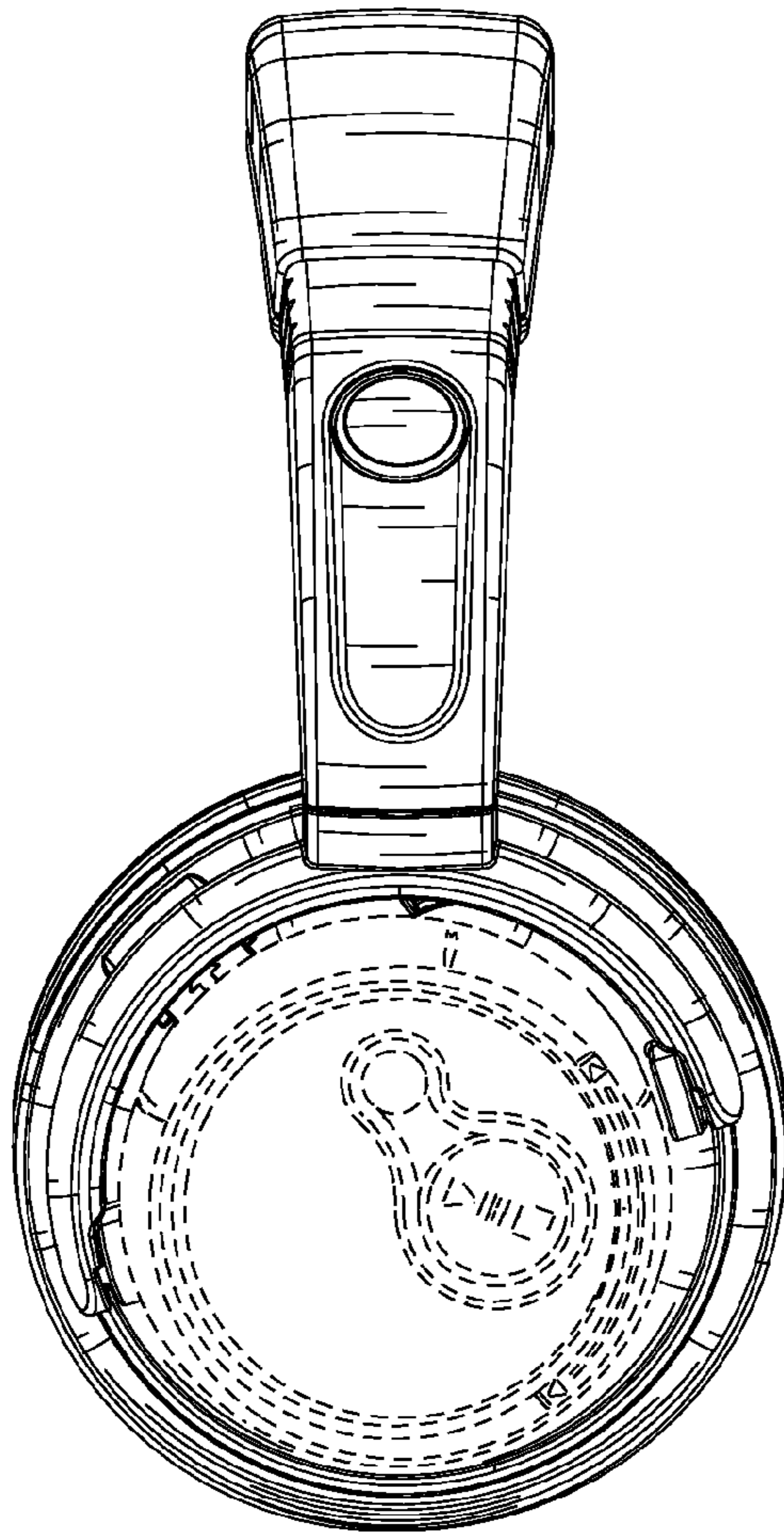


FIG. 4

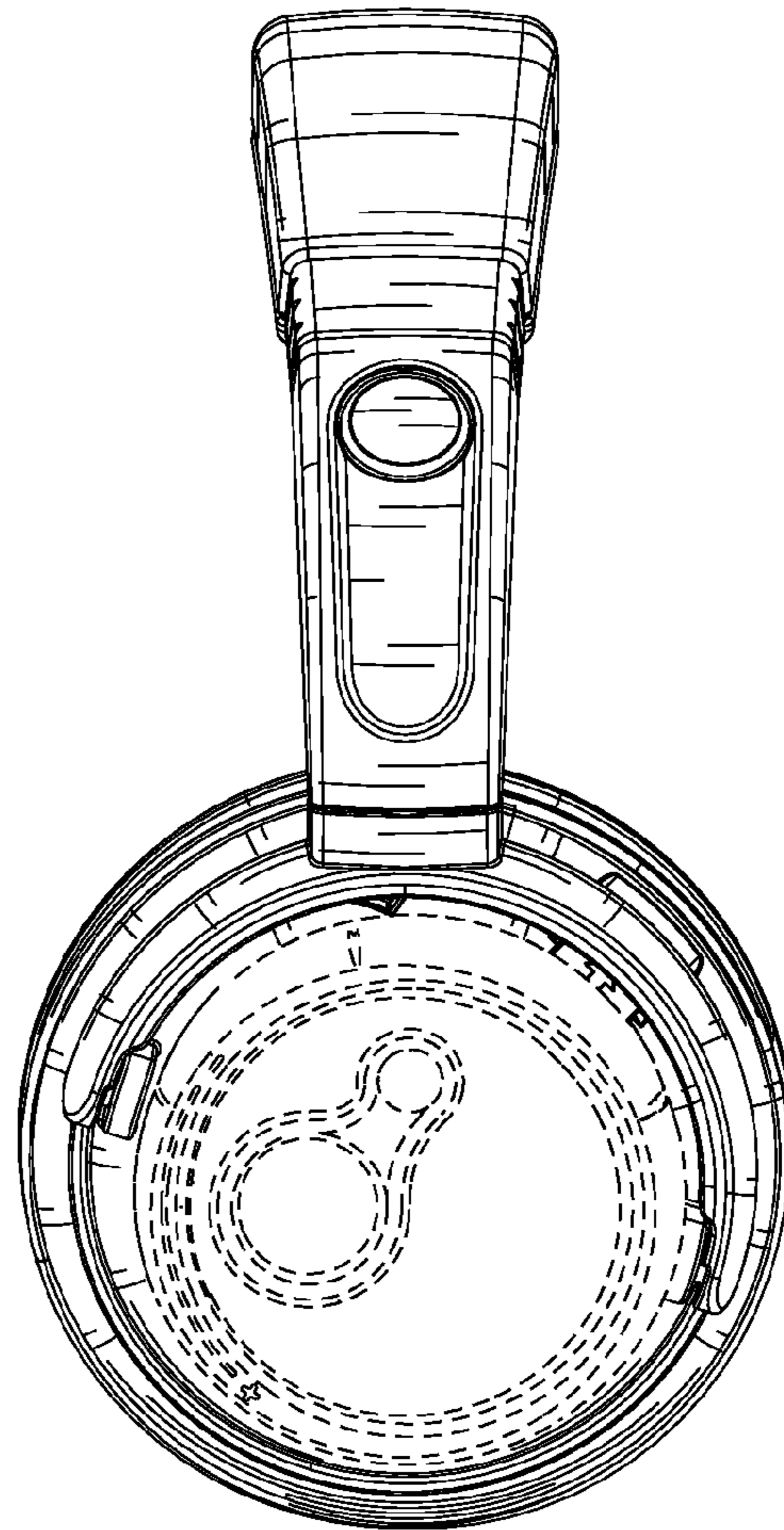


FIG. 5

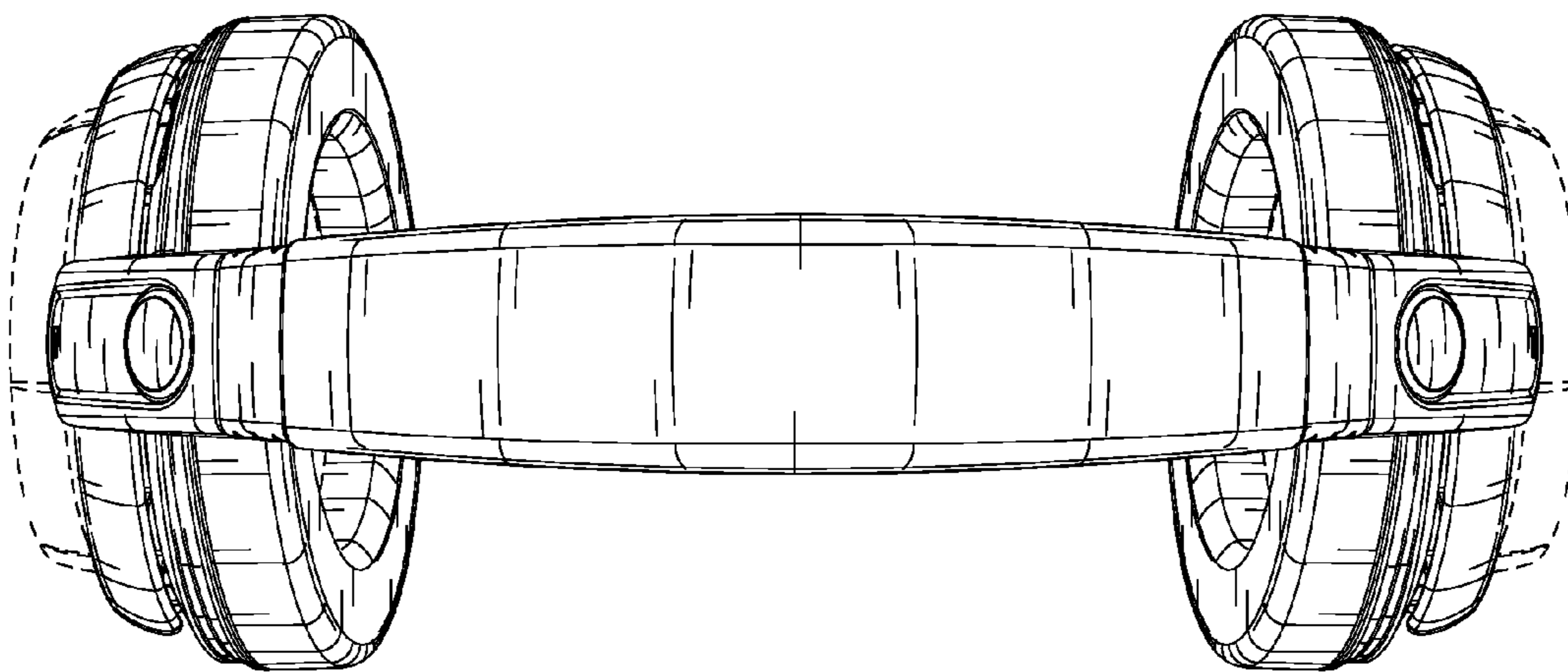


FIG. 6

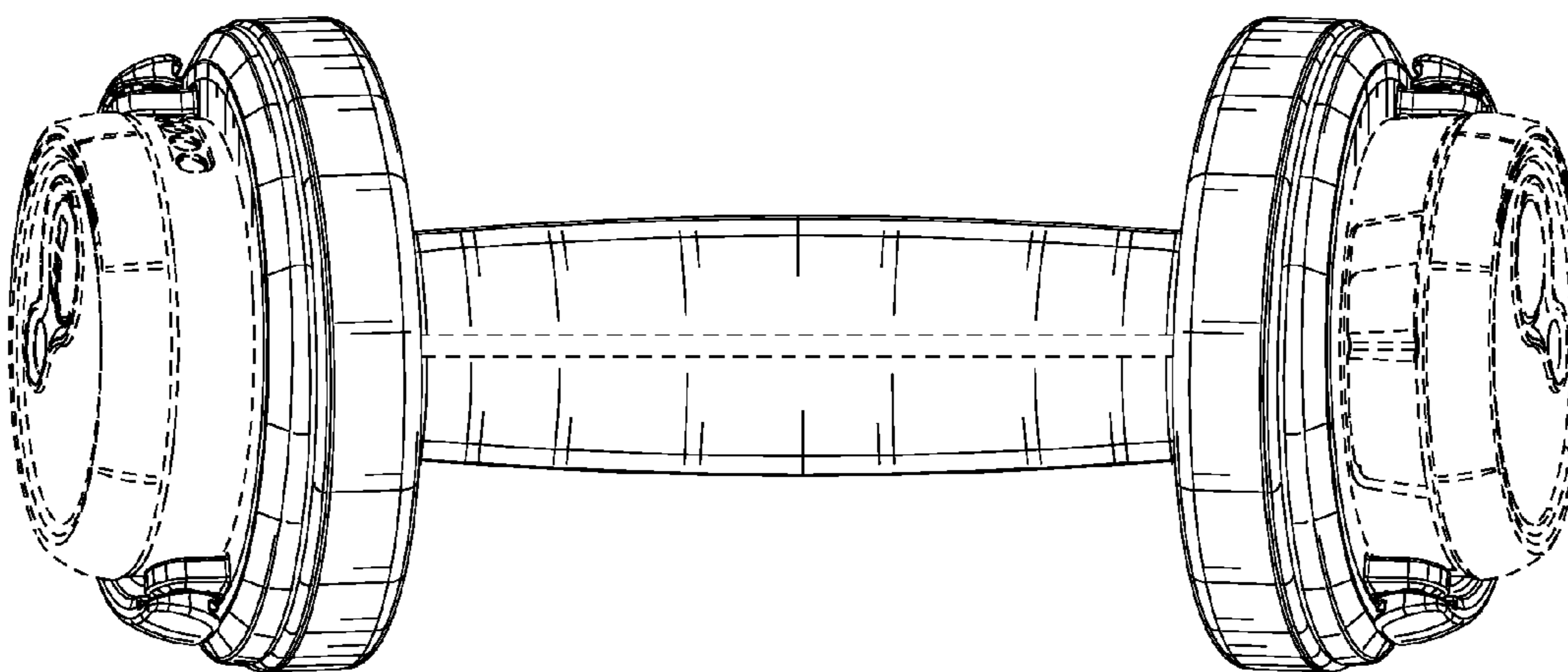


FIG. 7