



US00D563380S

(12) **United States Design Patent** (10) **Patent No.:** **US D563,380 S**  
**Bart** (45) **Date of Patent:** **\*\* Mar. 4, 2008**

(54) **RADIO TRANSMITTER WITH AN EXTERNAL ANTENNA**

(74) *Attorney, Agent, or Firm*—Blackwell Sanders LLP

(75) Inventor: **Gary F. Bart**, Weston, FL (US)

(57) **CLAIM**

(73) Assignee: **Xtreme Accessories LLC**, Weston, FL (US)

The ornamental design for a radio transmitter with an external antenna, as shown and described.

(\*\*) Term: **14 Years**

**DESCRIPTION**

(21) Appl. No.: **29/280,400**

FIG. 1 is a right perspective view of the radio transmitter with an external antenna attached to a portable media player showing my new design;

(22) Filed: **May 25, 2007**

FIG. 2 is a front elevational view of the radio transmitter with an external antenna of FIG. 1 attached to a portable media player;

(51) **LOC (8) Cl.** ..... **14-03**

(52) **U.S. Cl.** ..... **D14/155**

(58) **Field of Classification Search** ..... D14/167, D14/154, 168, 188, 496, 156, 218, 160, 161, D14/162, 163, 164, 165, 191, 192; D16/208; D26/38; D10/104; 455/350, 351  
See application file for complete search history.

FIG. 3 is a rear elevational view of the radio transmitter with an external antenna of FIG. 1 attached to a portable media player;

FIG. 4 is a left elevational view of the radio transmitter with an external antenna of FIG. 1 attached to a portable media player;

(56) **References Cited**

**U.S. PATENT DOCUMENTS**

D338,465 S *	8/1993	Hayasaka et al. ....	D14/191
D339,349 S *	9/1993	Hayasaka et al. ....	D14/191
D353,593 S *	12/1994	Hayasaka et al. ....	D14/191
D359,479 S *	6/1995	Jondrow et al. ....	D14/407
D368,911 S *	4/1996	Lam .....	D14/242
D380,205 S *	6/1997	Bares .....	D14/242
D441,735 S *	5/2001	Katayama .....	D14/156
D442,171 S *	5/2001	Jang .....	D14/242
D445,705 S *	7/2001	Kliegman et al. ....	D10/104
D446,499 S *	8/2001	Andre et al. ....	D13/110
D452,233 S *	12/2001	Kubik et al. ....	D14/242
D454,110 S *	3/2002	Andre et al. ....	D13/110
D515,545 S *	2/2006	Griffin .....	D14/155
D518,290 S *	4/2006	Andre et al. ....	D3/218
D536,333 S *	2/2007	McRae et al. ....	D14/240

FIG. 5 is a right elevational view of the radio transmitter with an external antenna of FIG. 1 attached to a portable media player;

FIG. 6 is a top plan view of the radio transmitter with an external antenna of FIG. 1 attached to a portable media player;

FIG. 7 is a bottom plan view of the radio transmitter with an external antenna of FIG. 1 attached to a portable media player;

FIG. 8 is a right perspective view of the radio transmitter with an external antenna of FIG. 1; and,

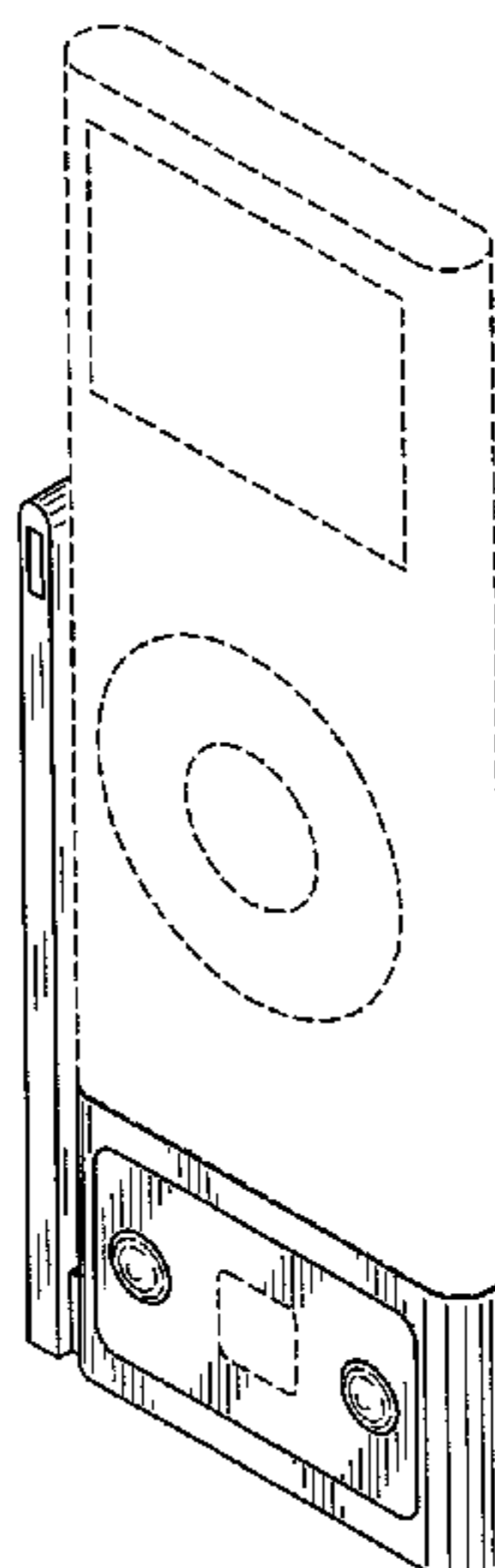
FIG. 9 is a left perspective view of the radio transmitter with an external antenna of FIG. 1 with the antenna in a second position.

\* cited by examiner

The broken lines shown in the drawings form no part of the claimed design.

*Primary Examiner*—Cathron C. Brooks  
*Assistant Examiner*—Austin Murphy

**1 Claim, 7 Drawing Sheets**



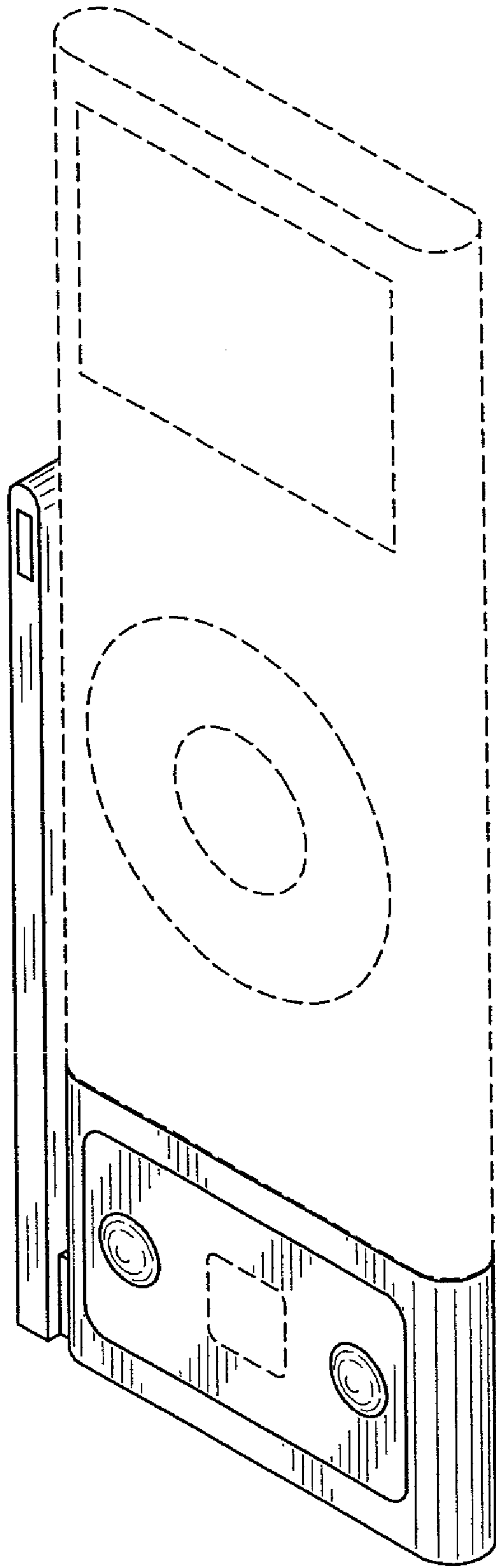


FIG. 1

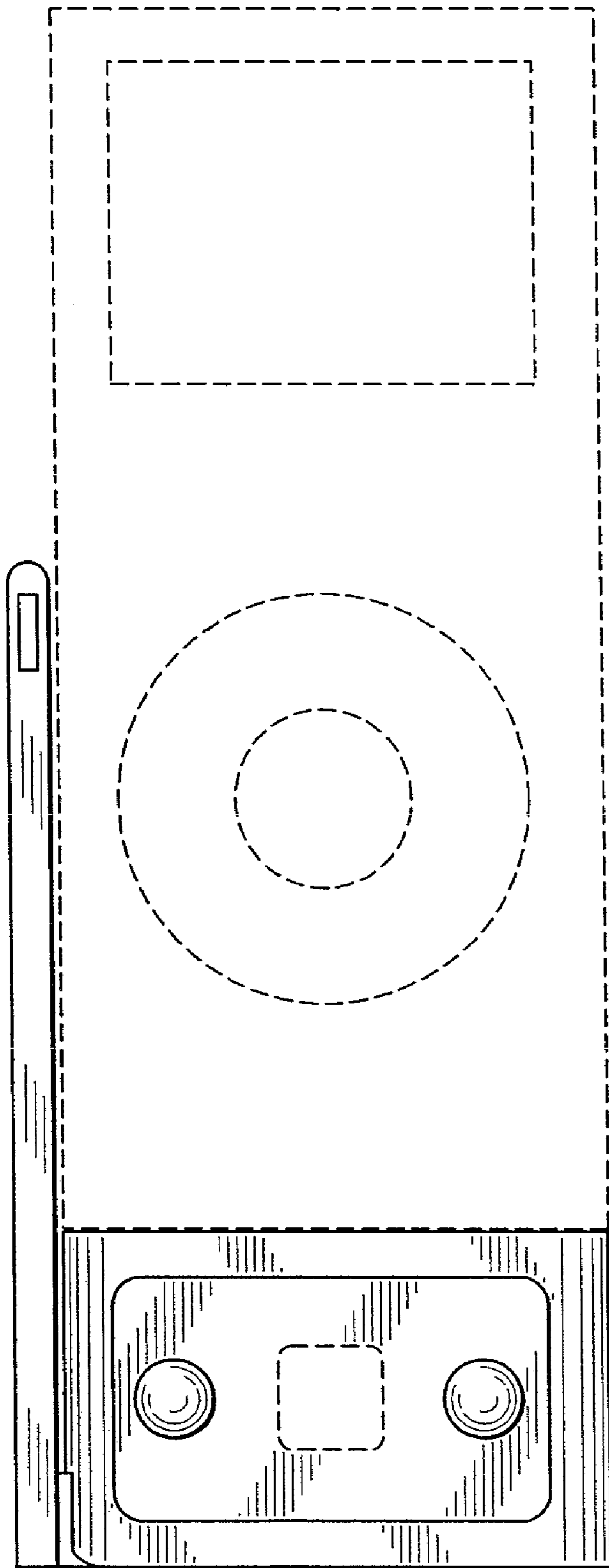


FIG. 2

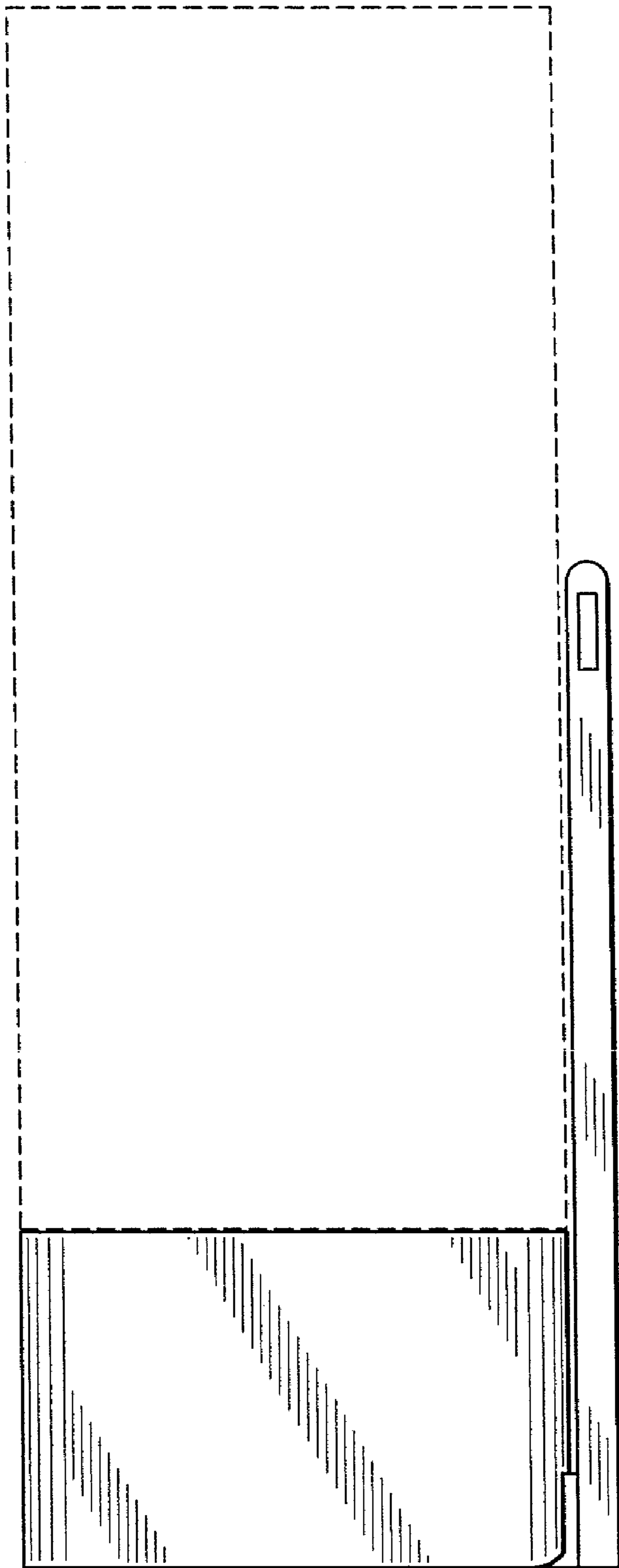


FIG. 3

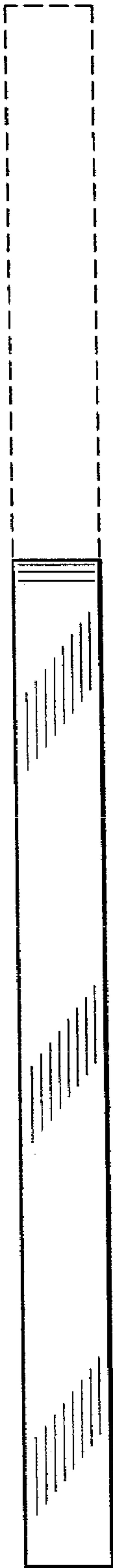


FIG. 4

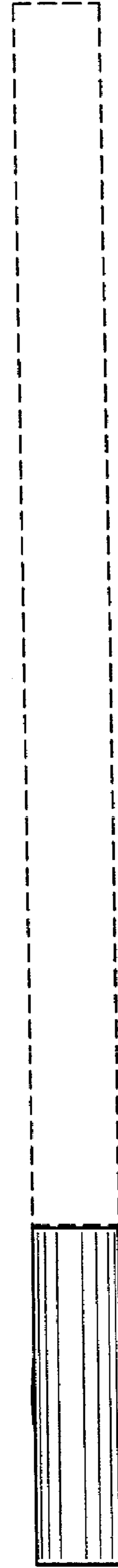


FIG. 5



FIG. 6

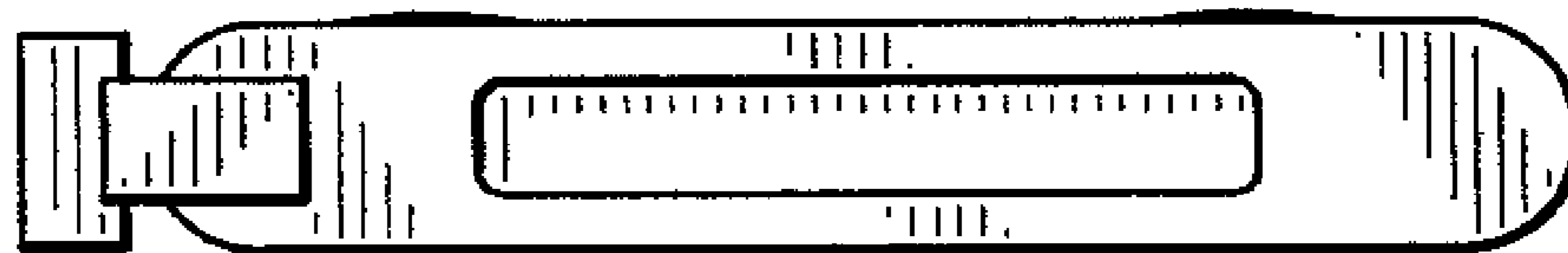


FIG. 7

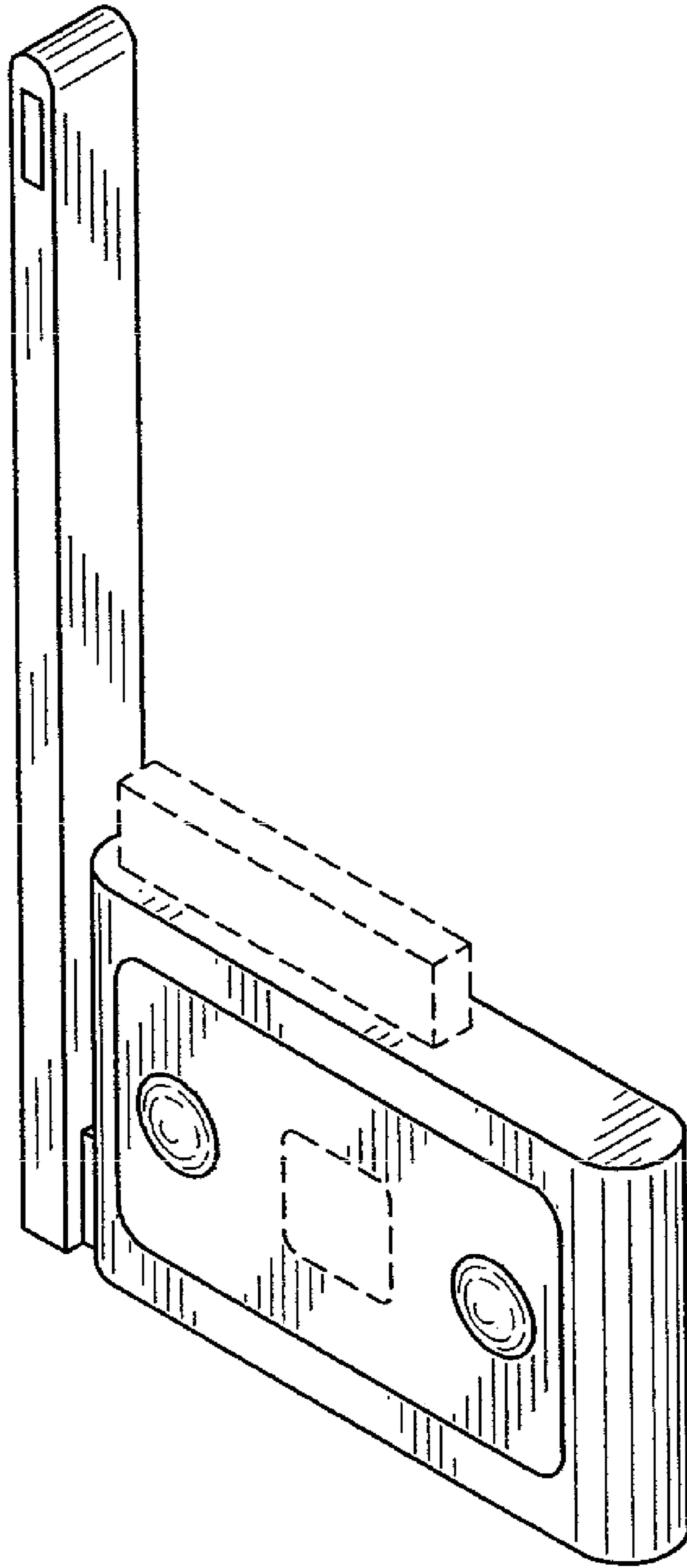


FIG. 8

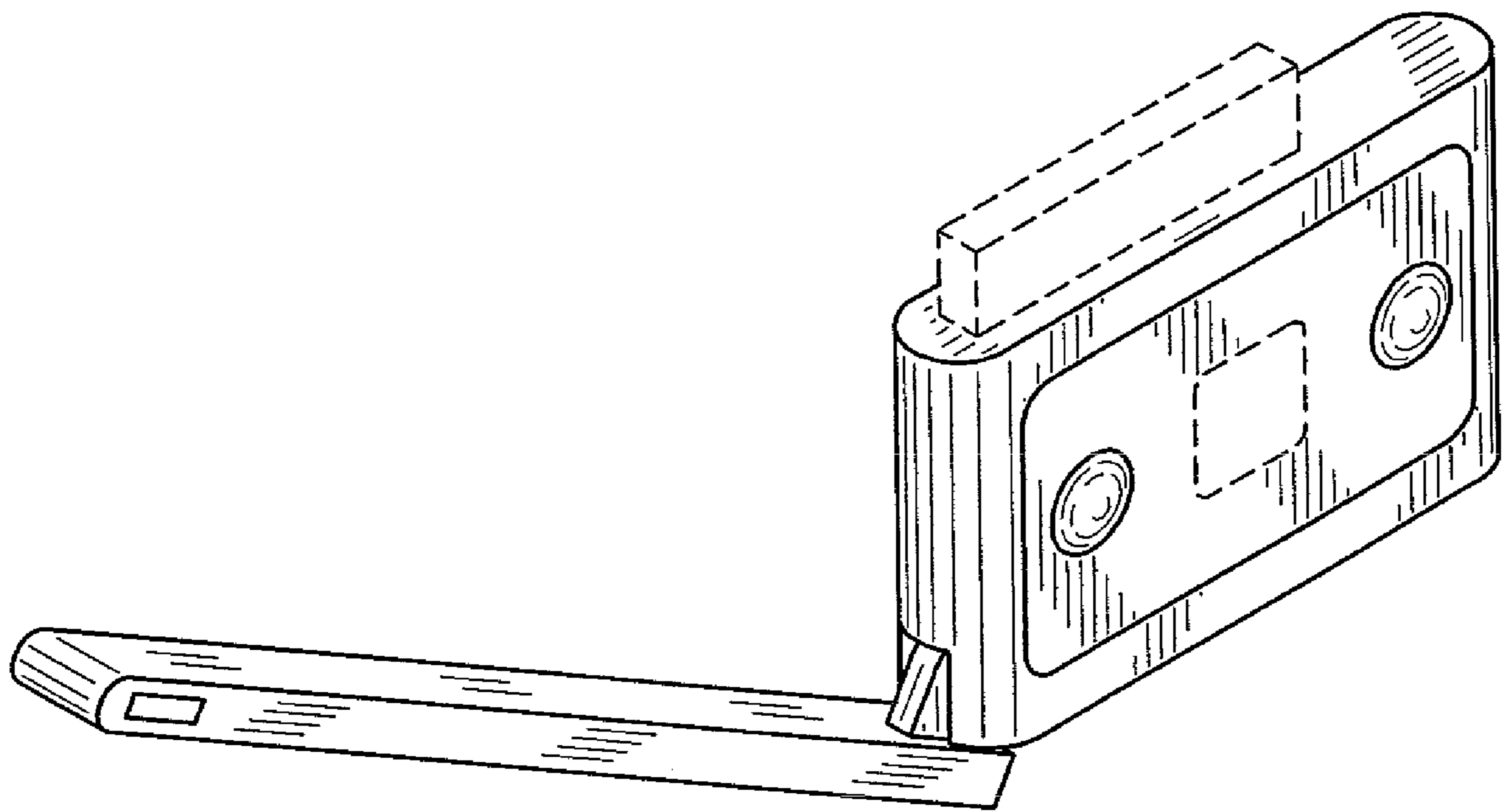


FIG. 9