



US00D563366S

(12) **United States Design Patent**
Joo

(10) **Patent No.:** **US D563,366 S**
(45) **Date of Patent:** **** Mar. 4, 2008**

(54) **CELLULAR PHONE**

(75) Inventor: **Ah Jung Joo**, Busan (KR)

(73) Assignee: **LG Electronics Inc.**, Seoul (KR)

(**) Term: **14 Years**

(21) Appl. No.: **29/270,775**

(22) Filed: **Jan. 4, 2007**

(30) **Foreign Application Priority Data**

Jul. 5, 2006 (KR) 30-2006-0028577

(51) **LOC (8) Cl.** **14-03**

(52) **U.S. Cl.** **D14/138**

(58) **Field of Classification Search** D14/137,
D14/138, 147, 218, 247-248, 341-347, 496;
455/90.3, 556.1, 556.2, 575.1, 575.3, 575.4;
379/433.01-433.13; 361/814; 348/14.02

See application file for complete search history.

(56) **References Cited**

U.S. PATENT DOCUMENTS

D479,215	S	*	9/2003	Yokoyama	D14/138
D504,120	S	*	4/2005	Edoff	D14/138
D509,204	S	*	9/2005	Michler	D14/138
D509,497	S	*	9/2005	Michler	D14/138
D509,814	S	*	9/2005	Shin et al.	D14/138
D519,998	S	*	5/2006	Park	D14/346
D526,984	S	*	8/2006	Kim et al.	D14/138
D528,533	S	*	9/2006	Lee et al.	D14/138
D533,530	S	*	12/2006	Kim et al.	D14/138
D533,533	S	*	12/2006	Kim et al.	D14/138
D534,144	S	*	12/2006	Chung et al.	D14/138
D534,153	S	*	12/2006	Naruki	D14/167
D535,966	S	*	1/2007	Lee et al.	D14/138
D538,251	S	*	3/2007	Park et al.	D14/138
D538,298	S	*	3/2007	Naruki	D14/496

D539,773	S	*	4/2007	Kim et al.	D14/138
7,210,963	B2	*	5/2007	Chintala et al.	439/594
D547,330	S	*	7/2007	Lee et al.	D14/496
2001/0029192	A1	*	10/2001	Oh	455/556
2003/0044000	A1	*	3/2003	Kfoury et al.	379/433.04
2005/0124394	A1	*	6/2005	Kim et al.	455/575.3
2005/0277435	A1	*	12/2005	Park et al.	455/550.1
2007/0142101	A1	*	6/2007	Seshagiri et al.	455/575.4

OTHER PUBLICATIONS

LG S5200, announced Oct. 2005, [online], [retrieved on Feb. 20, 2007]. Retrieved from Internet ,<URL: http://www.gsmarena.com>.*

* cited by examiner

Primary Examiner—Jeffrey Asch

Assistant Examiner—Bridget L Eland

(74) *Attorney, Agent, or Firm*—Birch, Stewart, Kolasch & Birch, LLP

(57) **CLAIM**

The ornamental design for a cellular phone, as shown and described.

DESCRIPTION

FIG. 1 is a front, right perspective view of the cellular phone showing my new design;

FIG. 2 is a front view thereof;

FIG. 3 is a rear view thereof;

FIG. 4 is a left side view thereof;

FIG. 5 is a right side view thereof;

FIG. 6 is a top plan view thereof;

FIG. 7 is a bottom plan view thereof;

FIG. 8 is a front view in an open position; and,

FIG. 9 is a back view in an open position.

1 Claim, 5 Drawing Sheets

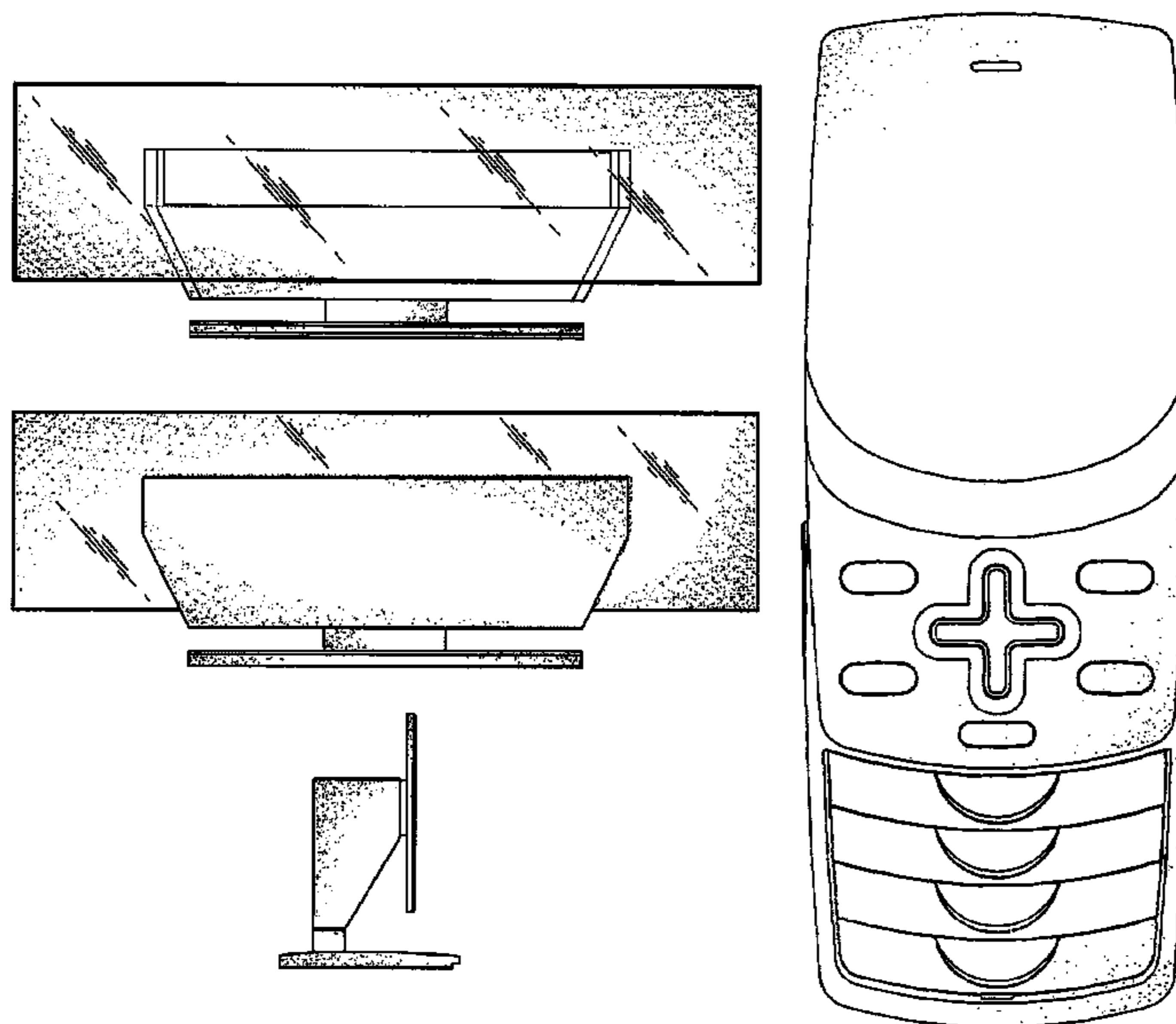


FIG. 1

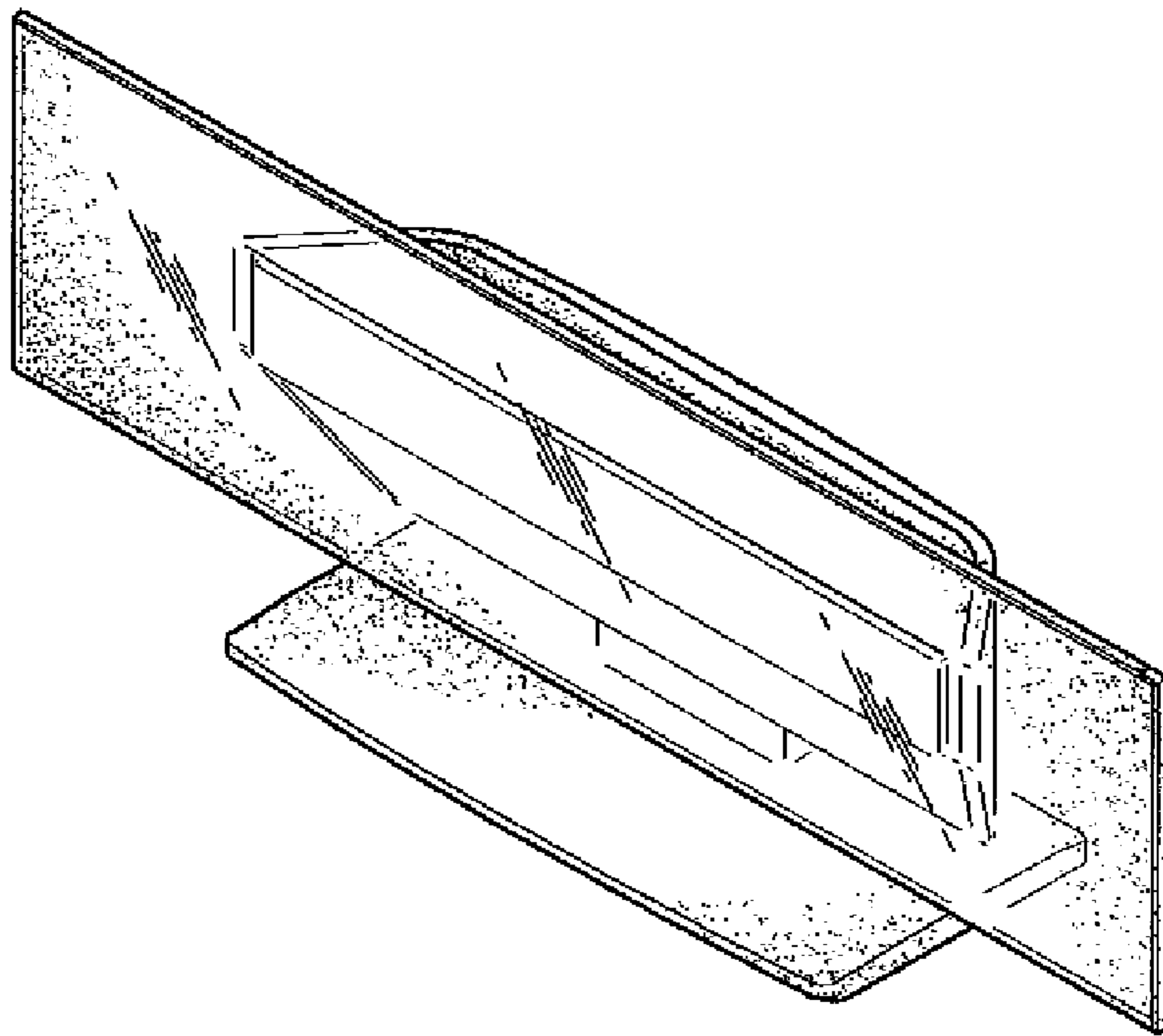


FIG. 2

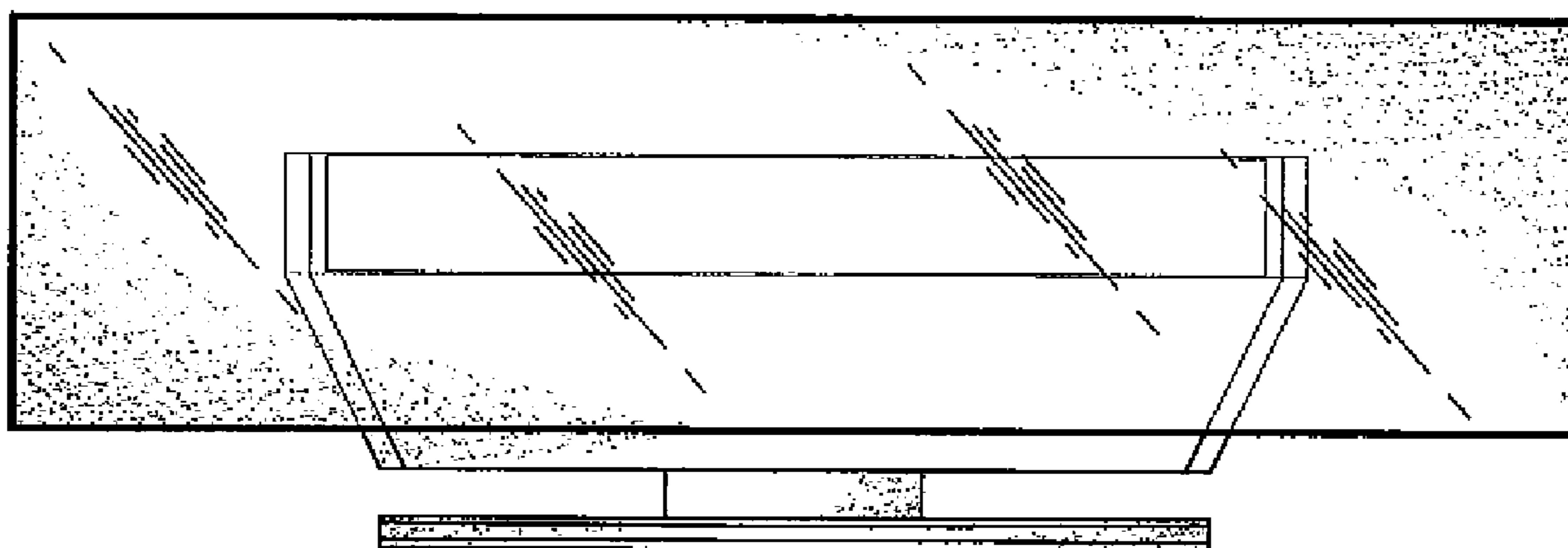


FIG. 3

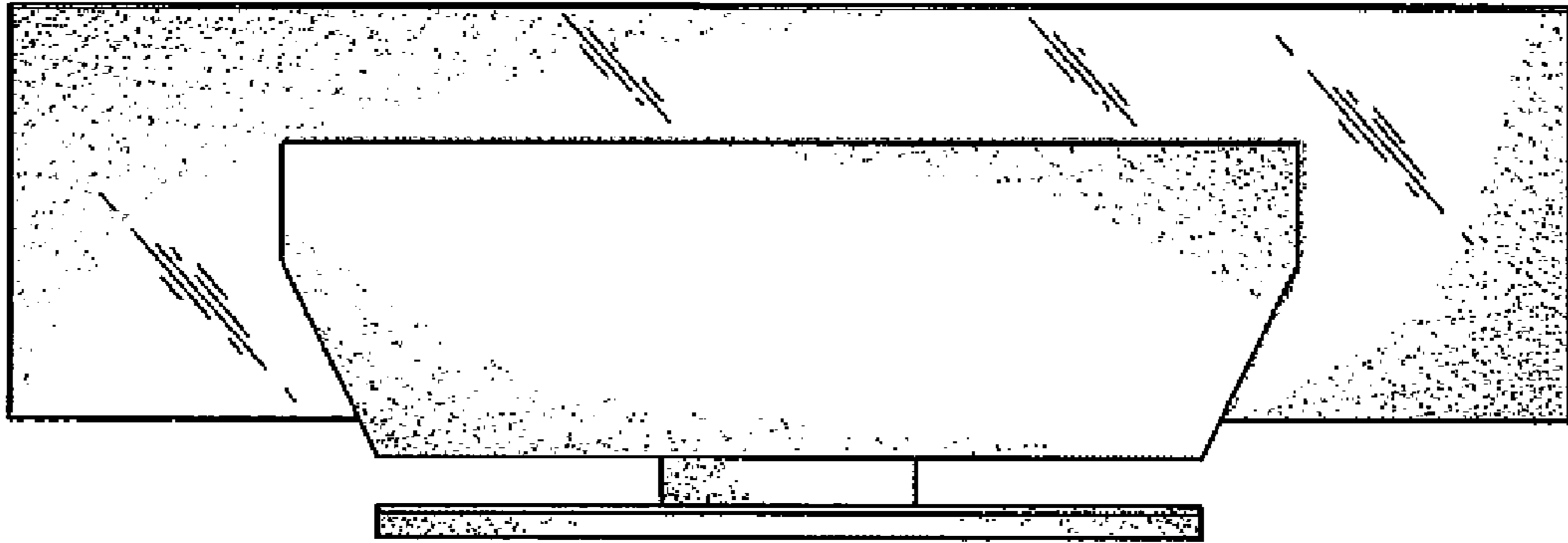


FIG. 4

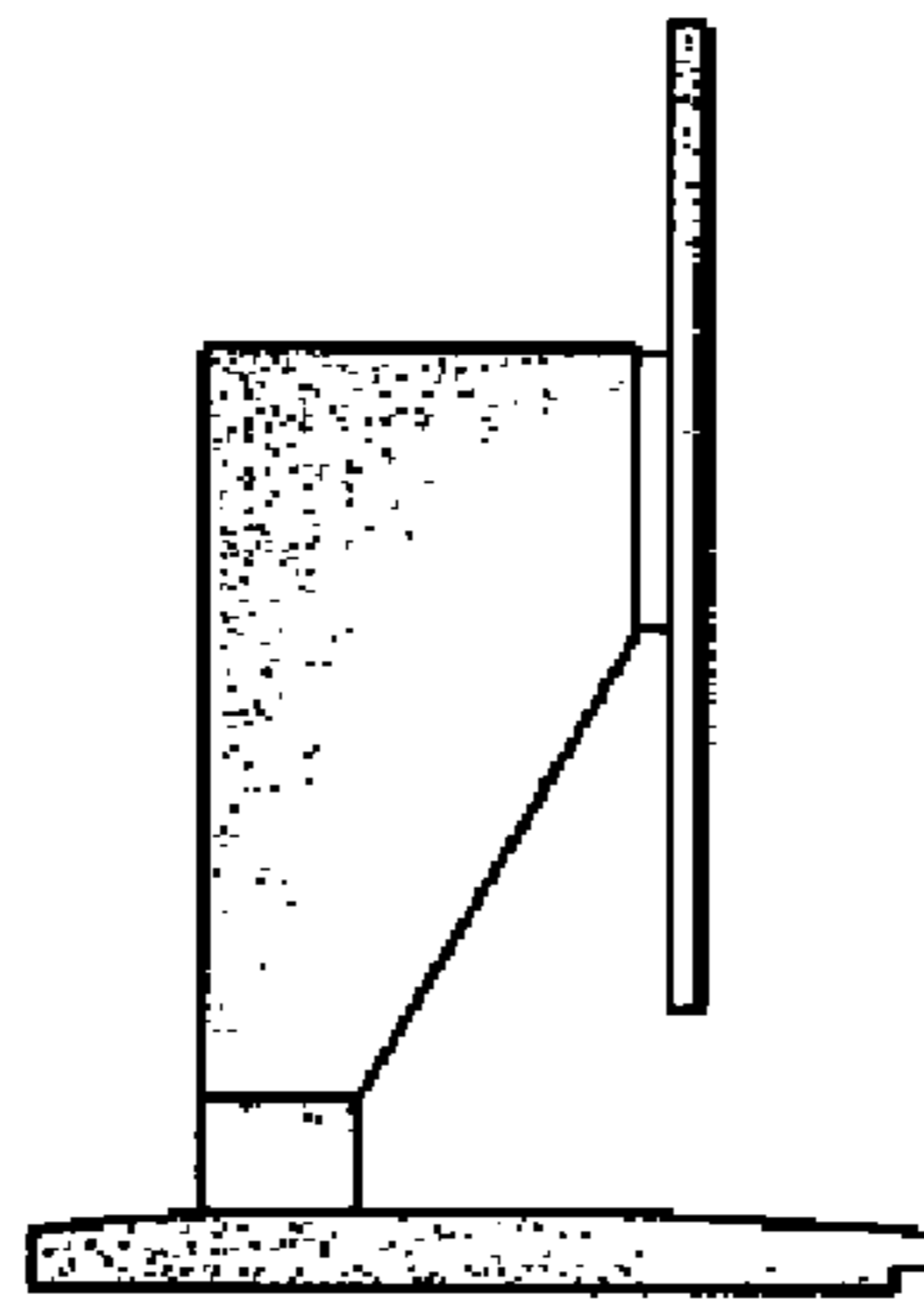


FIG. 5

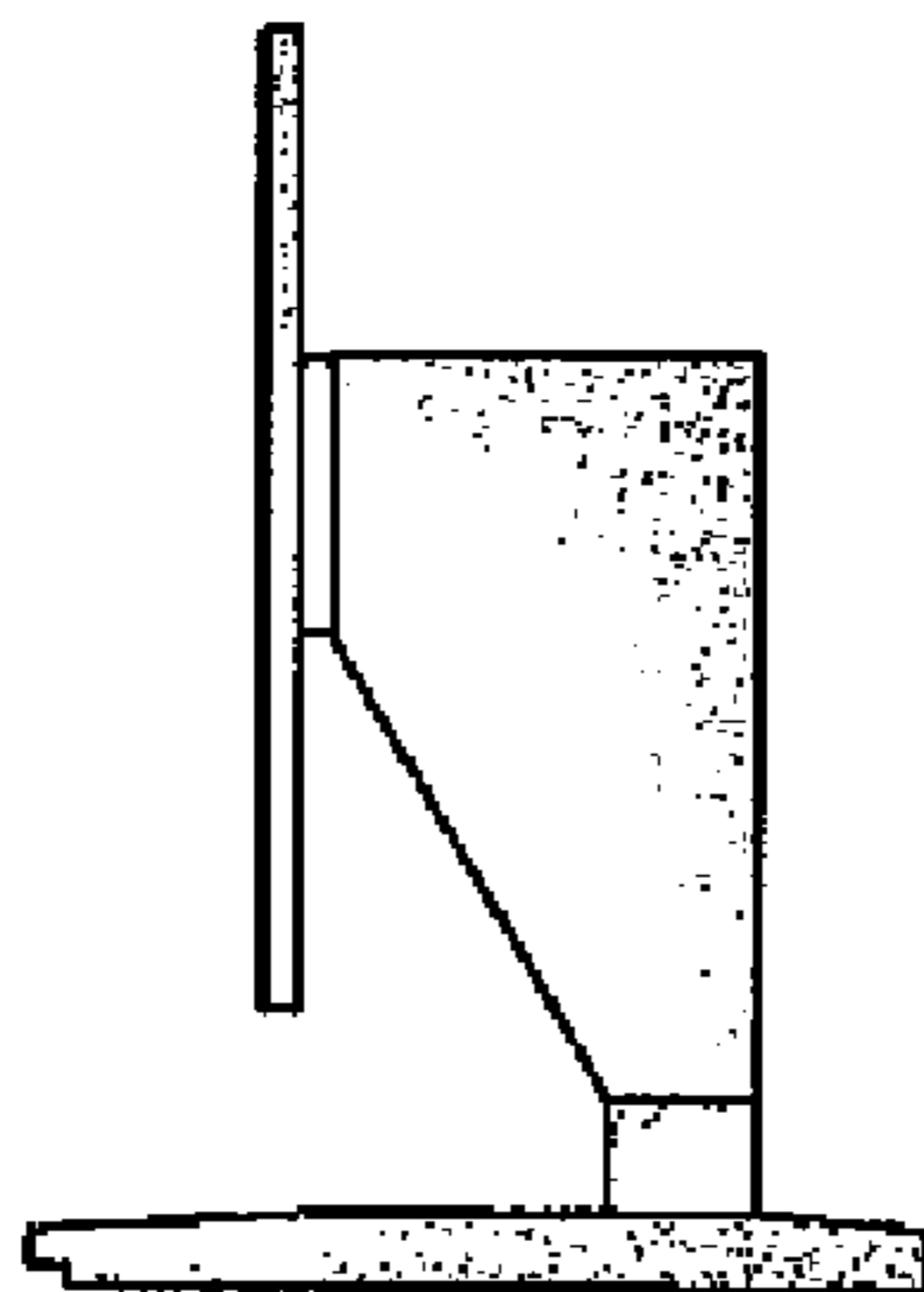


FIG. 6

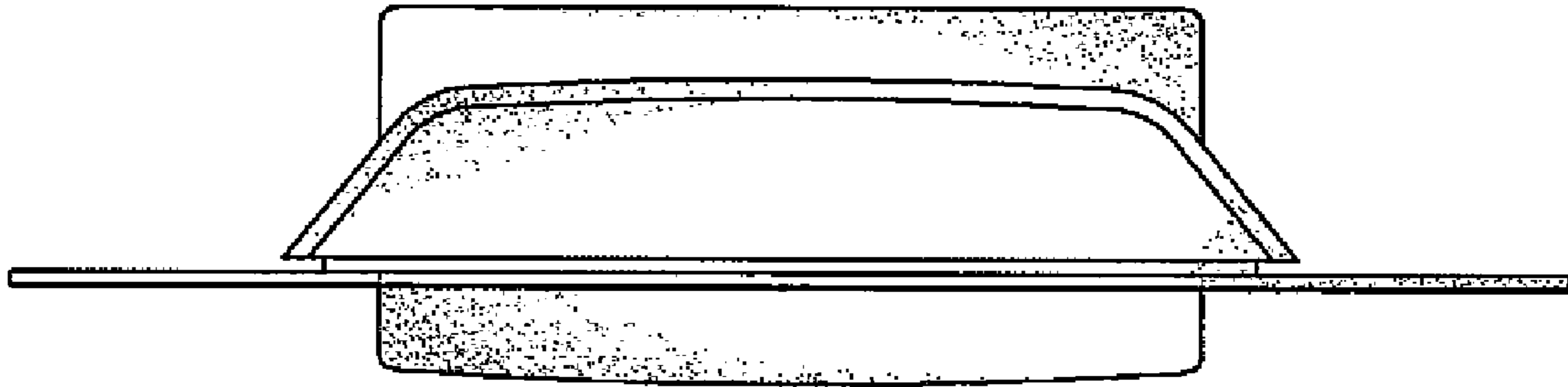


FIG. 7

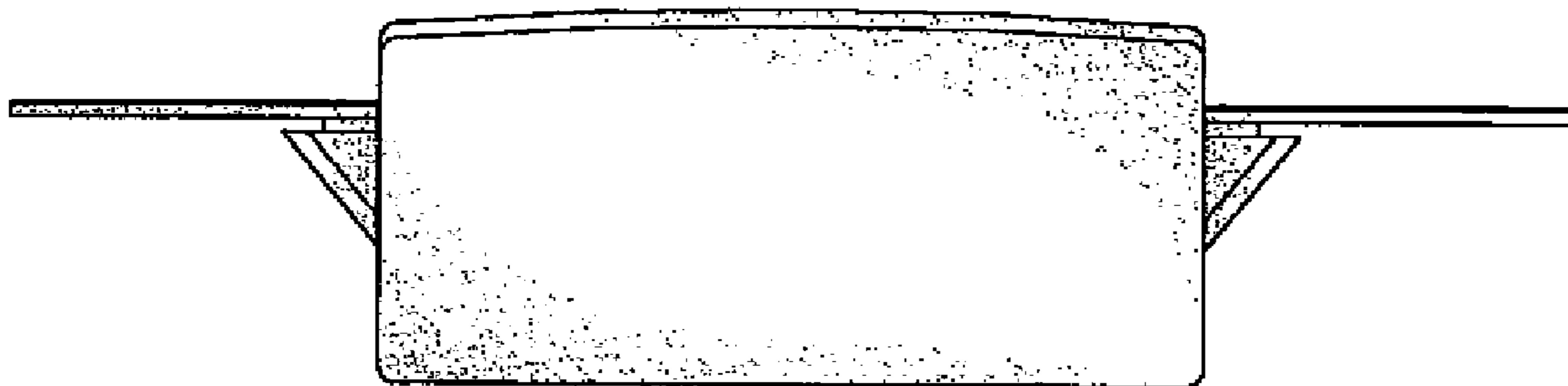


Fig. 8

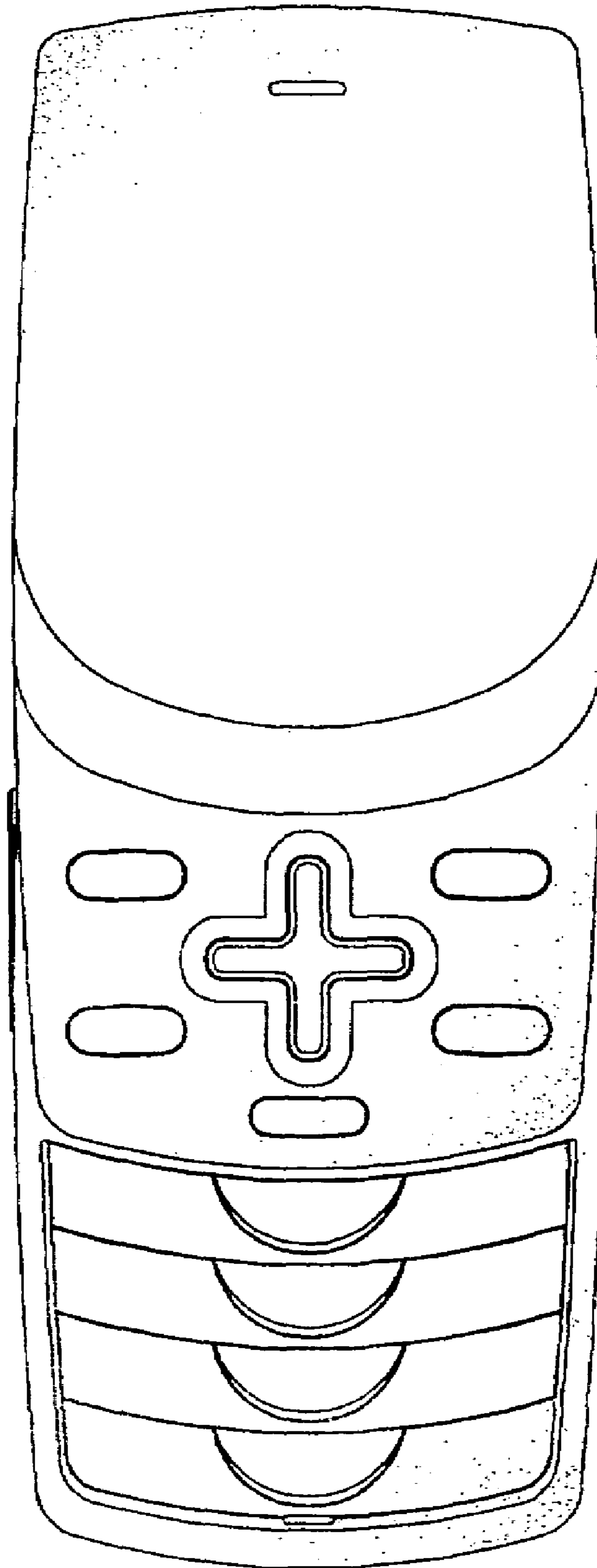


Fig. 9

