



US00D563363S

(12) **United States Design Patent**
Park et al.

(10) **Patent No.:** **US D563,363 S**
(45) **Date of Patent:** **** Mar. 4, 2008**

(54) **PORTABLE TELEPHONE**

(75) Inventors: **Sang-Sik Park**, Seoul (KR);
Hyun-Seop Kim, Seoul (KR);
Chang-Hwan Hwang, Seoul (KR)

(73) Assignee: **Samsung Electronics Co., Ltd.**,
Kyunggi-do (KR)

(**) Term: **14 Years**

(21) Appl. No.: **29/269,072**

(22) Filed: **Nov. 20, 2006**

(51) **LOC (8) Cl.** **14-03**

(52) **U.S. Cl.** **D14/138**

(58) **Field of Classification Search** D14/137,
D14/138, 144, 147-148, 247, 248, 341-347,
D14/496; 455/550.1-90.3

See application file for complete search history.

(56) **References Cited**

U.S. PATENT DOCUMENTS

D464,963 S	*	10/2002	Nishida	D14/346
D479,514 S	*	9/2003	Chan	D14/138
D503,164 S	*	3/2005	Park et al.	D14/138
D508,688 S		8/2005	Lee et al.		
D509,203 S	*	9/2005	Bertrand et al.	D14/138
D511,342 S	*	11/2005	Chien	D14/346
D526,300 S	*	8/2006	Lee	D14/138
D527,716 S	*	9/2006	Kim et al.	D14/138
D529,465 S		10/2006	Kim et al.		
D529,888 S		10/2006	Lee et al.		
D531,610 S	*	11/2006	Kim et al.	D14/138

D532,766 S		11/2006	Lee		
D534,144 S	*	12/2006	Chung et al.	D14/138
D534,518 S		1/2007	Choi et al.		
2005/0063144 A1*		3/2005	Park et al.	361/681

OTHER PUBLICATIONS

Samsung E740, announced Feb. 2007 (online), retrieved Jun. 18, 2007, retrieved from Internet URL www.gsmarena.com.*

Nokia 5200, announced Sep. 2006 (online), retrieved Jun. 18, 2007, retrieved from Internet URL www.gsmarena.com.*

* cited by examiner

Primary Examiner—Terry A Wallace

(74) *Attorney, Agent, or Firm*—Flynn, Thiel, Boutell & Tanis, P.C.

(57) **CLAIM**

The ornamental design for a portable telephone, as shown and described.

DESCRIPTION

FIG. 1 is a top front perspective view of a portable telephone showing our new design;

FIG. 2 is a front elevational view thereof;

FIG. 3 is a rear elevational view thereof;

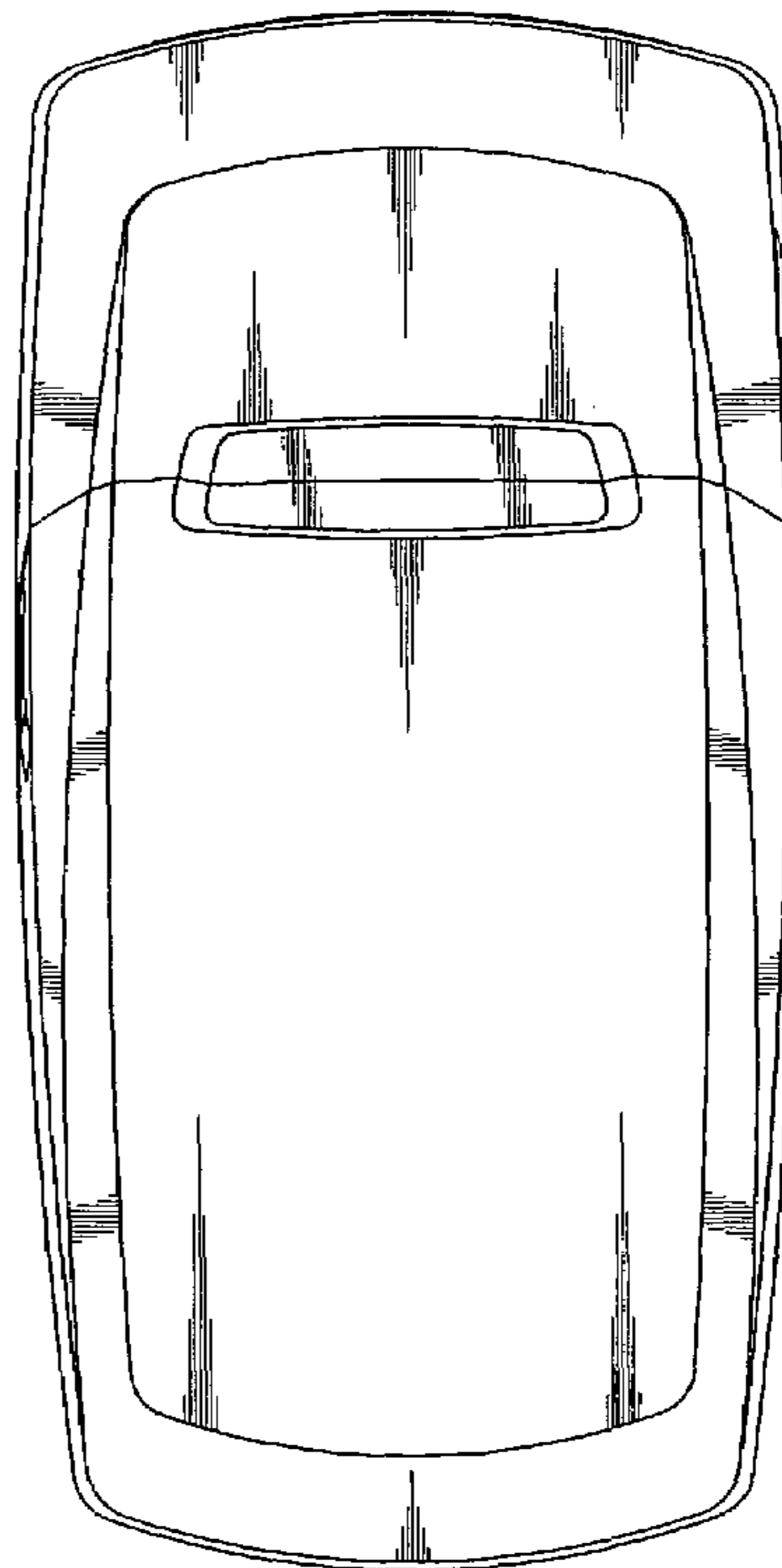
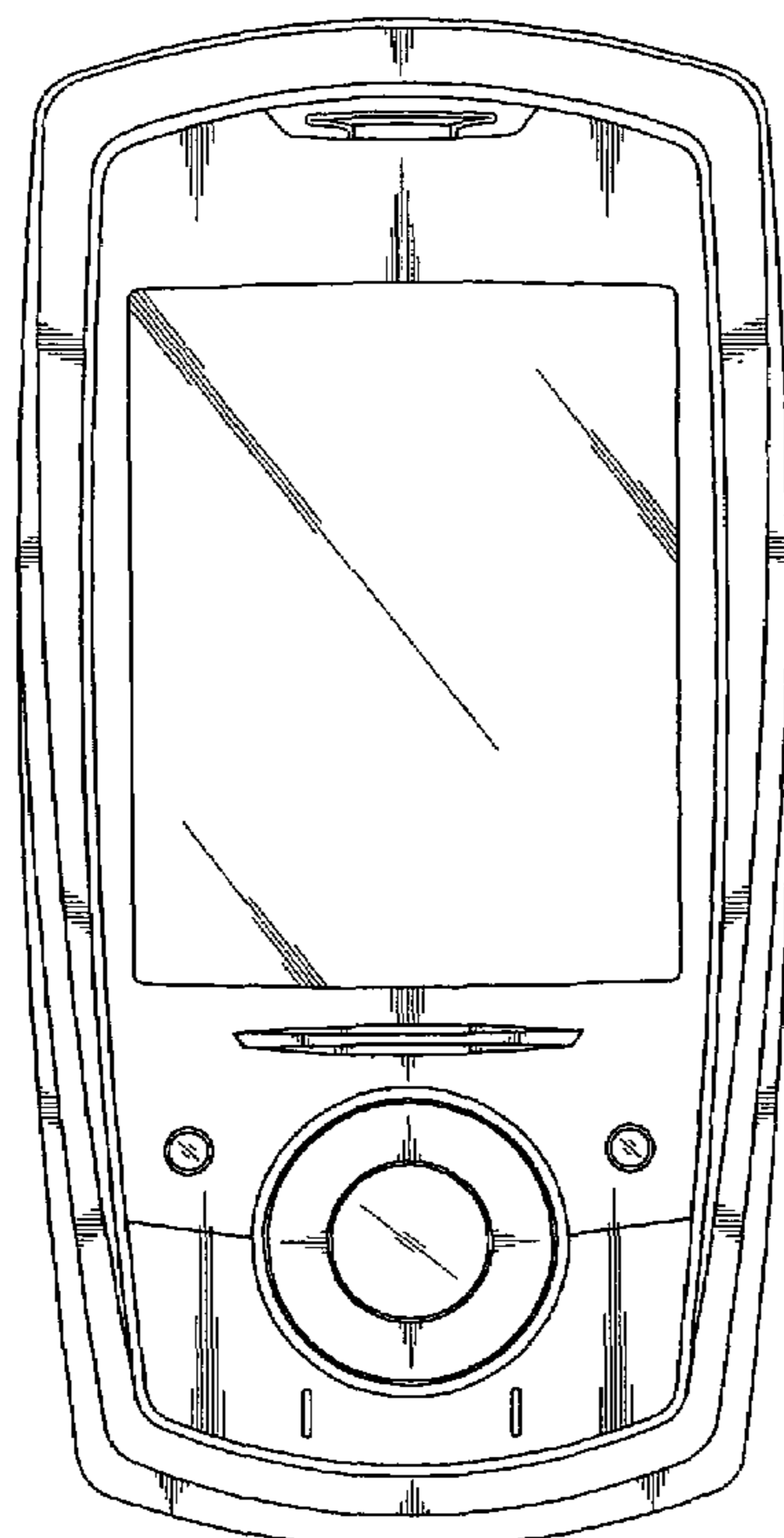
FIG. 4 is a left side elevational view thereof;

FIG. 5 is a right side elevational view thereof;

FIG. 6 is a top plan view thereof; and,

FIG. 7 is a bottom plan view.

1 Claim, 4 Drawing Sheets



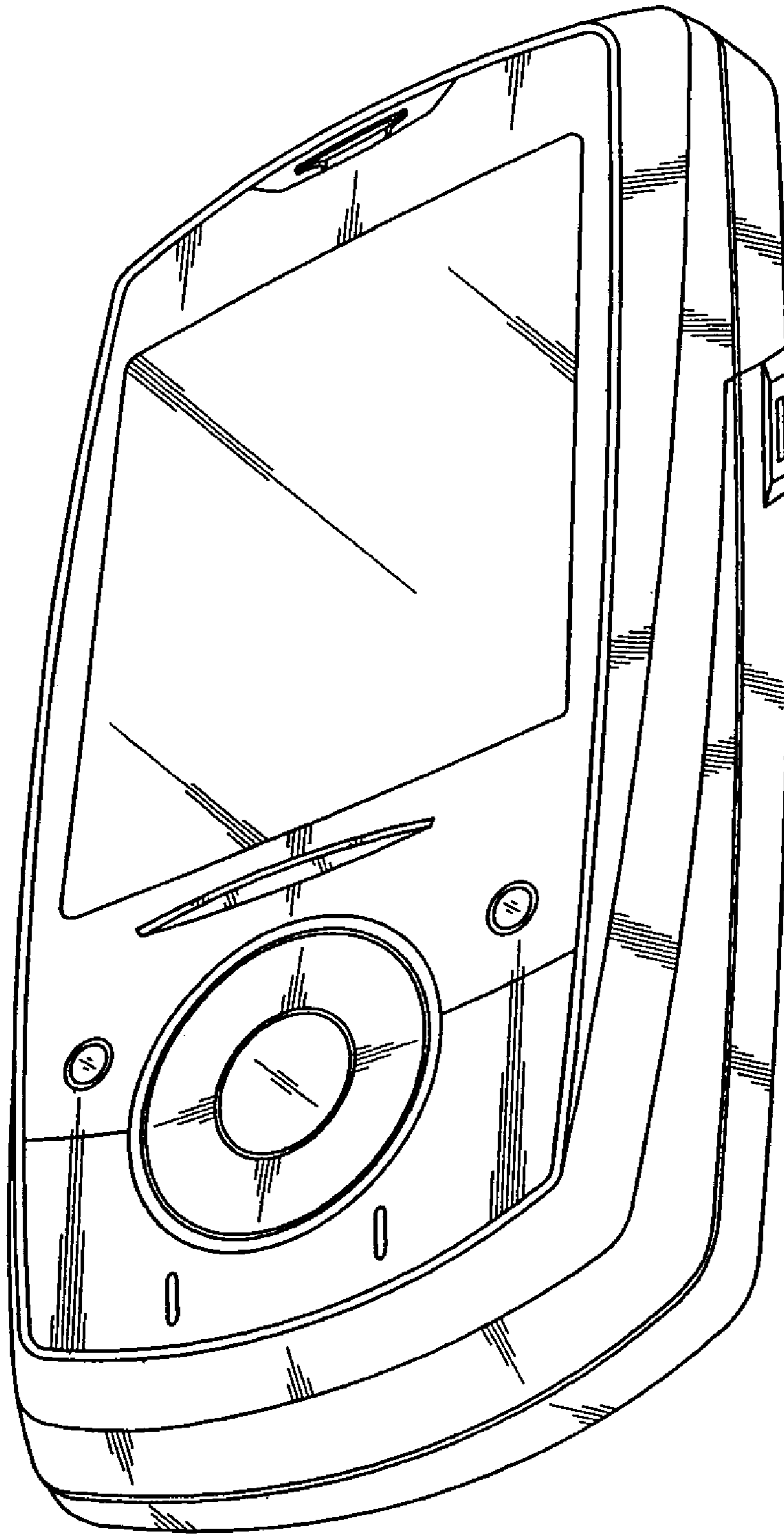


FIG. 1

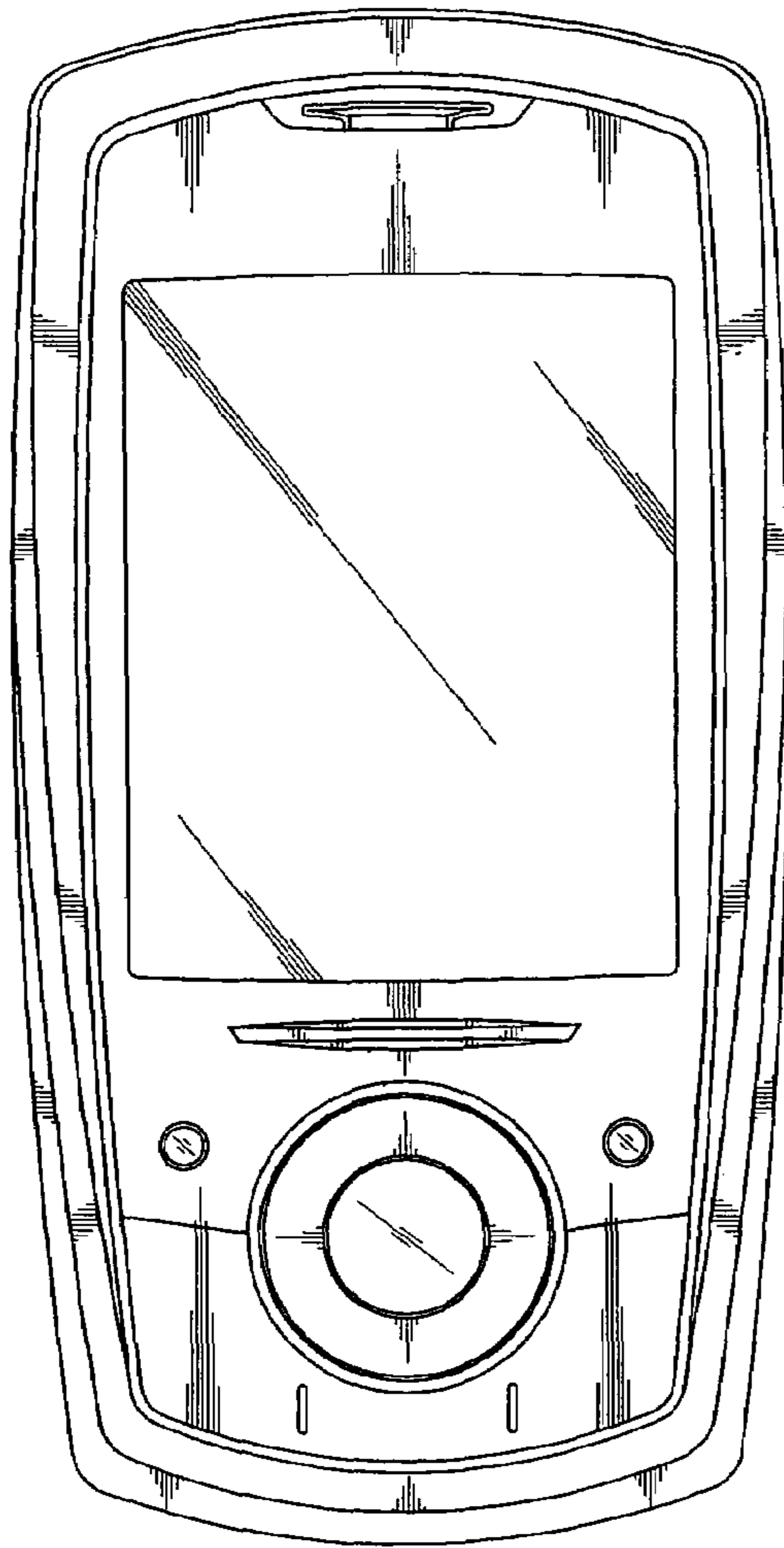


FIG. 2

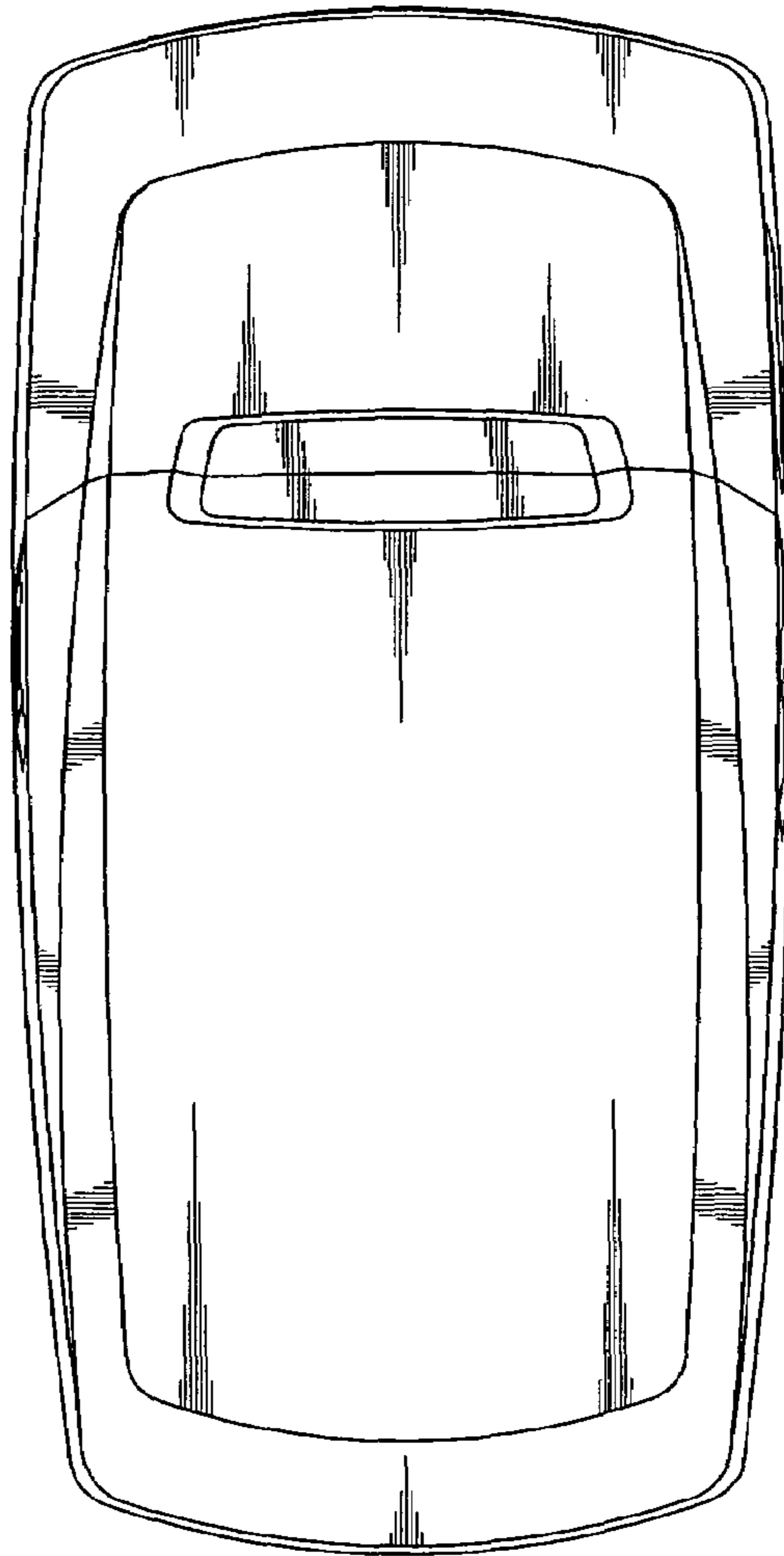


FIG. 3

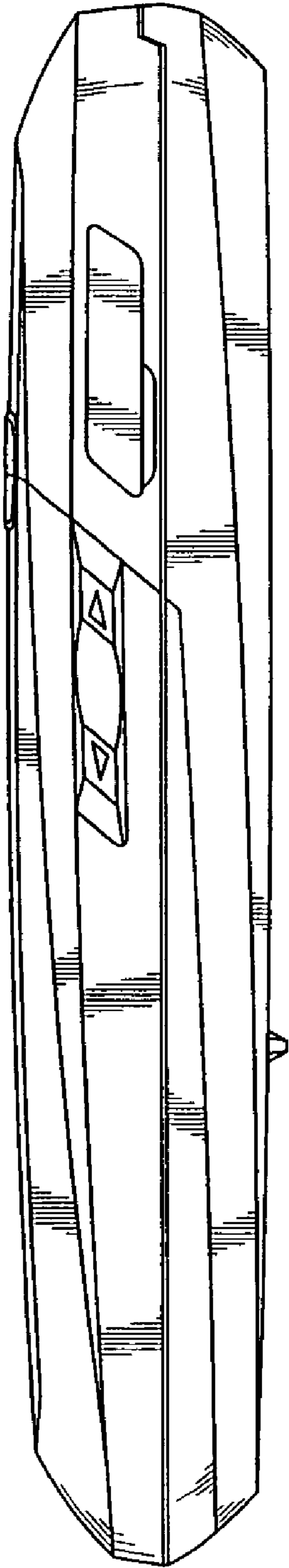


FIG. 4

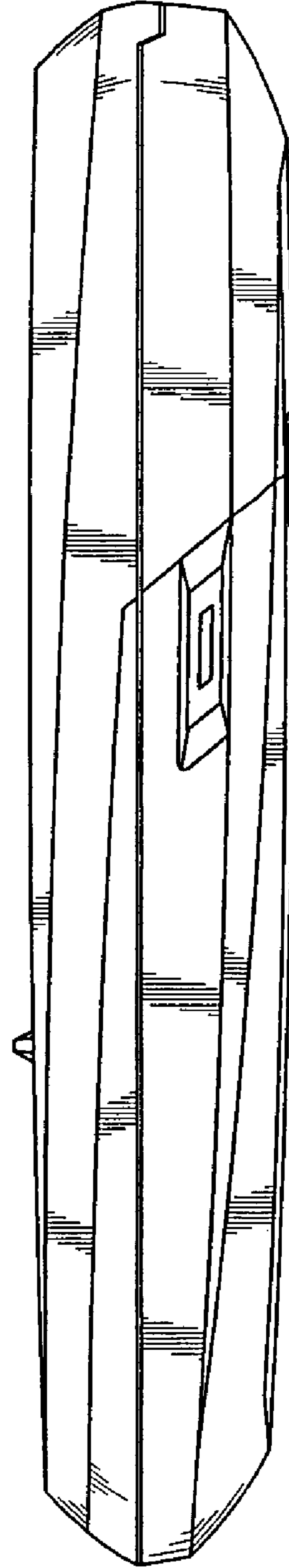


FIG. 5

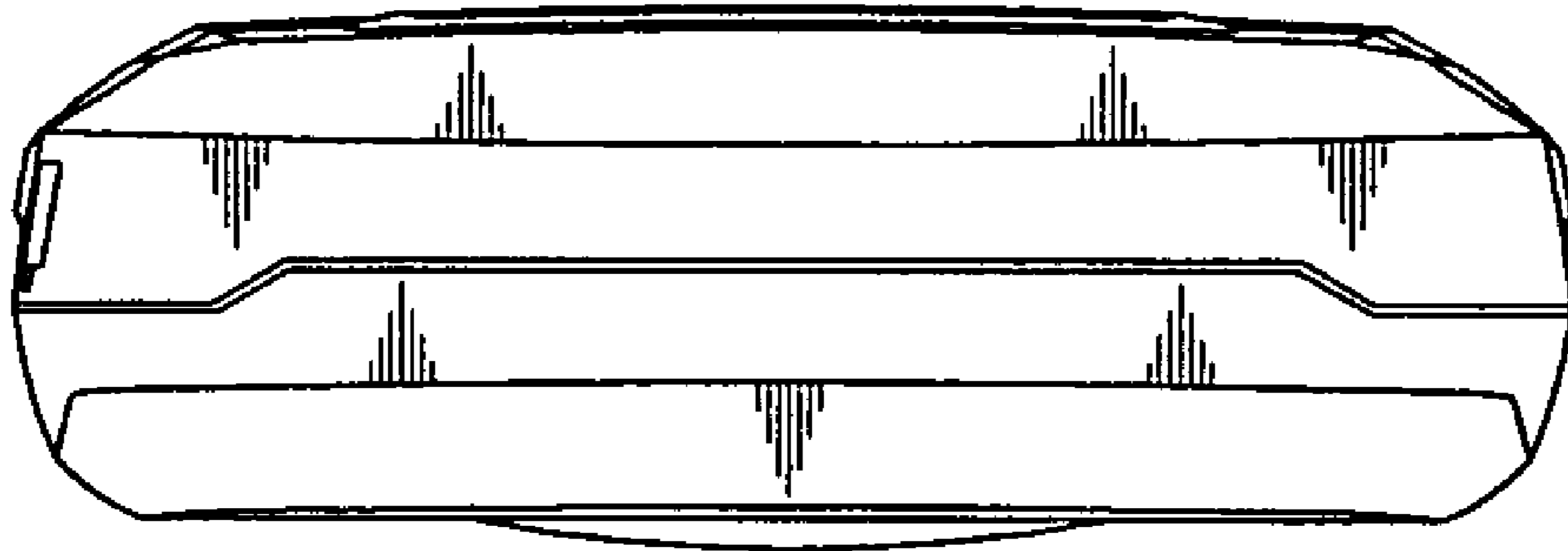


FIG. 6

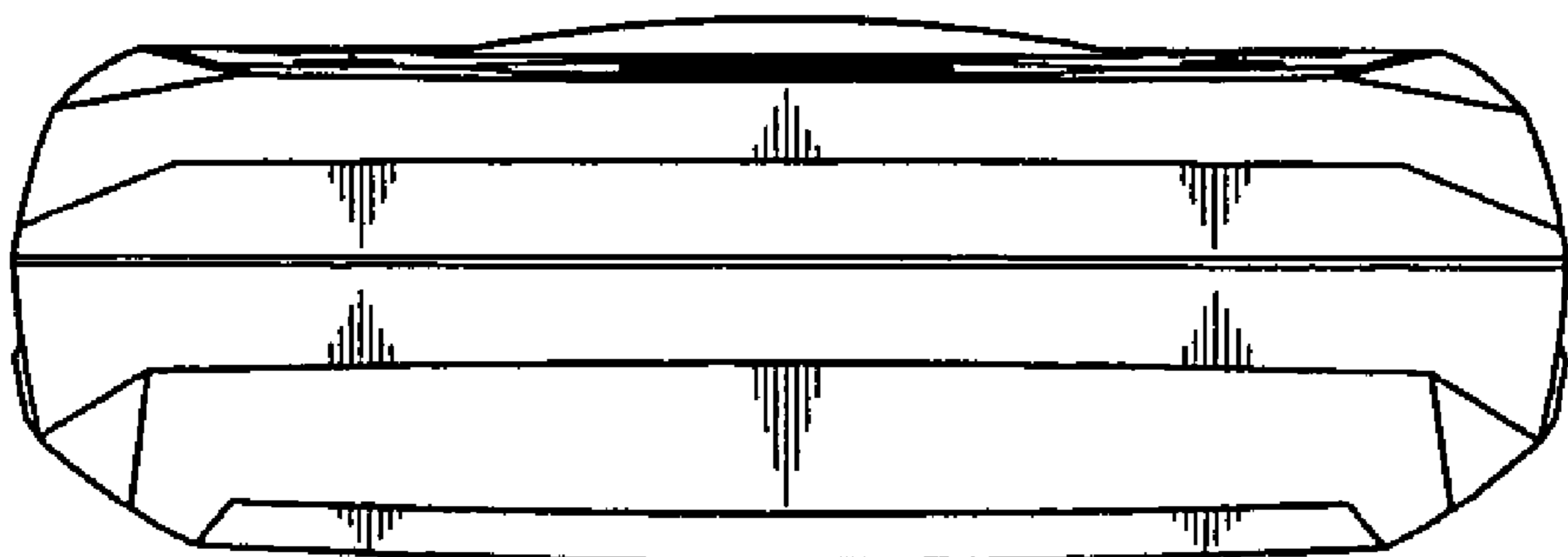


FIG. 7