

US00D563358S

(12) **United States Design Patent**
Baik et al.

(10) **Patent No.:** **US D563,358 S**
(45) **Date of Patent:** **** Mar. 4, 2008**

(54) **PORTABLE PHONE**

(75) Inventors: **Jae-Ho Baik**, Seoul (KR); **Hyun-Sook Kim**, Yeongin-si (KR); **Yoon-Young Cho**, Seoul (KR); **Chang-Hwan Hwang**, Goyang-Si (KR)

(73) Assignee: **Samsung Electronics Co., Ltd.**, Suwon-Si (KR)

(**) Term: **14 Years**

(21) Appl. No.: **29/262,118**

(22) Filed: **Jun. 27, 2006**

(30) **Foreign Application Priority Data**

Dec. 28, 2005 (KR) 30-2005-0044316

(51) **LOC (8) Cl.** **14-03**

(52) **U.S. Cl.** **D14/138**

(58) **Field of Classification Search** D14/496,
D14/138, 341-347; 455/575.3, 575.1; D21/517,
D21/329, 333

See application file for complete search history.

(56) **References Cited**

U.S. PATENT DOCUMENTS

D475,358 S *	6/2003	Wang et al.	D14/138
D496,016 S *	9/2004	Hoo	D14/138
D500,480 S *	1/2005	Daw	D14/138
D500,750 S *	1/2005	Arnholt et al.	D14/138
D501,658 S *	2/2005	Park et al.	D14/138
D508,034 S *	8/2005	Liao	D14/138
D508,035 S *	8/2005	Kim et al.	D14/138
D512,975 S *	12/2005	Tsai et al.	D14/138
D518,465 S *	4/2006	Van Den Nieuwenhuizen et al.	D14/138
D518,812 S *	4/2006	Kim et al.	D14/138
D519,970 S *	5/2006	Kang et al.	D14/138
D520,484 S *	5/2006	Lee et al.	D14/138
D536,687 S *	2/2007	Lheem	D14/138
D537,059 S *	2/2007	Hwang	D14/138
D537,061 S *	2/2007	Oh	D14/138
D539,772 S *	4/2007	Park et al.	D14/138
D540,769 S *	4/2007	Lee et al.	D14/138
D543,172 S *	5/2007	Lee et al.	D14/138
D543,175 S *	5/2007	Park et al.	D14/138

D543,965 S *	6/2007	Lee et al.	D14/138
D545,799 S *	7/2007	Kim et al.	D14/138
D548,218 S *	8/2007	Hong et al.	D14/138
D549,199 S *	8/2007	Sugiura	D14/138
D550,641 S *	9/2007	Wang	D14/138
2004/0142734 A1 *	7/2004	Kim	455/575.1

OTHER PUBLICATIONS

Samsung Z540 telephone, announced 4th quarter 2005, [online], [retrieved on Sep. 24, 2007]. Retrieved from Internet ,<URL: <http://www.gsmarena.com>>.*

Samsung X500 telephone, announced Jun. 2006, [online], [retrieved on Sep. 17, 2007]. Retrieved from Internet ,<URL: <http://www.gsmarena.com>>.*

Samsung Z510 telephone, announced 4th quarter 2005, [online], [retrieved on Sep. 24, 2007]. Retrieved from Internet ,<URL: <http://www.gsmarena.com>>.*

NEC e808 telephone, announced 1st quarter 2003, [online], [retrieved on Sep. 18, 2007]. Retrieved from Internet ,<URL: <http://www.gsmarena.com>>.*

LG CU500 telephone, announced Jul. 2006, [online], [retrieved on Sep. 26, 2007]. Retrieved from Internet ,<URL: <http://www.gsmarena.com>>.*

* cited by examiner

Primary Examiner—Jeffrey Asch

(74) *Attorney, Agent, or Firm*—Staas & Halsey LLP

(57) **CLAIM**

The ornamental design for the portable phone, as shown and described.

DESCRIPTION

FIG. 1 is a perspective view of the portable phone showing our design;

FIG. 2 is a front view thereof;

FIG. 3 is a rear view thereof;

FIG. 4 is a left side view thereof;

FIG. 5 is a right side view thereof;

FIG. 6 is a top plan view thereof;

FIG. 7 is a bottom plan view thereof; and,

FIG. 8 is a front, open view thereof.

1 Claim, 5 Drawing Sheets

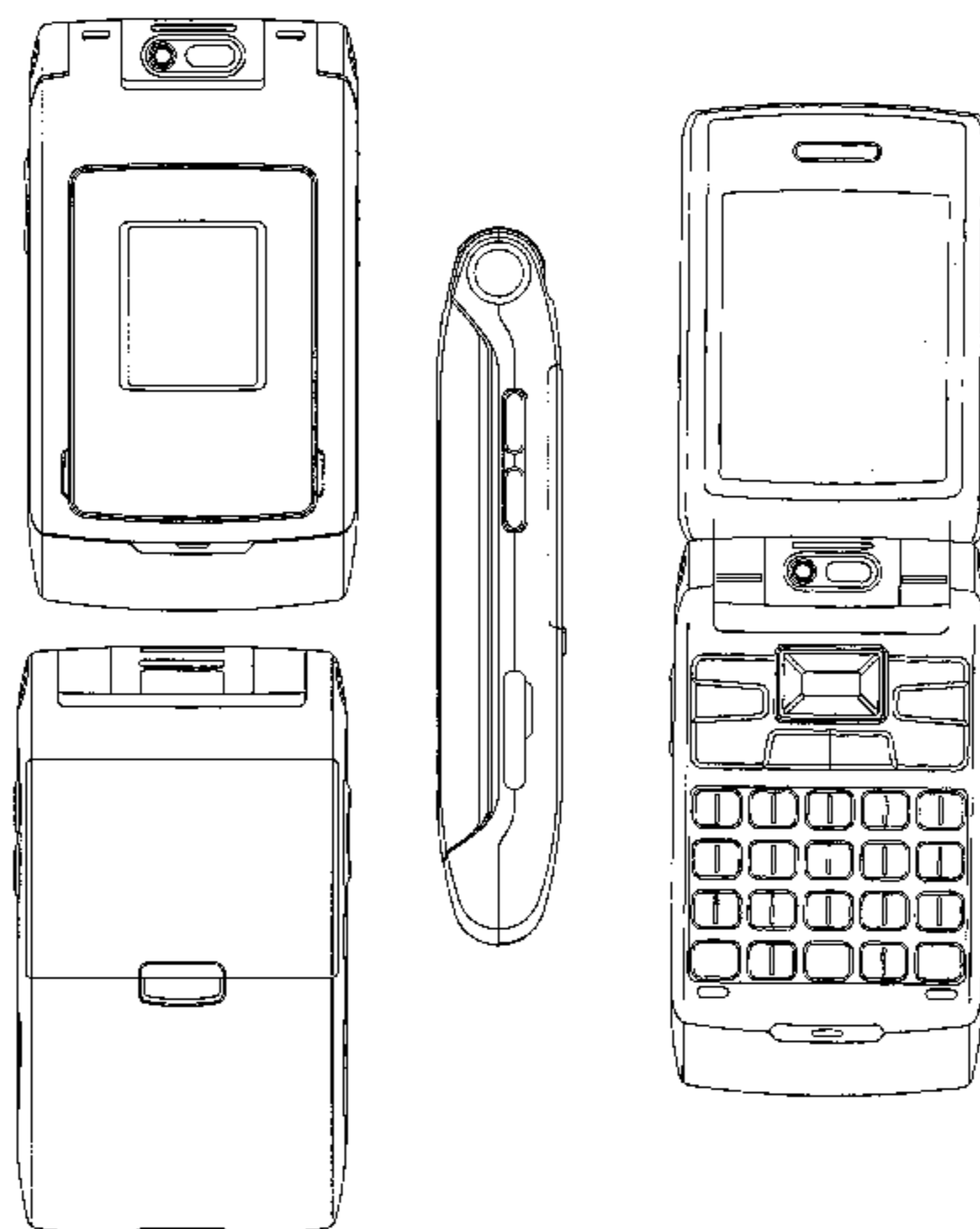


FIG. 1

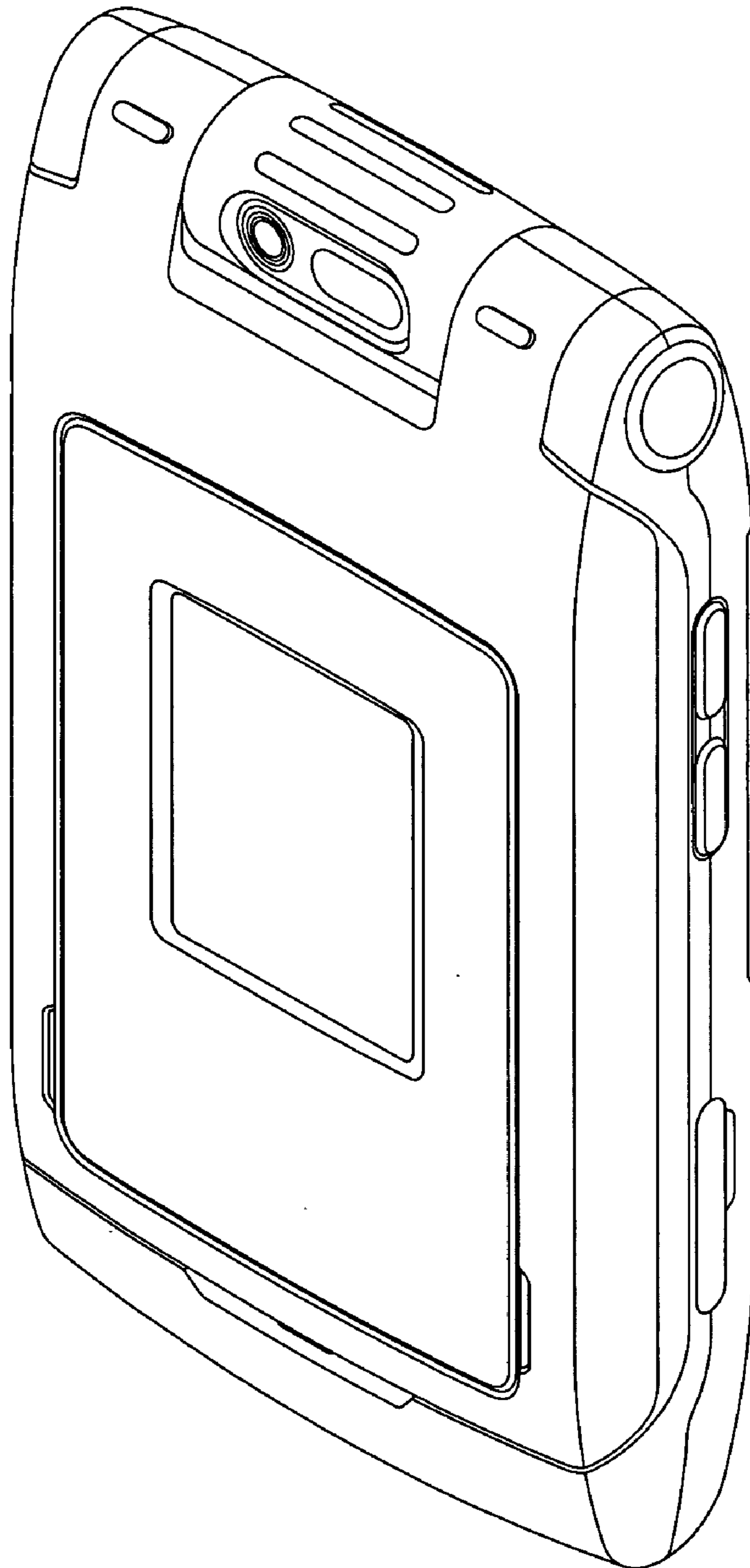


FIG. 2

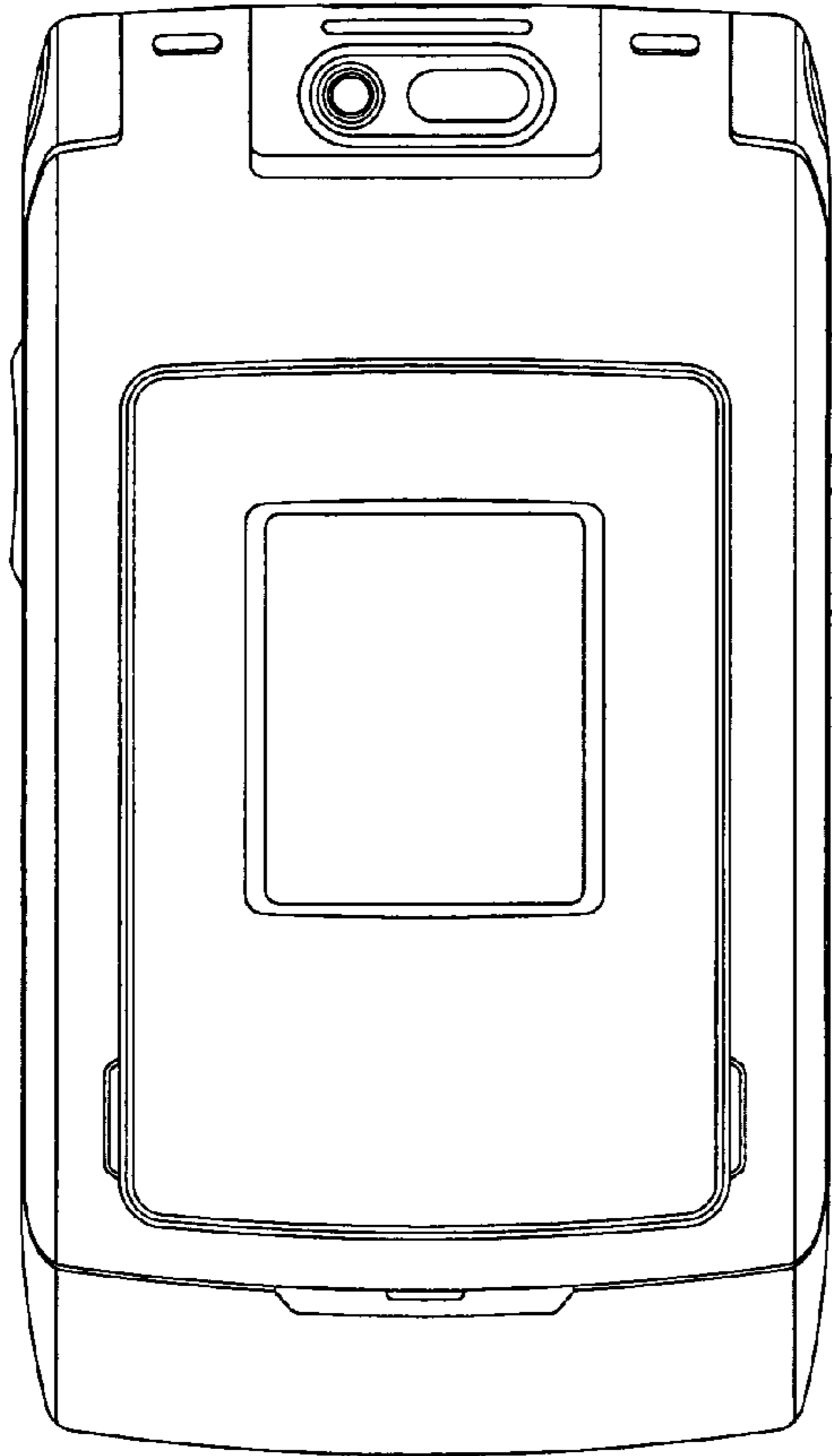


FIG. 3

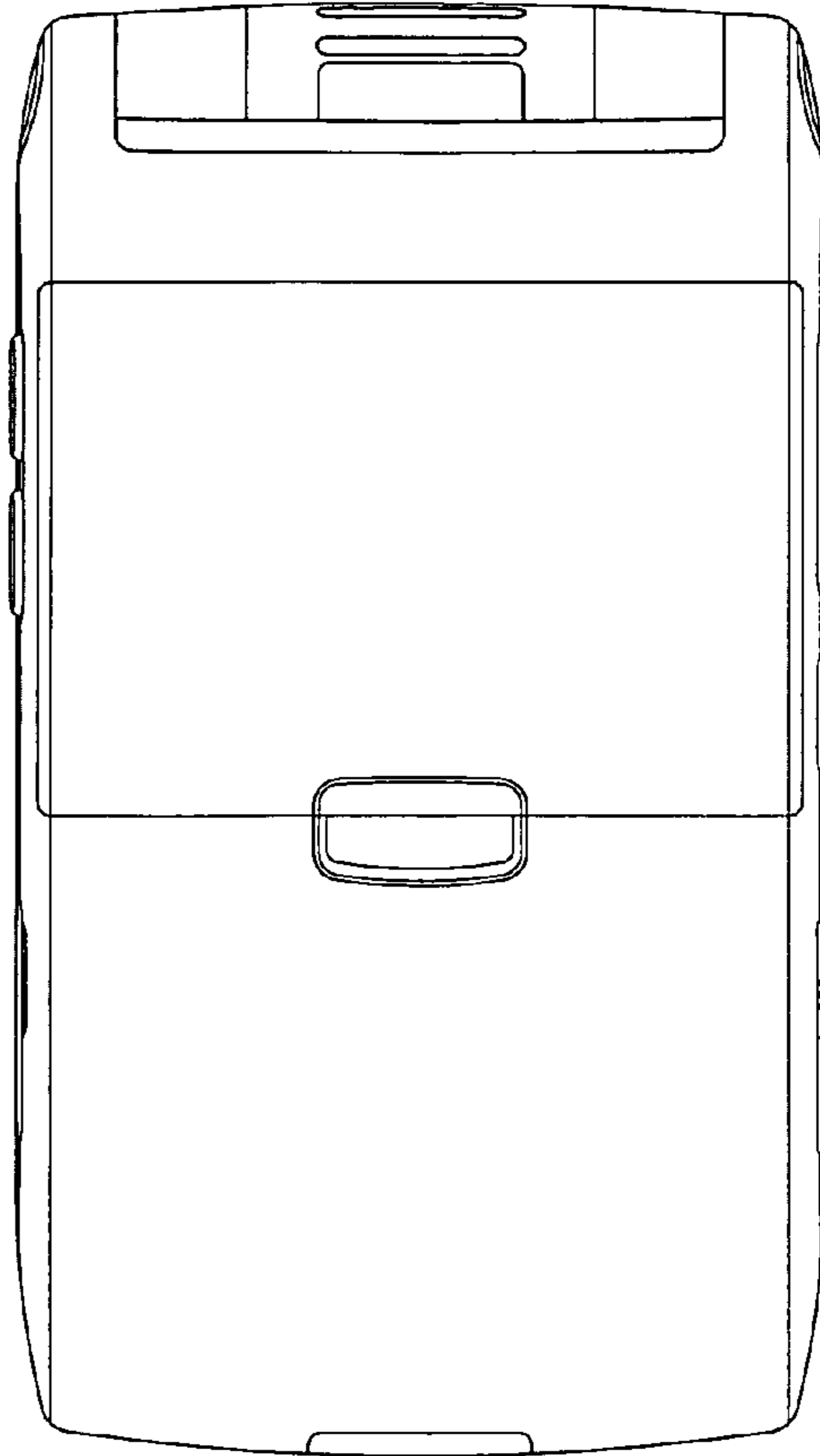


FIG. 4

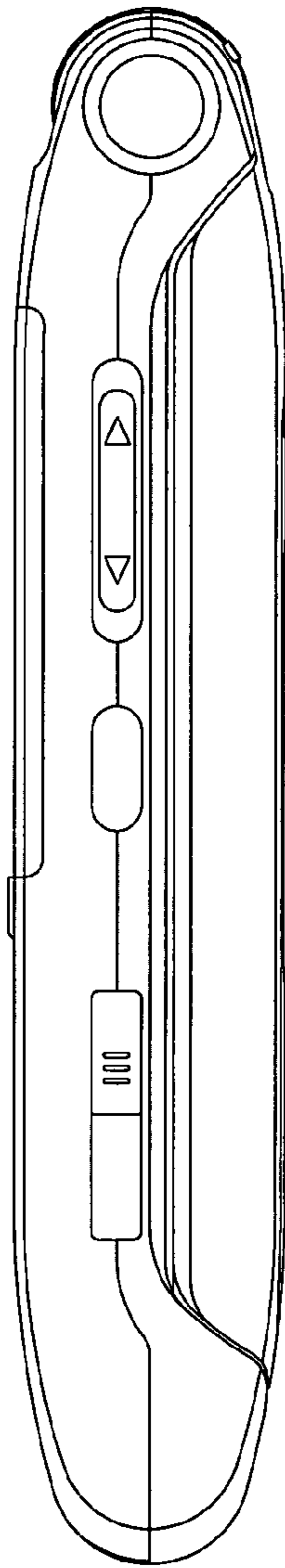


FIG. 5

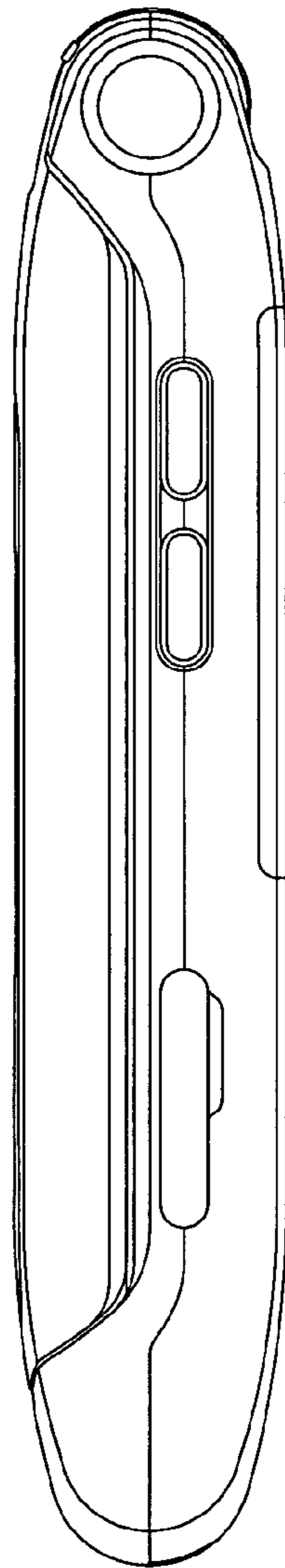


FIG. 6

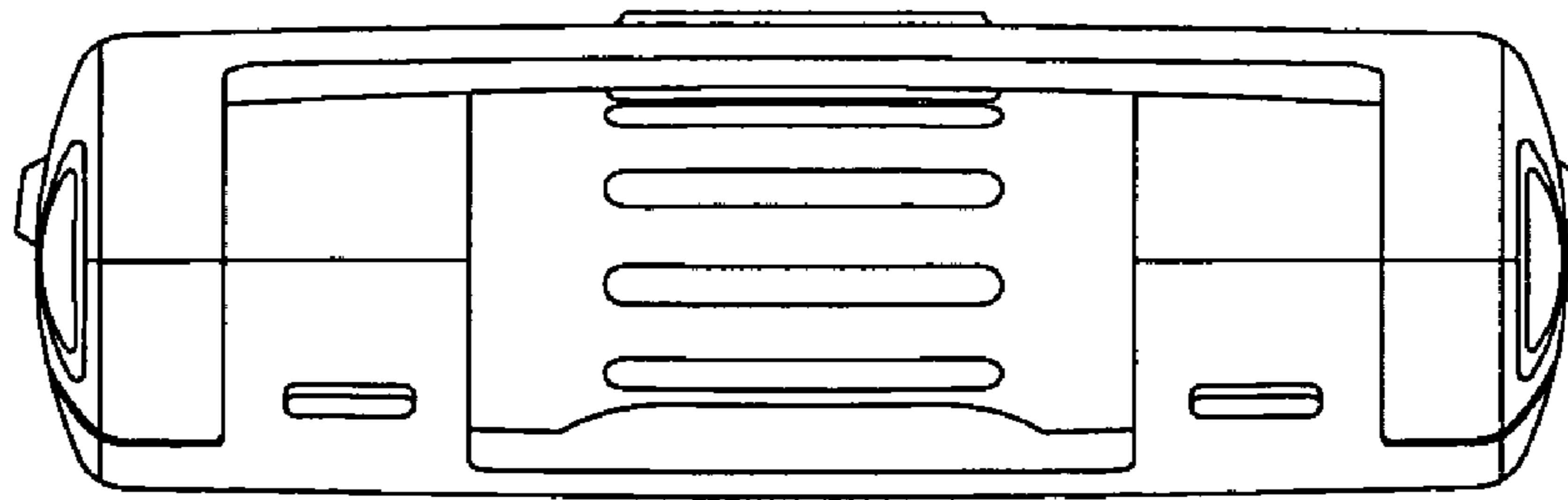


FIG. 7

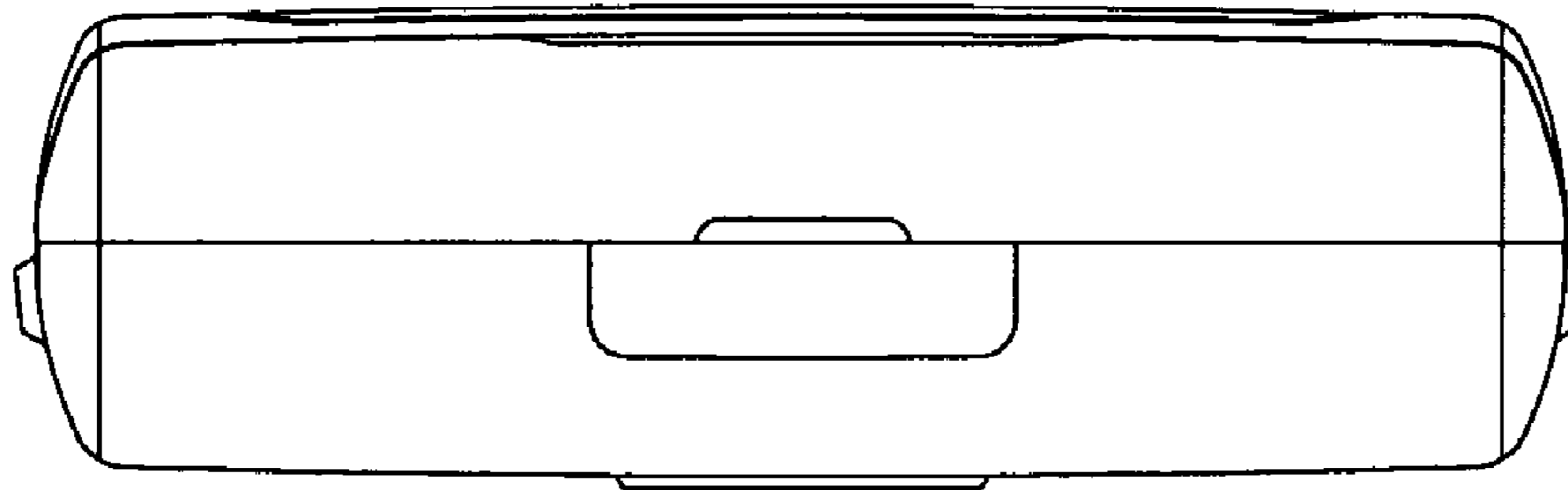


FIG. 8

