

US00D563355S

(12) **United States Design Patent**
Hwang et al.

(10) **Patent No.:** **US D563,355 S**
(45) **Date of Patent:** **** Mar. 4, 2008**

(54) **MOBILE PHONE**

(75) Inventors: **Kyoung Boo Hwang**, Seoul (KR); **Ho Phil Lee**, Gyeonggi-do (KR)

(73) Assignee: **LG Electronics Inc.**, Seoul (KR)

(**) Term: **14 Years**

(21) Appl. No.: **29/256,488**

(22) Filed: **Mar. 22, 2006**

(30) **Foreign Application Priority Data**

Sep. 23, 2005 (KR) 30-2005-0032299

(51) **LOC (8) Cl.** **14-03**

(52) **U.S. Cl.** **D14/138**

(58) **Field of Classification Search** D14/137-138,
D14/147-148, 156, 218, 247-248, 341-347,
D14/496; D16/208; D21/329, 331, 333,
D21/517; 348/14.01-14.02; 361/814; 379/
433.01-433.13; 455/90.3, 556.1-556.2,
455/566, 575.1, 575.3, 575.4

See application file for complete search history.

(56) **References Cited**

U.S. PATENT DOCUMENTS

- D351,853 S * 10/1994 Ido D14/345
- D353,827 S * 12/1994 Shigemura et al. D14/345
- D362,865 S * 10/1995 Komuta et al. D14/345
- D365,843 S * 1/1996 Komatsu D18/7
- D368,702 S * 4/1996 Shimizu D14/345
- D377,189 S * 1/1997 Komuta et al. D14/345
- 5,692,046 A * 11/1997 Jambhekar 379/433.13
- D528,527 S * 9/2006 Lee et al. D14/138
- D538,277 S * 3/2007 Eguchi D14/248
- D538,773 S * 3/2007 Joung D14/138

- D542,257 S * 5/2007 Ahn et al. D14/138
- D547,295 S * 7/2007 Park D14/138
- D547,329 S * 7/2007 Aoki D14/496

OTHER PUBLICATIONS

Samsung X200, announced 4Q 2005, <URL:www.gsmarena.com>, retrieved from internet Sep. 25, 2007.*

Alcatel OT-S850, announced 2Q 2005, <URL:www.gsmarena.com>, retrieved from internet Sep. 25, 2007.*

Nokia 9110i Communicator, announced 1999, <URL:www.gsmarena.com>, retrieved from internet Sep. 25, 2007.*

Pantech PG-6200, announced Feb. 2006, <URL:www.gsmarena.com>, retrieved from internet Sep. 25, 2007.*

* cited by examiner

Primary Examiner—Ian Simmons

Assistant Examiner—Carla Jobe Wright

(74) *Attorney, Agent, or Firm*—Birch, Stewart, Kolasch & Birch, LLP

(57) **CLAIM**

The ornamental design for a mobile phone, as shown and described.

DESCRIPTION

FIG. 1 is a perspective view of a mobile phone showing our new design;

FIG. 2 is a front view thereof;

FIG. 3 is a rear view thereof;

FIG. 4 is a left side view thereof where the right side view is a mirror image;

FIG. 5 is a top plan view thereof; and,

FIG. 6 is a bottom plan view thereof.

1 Claim, 3 Drawing Sheets

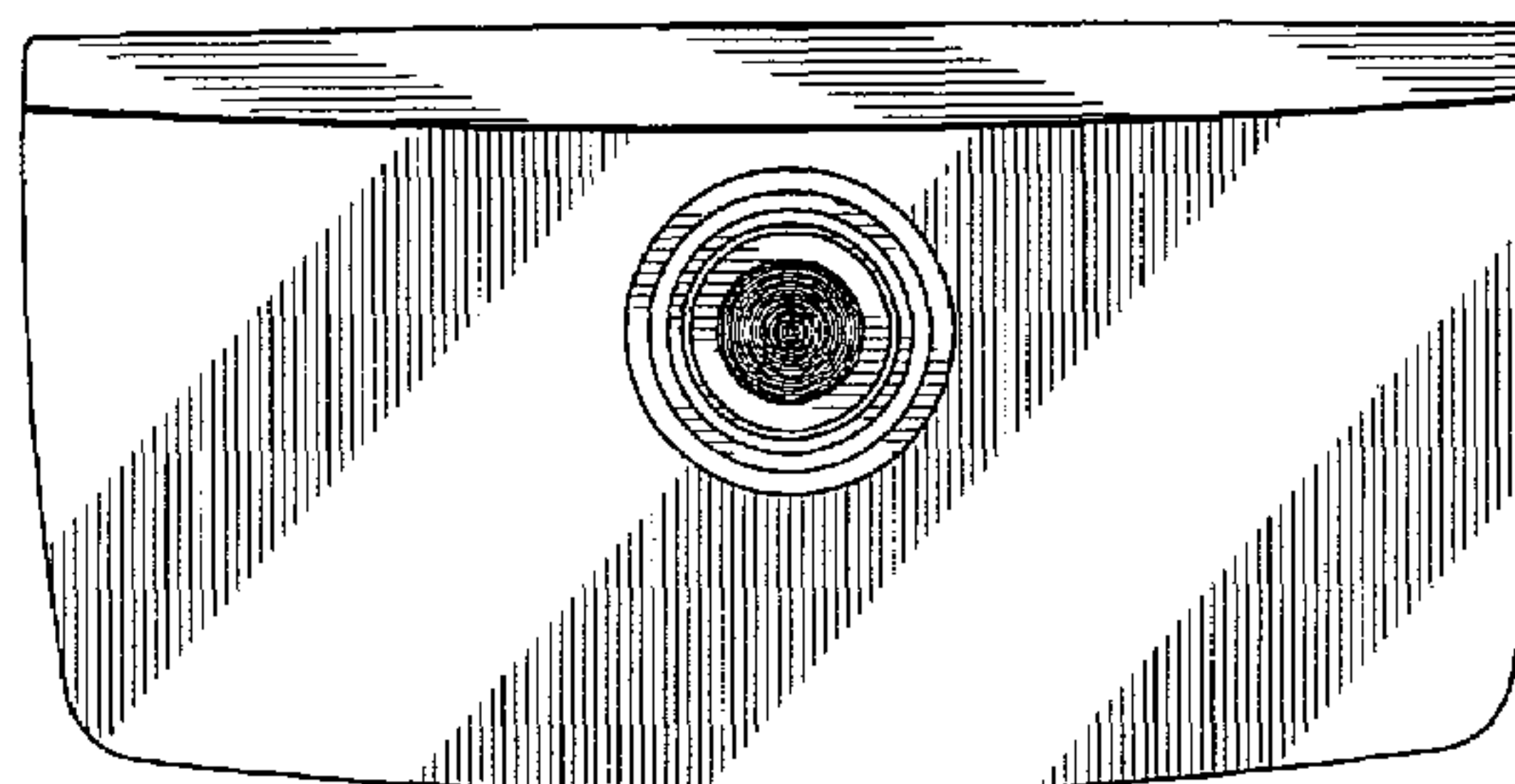
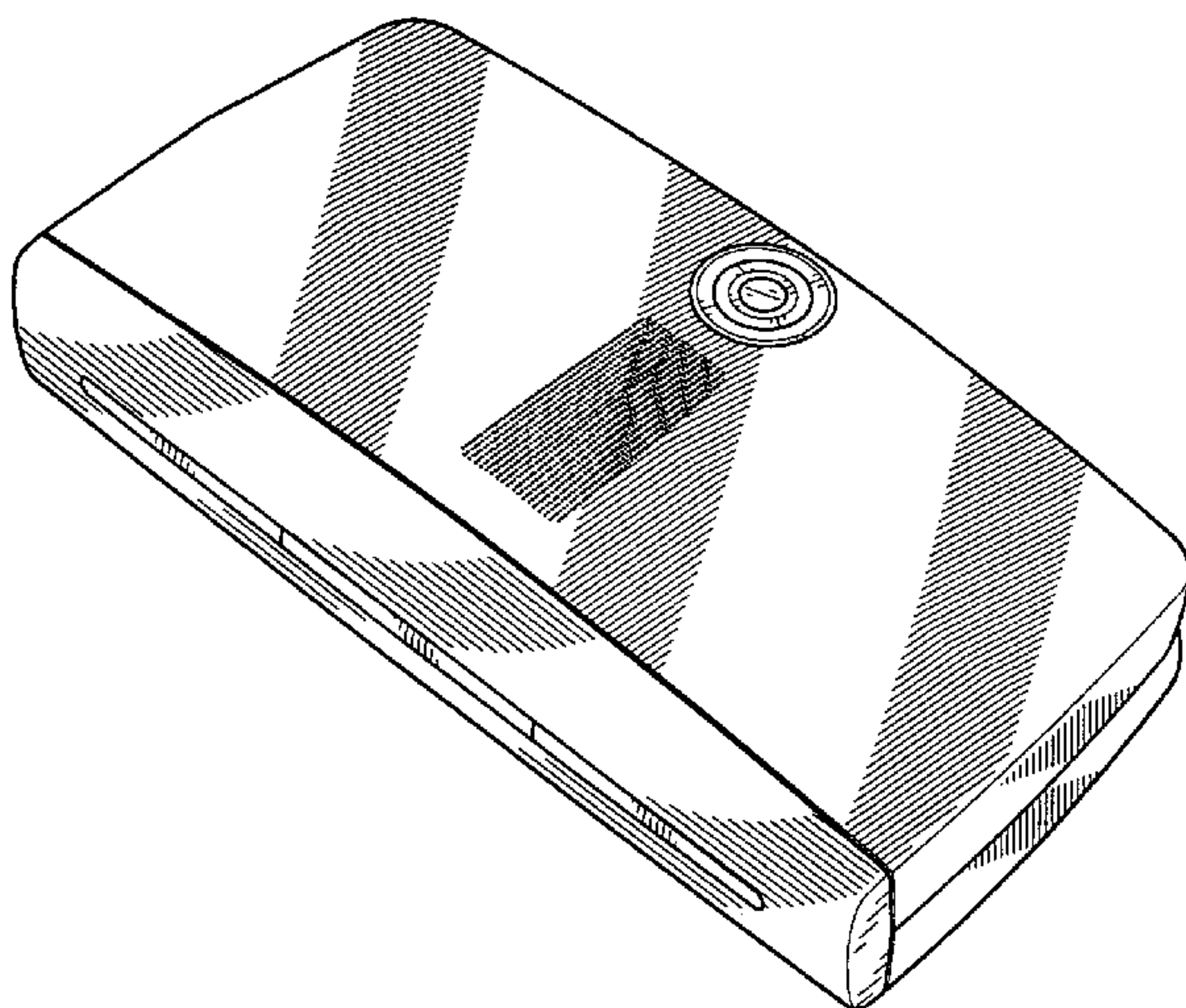


FIG. 1

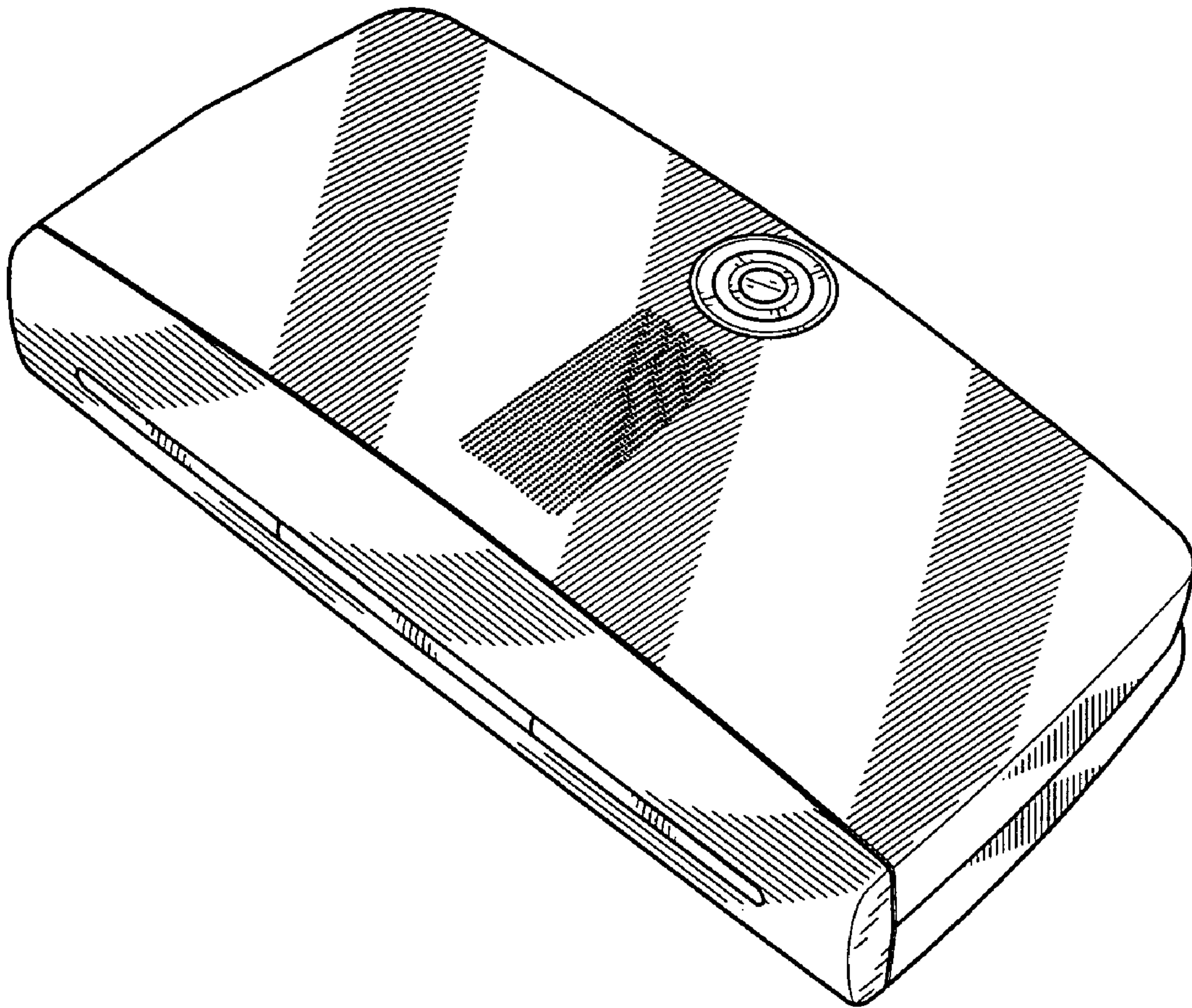


FIG. 2

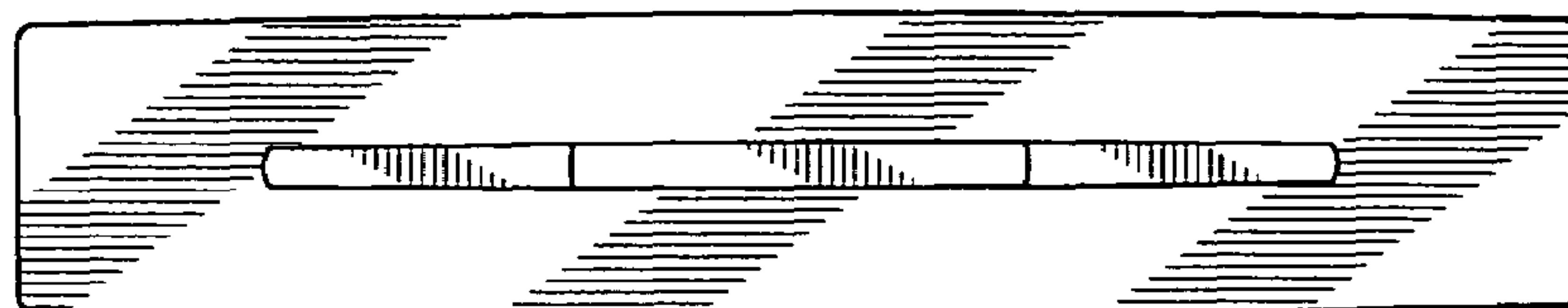


FIG. 3

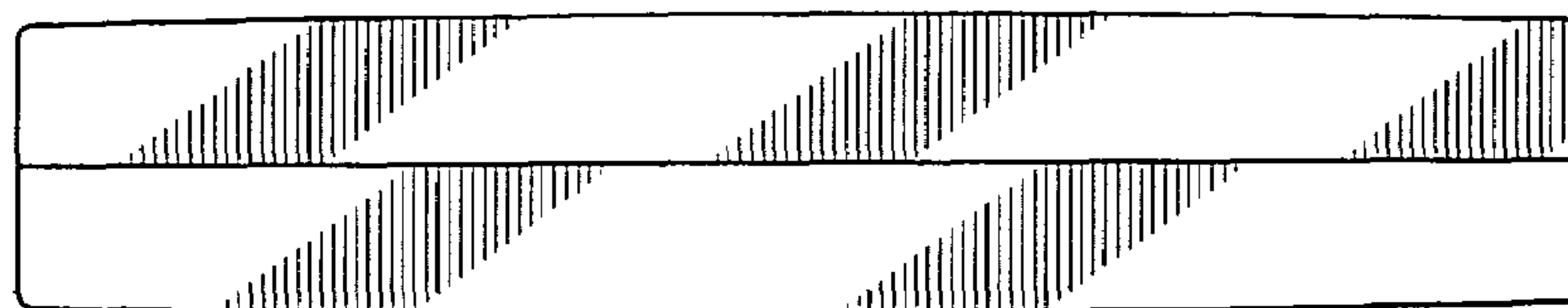


FIG. 4

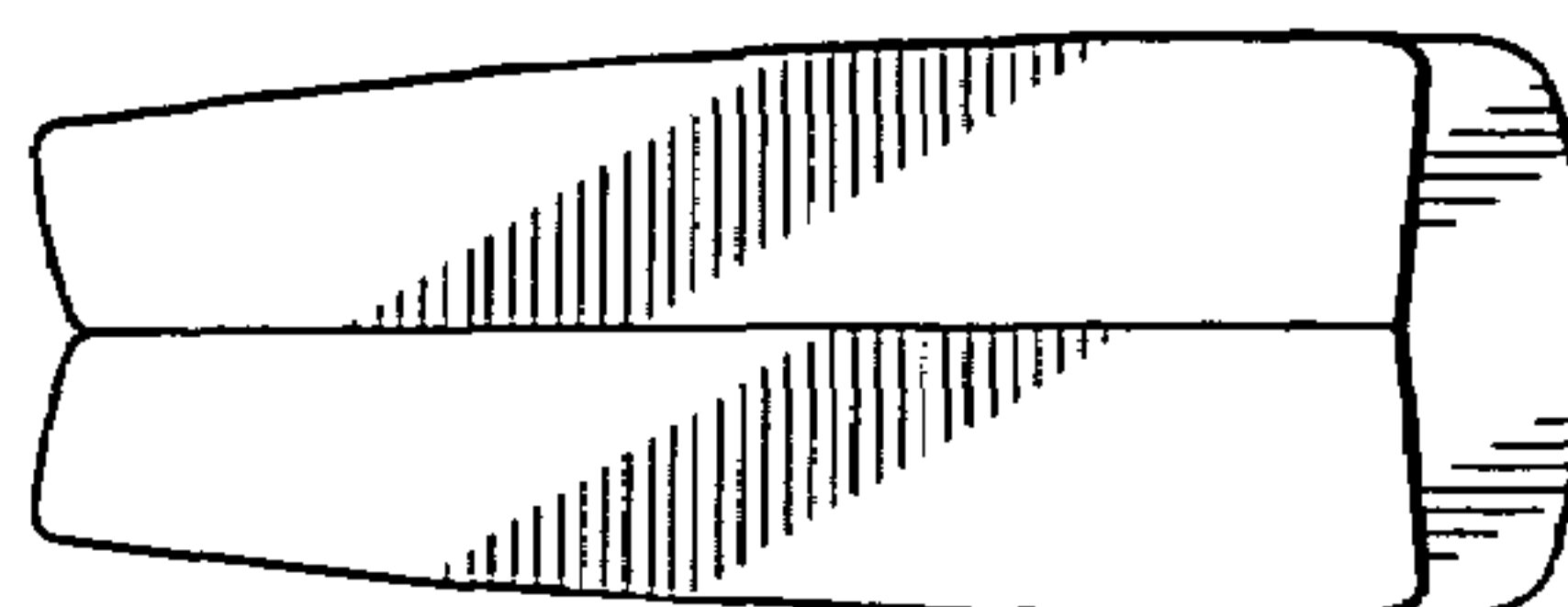


FIG. 5

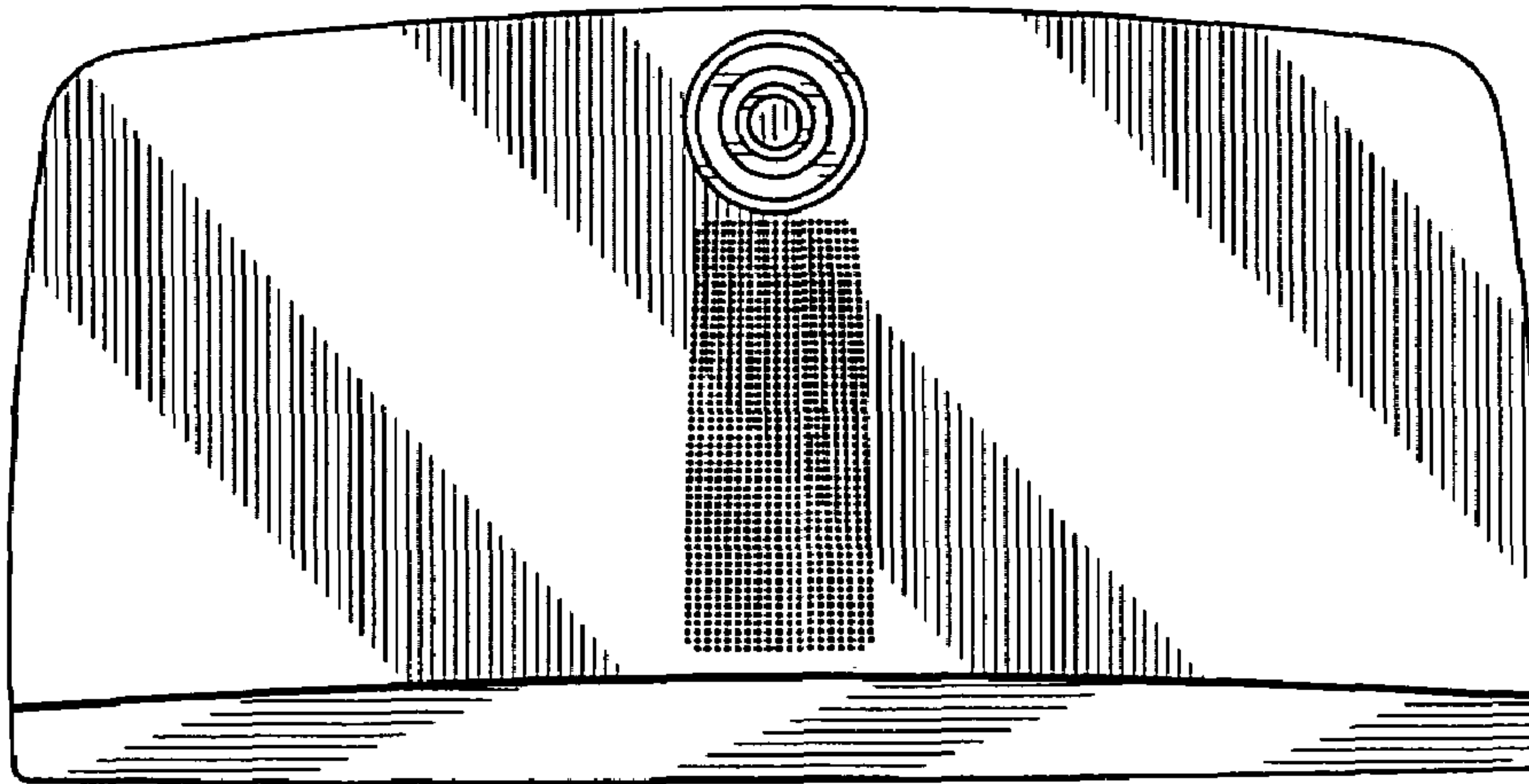


FIG. 6

