



US00D563341S

(12) **United States Design Patent** (10) **Patent No.:** **US D563,341 S**
Takami et al. (45) **Date of Patent:** **** Mar. 4, 2008**

(54) **TELEVISION RECEIVER**

(75) Inventors: **Mitsuru Takami**, Kadoma (JP);
Satoshi Tanigawa, Kadoma (JP);
Tomohiro Ohba, Kadoma (JP)

(73) Assignee: **Matsushita Electric Industrial Co., Ltd.**, Osaka (JP)

(**) Term: **14 Years**

(21) Appl. No.: **29/273,926**

(22) Filed: **Mar. 16, 2007**

(30) **Foreign Application Priority Data**

Sep. 21, 2006 (JP) 2006-025227

(51) **LOC (8) Cl.** **14-03**

(52) **U.S. Cl.** **D14/129**

(58) **Field of Classification Search** D14/125–134,
D14/239, 371, 136, 374–377; 312/7.2; 348/836,
348/838, 180, 184, 325, 739; 341/12; 248/917–924,
248/465; 345/104, 133, 156, 168, 87, 173;
720/605, 669, 600, 655; 369/99, 197; 455/344–347
See application file for complete search history.

(56) **References Cited**

U.S. PATENT DOCUMENTS

- D436,087 S 1/2001 Takami et al.
- D457,507 S * 5/2002 Lim et al. D14/133
- D477,292 S * 7/2003 Inoue et al. D14/129
- D486,804 S 2/2004 Takami et al.
- D488,141 S 4/2004 Takami et al.
- D488,785 S * 4/2004 Ohba et al. D14/126
- D505,807 S * 6/2005 Goto et al. D6/477
- D506,328 S 6/2005 Inoue
- D513,501 S 1/2006 Asanuma et al.
- D515,048 S 2/2006 Villalobos et al.
- D515,049 S * 2/2006 Asanuma et al. D14/129
- D515,848 S * 2/2006 Takami et al. D6/477
- D519,755 S * 5/2006 Luong D6/479

- D539,245 S 3/2007 Bischoff
- D540,760 S 4/2007 Macey et al.
- D543,164 S 5/2007 Yang et al.
- D543,166 S * 5/2007 Kuramashi et al. D14/128
- D545,778 S 7/2007 Isshiki
- D549,194 S * 8/2007 Fujii D14/126

OTHER PUBLICATIONS

- Takami et al., U.S. Design Application entitled “Television Receiver,” U.S. Appl. No. 29/273,872, filed Mar. 15, 2007.
- Takami et al., U.S. Design Application entitled “Television Receiver,” U.S. Appl. No. 29/273,873, filed Mar. 15, 2007.
- Takami et al., U.S. Design Application entitled “Television Receiver,” U.S. Appl. No. 29/273,924, filed Mar. 16, 2007.
- Takami et al., U.S. Design Application entitled “Television Receiver,” U.S. Appl. No. 29/273,925, filed Mar. 16, 2007.
- Takami et al., U.S. Design Application entitled “Television Receiver,” U.S. Appl. No. 29/273,927, filed Mar. 16, 2007.

* cited by examiner

Primary Examiner—Raphael Barkai

(74) *Attorney, Agent, or Firm*—Brinks Hofer Gilson & Lione

(57) **CLAIM**

We claim the ornamental design for a television receiver, as shown and described.

DESCRIPTION

- FIG. 1 is a top perspective view of a television receiver of the present invention;
- FIG. 2 is a front view thereof;
- FIG. 3 is a first side view thereof;
- FIG. 4 is a second side view thereof;
- FIG. 5 is a top view thereof;
- FIG. 6 is a rear view thereof; and,
- FIG. 7 is a bottom view thereof.

1 Claim, 7 Drawing Sheets

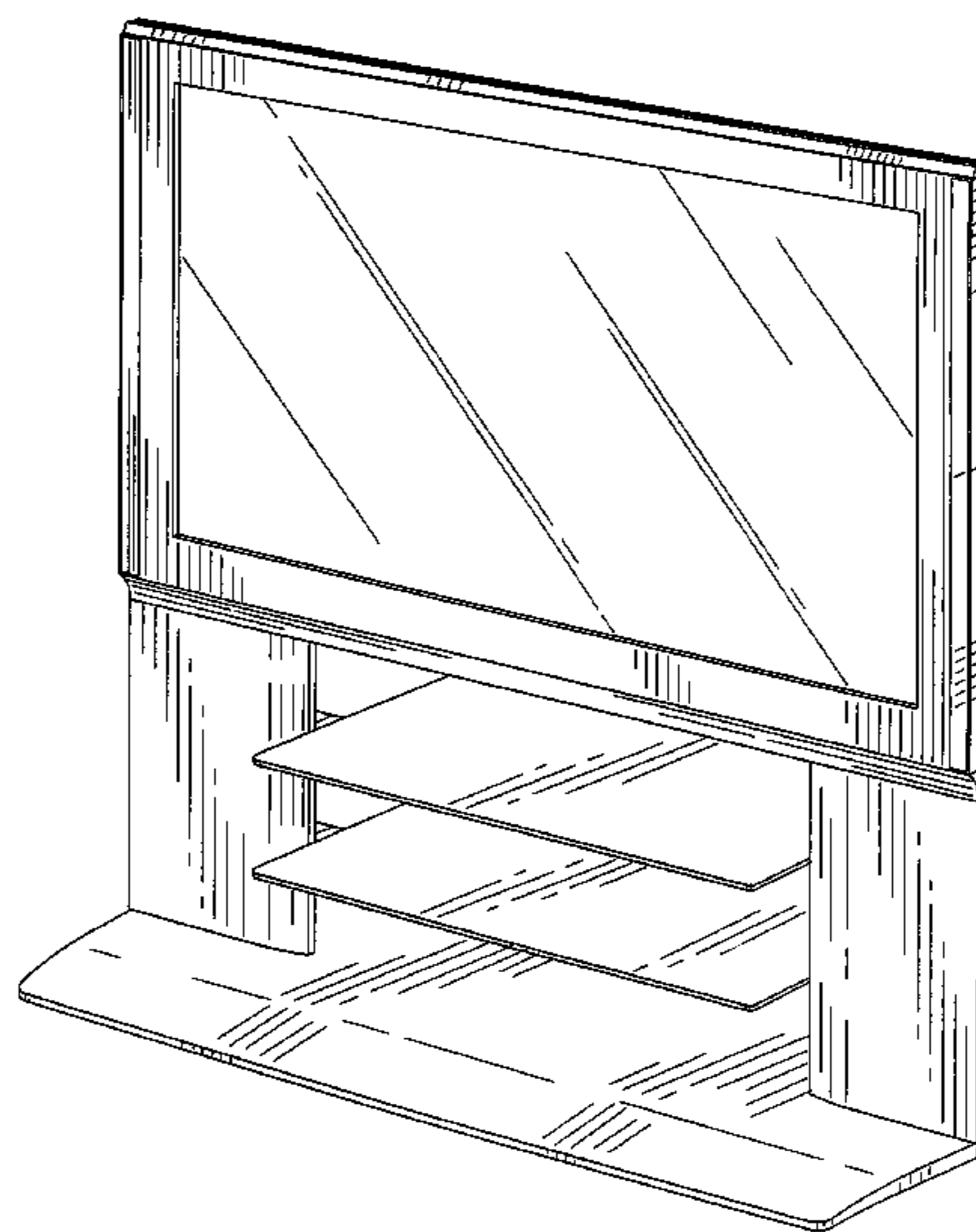


FIG. 1

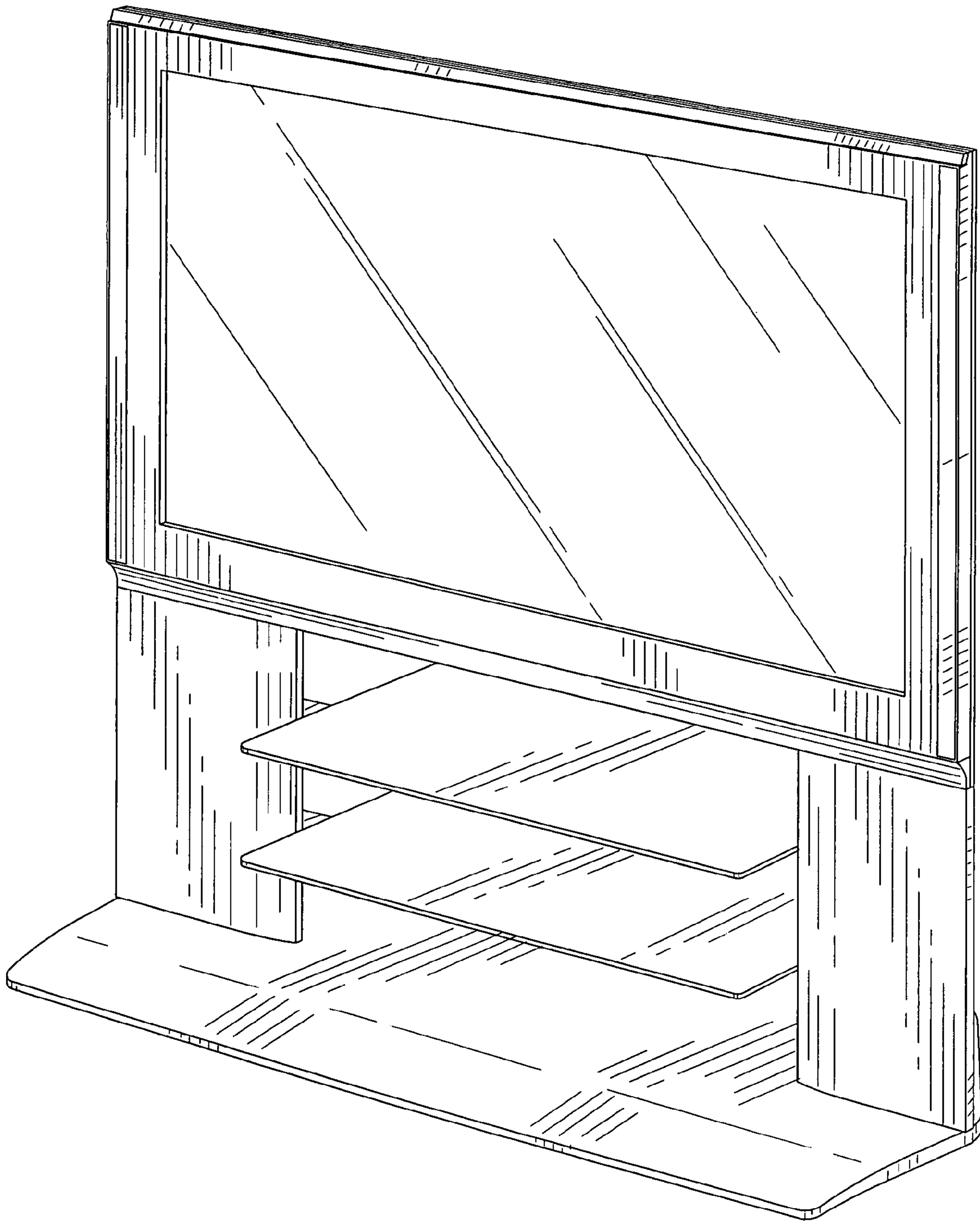


FIG.2

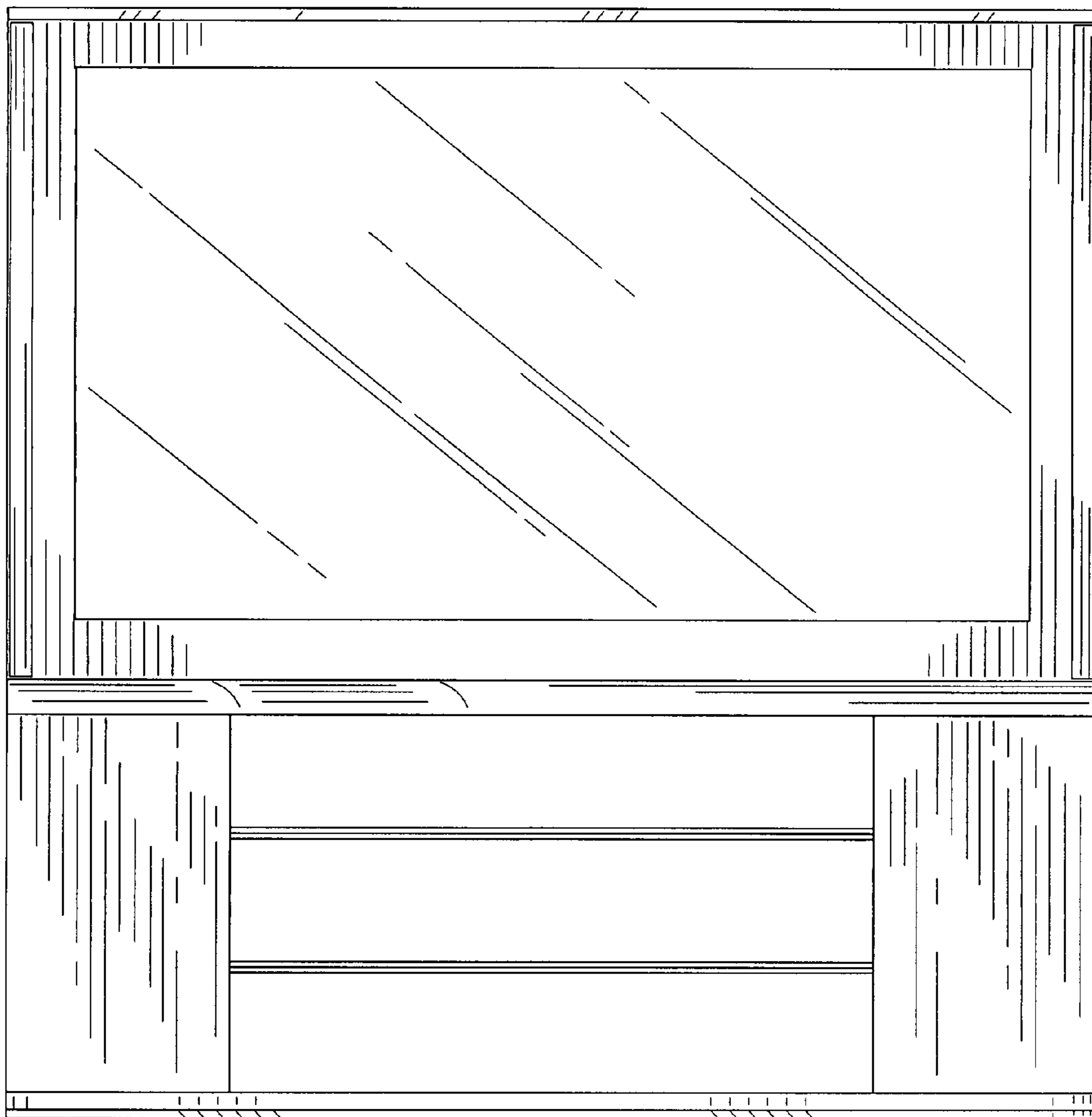


FIG.3

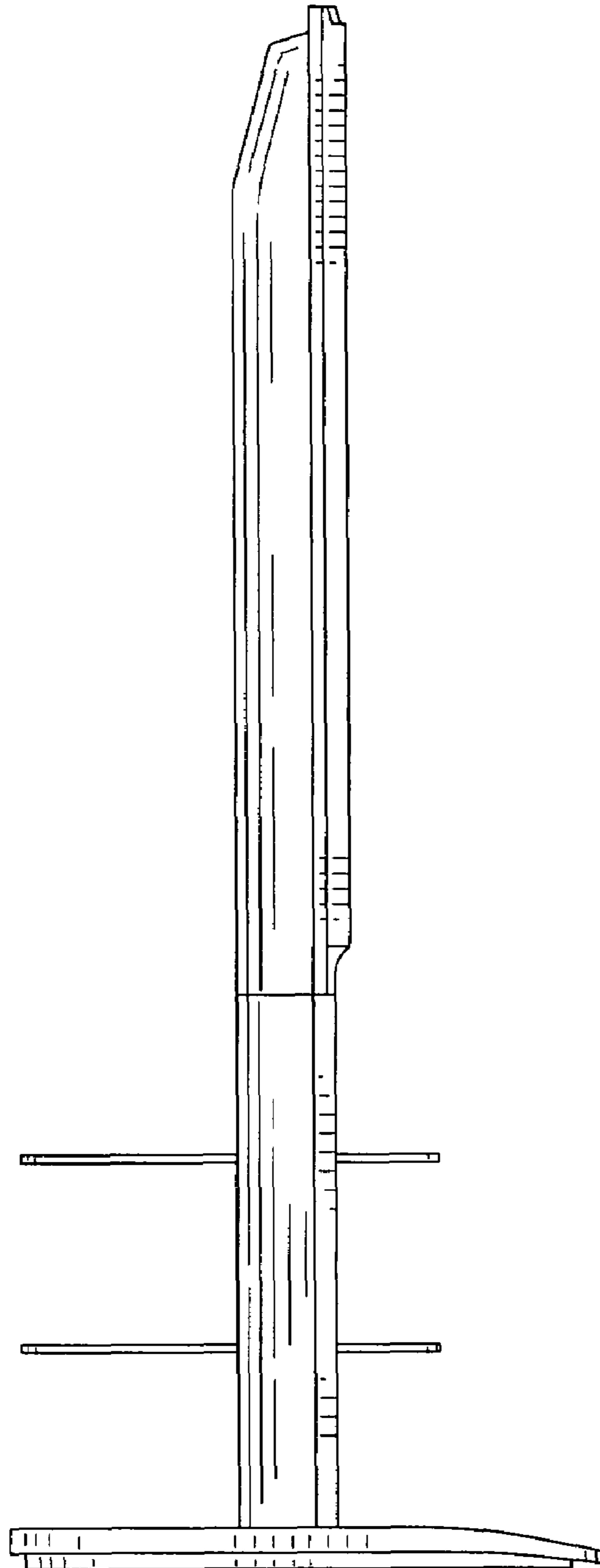


FIG.4

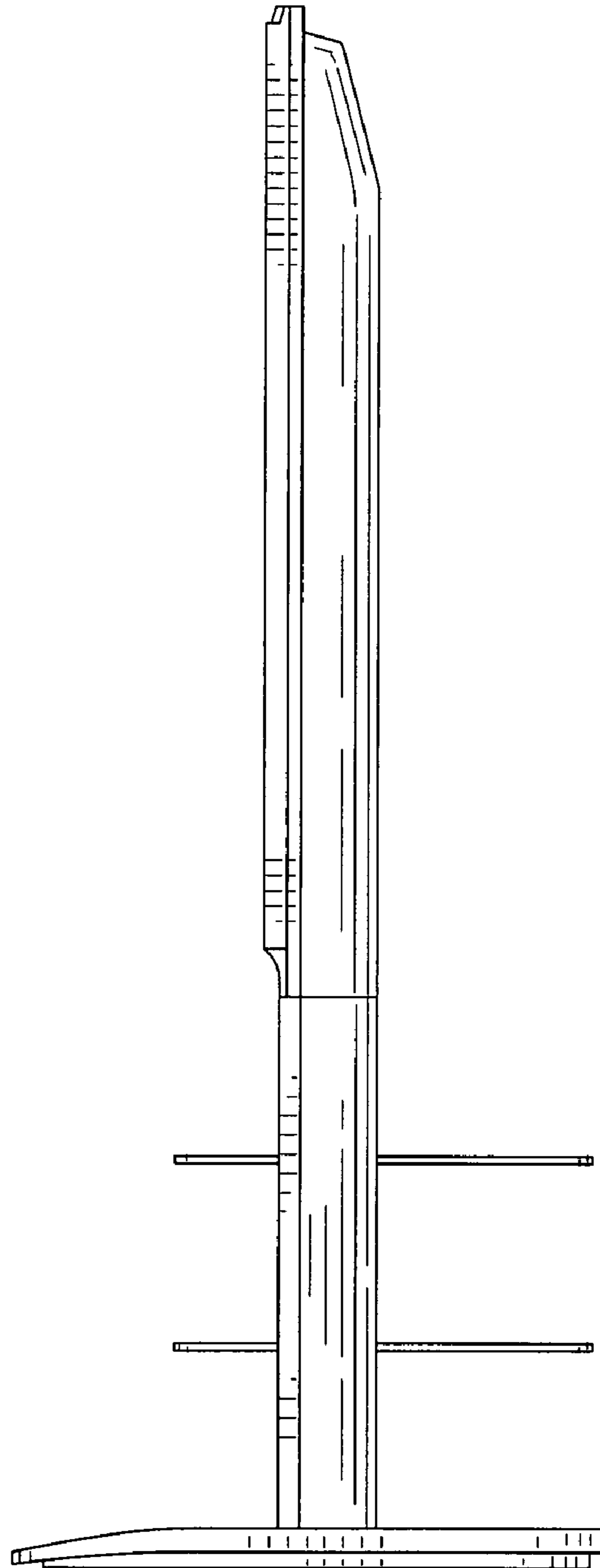


FIG.5

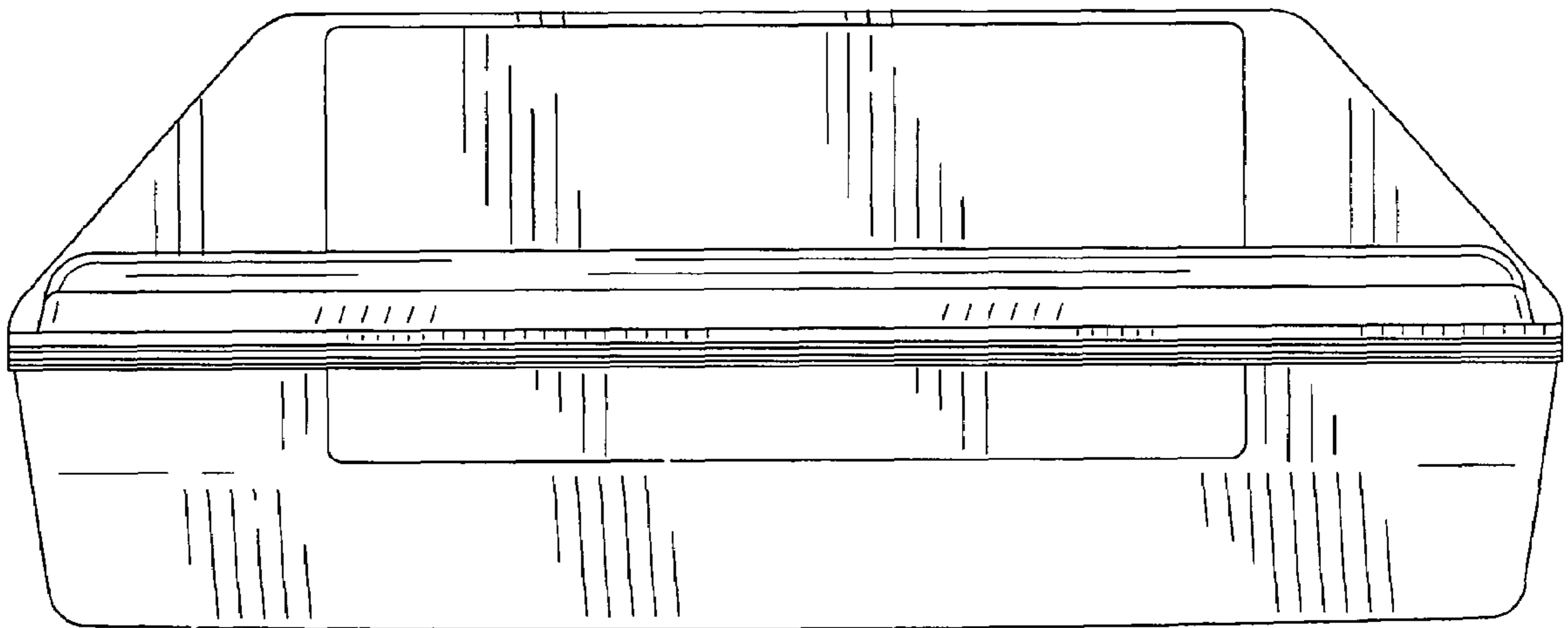


FIG.6

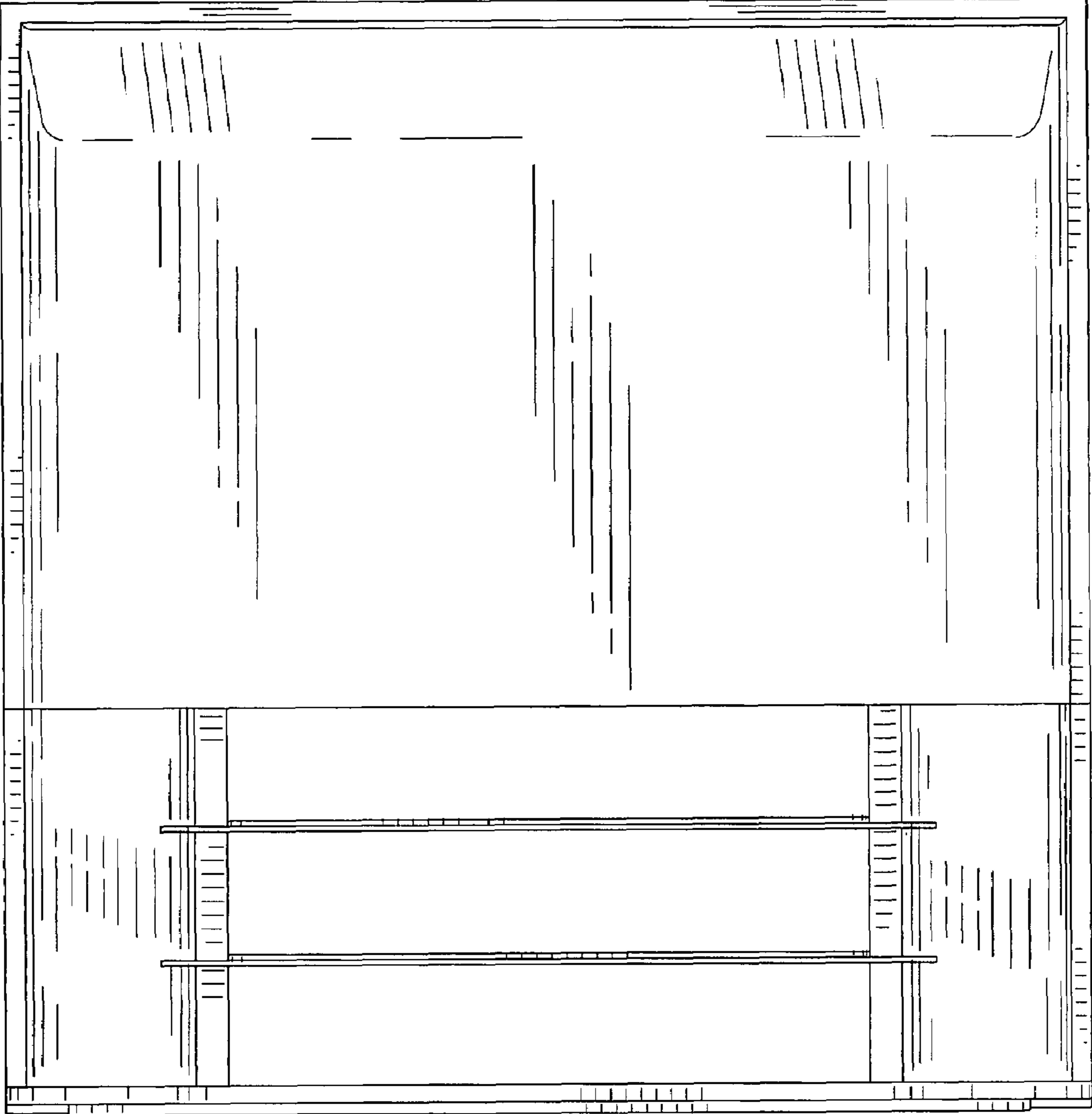


FIG. 7

