



US00D563340S

(12) **United States Design Patent**
Hoehn et al.

(10) **Patent No.:** **US D563,340 S**
(45) **Date of Patent:** **** Mar. 4, 2008**

(54) **TELEVISION SET**

(75) Inventors: **Holger Hoehn**, Taipei (TW); **Reinier Bloem**, Taipei (TW)

(73) Assignee: **Hannspree, Inc.**, Taipei (TW)

(**) Term: **14 Years**

(21) Appl. No.: **29/288,580**

(22) Filed: **Jun. 15, 2007**

(30) **Foreign Application Priority Data**

Mar. 30, 2007 (TW) 96301863

(51) **LOC (8) Cl.** **14-03**

(52) **U.S. Cl.** **D14/126**

(58) **Field of Classification Search** D14/125-134,
D14/239, 371, 136, 374-377; 312/7.2; 348/836,
348/838, 180, 184, 325, 739; 341/12; 248/917-924,
248/465; 345/104, 133, 156, 168, 87, 173;
720/605, 669, 600, 655; 369/99, 197; 455/344-347
See application file for complete search history.

(56) **References Cited**

U.S. PATENT DOCUMENTS

D469,093 S * 1/2003 Lin D14/375
D474,468 S * 5/2003 Zuege et al. D14/374
D478,904 S * 8/2003 Koo et al. D14/375

D521,470 S * 5/2006 Hoehn D14/129
D533,853 S * 12/2006 Rashid D14/126
D533,856 S * 12/2006 Rashid D14/126
D534,140 S * 12/2006 Rashid D14/126
D543,521 S * 5/2007 Chiu et al. D14/126
D545,281 S * 6/2007 Rashid D14/126

* cited by examiner

Primary Examiner—Raphael Barkai

(74) *Attorney, Agent, or Firm*—Hamre, Schumann, Mueller & Larson, P.C.

(57) **CLAIM**

The ornamental design for television set, as shown and described.

DESCRIPTION

FIG. 1 is a perspective view of television set showing my new design;

FIG. 2 is a front elevational view thereof;

FIG. 3 is a rear elevational view thereof;

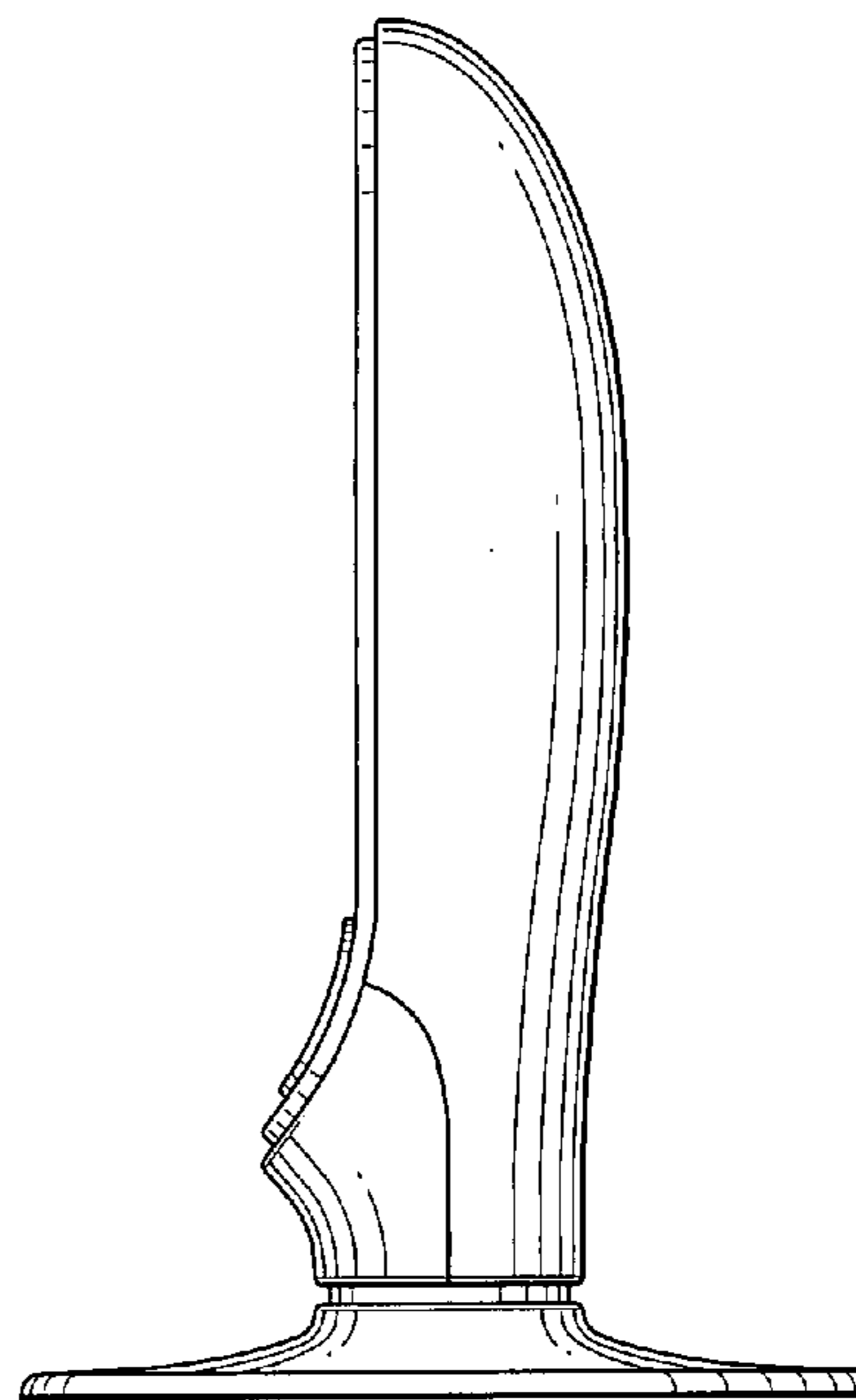
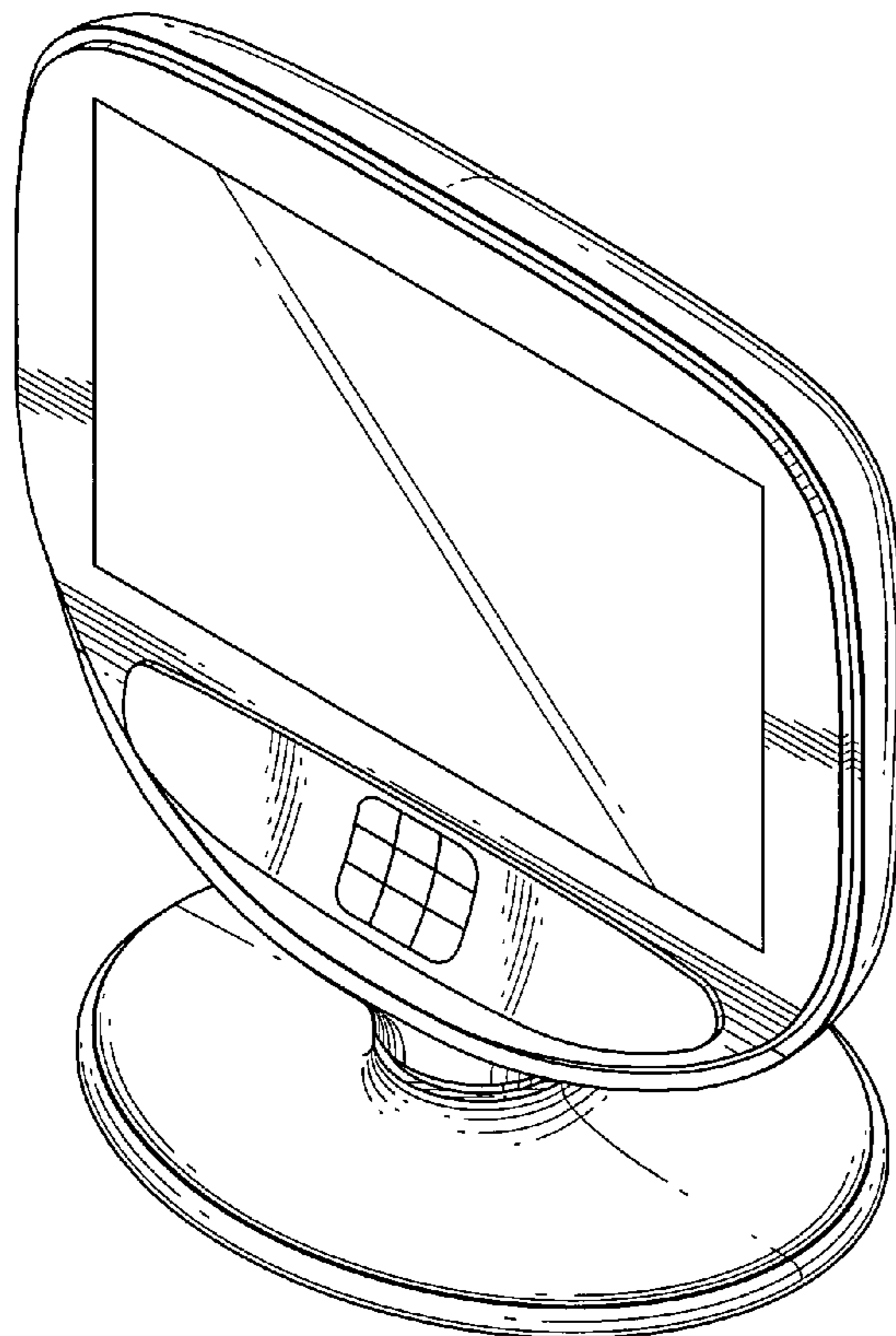
FIG. 4 is a left side elevational view thereof;

FIG. 5 is a right side elevational view thereof;

FIG. 6 is a top plan view thereof; and,

FIG. 7 is a bottom plan view thereof.

1 Claim, 6 Drawing Sheets



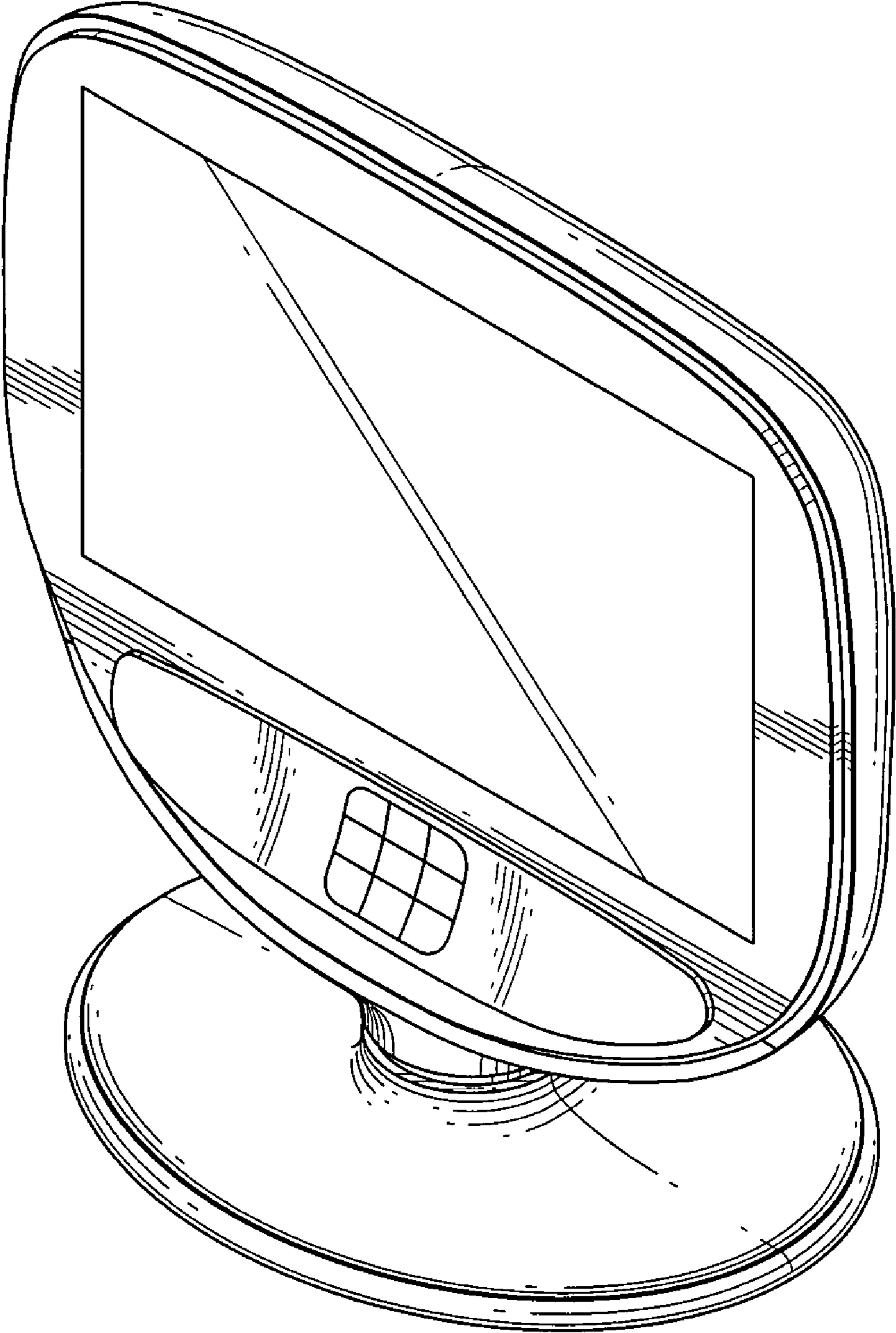


FIG. 1

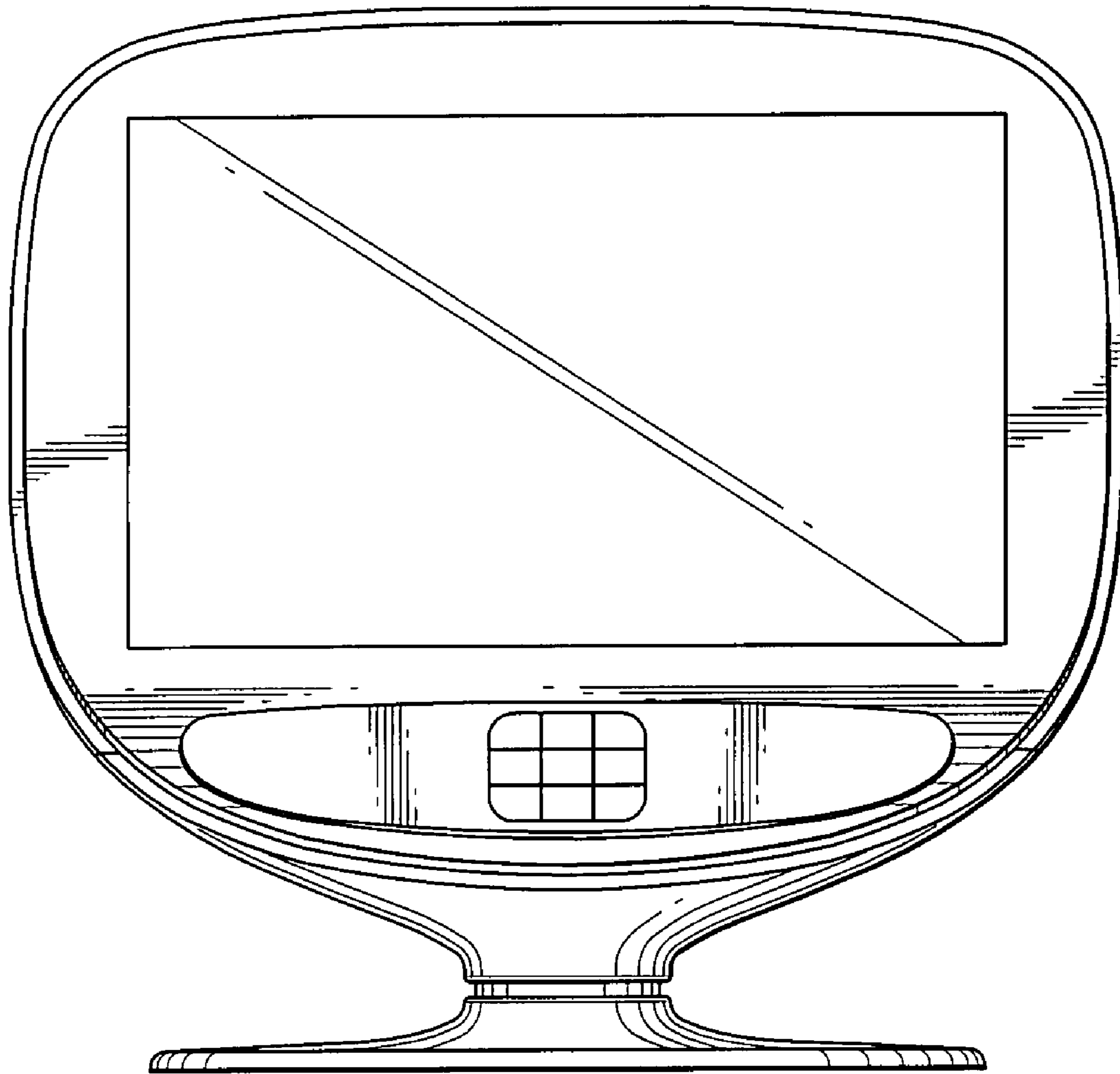


FIG. 2

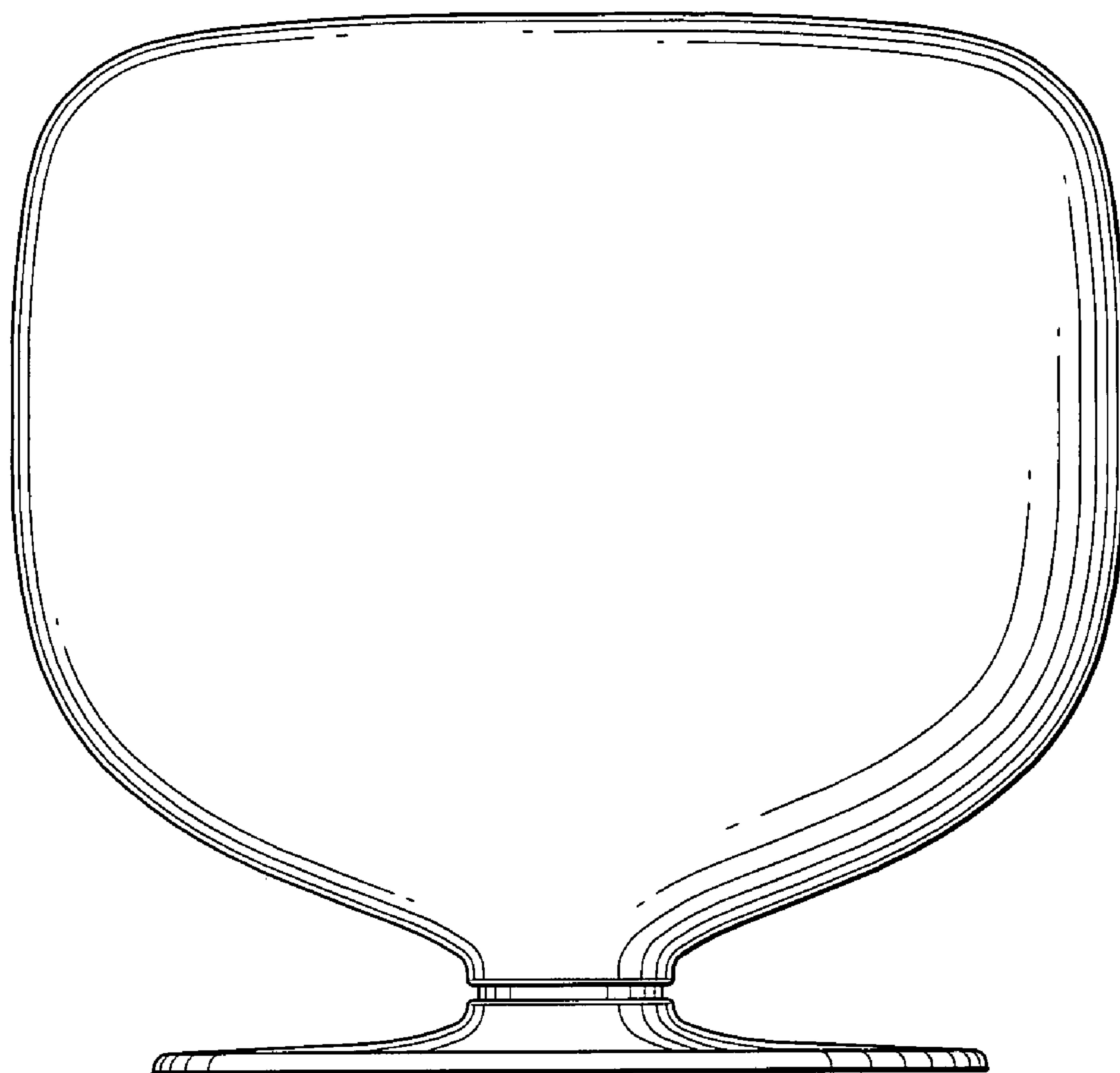


FIG. 3

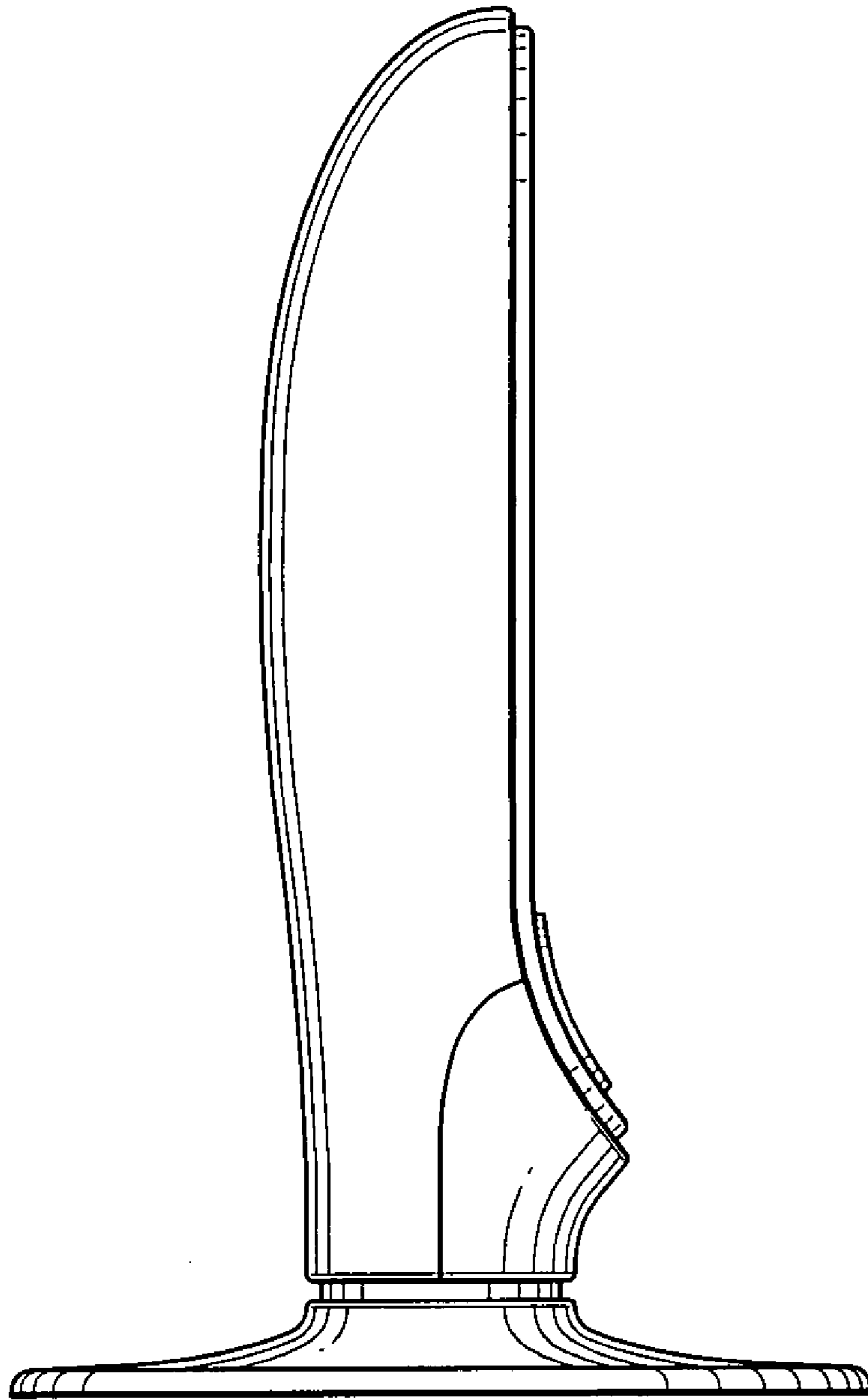


FIG. 4

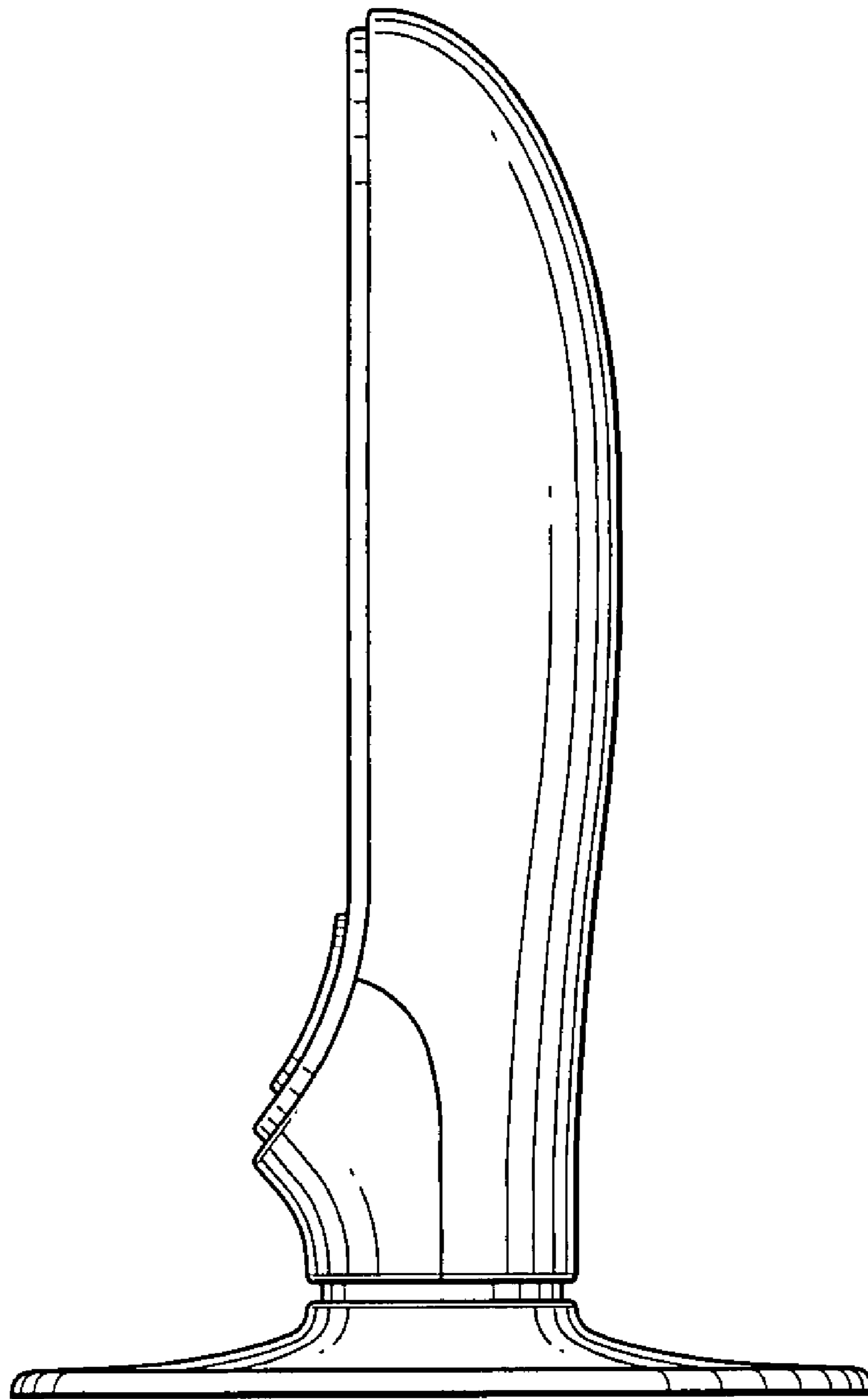


FIG. 5

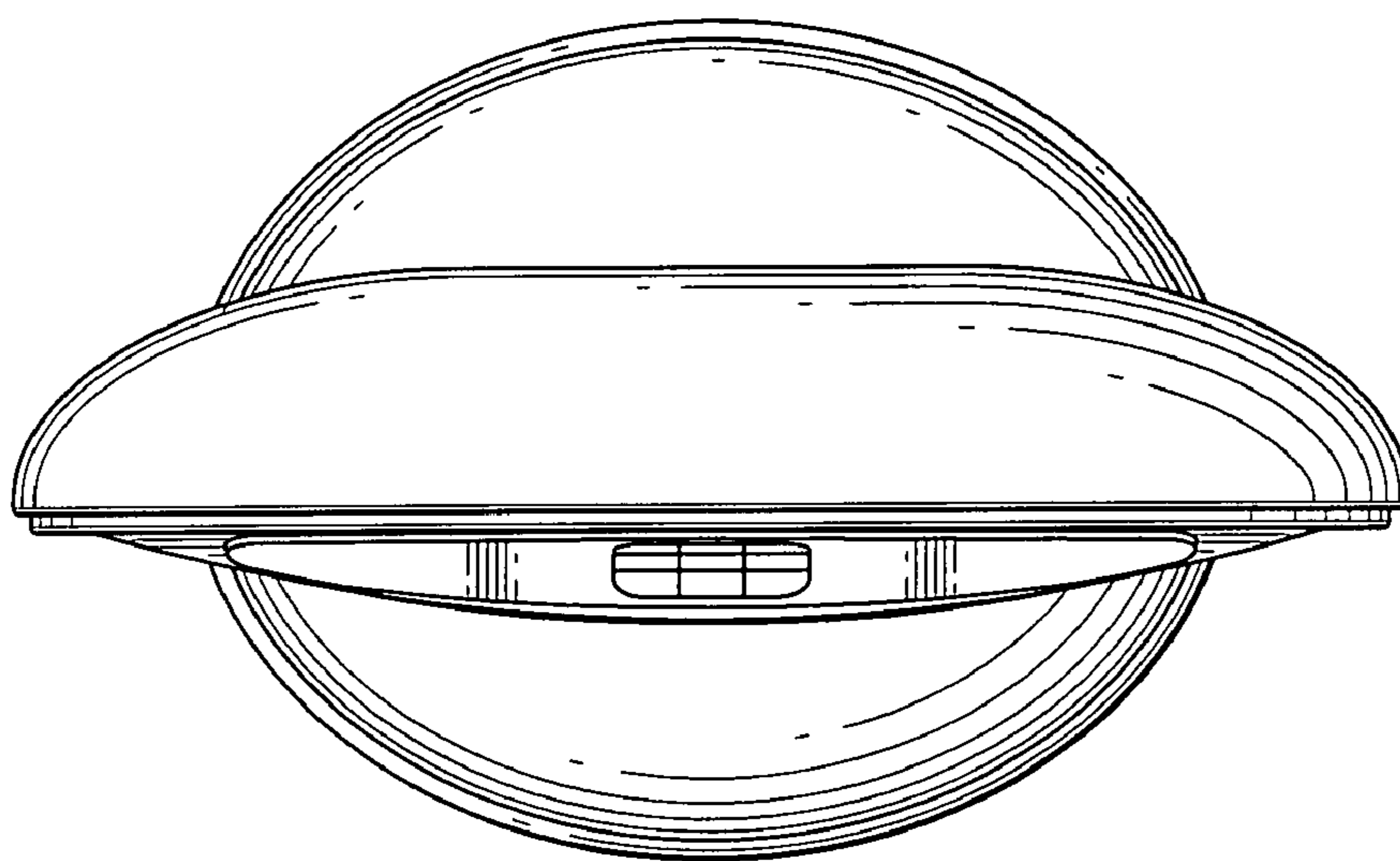


FIG. 6

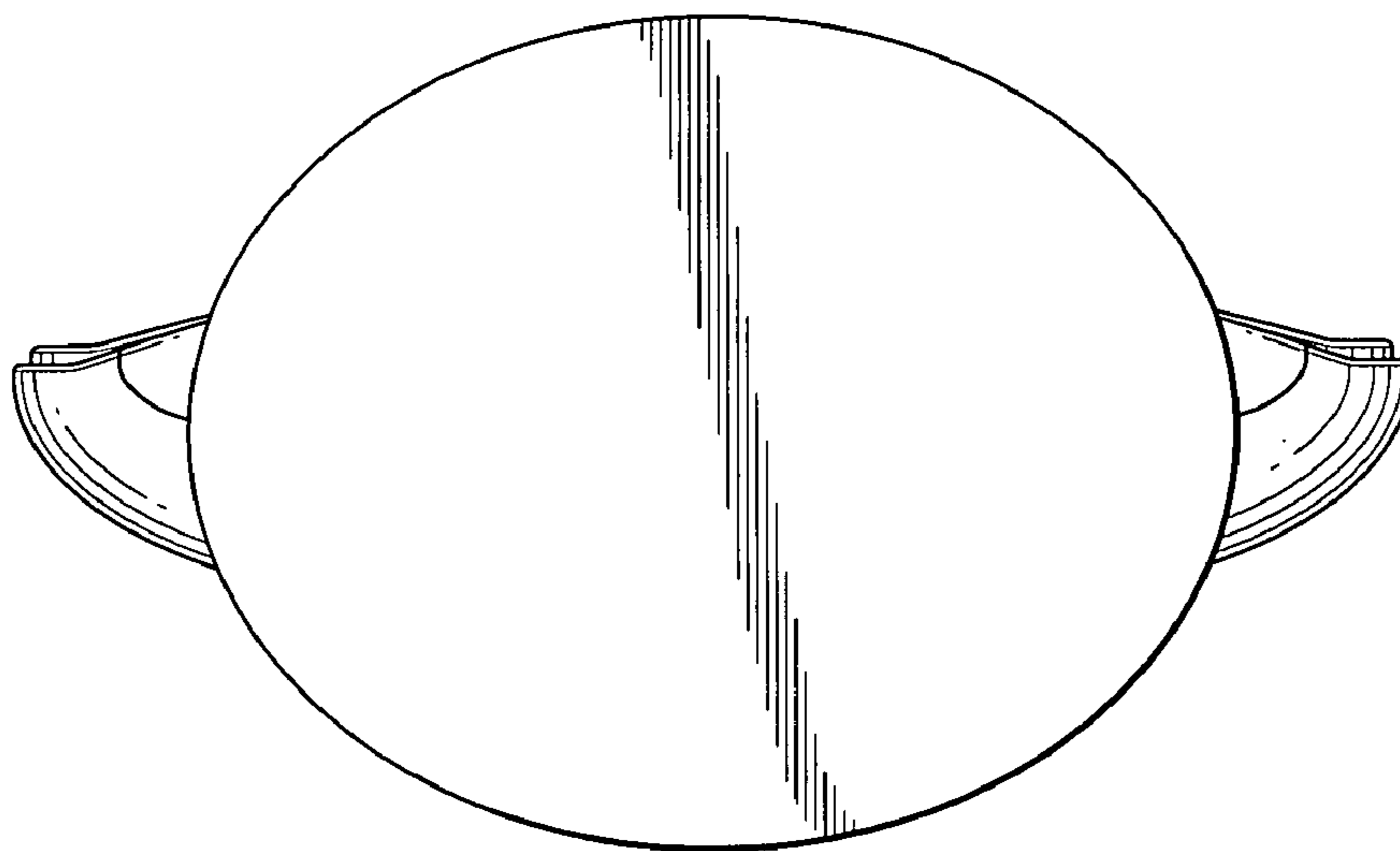


FIG. 7