



US00D563339S

(12) **United States Design Patent**
Tang

(10) **Patent No.:** **US D563,339 S**

(45) **Date of Patent:** **** Mar. 4, 2008**

(54) **TELEVISION SET**

(75) Inventor: **Huei-Jiun Tang**, Miaoli County (TW)

(73) Assignee: **Hannspree, Inc.**, Taipei (TW)

(**) Term: **14 Years**

(21) Appl. No.: **29/288,579**

(22) Filed: **Jun. 15, 2007**

(30) **Foreign Application Priority Data**

Apr. 9, 2007 (TW) 96301926

(51) **LOC (8) Cl.** **14-03**

(52) **U.S. Cl.** **D14/126**

(58) **Field of Classification Search** D14/125-134,
D14/239, 371, 136, 374-377; 312/7.2; 348/836,
348/838, 180, 184, 325, 739; 341/12; 248/917-924,
248/465; 345/104, 133, 156, 168, 87, 173;
720/605, 669, 600, 655; 369/99, 197; 455/344-347
See application file for complete search history.

(56) **References Cited**

U.S. PATENT DOCUMENTS

D359,957 S * 7/1995 Suzuki D14/134
D376,822 S * 12/1996 Osterhout D21/329
D398,919 S * 9/1998 Yen D14/125
D405,781 S * 2/1999 Renk D14/126
D415,755 S * 10/1999 Maruyama D14/134
D431,565 S * 10/2000 Lin et al. D14/375

D461,786 S * 8/2002 Maruyama D14/126
D504,875 S * 5/2005 Yokota D14/125
D522,980 S * 6/2006 Chu D14/126
D534,509 S * 1/2007 Rashid D14/126
D535,631 S * 1/2007 Millora D14/126
D545,280 S * 6/2007 Imboden D14/126
D545,789 S * 7/2007 Dayan D14/129

* cited by examiner

Primary Examiner—Raphael Barkai

(74) *Attorney, Agent, or Firm*—Hamre, Schumann, Mueller & Larson, P.C.

(57) **CLAIM**

The ornamental design for television set, as shown and described.

DESCRIPTION

FIG. 1 is a perspective view of television set showing my new design;

FIG. 2 is a front elevational view thereof;

FIG. 3 is a rear elevational view thereof;

FIG. 4 is a left side elevational view thereof;

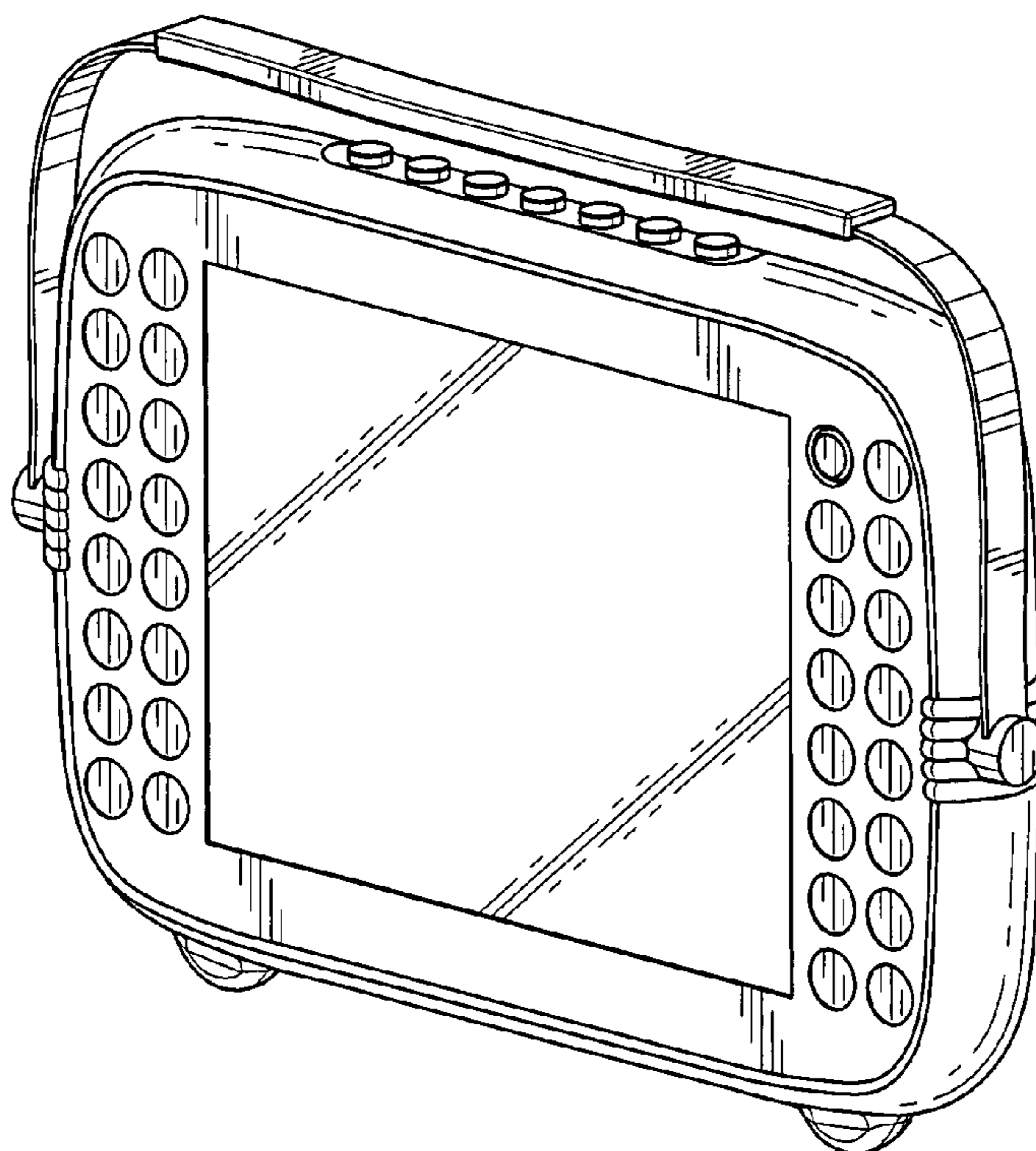
FIG. 5 is a right side elevational view thereof;

FIG. 6 is a top plan view thereof;

FIG. 7 is a bottom plan view thereof; and,

FIG. 8 is another elevational view in use.

1 Claim, 4 Drawing Sheets



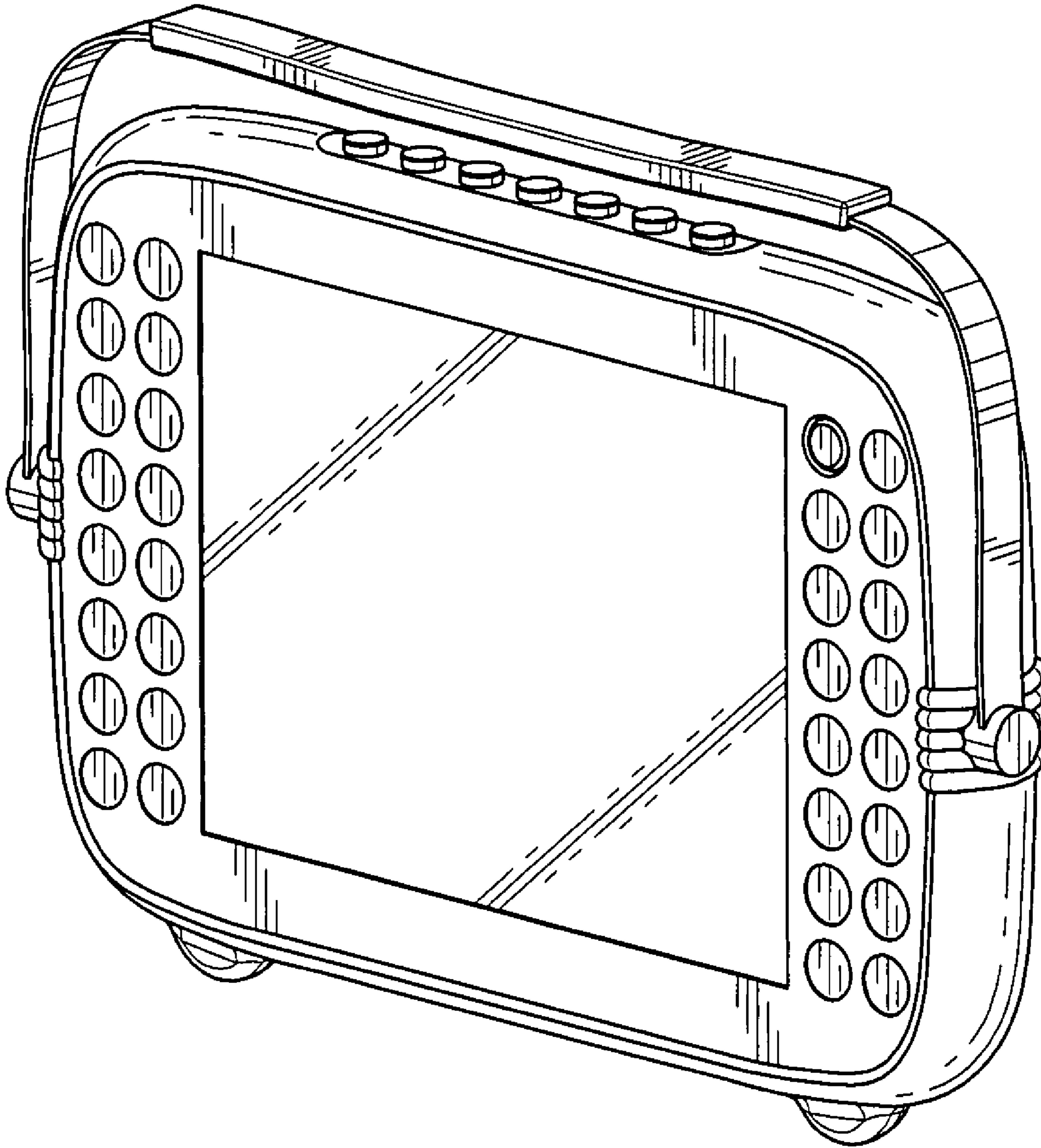


FIG. 1

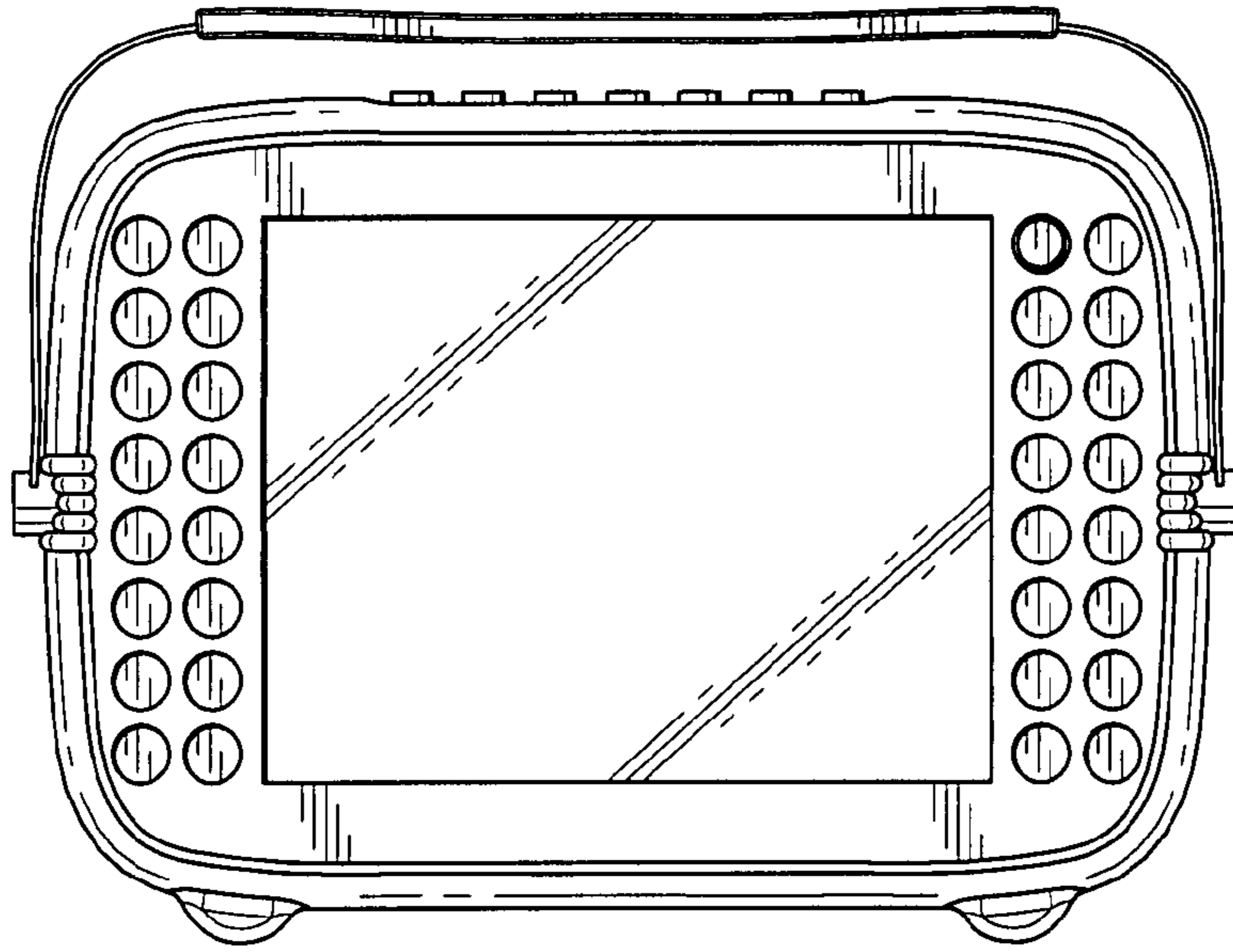


FIG. 2

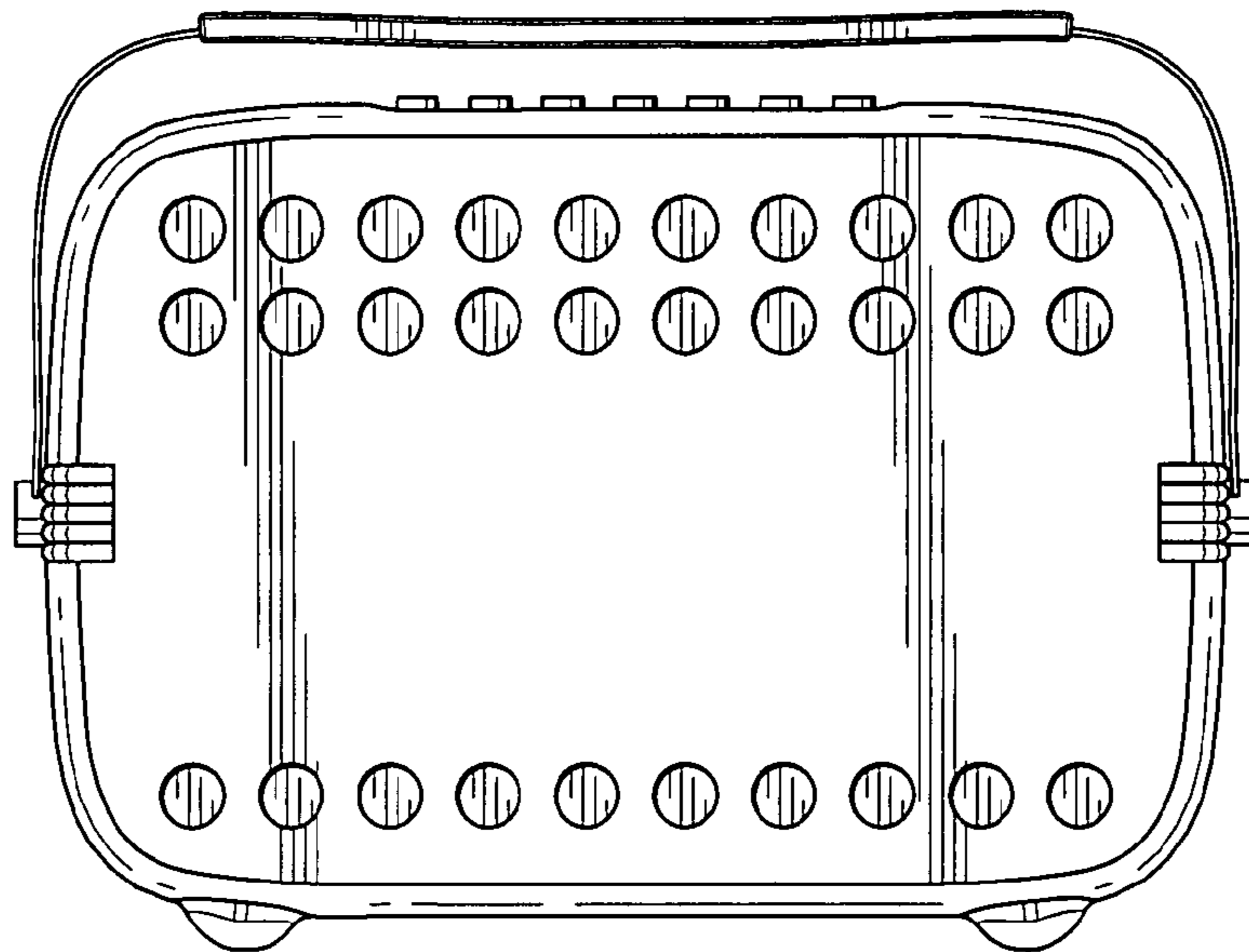


FIG. 3

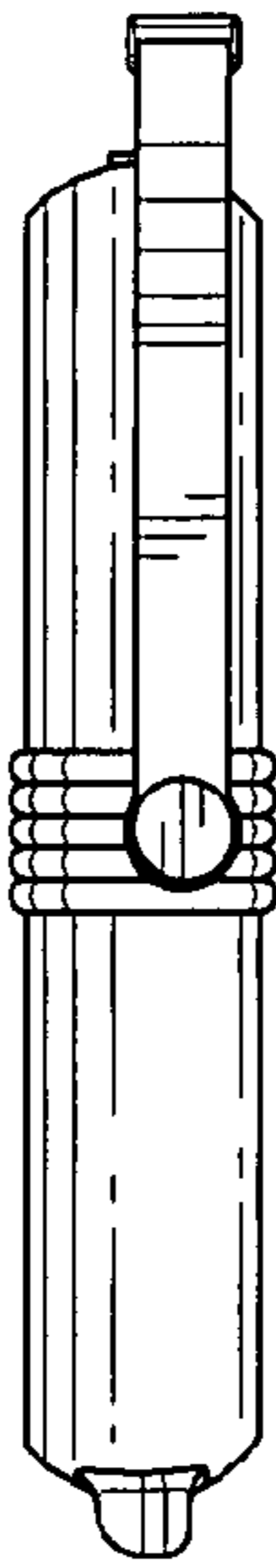


FIG. 4

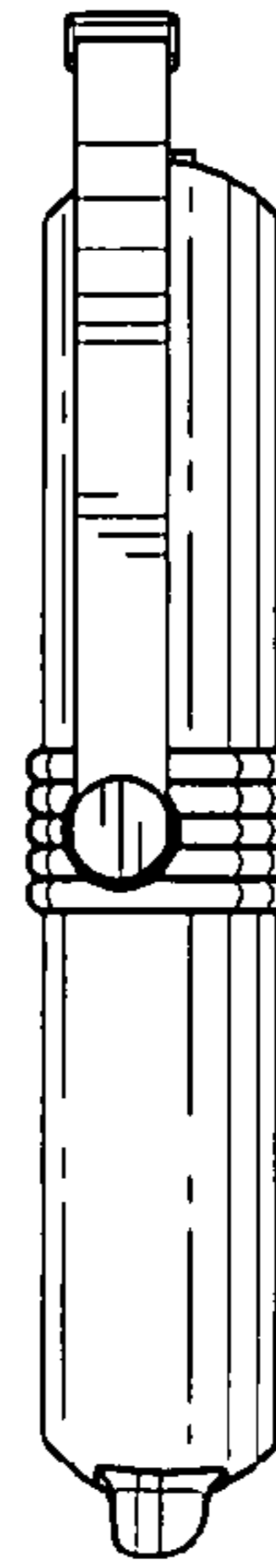


FIG. 5

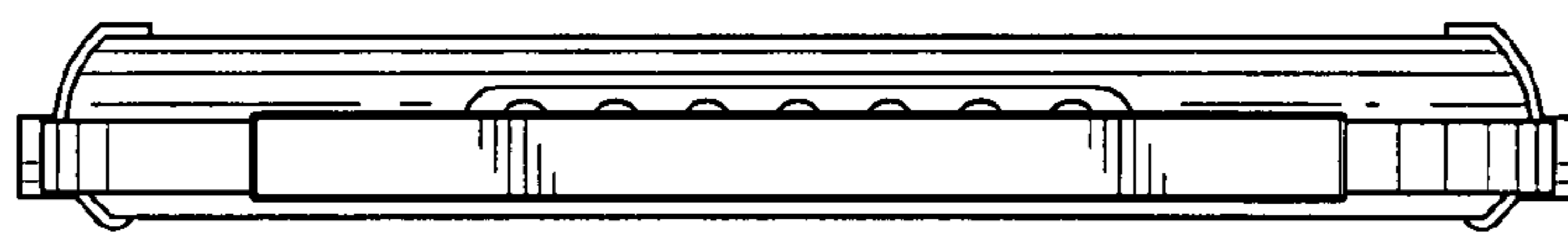


FIG. 6

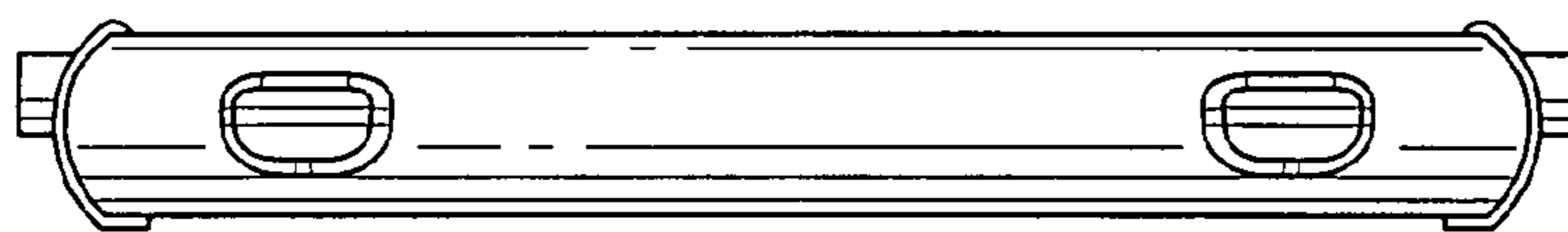


FIG. 7

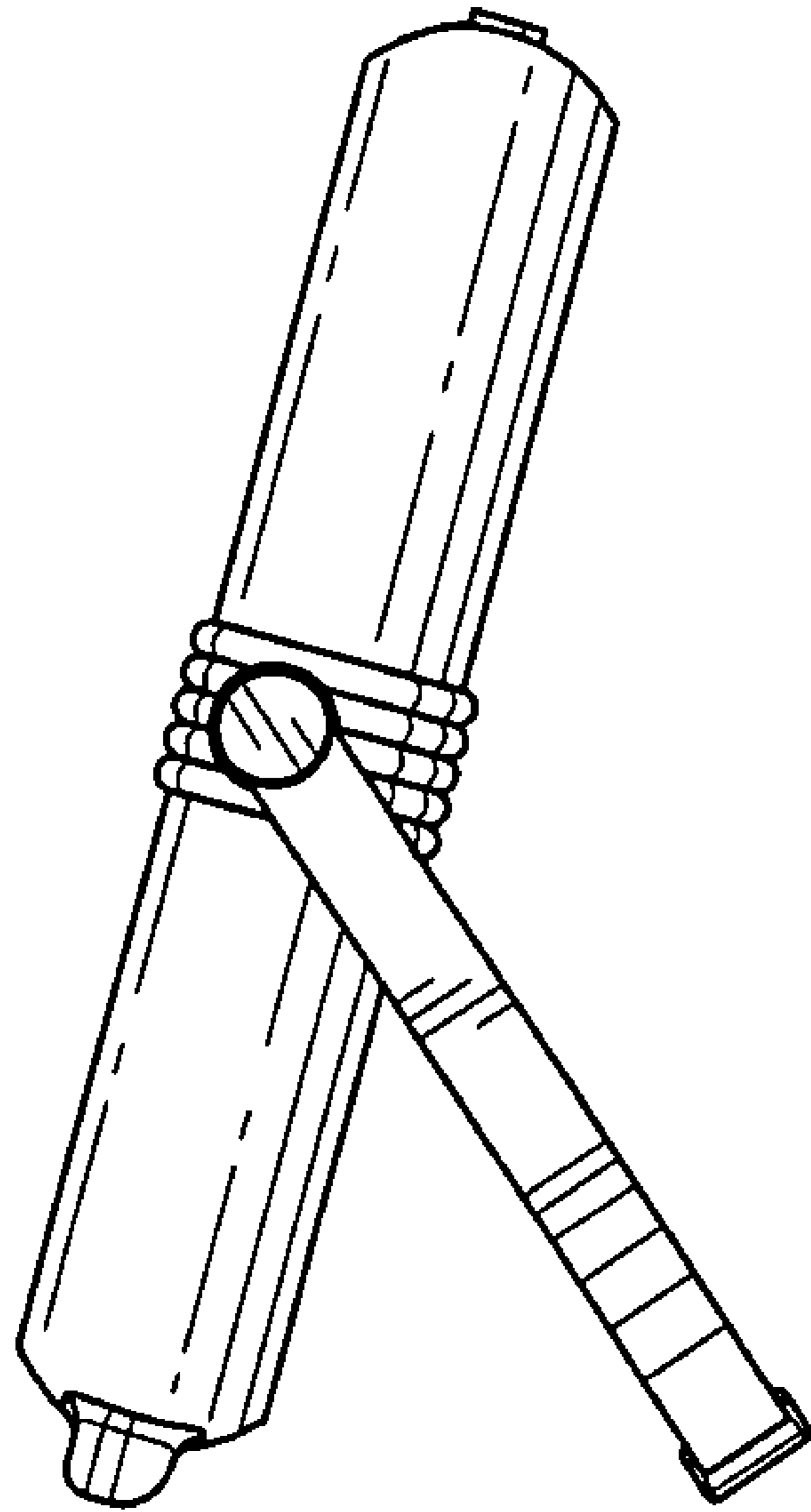


FIG. 8