



US00D563337S

(12) **United States Design Patent**  
**Bloem**

(10) **Patent No.:** **US D563,337 S**

(45) **Date of Patent:** **\*\* Mar. 4, 2008**

(54) **TELEVISION SET**

(75) Inventor: **Reinier Bloem**, Taipei (TW)

(73) Assignee: **Hannspree, Inc.**, Taipei (TW)

(\*\*) Term: **14 Years**

(21) Appl. No.: **29/274,921**

(22) Filed: **Jun. 7, 2007**

(30) **Foreign Application Priority Data**

Mar. 30, 2007 (TW) ..... 96301864

(51) **LOC (8) Cl.** ..... **14-03**

(52) **U.S. Cl.** ..... **D14/126**

(58) **Field of Classification Search** ..... D14/125-134,  
D14/239, 371, 136, 374-377; 312/7.2; 348/836,  
348/838, 180, 184, 325, 739; 341/12; 248/917-924,  
248/465; 345/104, 133, 156, 168, 87, 173;  
720/605, 669, 600, 655; 369/99, 197; 455/344-347  
See application file for complete search history.

(56) **References Cited**

**U.S. PATENT DOCUMENTS**

D412,891 S \* 8/1999 Sumii ..... D14/374  
D489,342 S \* 5/2004 Campbell et al. .... D14/130  
D522,476 S \* 6/2006 Hoehn et al. .... D14/129

D529,883 S \* 10/2006 Hoehn et al. .... D14/126  
D532,392 S \* 11/2006 Hoehn et al. .... D14/126  
D543,960 S \* 6/2007 Bloem ..... D14/126  
D551,188 S \* 9/2007 Chu ..... D14/126  
D551,190 S \* 9/2007 Tang ..... D14/126

\* cited by examiner

*Primary Examiner*—Raphael Barkai

(74) *Attorney, Agent, or Firm*—Morgan, Lewis & Bockius  
LLP

(57) **CLAIM**

The ornamental design for television set, as shown and described.

**DESCRIPTION**

FIG. 1 is a perspective view of television set showing my new design;

FIG. 2 is a front elevational view thereof;

FIG. 3 is a rear elevational view thereof;

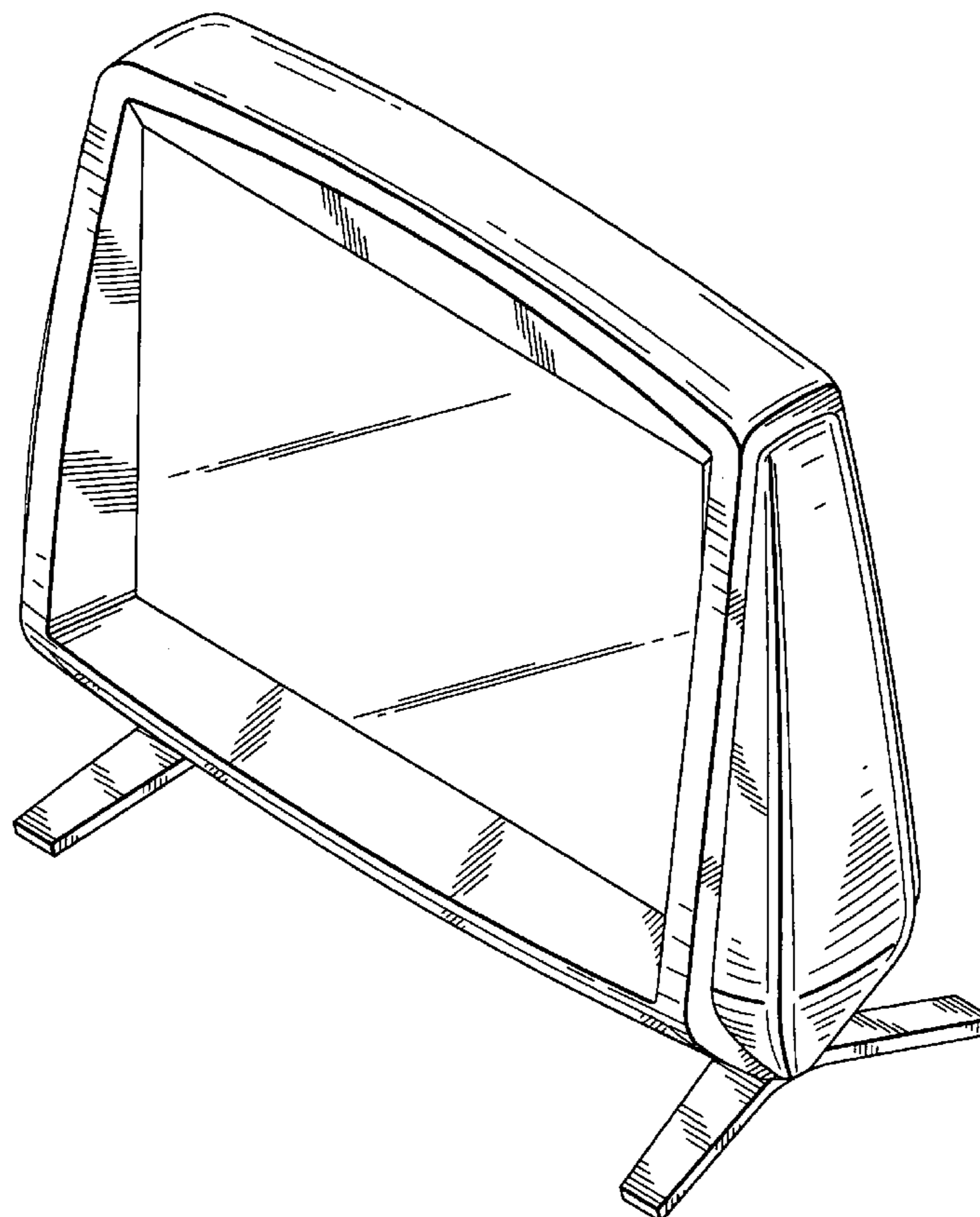
FIG. 4 is a left side elevational view thereof;

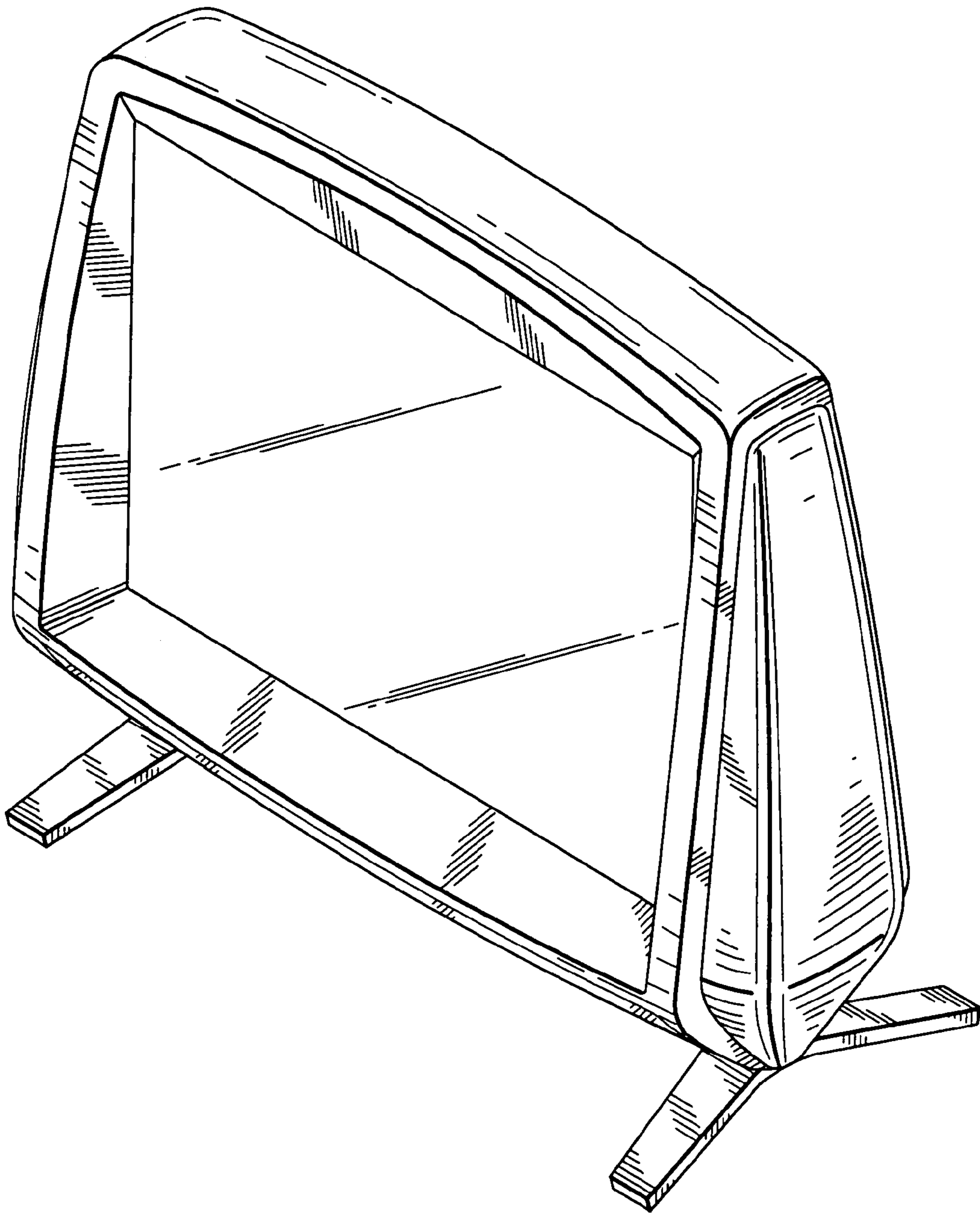
FIG. 5 is a right side elevational view thereof;

FIG. 6 is a top plan view thereof; and,

FIG. 7 is a bottom plan view thereof.

**1 Claim, 6 Drawing Sheets**





F I G . 1

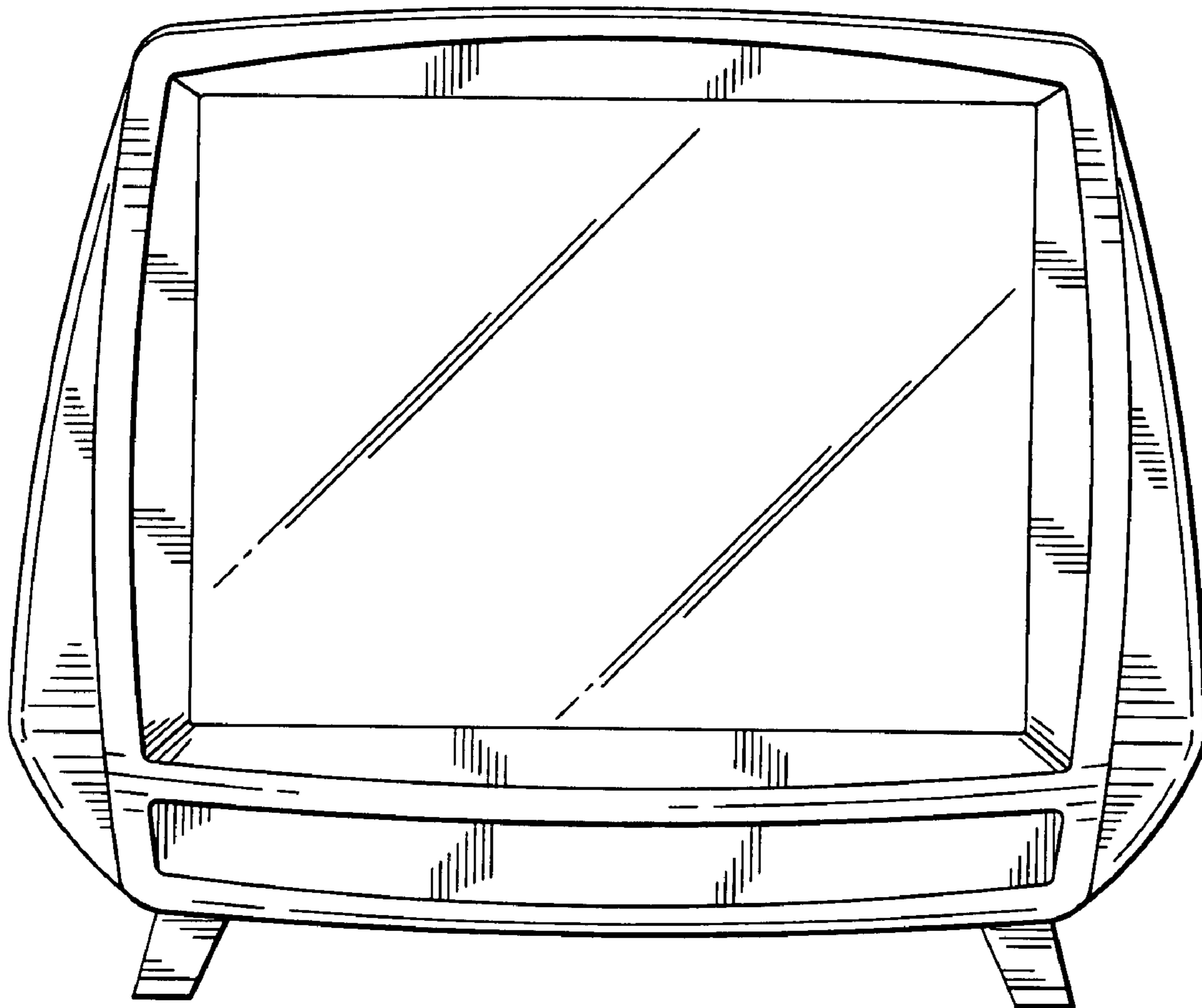


FIG. 2

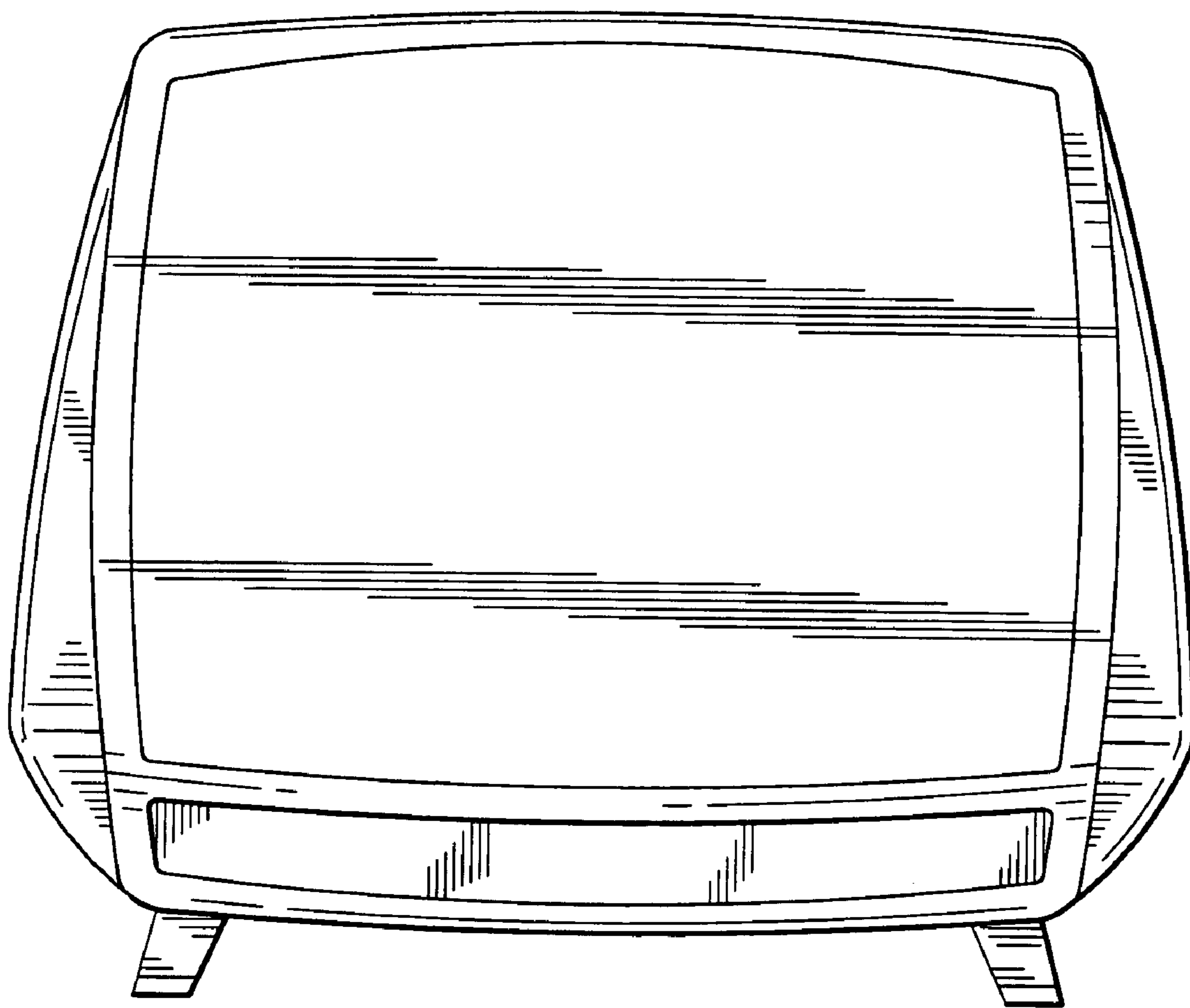


FIG. 3

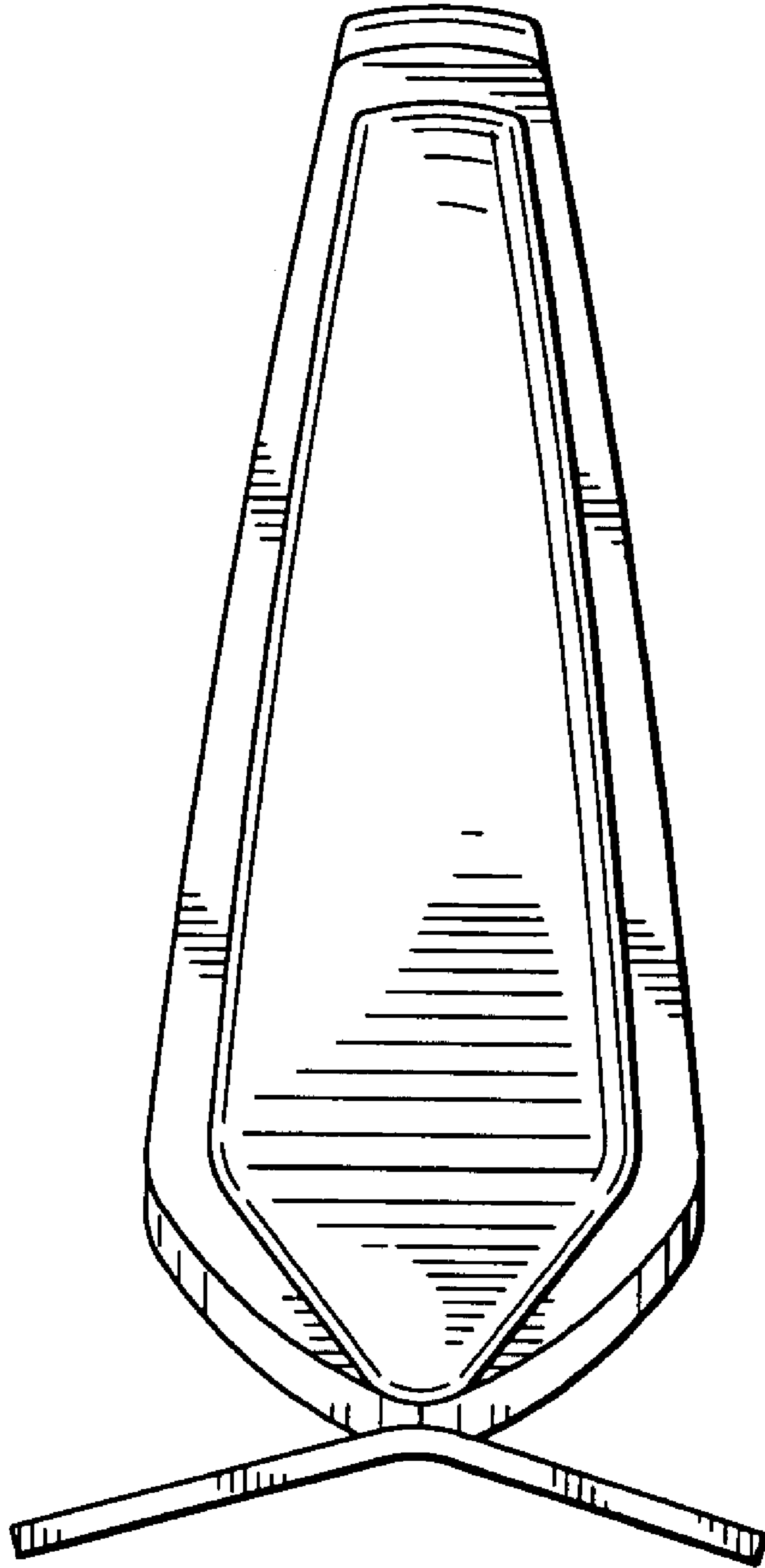


FIG. 4

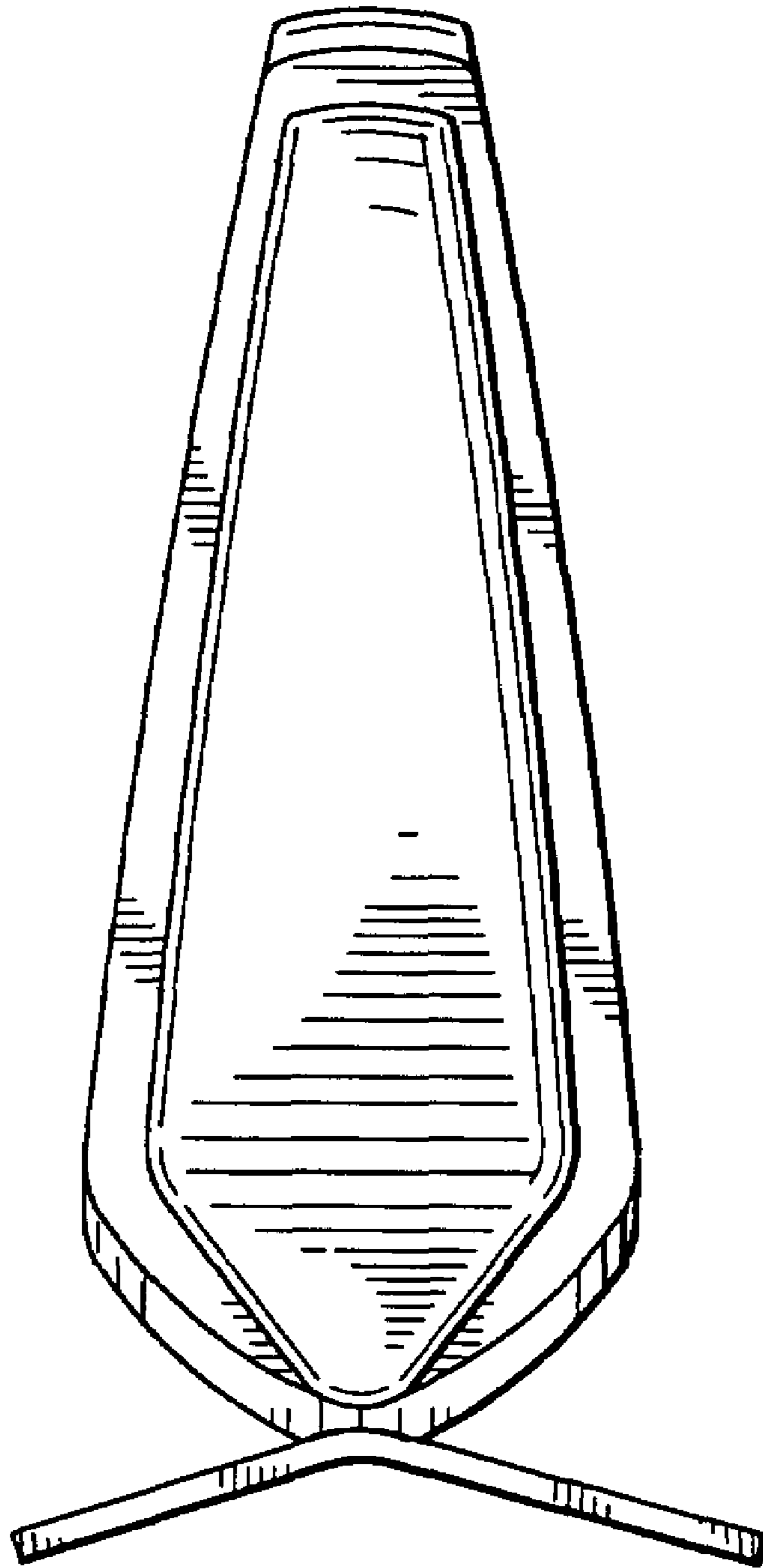


FIG. 5

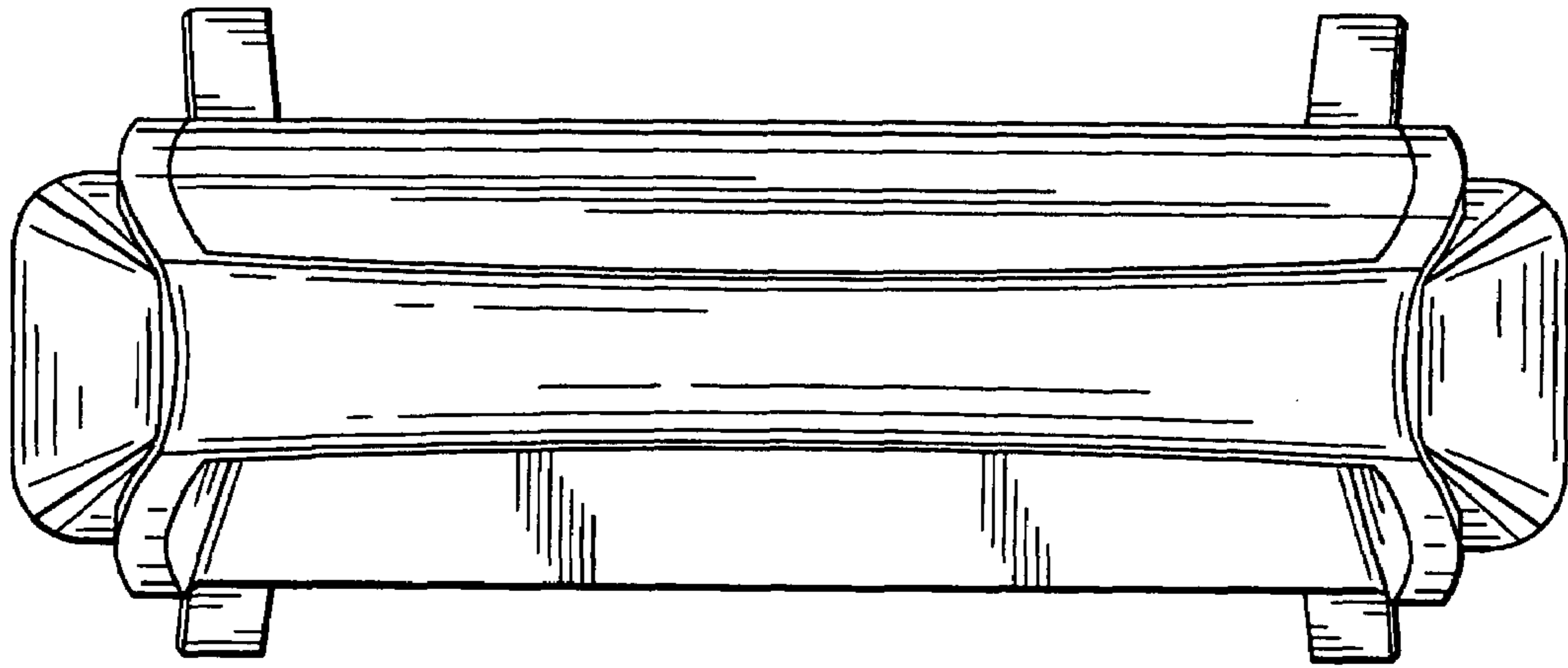


FIG. 6

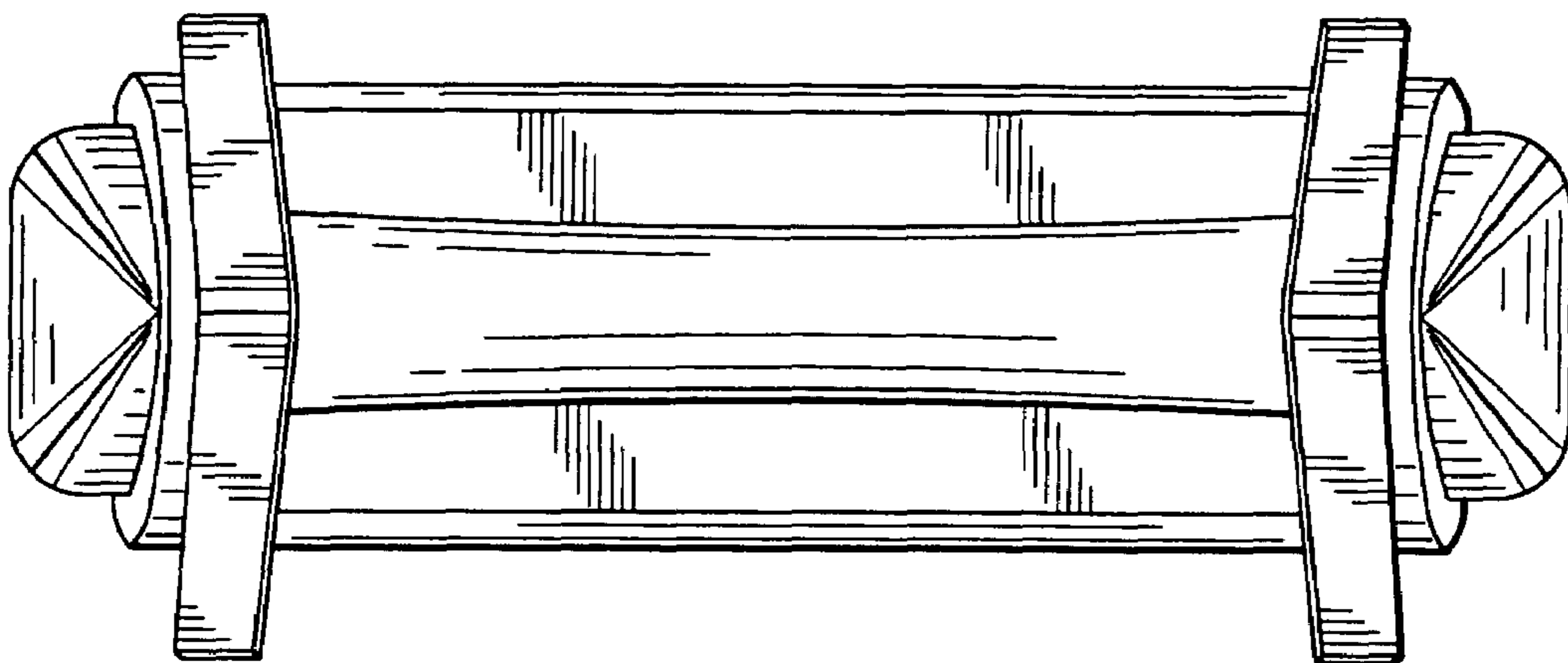


FIG. 7