



US00D563335S

(12) **United States Design Patent** (10) **Patent No.:** **US D563,335 S**
Murata et al. (45) **Date of Patent:** **** Mar. 4, 2008**

(54) **TELEVISION RECEIVER**

(75) Inventors: **Chiaki Murata**, Toyonaka (JP);
Mitsuru Takami, Kadoma (JP);
Yukihiro Tsuda, Kadoma (JP)

(73) Assignee: **Matsushita Electric Industrial Co., Ltd.**, Osaka (JP)

(**) Term: **14 Years**

(21) Appl. No.: **29/265,500**

(22) Filed: **Sep. 1, 2006**

(30) **Foreign Application Priority Data**

Mar. 9, 2006 (JP) 2006-005903

(51) **LOC (8) Cl.** **14-03**

(52) **U.S. Cl.** **D14/126**

(58) **Field of Classification Search** D14/125-134,
D14/239, 371, 136, 374-377; 312/7.2; 348/836,
348/838, 180, 184, 325, 739; 341/12; 248/917-924,
248/465; 345/104, 133, 156, 168, 87, 173;
720/605, 669, 600, 655; 369/99, 197; 455/344-347
See application file for complete search history.

(56) **References Cited**

U.S. PATENT DOCUMENTS

D424,068 S 5/2000 Takemasa
D456,370 S * 4/2002 Kita D14/126
D489,340 S * 5/2004 Honda D14/126
D491,151 S 6/2004 Nagao

D496,009 S 9/2004 Takahashi et al.
D496,341 S 9/2004 Nakata et al.
D503,158 S * 3/2005 Asanuma et al. D14/126
D504,876 S * 5/2005 Zheng D14/126
D505,926 S 6/2005 Inoue et al.
D508,470 S 8/2005 Inoue et al.
D509,197 S 9/2005 Asawa et al.
D510,917 S 10/2005 Negishi et al.
D543,517 S * 5/2007 Chikuma et al. D14/126

* cited by examiner

Primary Examiner—Raphael Barkai

(74) *Attorney, Agent, or Firm*—Brinks Hofer Gilson & Lione

(57) **CLAIM**

We claim the ornamental design for a television receiver, as shown and described.

DESCRIPTION

FIG. 1 is a top perspective view of a television receiver of the present invention;

FIG. 2 is a front view thereof;

FIG. 3 is a first side view thereof;

FIG. 4 is a second side view thereof;

FIG. 5 is a top view thereof;

FIG. 6 is a bottom view thereof; and,

FIG. 7 is a rear view thereof.

1 Claim, 3 Drawing Sheets

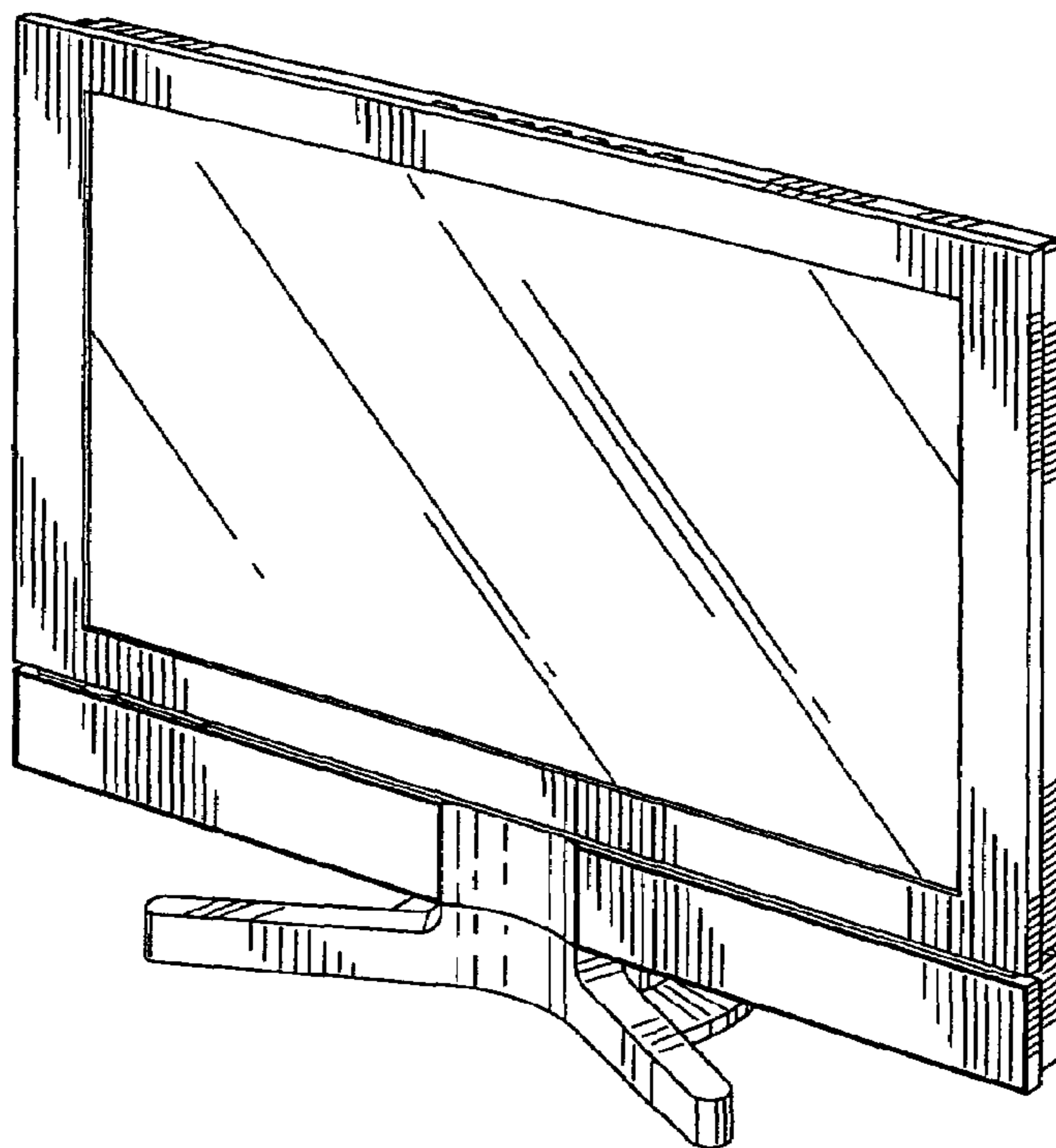


FIG. 1

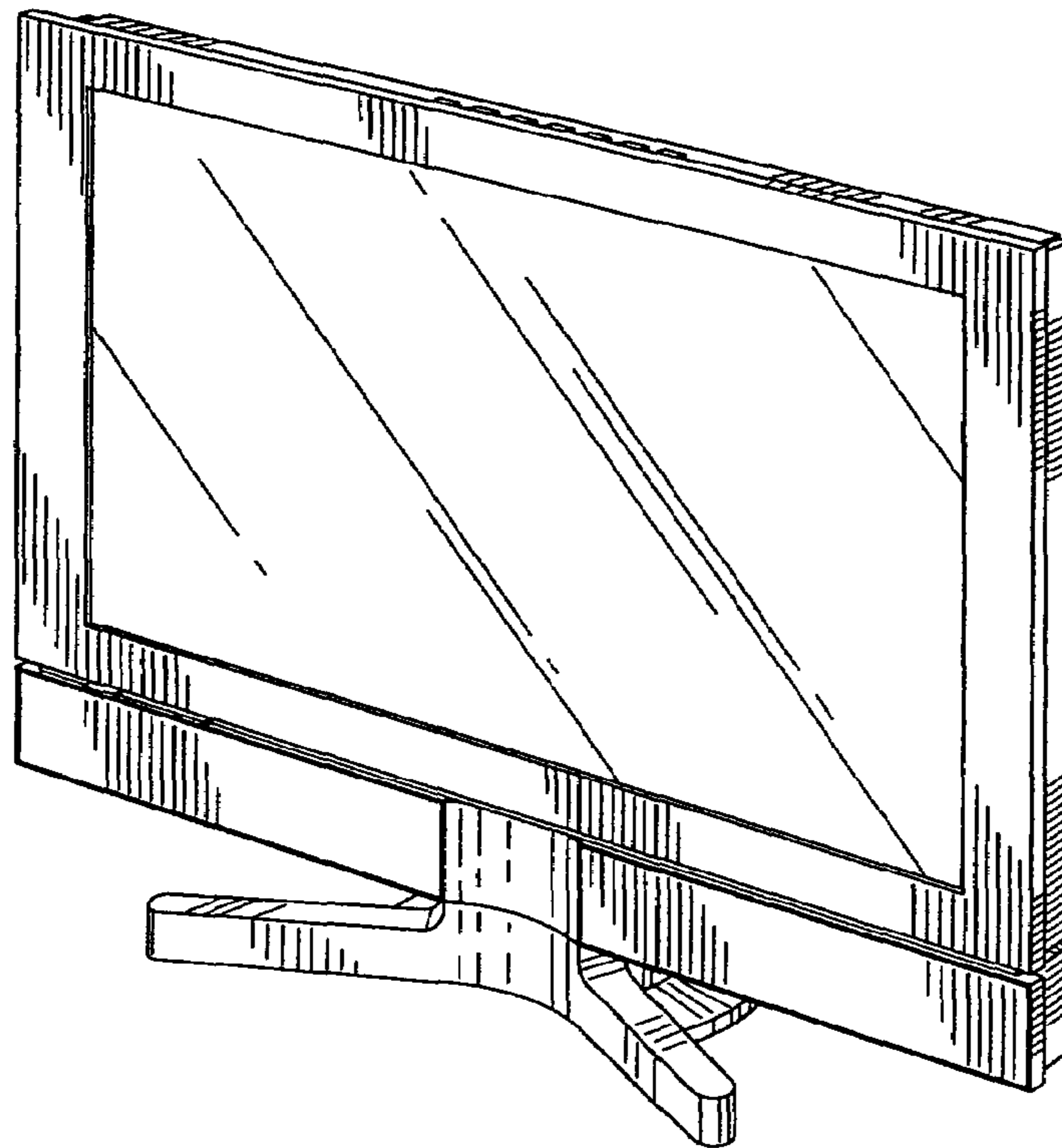


FIG. 2

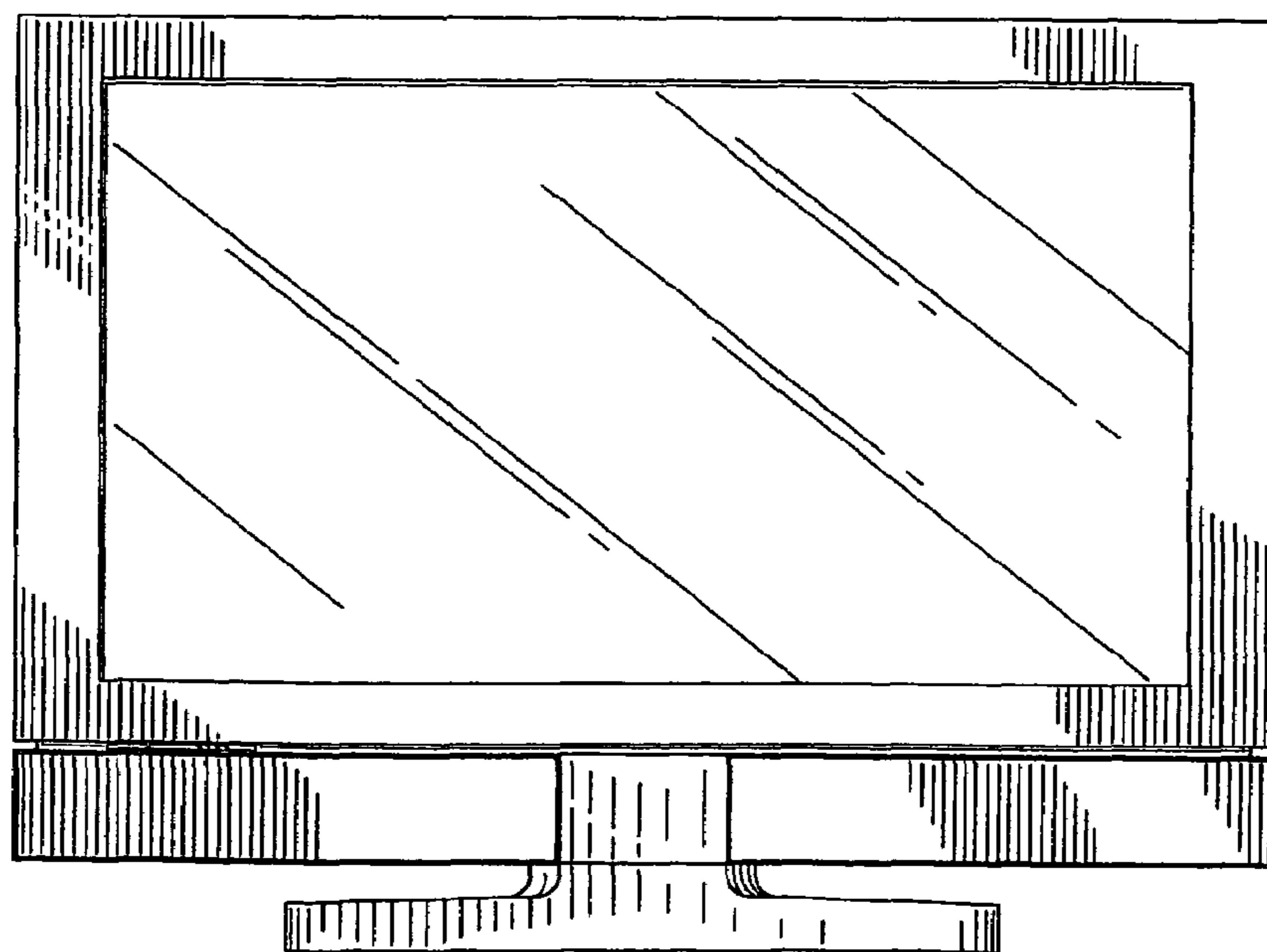


FIG.3

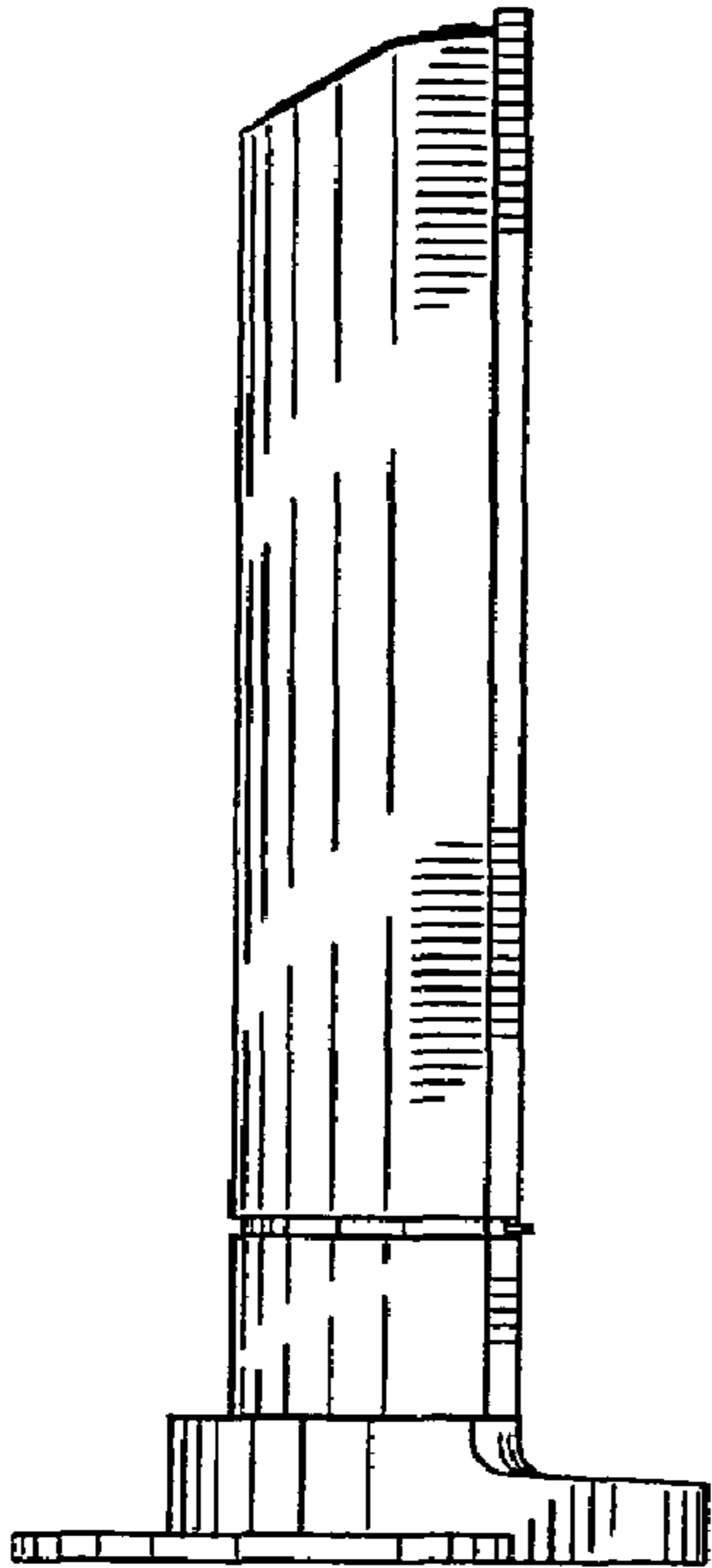


FIG.4

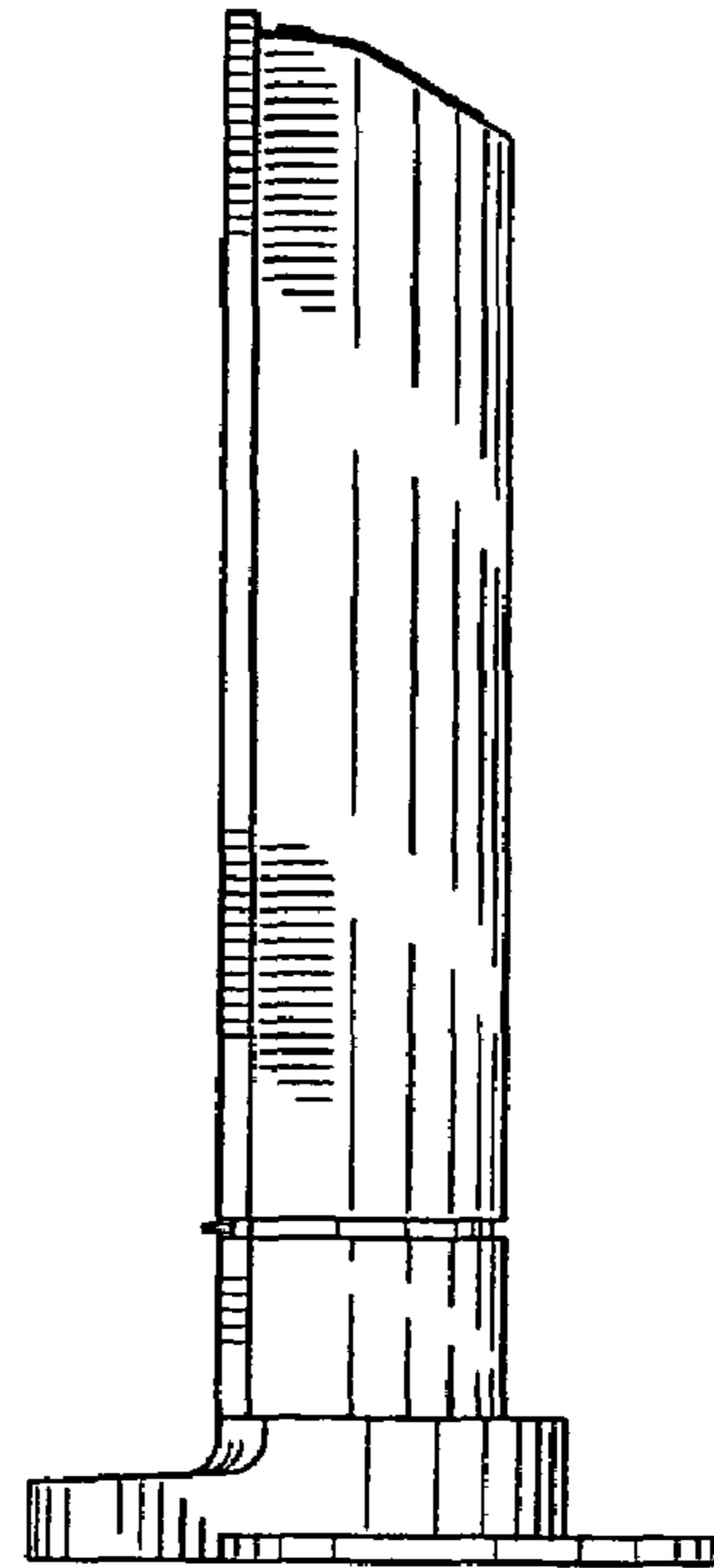


FIG.5

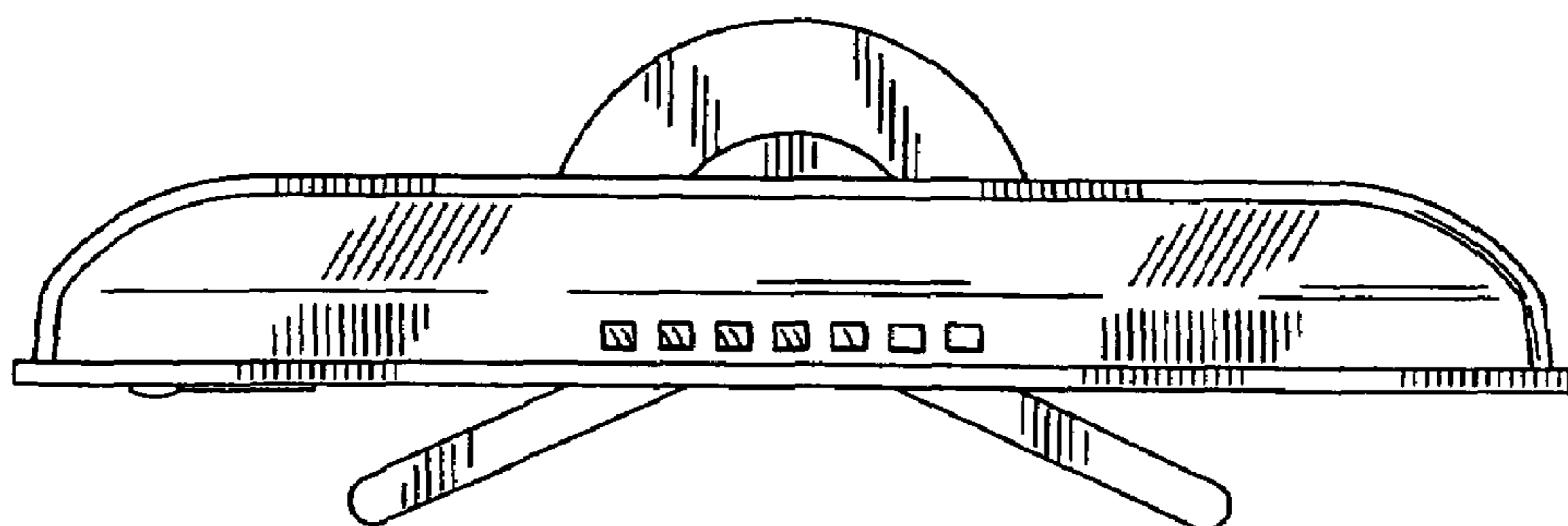


FIG.6

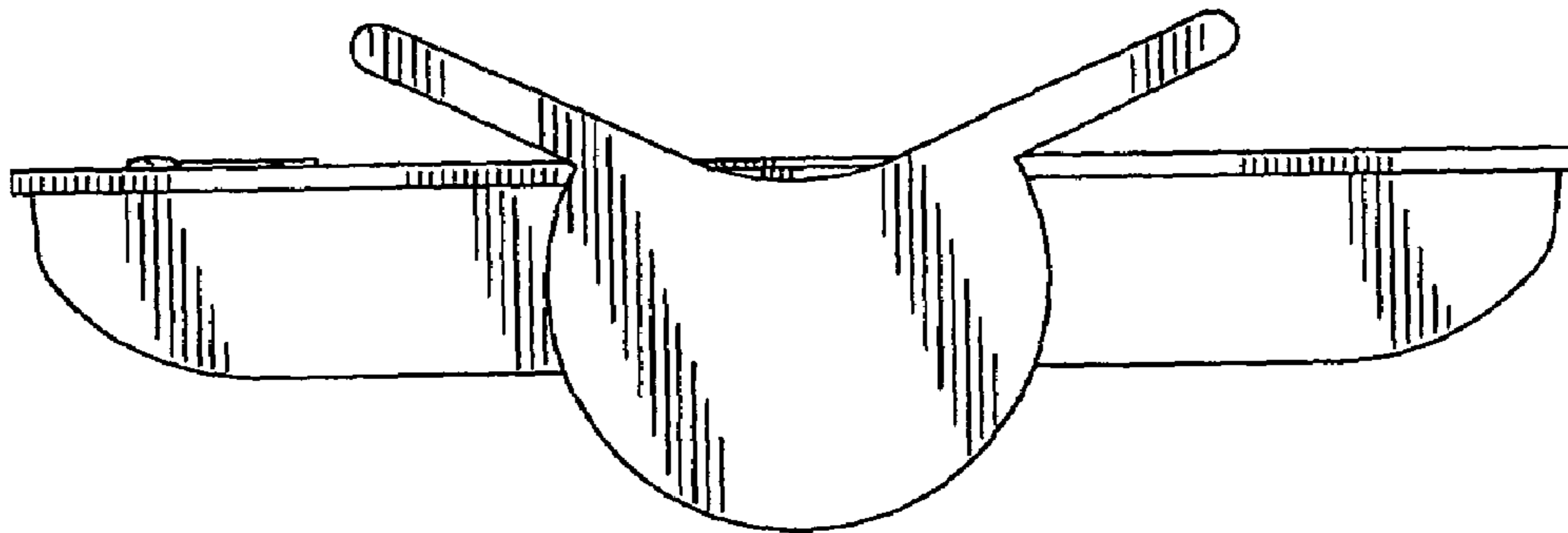


FIG.7

