

US00D563333S

(12) **United States Design Patent**  
**Kim**

(10) **Patent No.:** **US D563,333 S**

(45) **Date of Patent:** **\*\* Mar. 4, 2008**

(54) **LIGHT EMITTING DIODE (LED)**  
(75) Inventor: **Bang Hyun Kim**, Seoul (KR)  
(73) Assignee: **Seoul Semiconductor Co., Ltd.**, Seoul (KR)

(\*\*) Term: **14 Years**

(21) Appl. No.: **29/263,736**

(22) Filed: **Jul. 28, 2006**

(30) **Foreign Application Priority Data**

Apr. 5, 2006 (KR) ..... 30-2006-0012564

(51) **LOC (8) Cl.** ..... **13-03**

(52) **U.S. Cl.** ..... **D13/180**

(58) **Field of Classification Search** ..... D13/180;  
D26/2; 257/79, 80, 81, 82, 88, 89, 95, 98,  
257/99, 100, 678, 680, 433, 434; 313/483,  
313/498, 500; 361/820; 362/555, 800  
See application file for complete search history.

(56) **References Cited**

**U.S. PATENT DOCUMENTS**

6,355,946 B1 \* 3/2002 Ishinaga ..... 257/98  
6,586,721 B2 \* 7/2003 Estevez-Garcia ..... 250/221  
6,624,491 B2 \* 9/2003 Waitl et al. .... 257/434  
6,707,069 B2 \* 3/2004 Song et al. .... 257/79  
D491,899 S \* 6/2004 Yagi ..... D13/180  
6,774,406 B2 \* 8/2004 Isoda ..... 257/99

D505,397 S \* 5/2005 Asakawa ..... D13/180  
D517,026 S \* 3/2006 Suenaga ..... D13/180  
D521,950 S \* 5/2006 Inoue ..... D13/180  
D528,997 S \* 9/2006 Jung et al. .... D13/180  
D531,140 S \* 10/2006 Konno et al. .... D13/180  
2004/0041222 A1 \* 3/2004 Loh ..... 257/433  
2005/0051789 A1 \* 3/2005 Negley et al. .... 257/99  
2006/0193121 A1 \* 8/2006 Kamoshita ..... 362/84  
2007/0030703 A1 \* 2/2007 Lee et al. .... 362/800

\* cited by examiner

*Primary Examiner*—Selina Sikder

(74) *Attorney, Agent, or Firm*—Townsend & Townsend & Crew LLP

(57) **CLAIM**

The ornamental design for light emitting diode (LED), as shown and described.

**DESCRIPTION**

FIG. 1 is a perspective view of a light emitting diode (LED) showing my new design;

FIG. 2 is a front elevational view thereof;

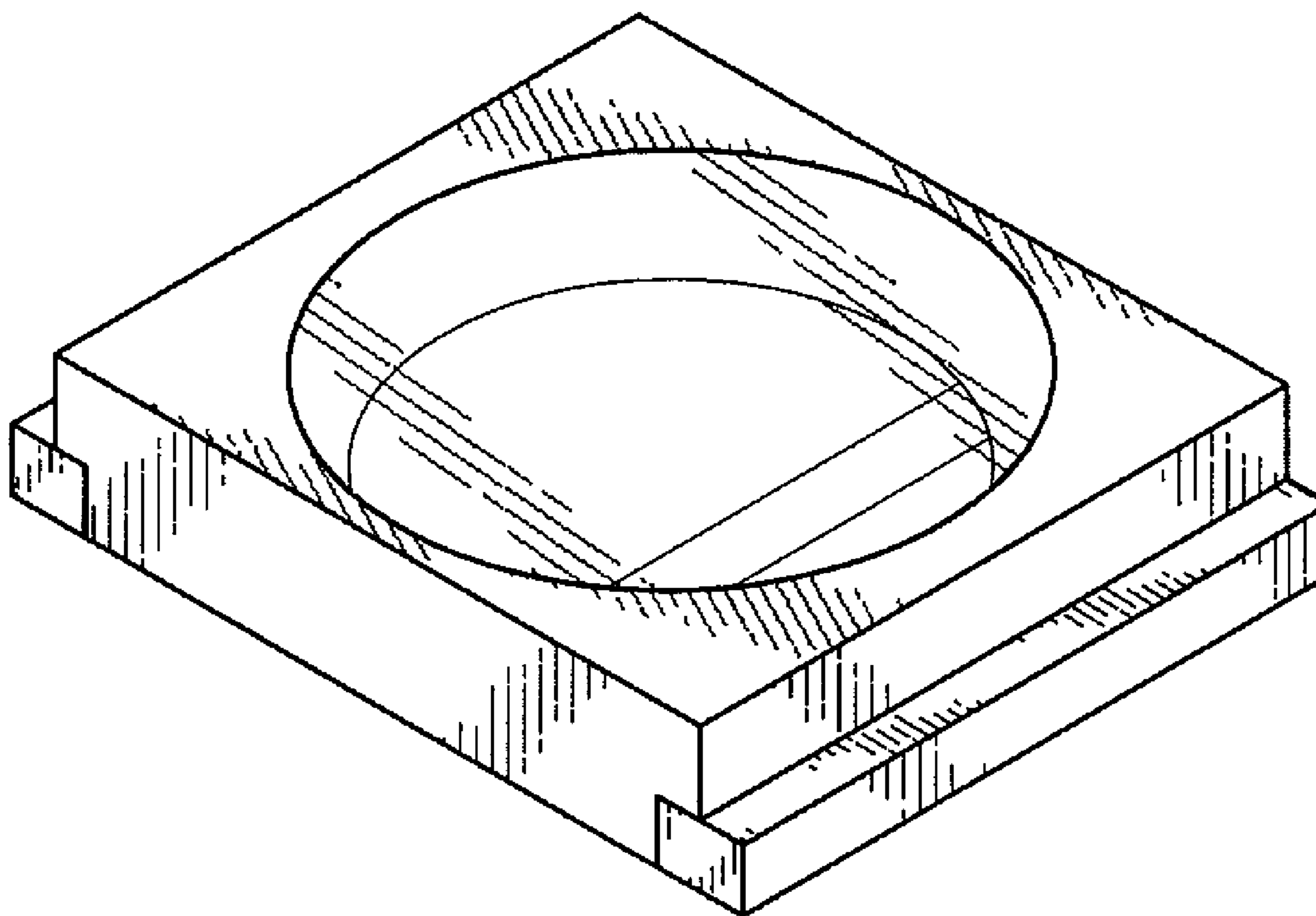
FIG. 3 is a left side elevational view thereof;

FIG. 4 is a top plan view thereof;

FIG. 5 is a bottom plan view thereof; and,

FIG. 6 is a sectional view taken along line 6—6 in FIG. 4.

**1 Claim, 3 Drawing Sheets**



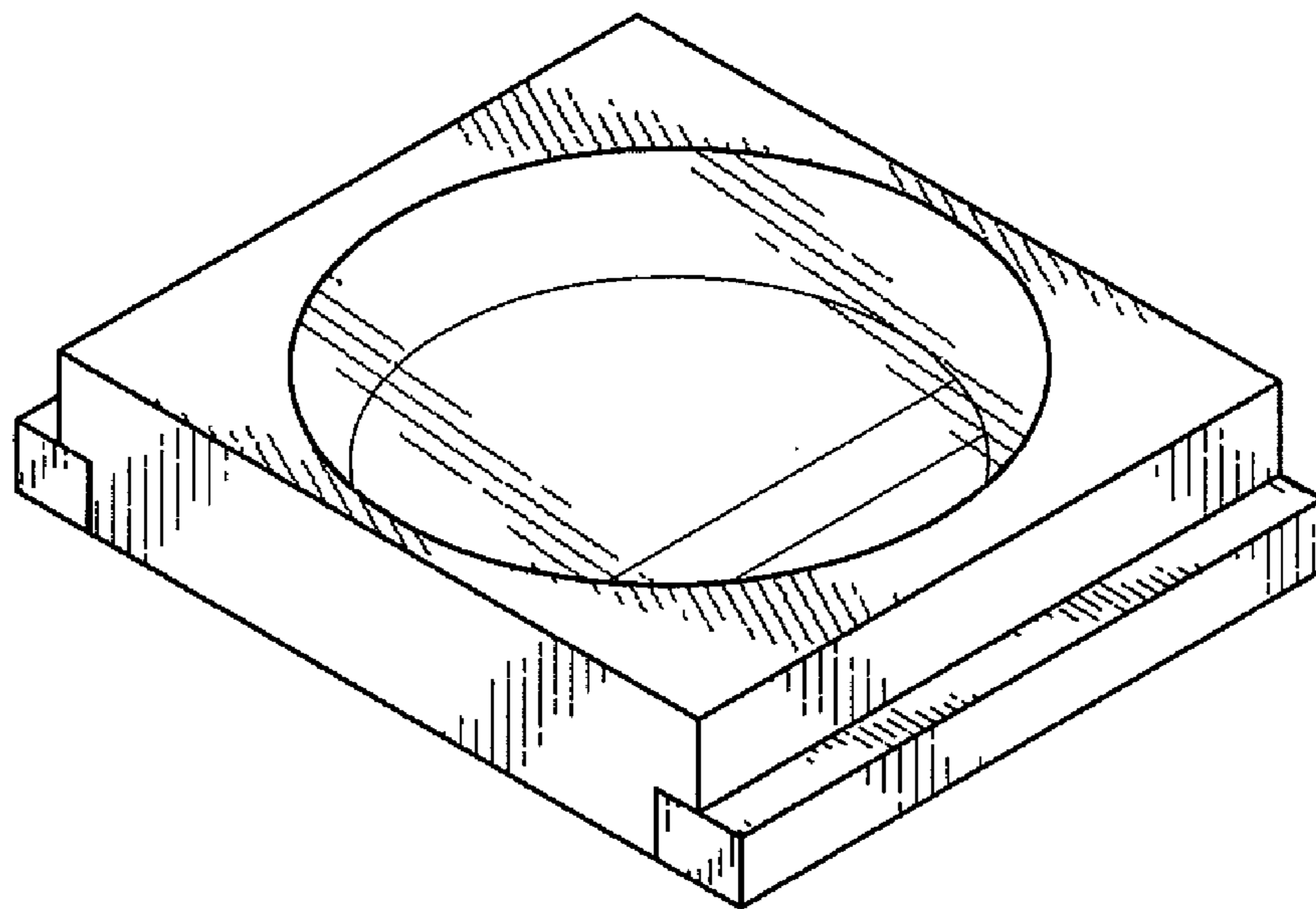


FIG. 1

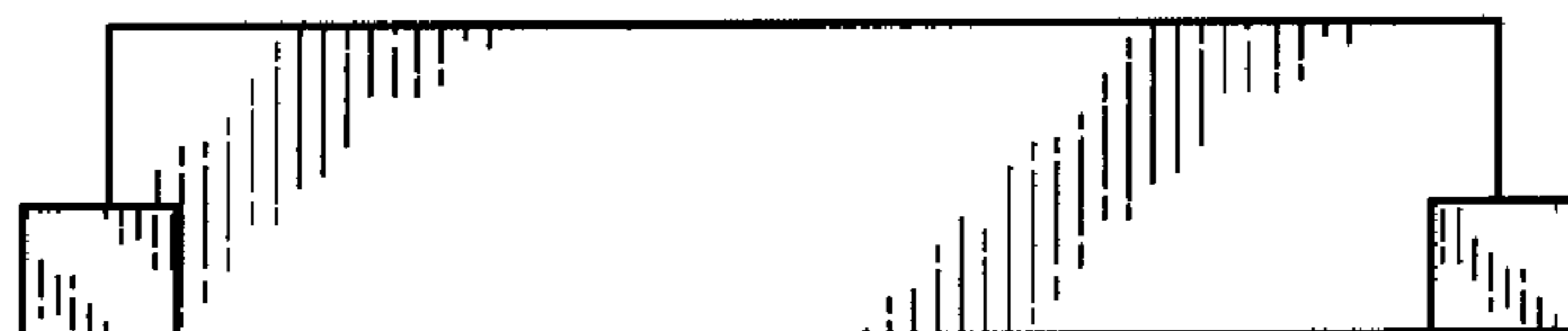


FIG. 2

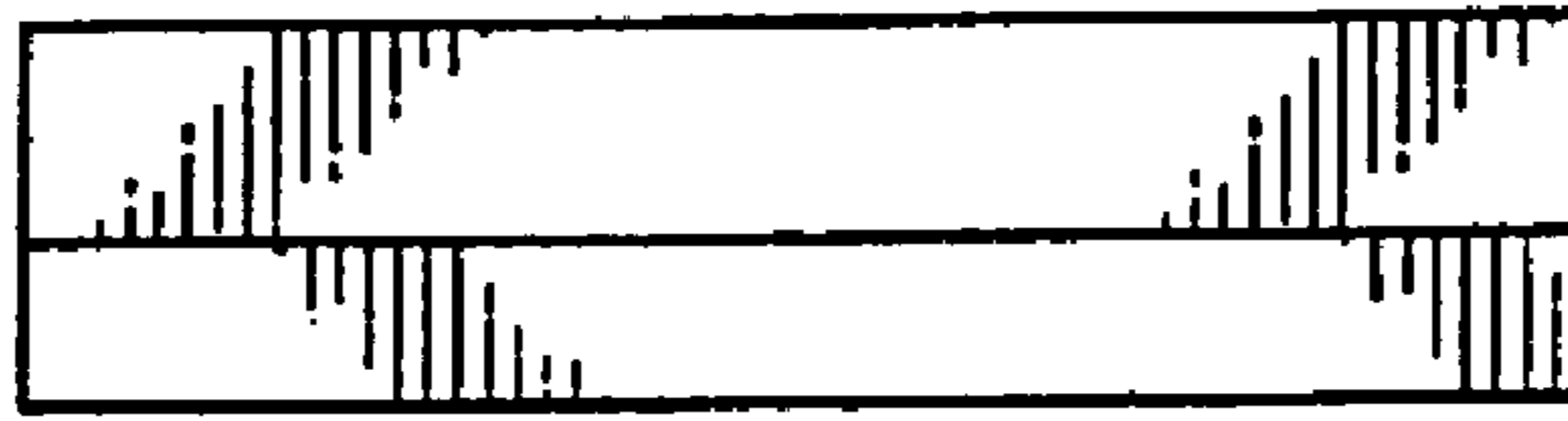


FIG. 3

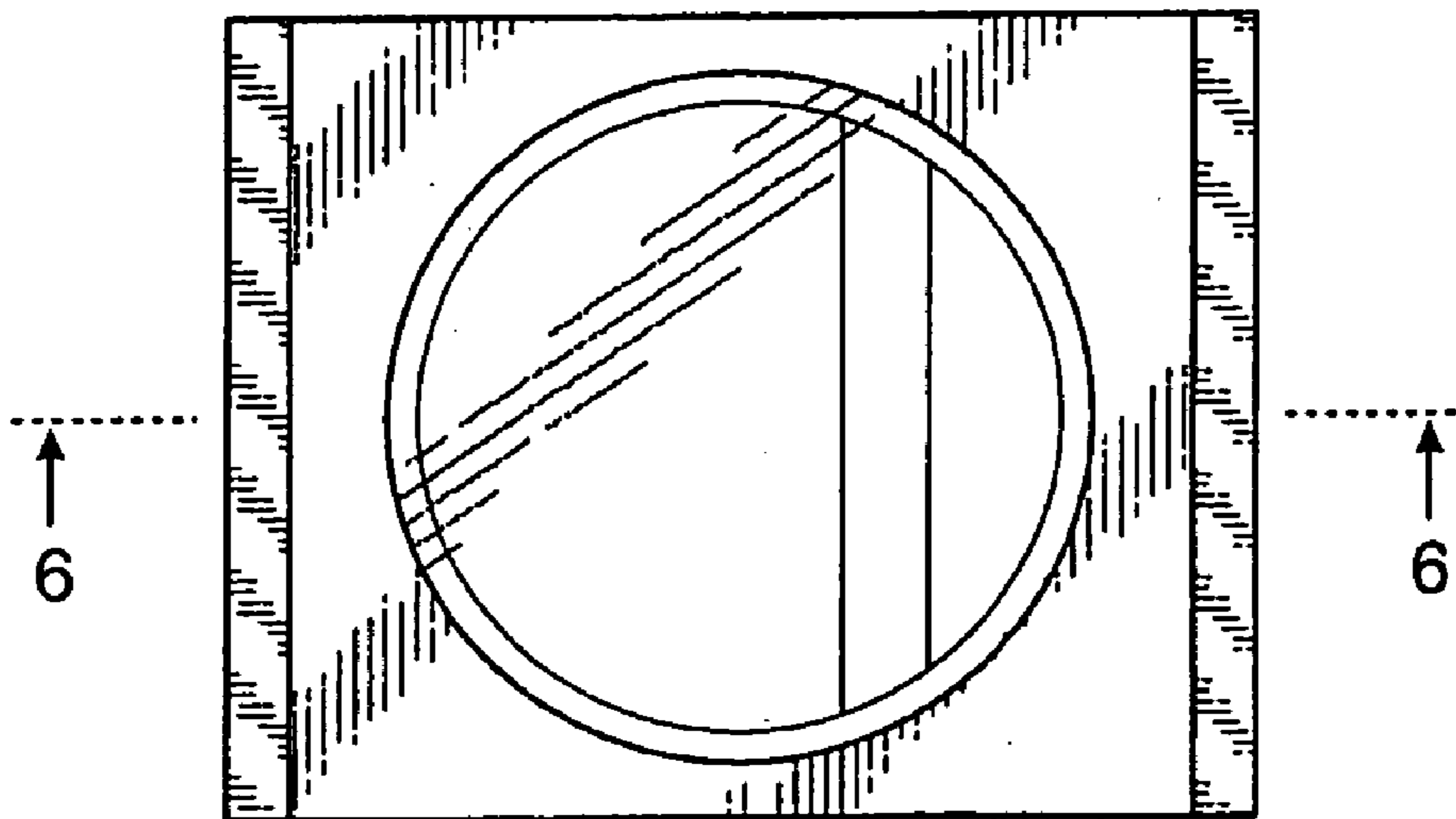


FIG. 4

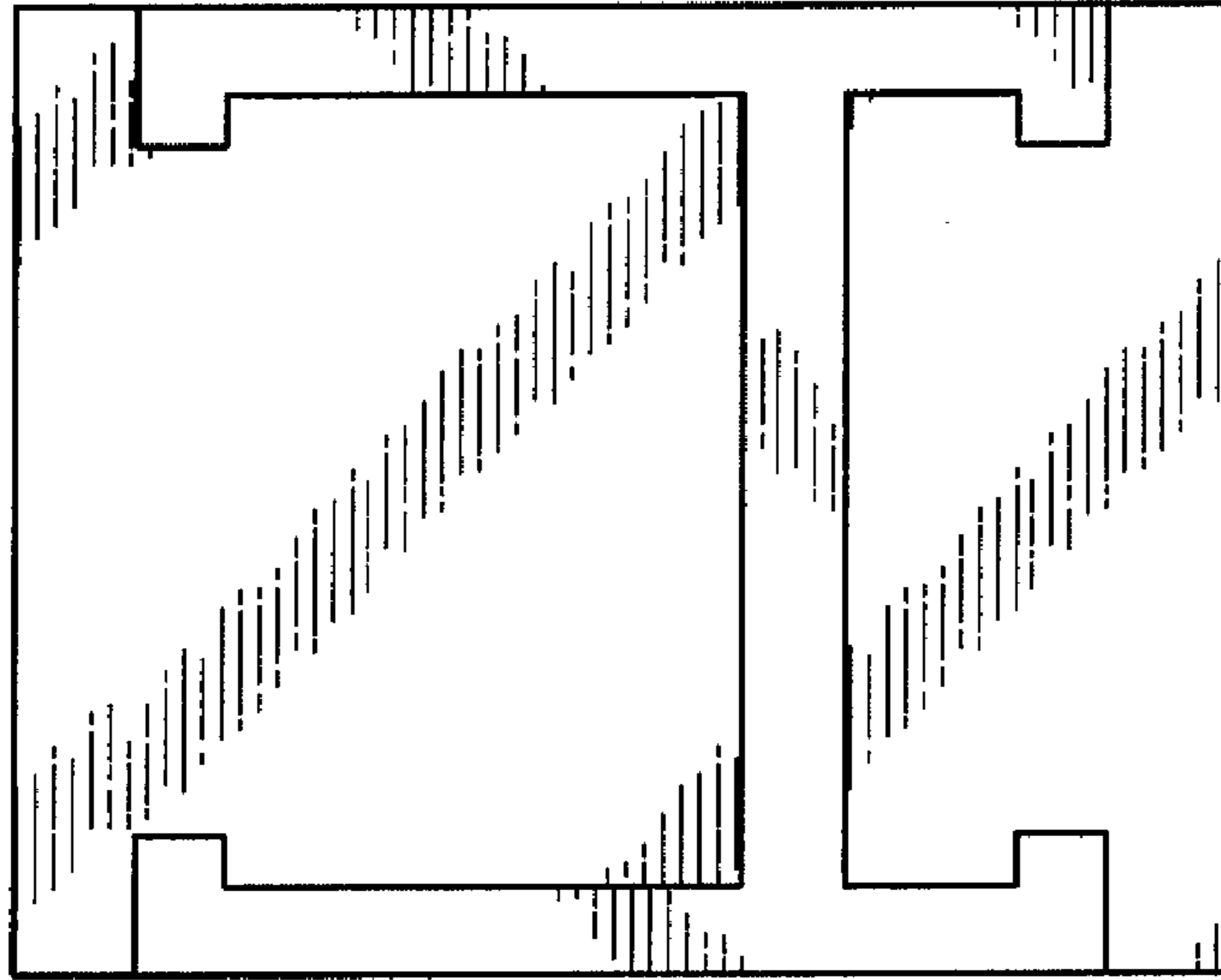


FIG. 5

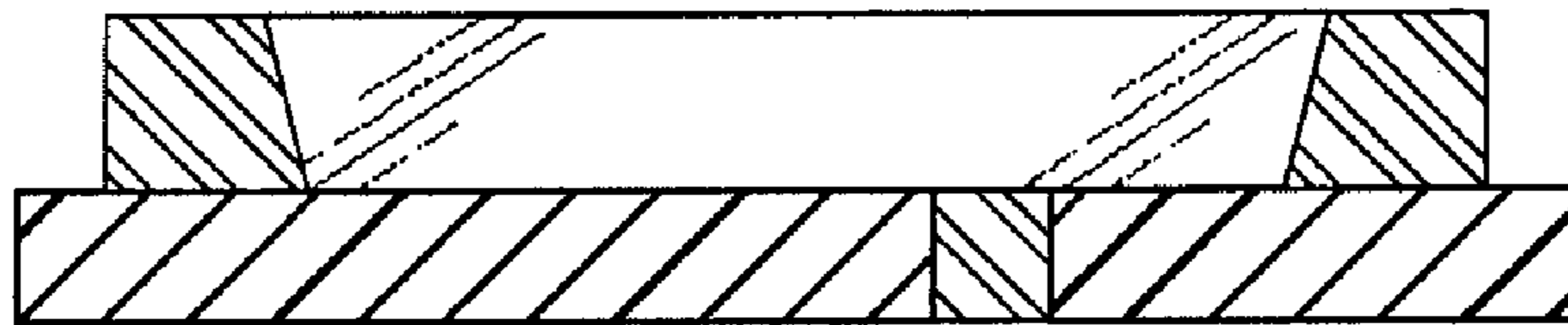


FIG. 6