



US00D563331S

(12) **United States Design Patent**
Rosen

(10) **Patent No.:** **US D563,331 S**
(45) **Date of Patent:** **** Mar. 4, 2008**

(54) **TOLL TRANSPONDER COVER**

(76) Inventor: **Daniel M. Rosen**, 67 Mason St.,
Greenwich, CT (US) 68309

(**) Term: **14 Years**

(21) Appl. No.: **29/273,760**

(22) Filed: **Mar. 13, 2007**

(51) **LOC (8) Cl.** **13-03**

(52) **U.S. Cl.** **D13/177; D13/184**

(58) **Field of Classification Search** D13/177,
D13/184; D10/104; D20/43; D3/201, 215,
D3/218, 247; 224/585; 248/205.3; 40/1.5,
40/654.01

See application file for complete search history.

(56) **References Cited**

U.S. PATENT DOCUMENTS

D265,989	S	*	8/1982	Harris et al.	D13/184
D303,403	S	*	9/1989	Barcom	D20/43
D348,410	S	*	7/1994	Adams et al.	D10/104
5,410,827	A	*	5/1995	Smith	40/1.5
D373,241	S	*	9/1996	Chavez et al.	D3/218
D400,704	S	*	11/1998	Leinberger	D3/215
5,960,572	A		10/1999	DeVito		
6,105,294	A	*	8/2000	Goodfellow	40/654.01
6,127,938	A		10/2000	Friedman		
D477,909	S		8/2003	Harris		
D483,941	S	*	12/2003	Fassett	D3/218
6,663,063	B2		12/2003	Tatta		
6,745,925	B2		6/2004	Brzyski		
D525,024	S	*	7/2006	Fridie et al.	D3/201
7,080,764	B2		7/2006	McNicholas		

D550,172 S * 9/2007 Aguilar et al. D13/184
2003/0214406 A1 11/2003 Epstein
2004/0245303 A1* 12/2004 Santayana 224/585

OTHER PUBLICATIONS

E-ZPAL Toll Pass Holder—E-Z Product Catalog Feb. 6, 2007.

* cited by examiner

Primary Examiner—Daniel Bui

Assistant Examiner—Thomas J Johannes

(74) *Attorney, Agent, or Firm*—Robert L. Epstein; Epstein
Drangel Bazerman & James, LLP

(57) **CLAIM**

The ornamental design for a toll transponder cover, substantially as shown and described.

DESCRIPTION

FIG. 1 is a top, and right side perspective view of the toll transponder cover showing same exploded from a typical toll transponder;

FIG. 2 is a front view of the toll transponder cover;

FIG. 3 is a rear view of the toll transponder cover;

FIG. 4 is a right side view of the toll transponder cover, the other side being the mirror image thereof; and,

FIG. 5 is a top view of the toll transponder cover, the bottom appearing the same as the top.

The broken-line disclosure of the toll transponder in FIG. 1 is for illustration purposes only and forms no part of the claimed design.

1 Claim, 2 Drawing Sheets

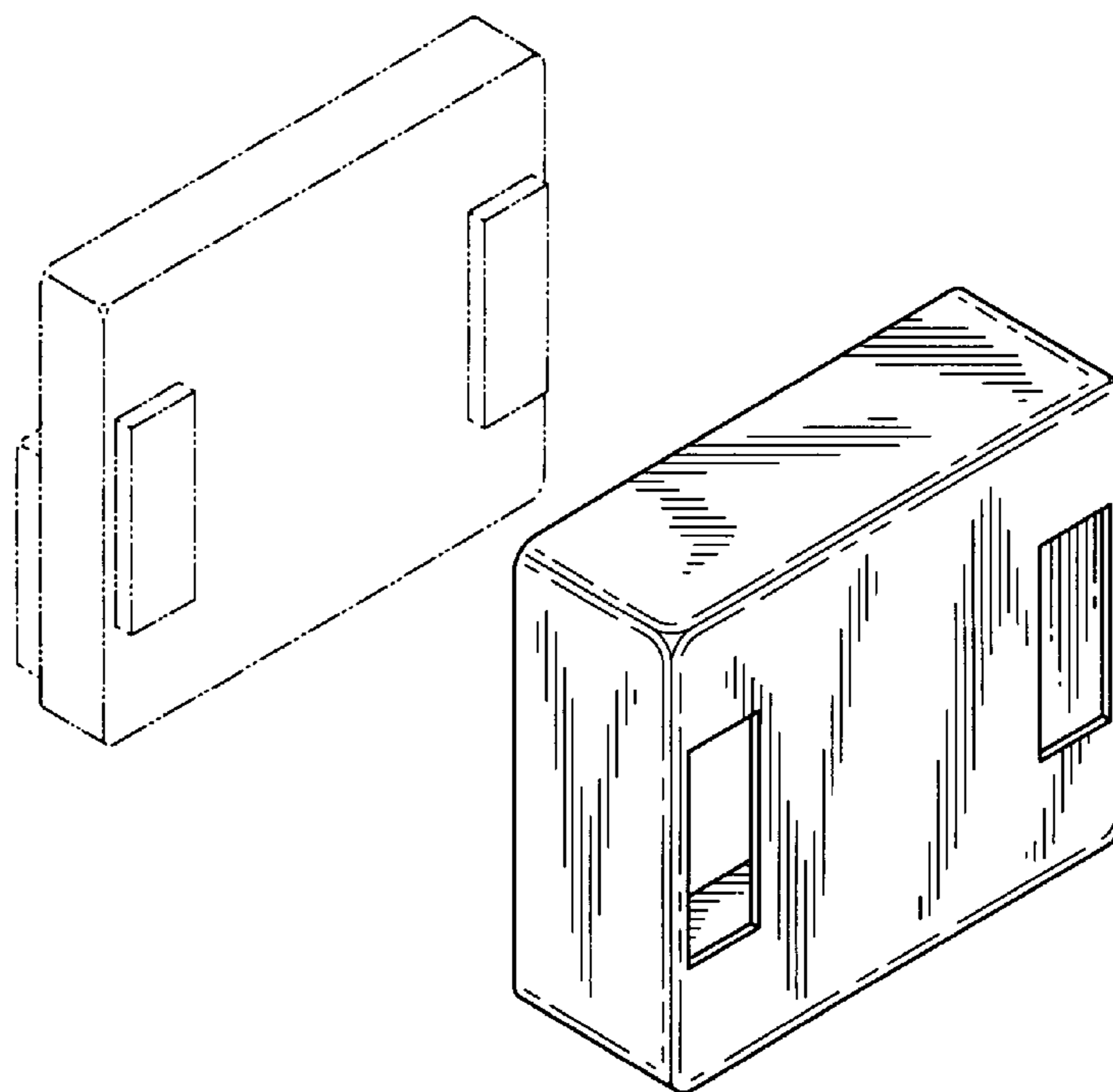


FIG. 1

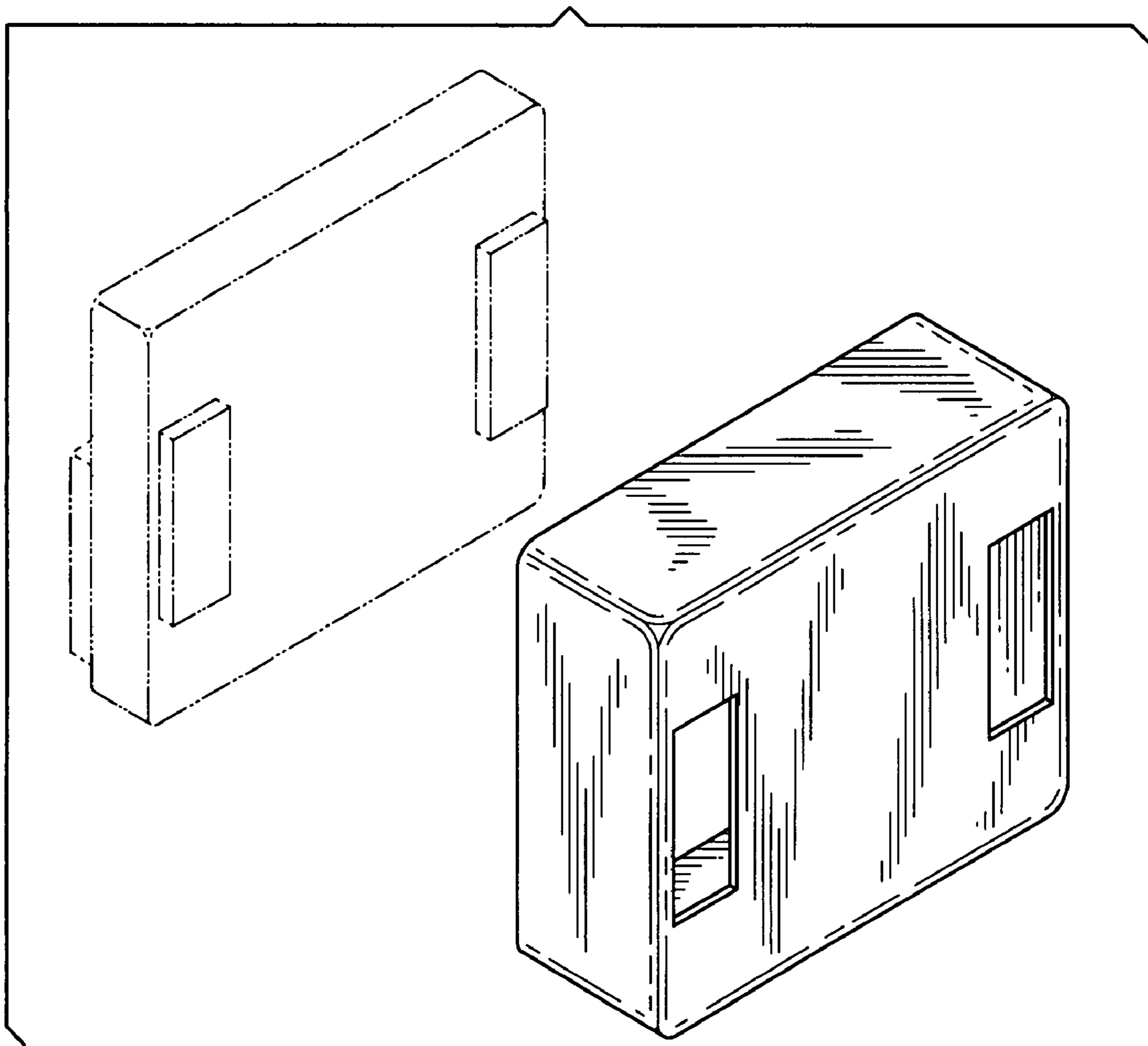


FIG. 2

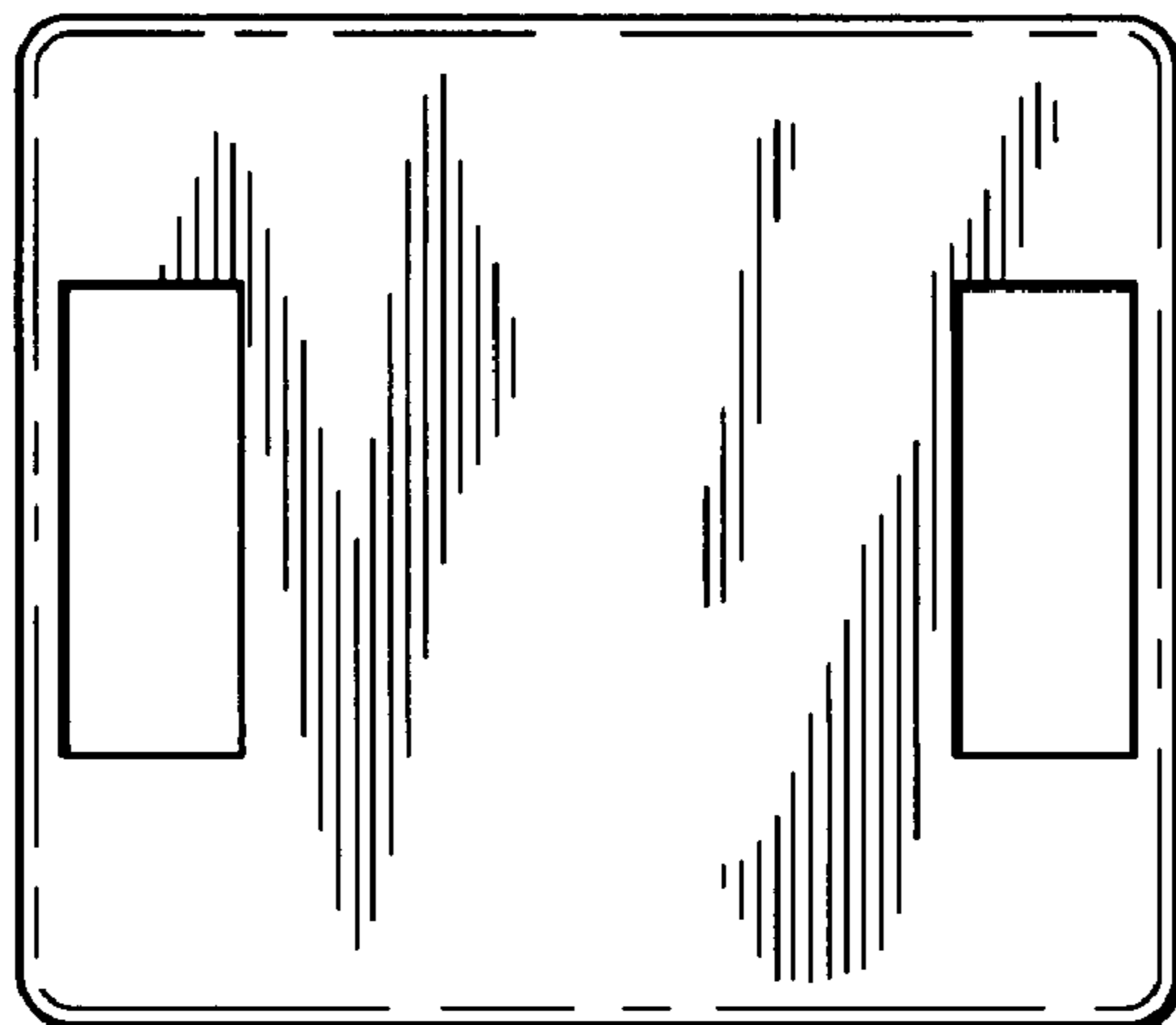


FIG. 3

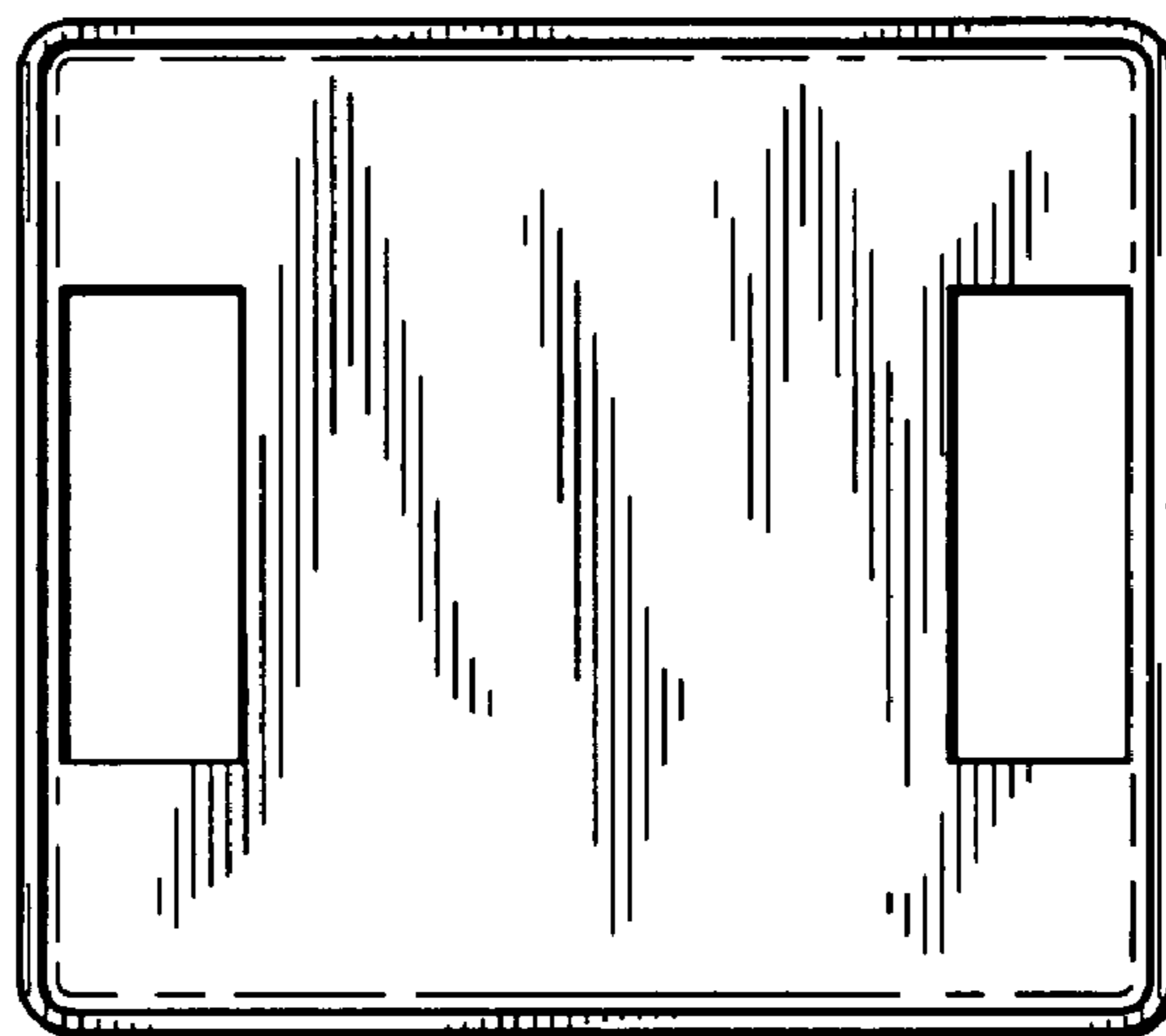


FIG. 4

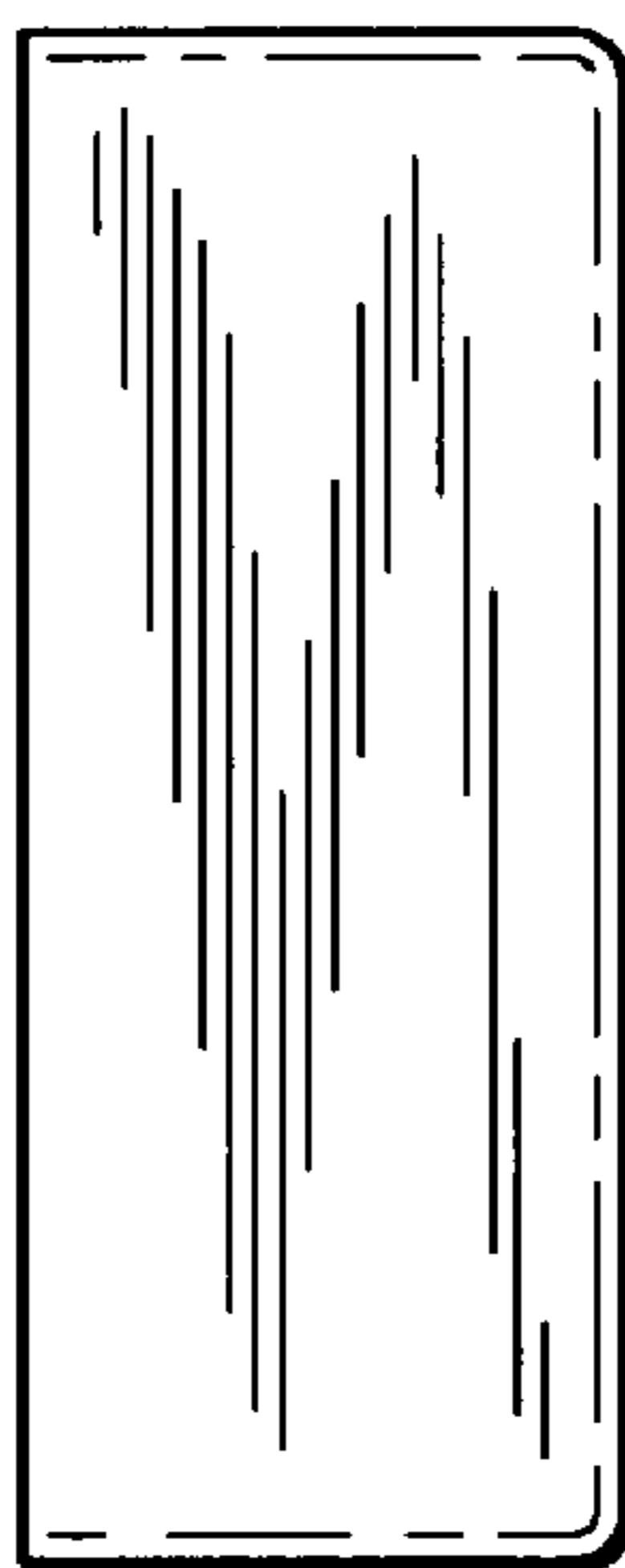


FIG. 5

