

US00D563330S

(12) **United States Design Patent**
Lin et al.

(10) **Patent No.:** **US D563,330 S**

(45) **Date of Patent:** **** Mar. 4, 2008**

(54) **CONTROL BOX OF ACTUATOR**

(75) Inventors: **Yu-Jian Lin**, Taichung (TW);
Cheng-Han Tsai, Taichung (TW)

(73) Assignee: **Hiwin Mikrosystem Corp.**, Taichung
(TW)

(**) Term: **14 Years**

(21) Appl. No.: **29/250,503**

(22) Filed: **Nov. 17, 2006**

(51) **LOC (8) Cl.** **13-03**

(52) **U.S. Cl.** **D13/177**

(58) **Field of Classification Search** D13/137,
D13/162, 164, 168, 158, 177; D14/256,
D14/299; 439/607-610, 701, 712, 676
See application file for complete search history.

(56) **References Cited**

U.S. PATENT DOCUMENTS

5,707,308	A *	1/1998	Liu	473/588
D404,366	S *	1/1999	Gross et al.	D13/168
D409,980	S *	5/1999	Byrne	D13/137.1
D418,815	S *	1/2000	Byrne	D13/146
D438,856	S *	3/2001	Uehara	D14/156
D440,206	S *	4/2001	Carroll et al.	D13/162
D462,954	S *	9/2002	Chen	D14/299

D468,654	S *	1/2003	Wunsch	D10/104
7,112,097	B1 *	9/2006	Lam	439/654
D541,228	S *	4/2007	Thursfield	D13/168

* cited by examiner

Primary Examiner—Selina Sikder
Assistant Examiner—Thomas J Johannes
(74) *Attorney, Agent, or Firm*—Banger Shia

(57) **CLAIM**

The ornamental design for a control box of actuator, as shown and described.

DESCRIPTION

FIG. 1 is a perspective view of a control box of actuator showing my new design;

FIG. 2 is a front elevational view thereof;

FIG. 3 is a rear elevational view thereof,

FIG. 4 is a left side elevational view thereof,

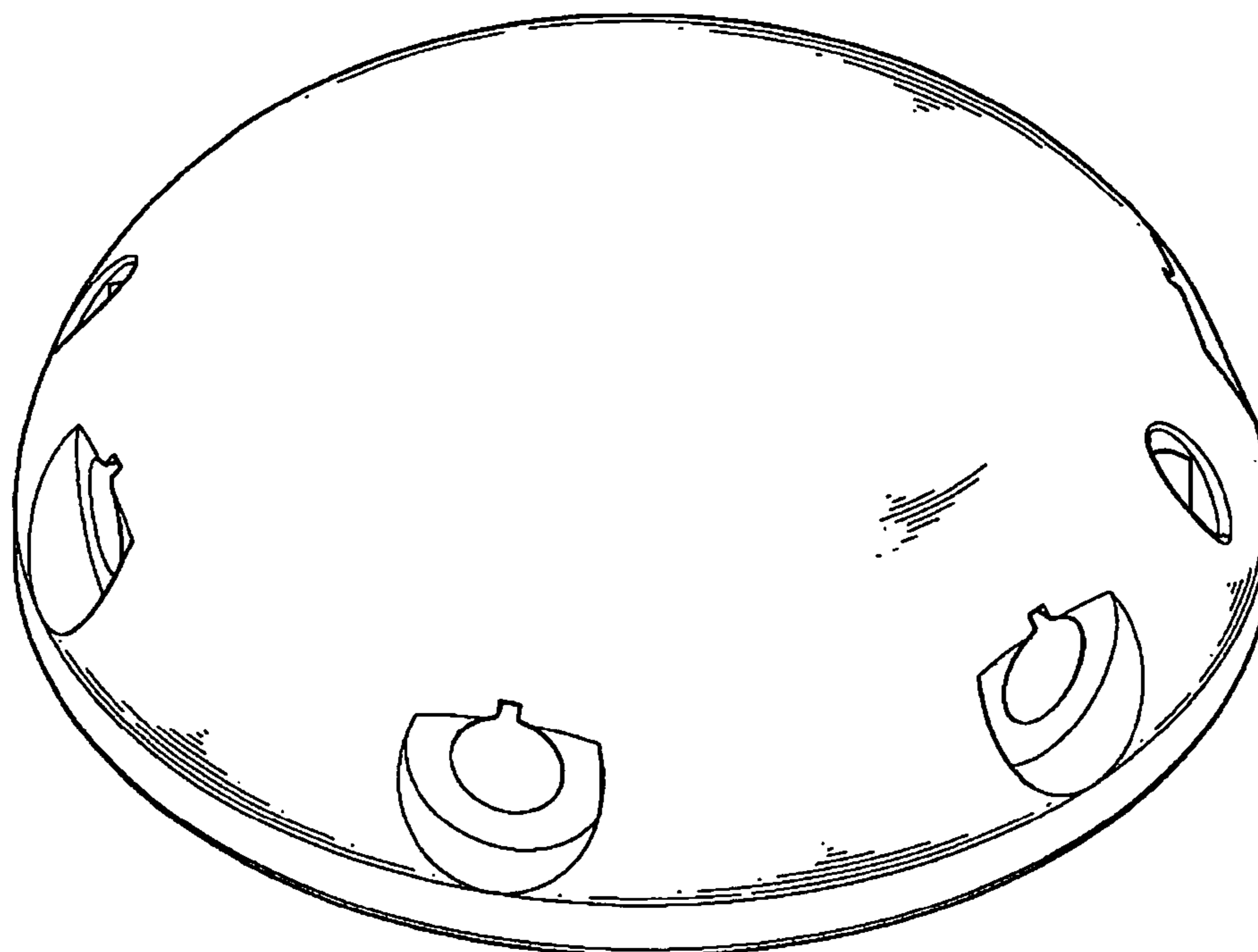
FIG. 5 is a right side elevational view thereof,

FIG. 6 is a top plan view thereof; and

FIG. 7 is a bottom plan view to that shown; and,

FIG. 8 is a perspective view of a control box of actuator, the broken lines shown are for illustrative purposes only and from no part of the claimed design.

1 Claim, 6 Drawing Sheets



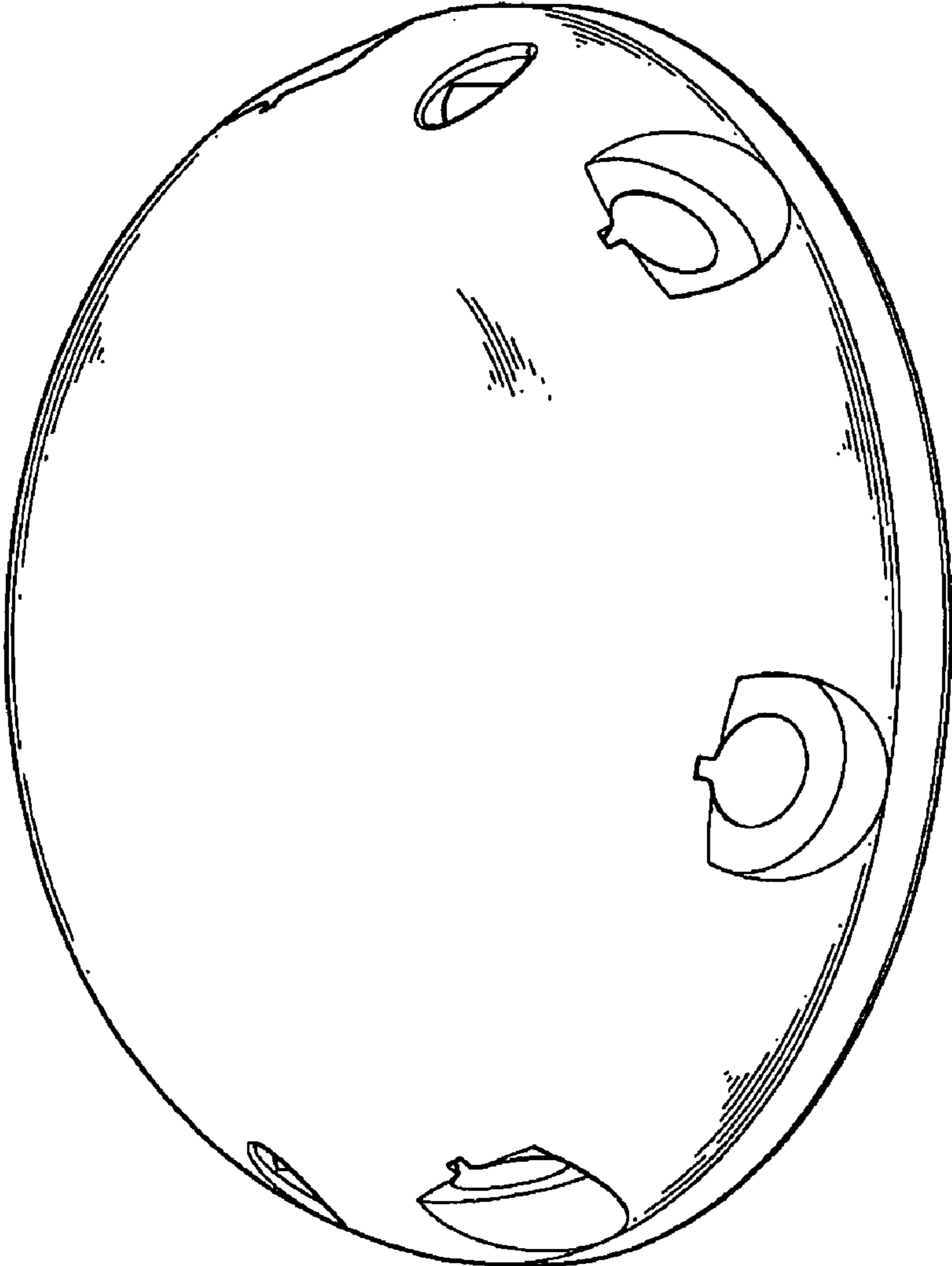


FIG. 1

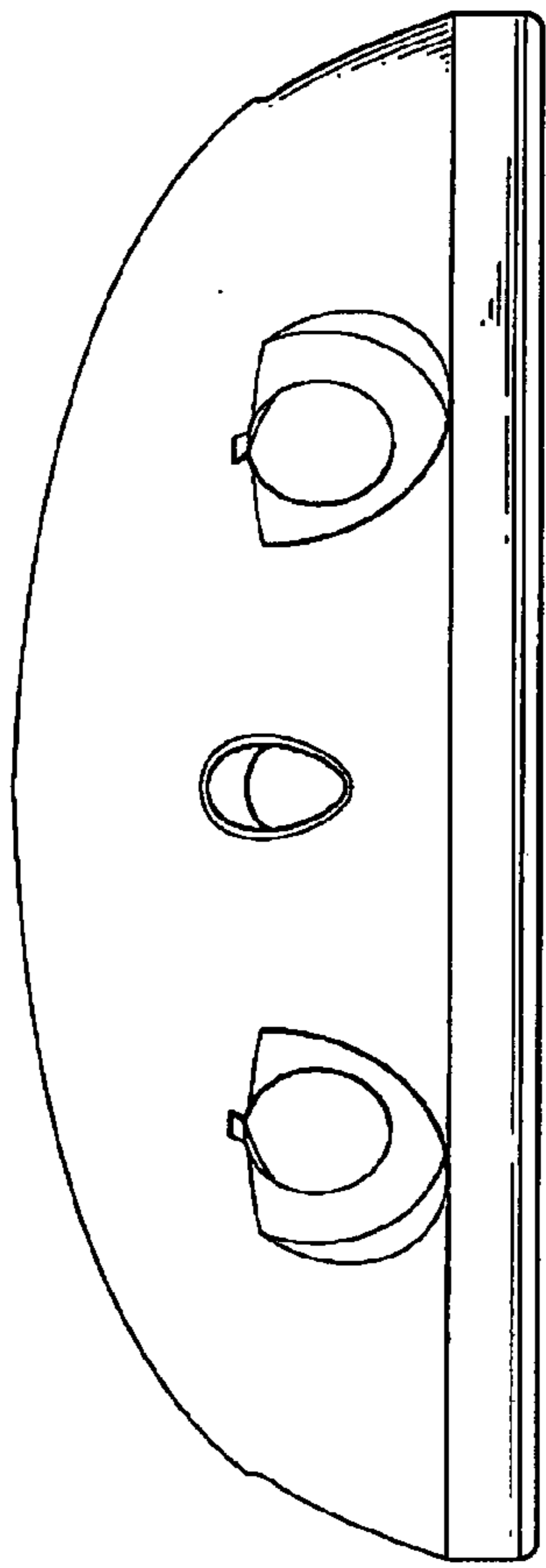


FIG. 2

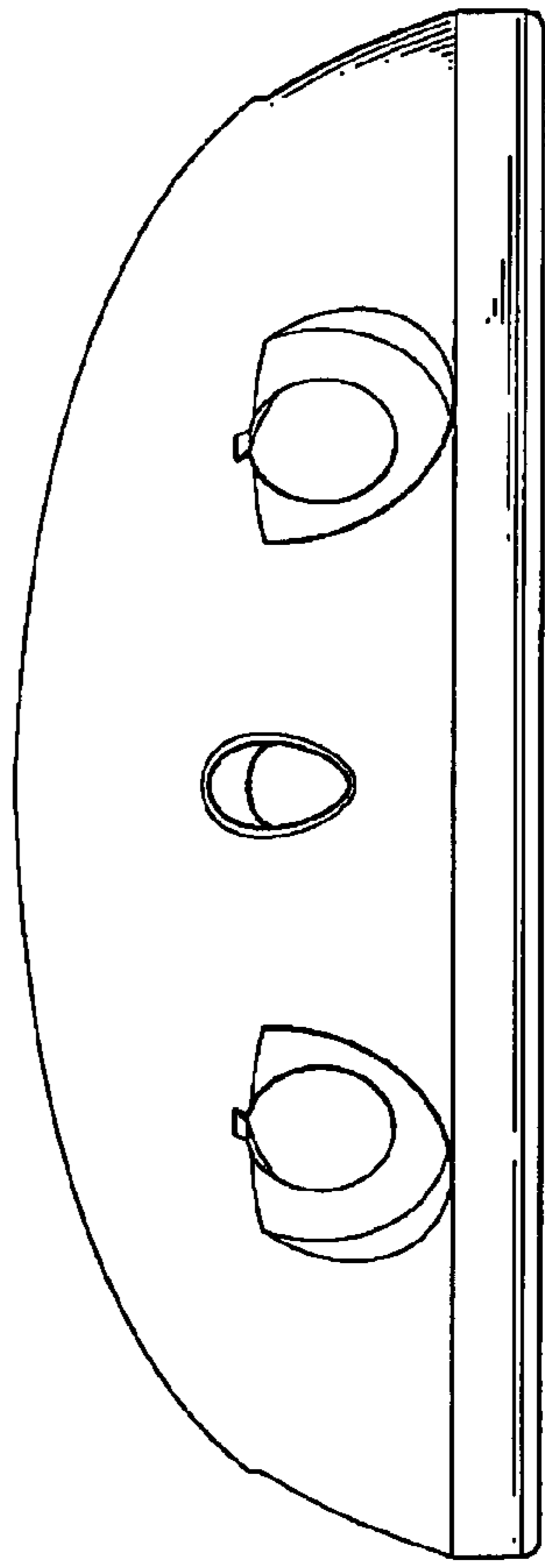


FIG. 3

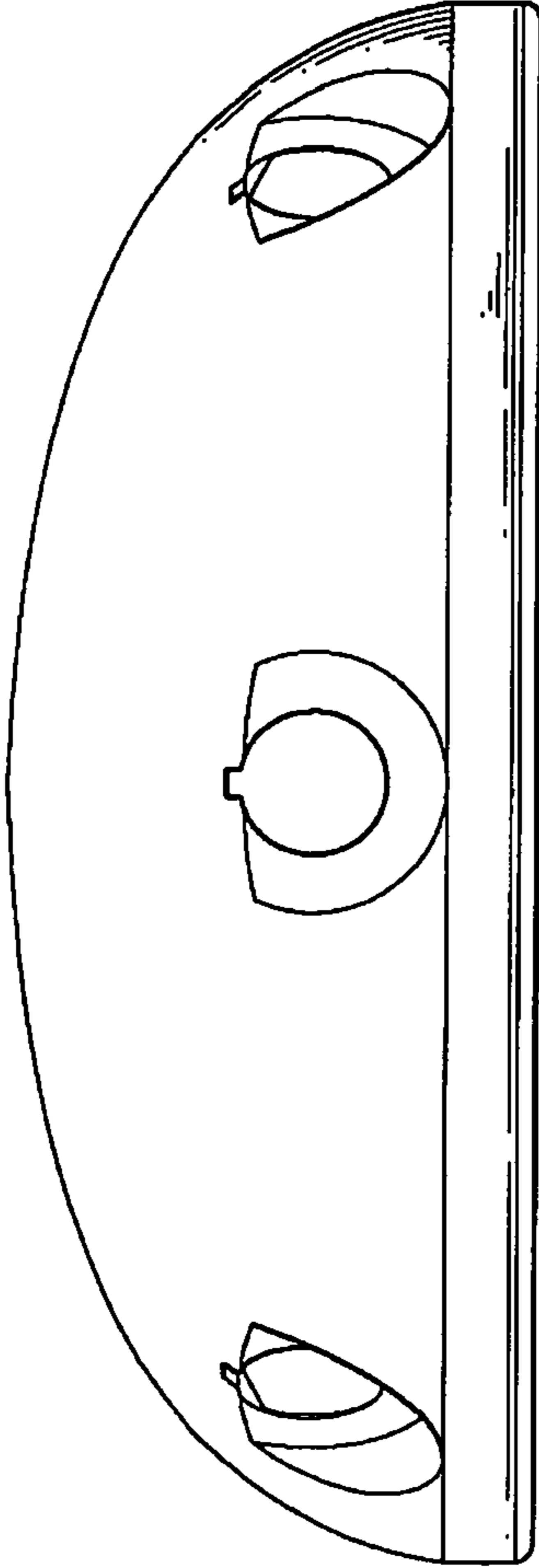


FIG. 4

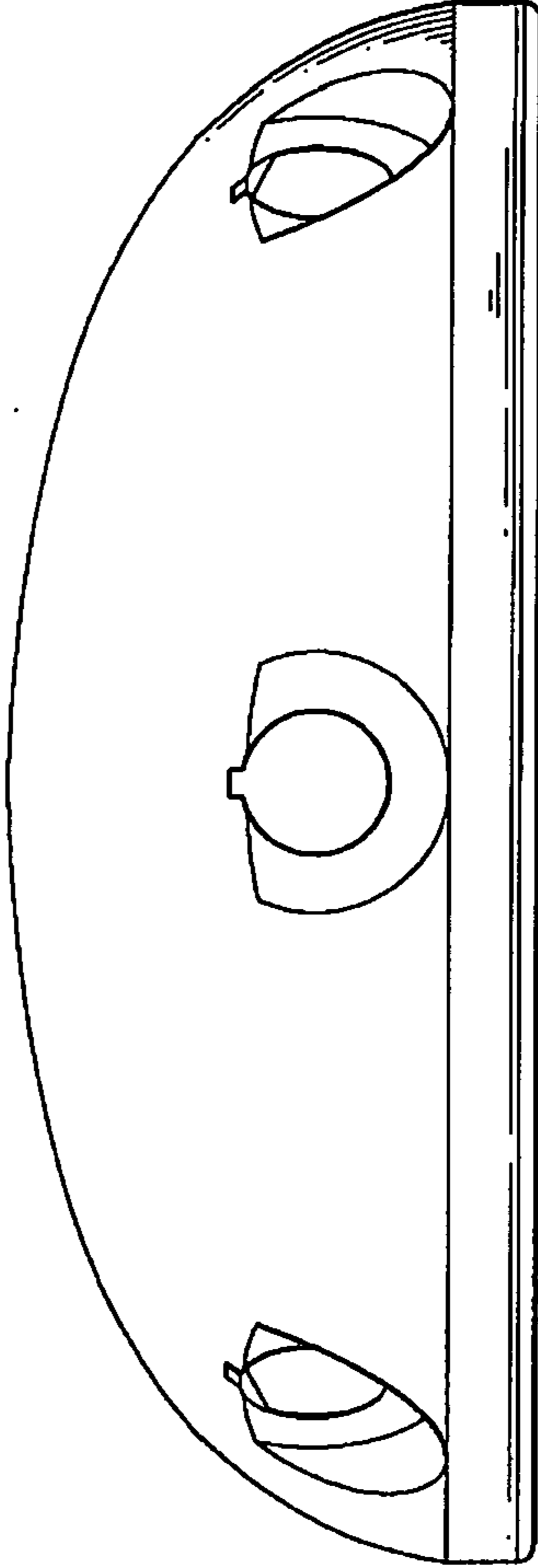


FIG. 5

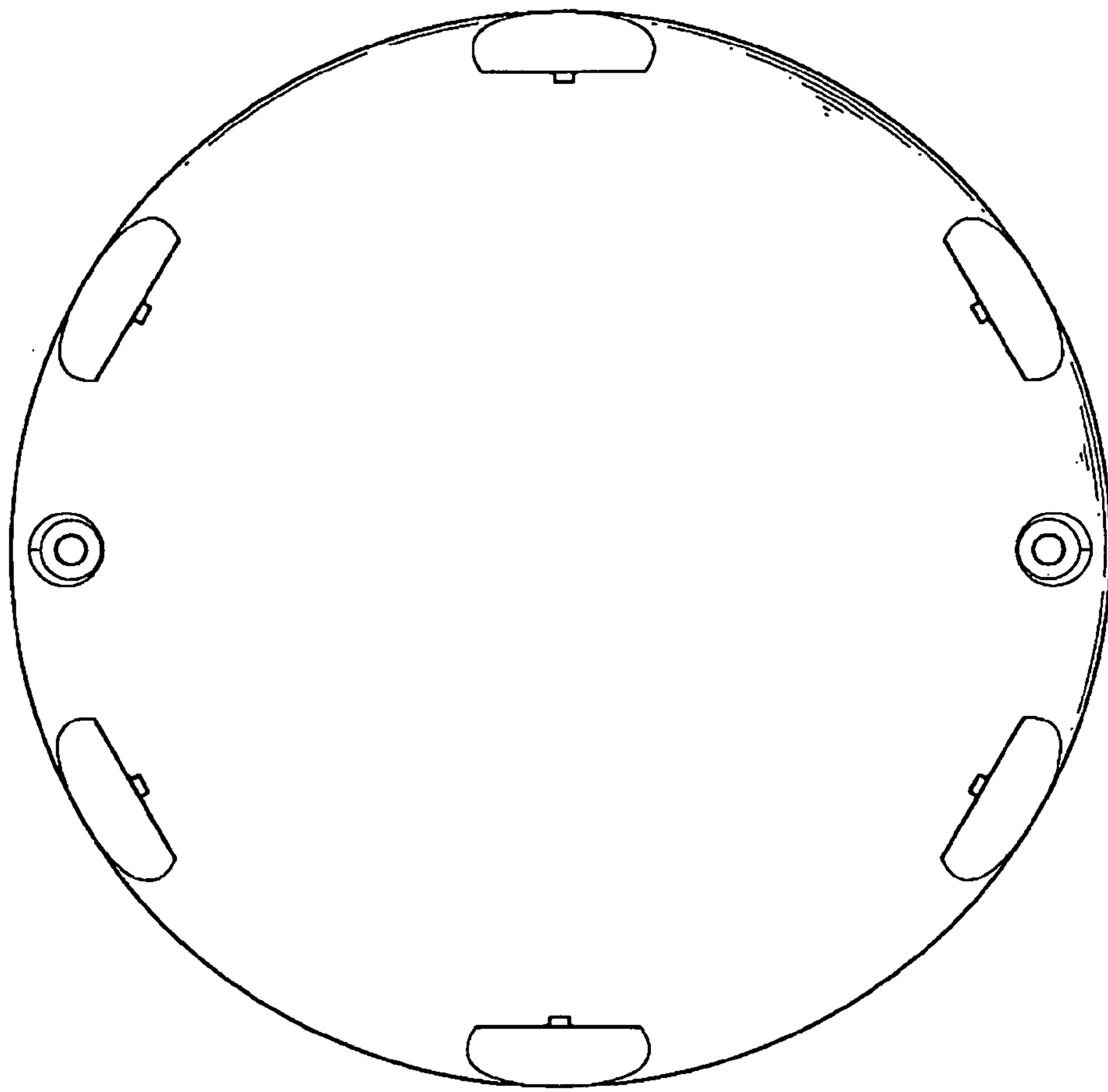


FIG. 6

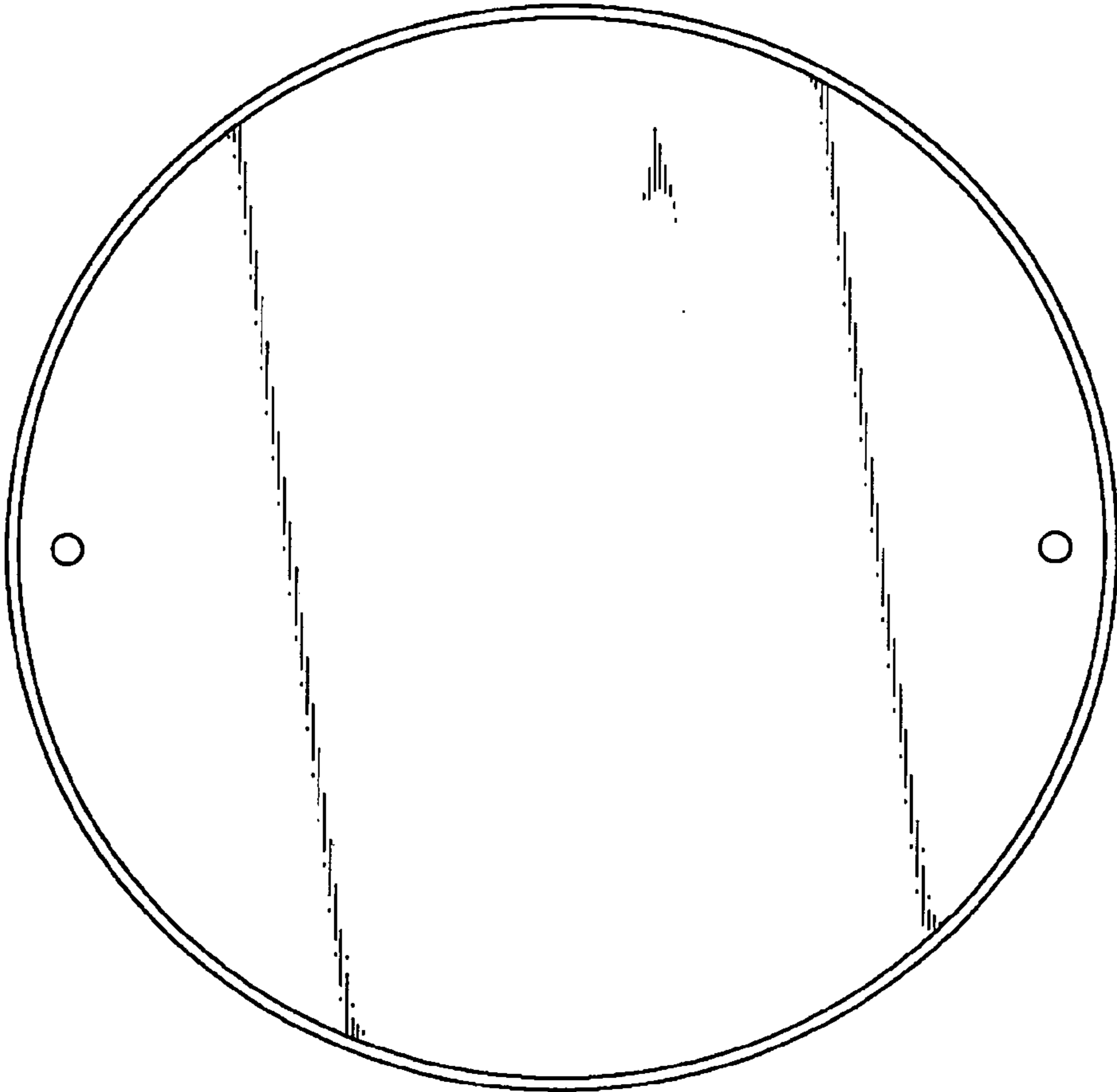


FIG. 7

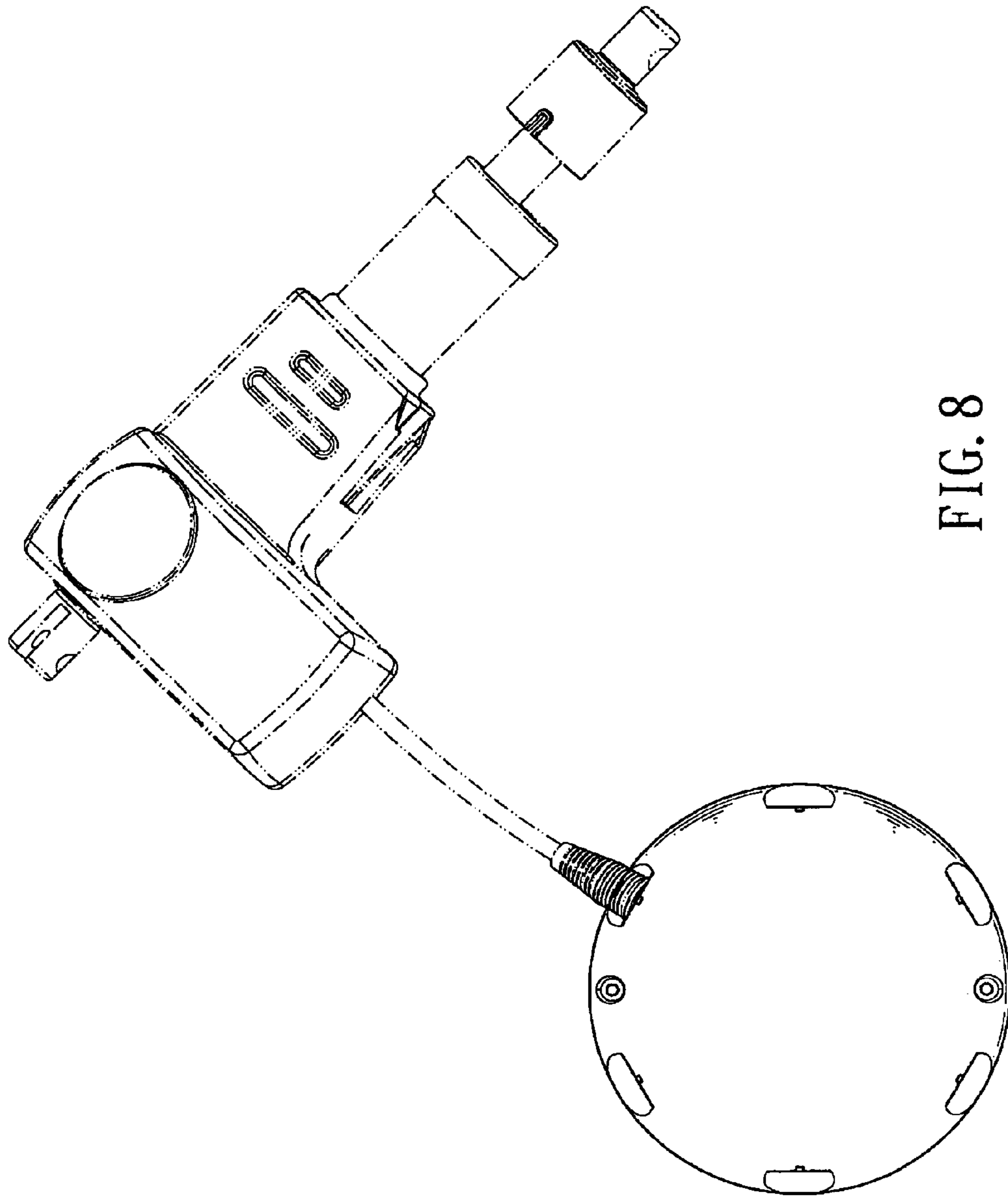


FIG. 8