



US00D563323S

(12) **United States Design Patent**
Henry

(10) **Patent No.:** **US D563,323 S**
(45) **Date of Patent:** **** Mar. 4, 2008**

(54) **SET OF CONNECTORS FOR A MODULAR CABLE PROTECTOR**

6,499,410 B1 * 12/2002 Berardi 104/275
D478,676 S * 8/2003 France D25/121
6,747,212 B1 * 6/2004 Henry 174/101

(76) Inventor: **Stephen K. Henry**, 3825 Northbrook Dr., #F, Boulder, CO (US) 80302

FOREIGN PATENT DOCUMENTS

WO WO 94/01907 1/1994

(**) Term: **14 Years**

OTHER PUBLICATIONS

(21) Appl. No.: **29/258,406**

Cable Guard Dropovers [online], [retrieved on Apr. 19, 2006]. Retrieved from the Internet <URL: <http://cableorganizer.com/cord-cover-elasco/>>.

(22) Filed: **Apr. 21, 2006**

(Continued)

(51) **LOC (8) Cl.** **13-03**

(52) **U.S. Cl.** **D13/155**

(58) **Field of Classification Search** D8/356;
D13/154-157, 184; 104/275; 138/106-107,
138/112-113, 116-117, 155-158, 162-163,
138/166-169, 174; 14/169.5; 174/101,
174/38, 68.1, 68.3, 72 A, 72 C, 75 R, 84 R,
174/91, 92, 95, 97, 135; 385/134, 136; 248/68.1;
403/293, 294

Primary Examiner—Robin V. Webster

Assistant Examiner—Rosemary K Tarcza

(74) *Attorney, Agent, or Firm*—Dorr, Carson & Birney, P.C.

See application file for complete search history.

(57) **CLAIM**

The ornamental design for set of connectors for a modular cable protector, as shown and described.

(56) **References Cited**

DESCRIPTION

U.S. PATENT DOCUMENTS

1,213,684 A * 1/1917 Osterholm 384/296
1,377,411 A * 5/1921 Douglas 138/156
4,490,422 A * 12/1984 Pascher 428/35.1
5,006,386 A * 4/1991 Menichini 428/58
5,095,822 A * 3/1992 Martin 104/275
5,267,367 A * 12/1993 Wegmann, Jr. 14/69.5
D412,490 S * 8/1999 Henry D13/155
D415,112 S * 10/1999 Henry D13/155
D415,471 S * 10/1999 Henry D13/155
D418,818 S * 1/2000 Henry D13/155
D429,695 S * 8/2000 Henry D13/155
D436,578 S * 1/2001 Henry D13/155
D437,832 S * 2/2001 Henry D13/155

FIG. 1 is a perspective view of a set of connectors for a modular cable protector showing my new design.

FIG. 2 is a top plan view thereof.

FIG. 3 is a right side elevational view thereof, with the left side elevational view being a mirror image of FIG. 3.

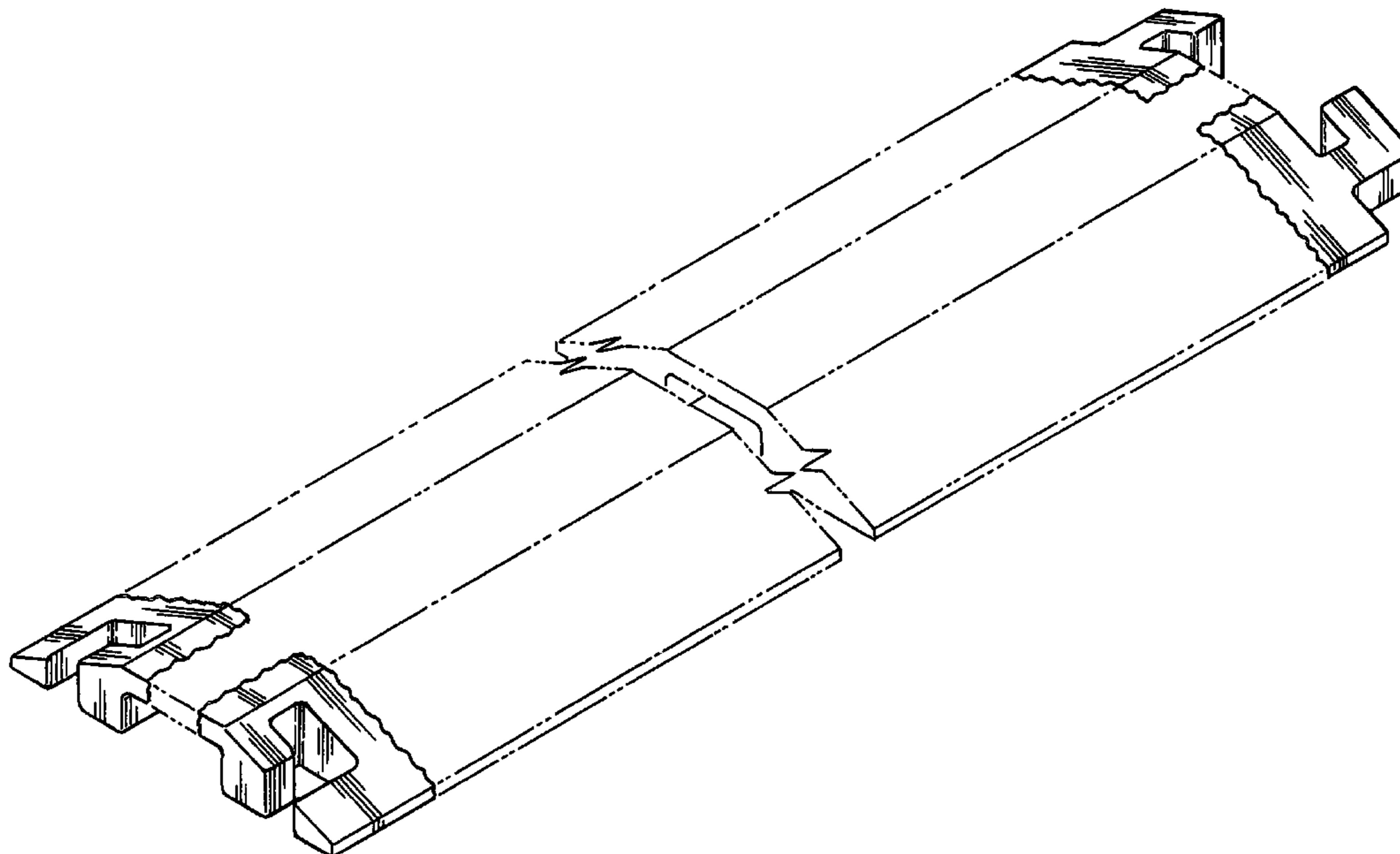
FIG. 4 is a bottom plan view thereof.

FIG. 5 is front elevational view thereof; and,

FIG. 6 is a rear elevational view thereof.

The broken line showing is included for the purpose of illustrating environmental features and forms no part of the claimed design.

1 Claim, 3 Drawing Sheets



OTHER PUBLICATIONS

Cable Protection, 2002, Peterson Systems International, Duarte, California.

Bumble Bee Cable Protector [online], [retrieved on Apr. 3, 2006]. Retrieved from the Internet <URL: <http://cableorganizer.com/cable-protector-bb/>>.

Light Duty Cable Protection for Indoor and Outdoor Use, Peterson Systems International, Duarte, California.

GMep-Molpass CAPA 100, GMep-Molpass s.a.a., Italy.

Defender MIDI, 2004, TCH Sales Inc., Toronto, Ontario, Canada.

TrukTrak Modular Cable Protection System, Hubbell Incorporated, Bridgeport, CT.

Elasco Inc. Cable Guards [online], [retrieved on Apr. 19, 2006]. Retrieved from the Internet <URL: <http://www.elascourethane.com/cableguards.htm>>.

Elasco Inc. Dropovers [online], [retrieved on Apr. 19, 2006]. Retrieved from the Internet <URL: <http://www.elascourethane.com/dropovers.htm>>.

* cited by examiner

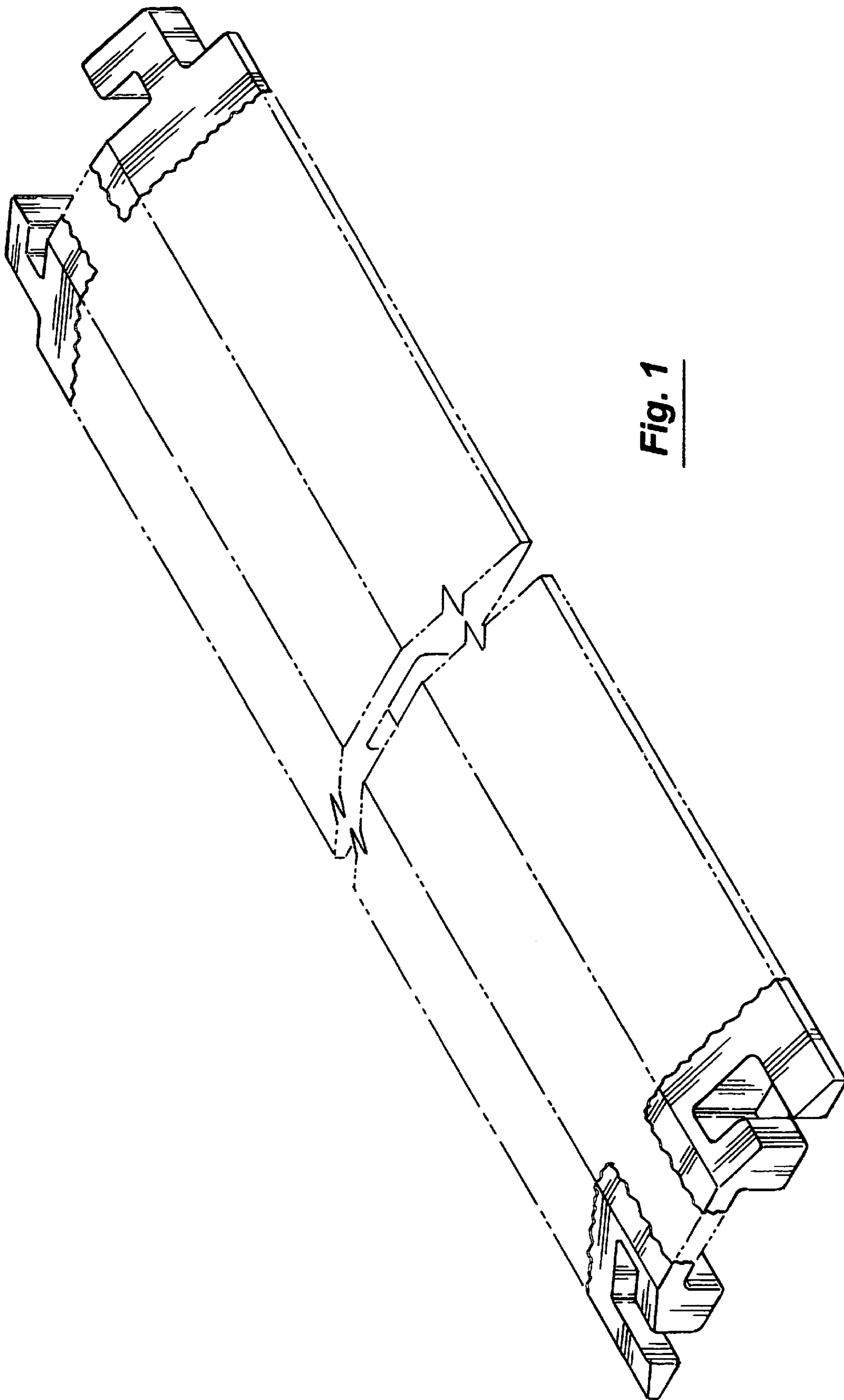


Fig. 1

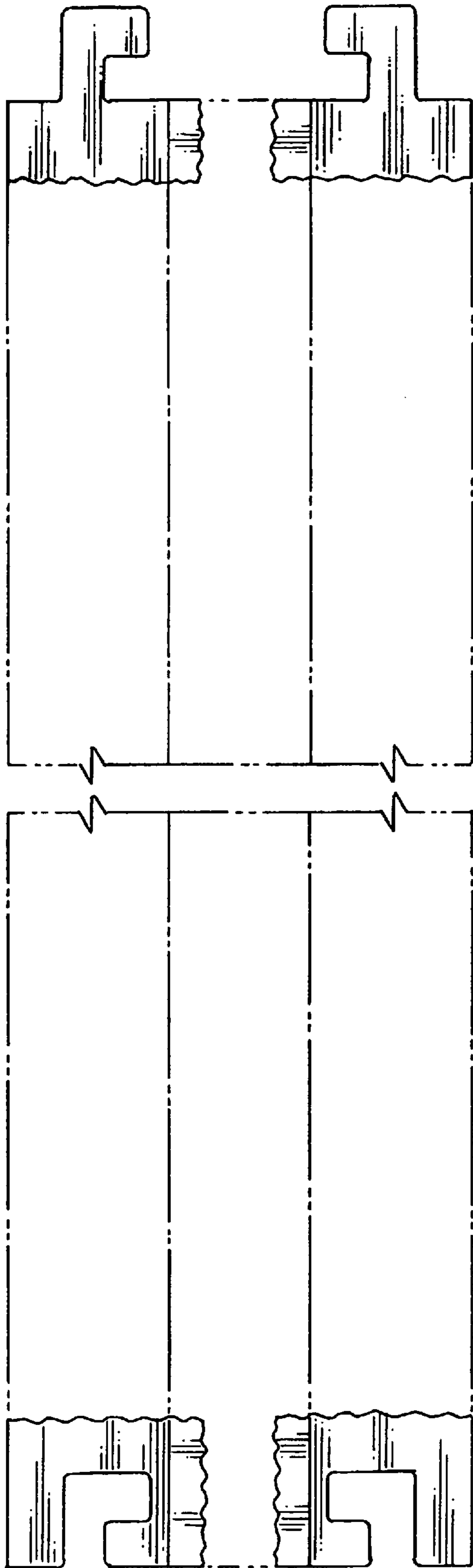


Fig. 2

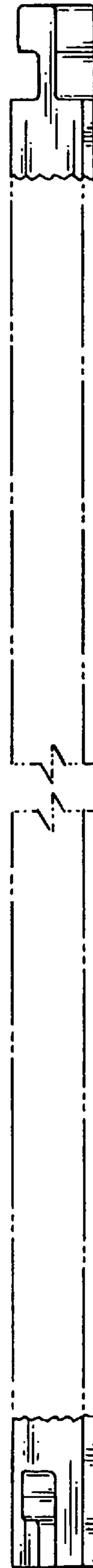


Fig. 3

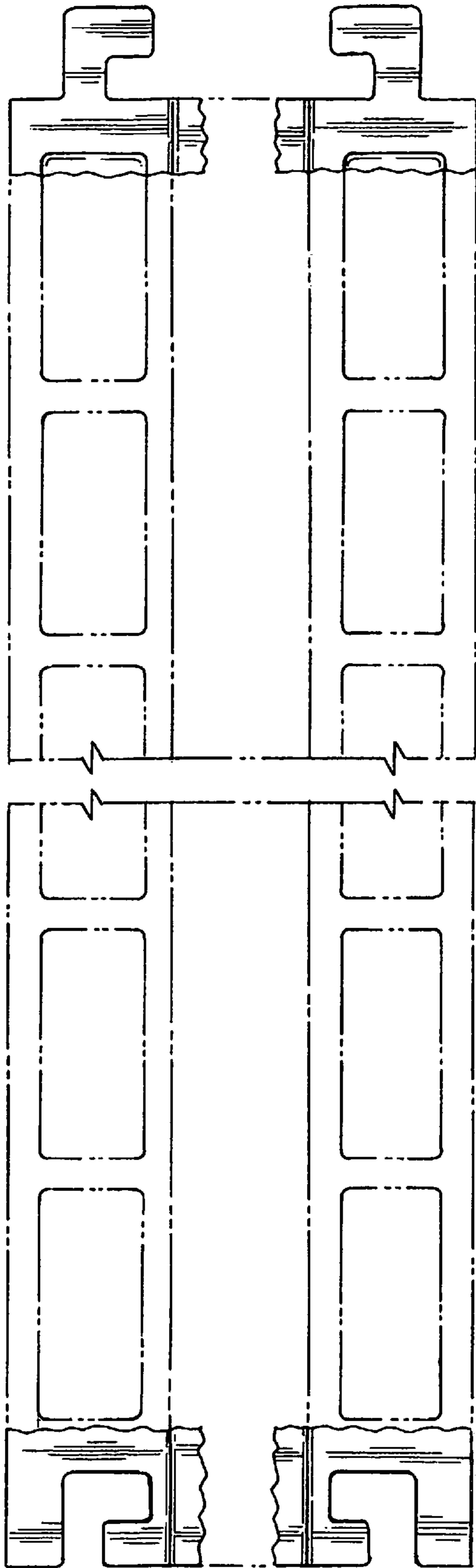


Fig. 4



Fig. 5



Fig. 6