



US00D563322S

(12) **United States Design Patent**
Ma

(10) **Patent No.:** **US D563,322 S**

(45) **Date of Patent:** **** Mar. 4, 2008**

(54) **ELECTRICAL CONNECTOR**

(75) Inventor: **Zhong-Jun Ma**, ShenZhen (CN)

(73) Assignee: **Hon Hai Precision Ind. Co., Ltd.**,
Taipei Hsien (TW)

(**) Term: **14 Years**

(21) Appl. No.: **29/286,882**

(22) Filed: **May 21, 2007**

(30) **Foreign Application Priority Data**

Nov. 24, 2006 (CN) 2006 3 019304

(51) **LOC (8) Cl.** **13-03**

(52) **U.S. Cl.** **D13/146; D13/147; D13/133**

(58) **Field of Classification Search** D13/133,
D13/146-147, 154, 184; D14/432-434,
D14/436, 438; 439/64, 79, 159-160, 607-610,
439/629-630, 636, 660

See application file for complete search history.

(56) **References Cited**

U.S. PATENT DOCUMENTS

D455,126 S * 4/2002 Wu D13/147
D485,807 S * 1/2004 Kao et al. D13/133

D486,448 S * 2/2004 Watanabe et al. D13/120
D529,443 S * 10/2006 Chien D13/147
D535,617 S * 1/2007 Yoneyama et al. D13/133
D538,228 S * 3/2007 Wang et al. D13/146

* cited by examiner

Primary Examiner—Daniel Bui

(74) *Attorney, Agent, or Firm*—Wei Te Chung

(57) **CLAIM**

The ornamental design for an electrical connector, as shown and described.

DESCRIPTION

FIG. 1 is a front, top and left side perspective view of an electrical connector, showing my new design;

FIG. 2 is a front elevational view thereof;

FIG. 3 is a rear elevational view thereof;

FIG. 4 is a left side elevational view thereof;

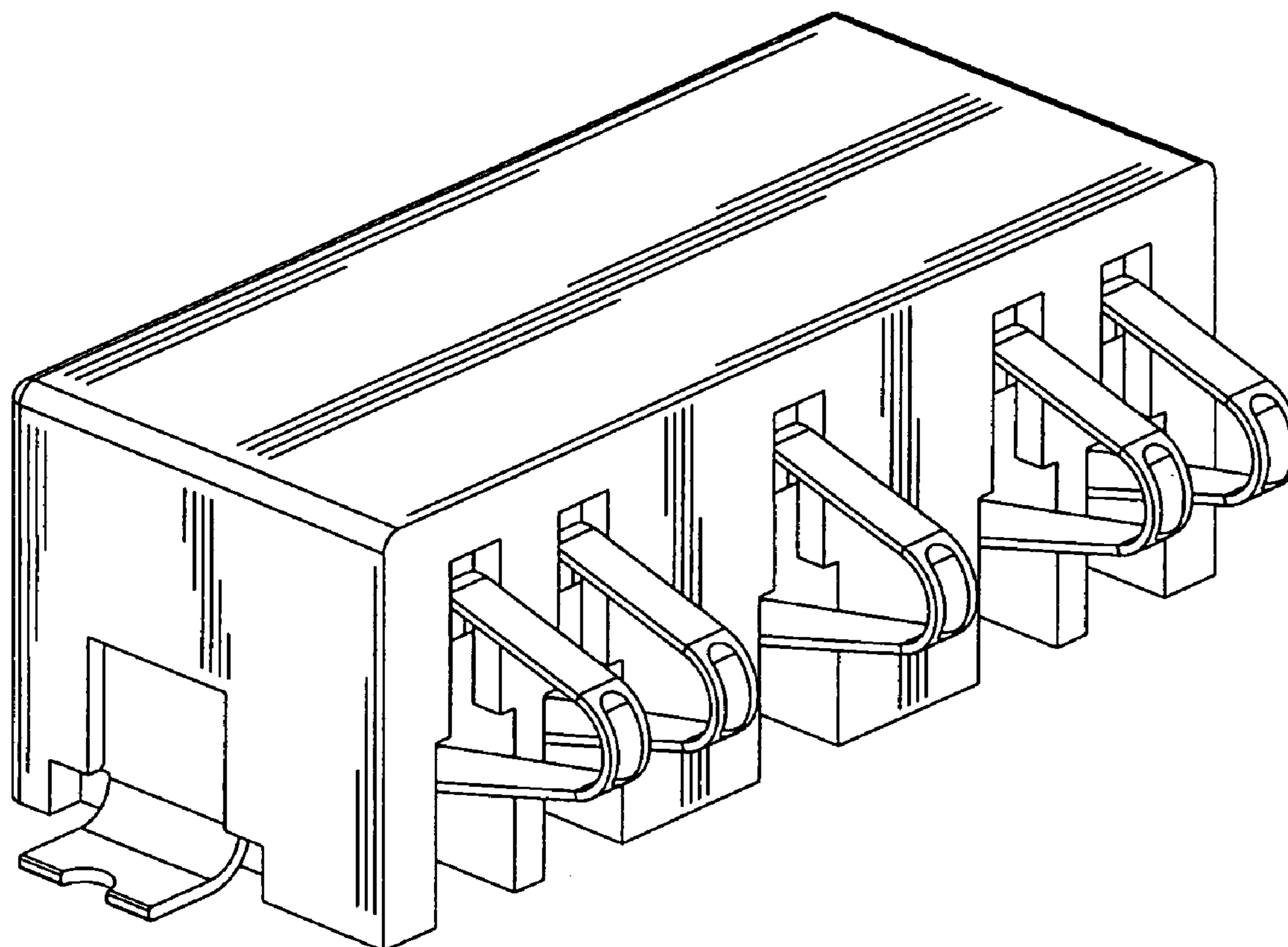
FIG. 5 is a right side elevational view thereof;

FIG. 6 is a top plan view thereof; and,

FIG. 7 is a bottom plan view thereof.

The broken line showing of the environment is for illustrative purposes only and forms no part of the claimed design.

1 Claim, 7 Drawing Sheets



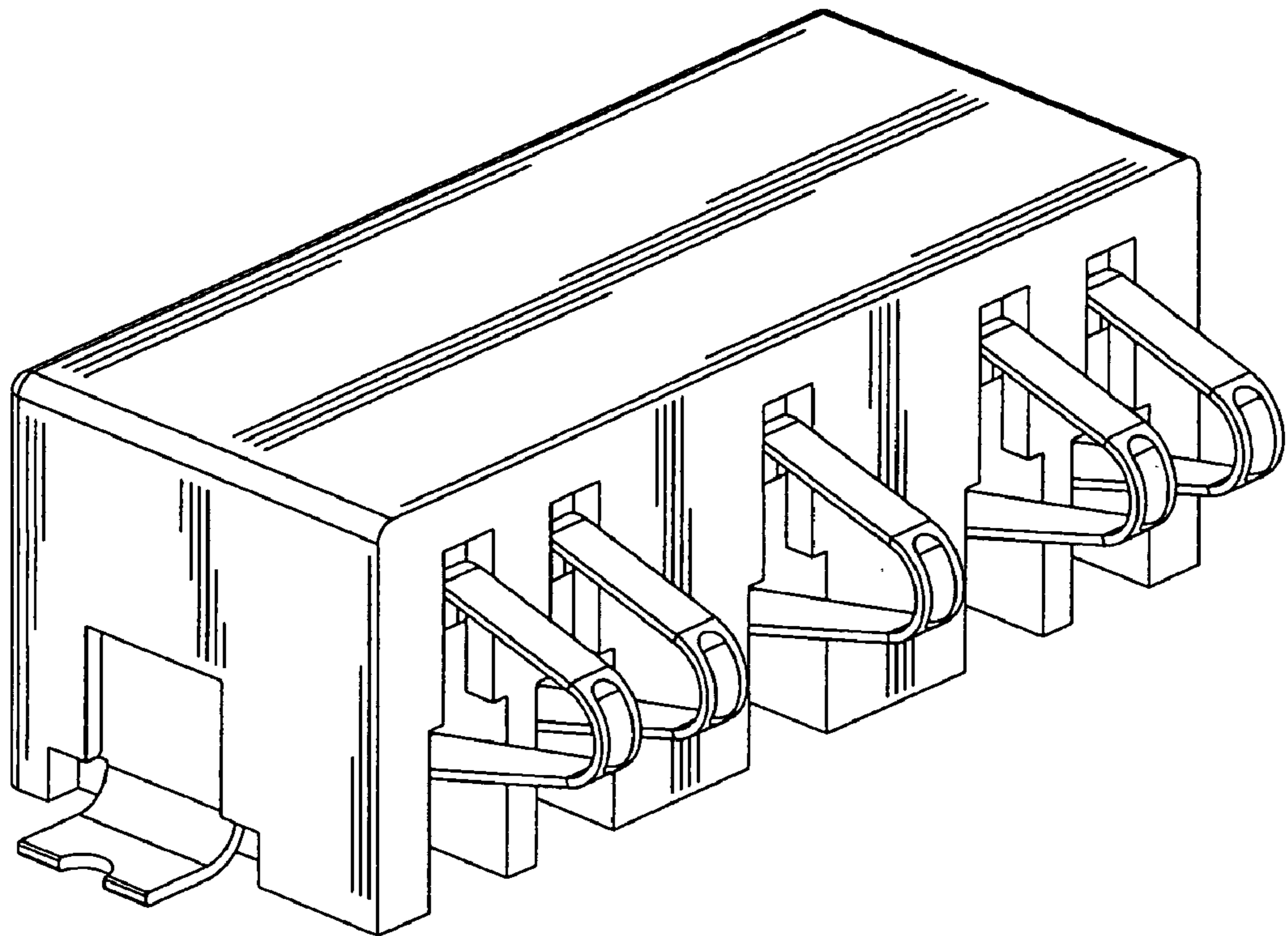


FIG. 1

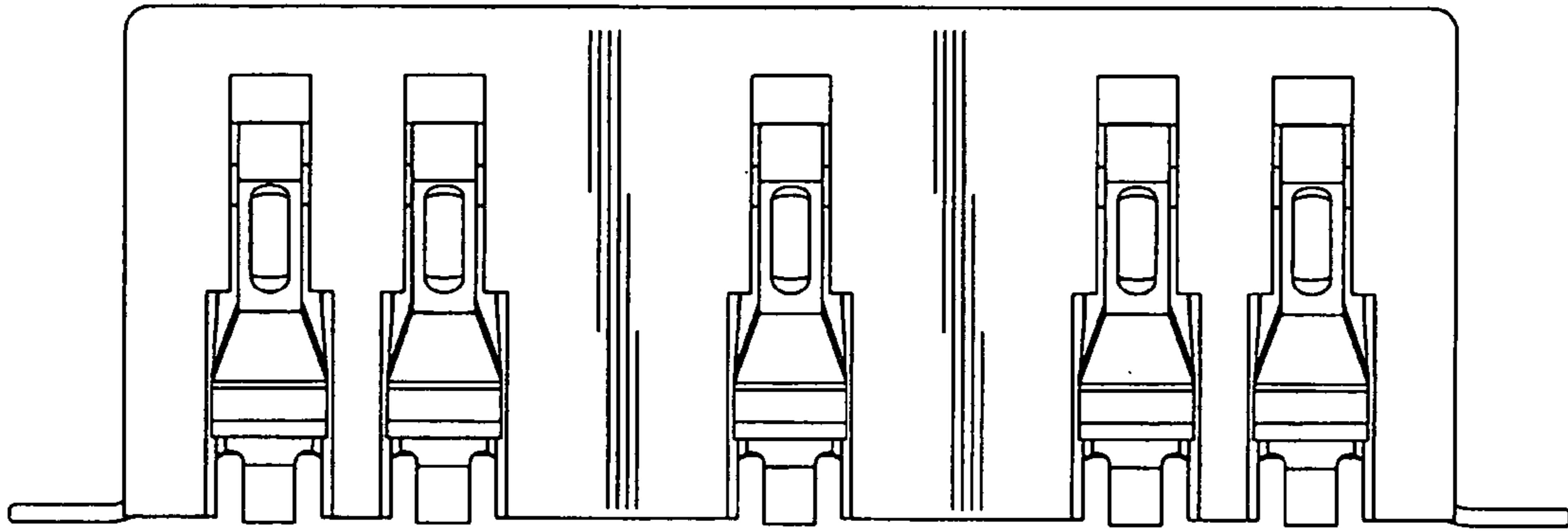


FIG. 2

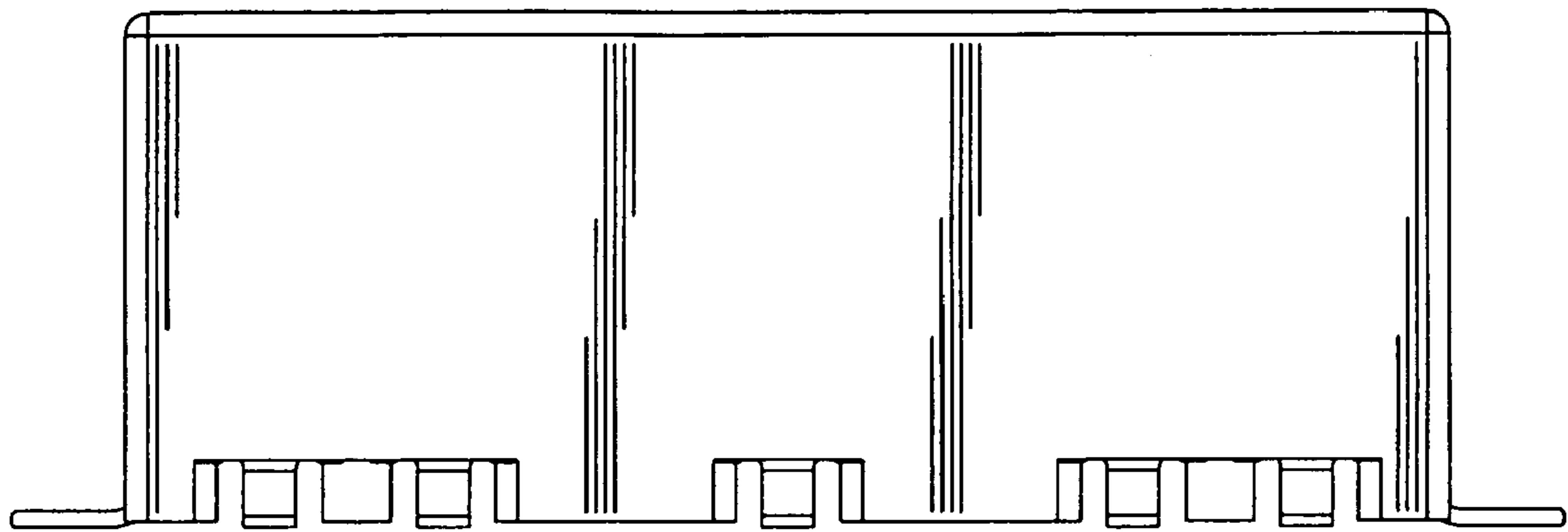


FIG. 3

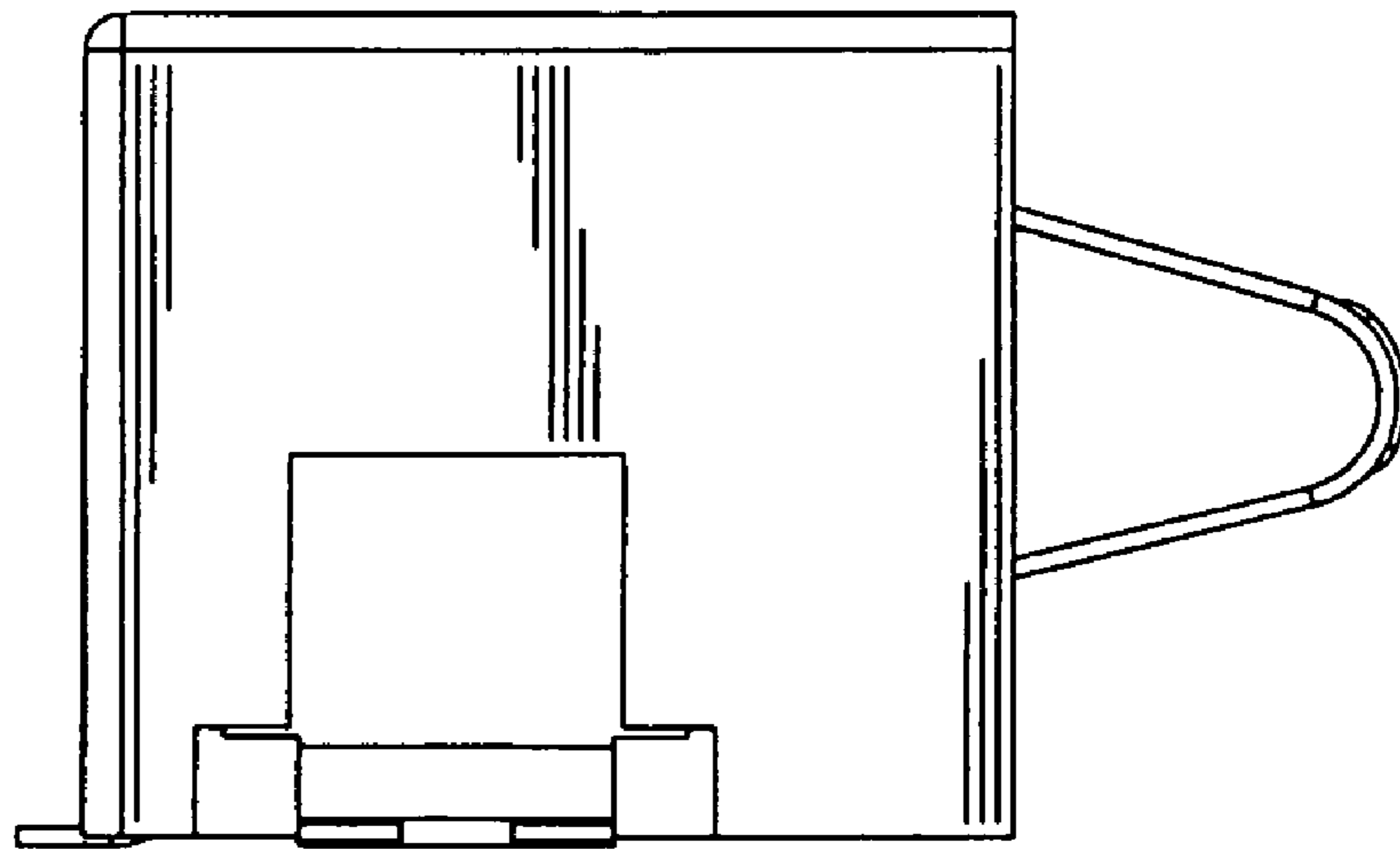


FIG. 4

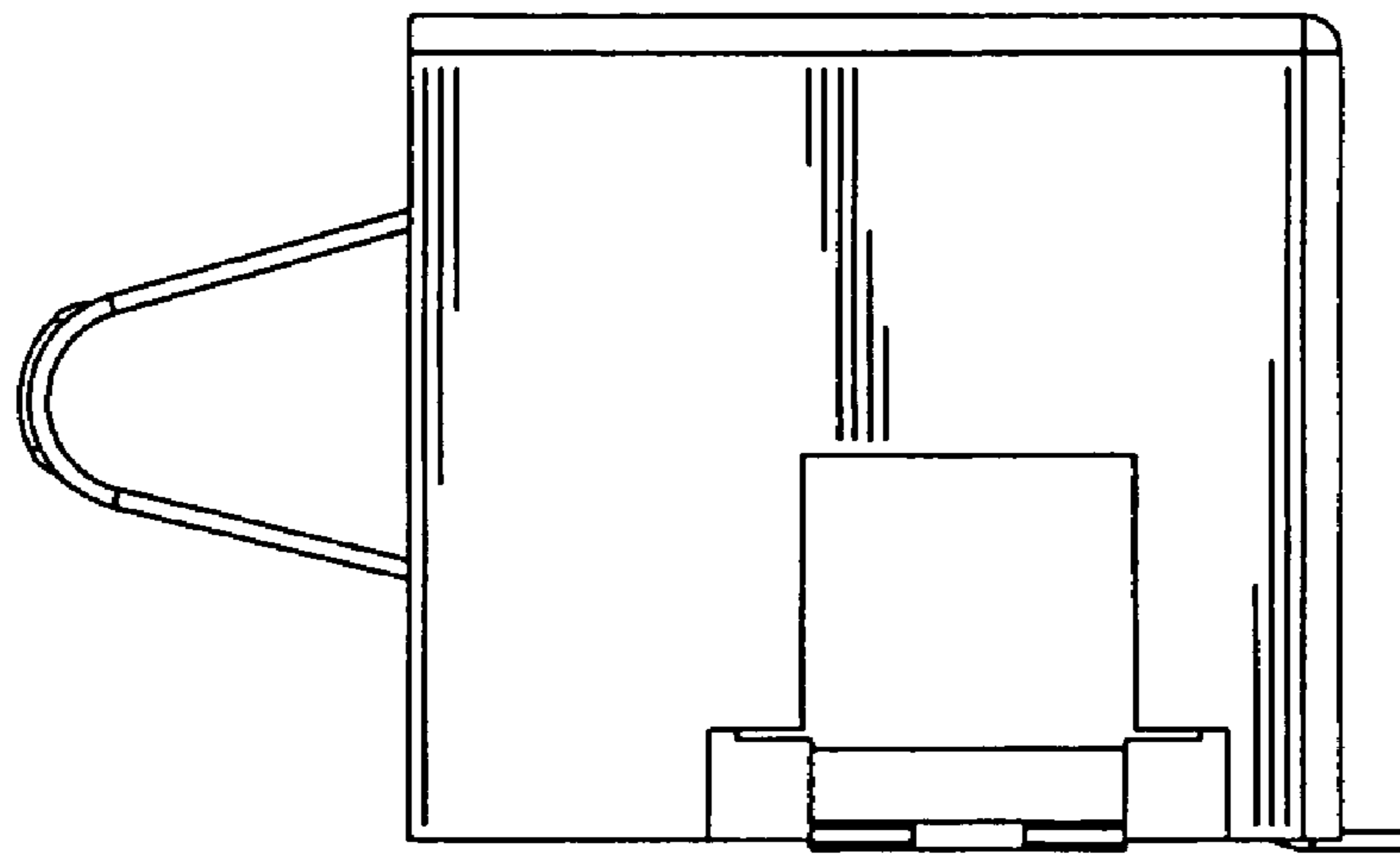


FIG. 5

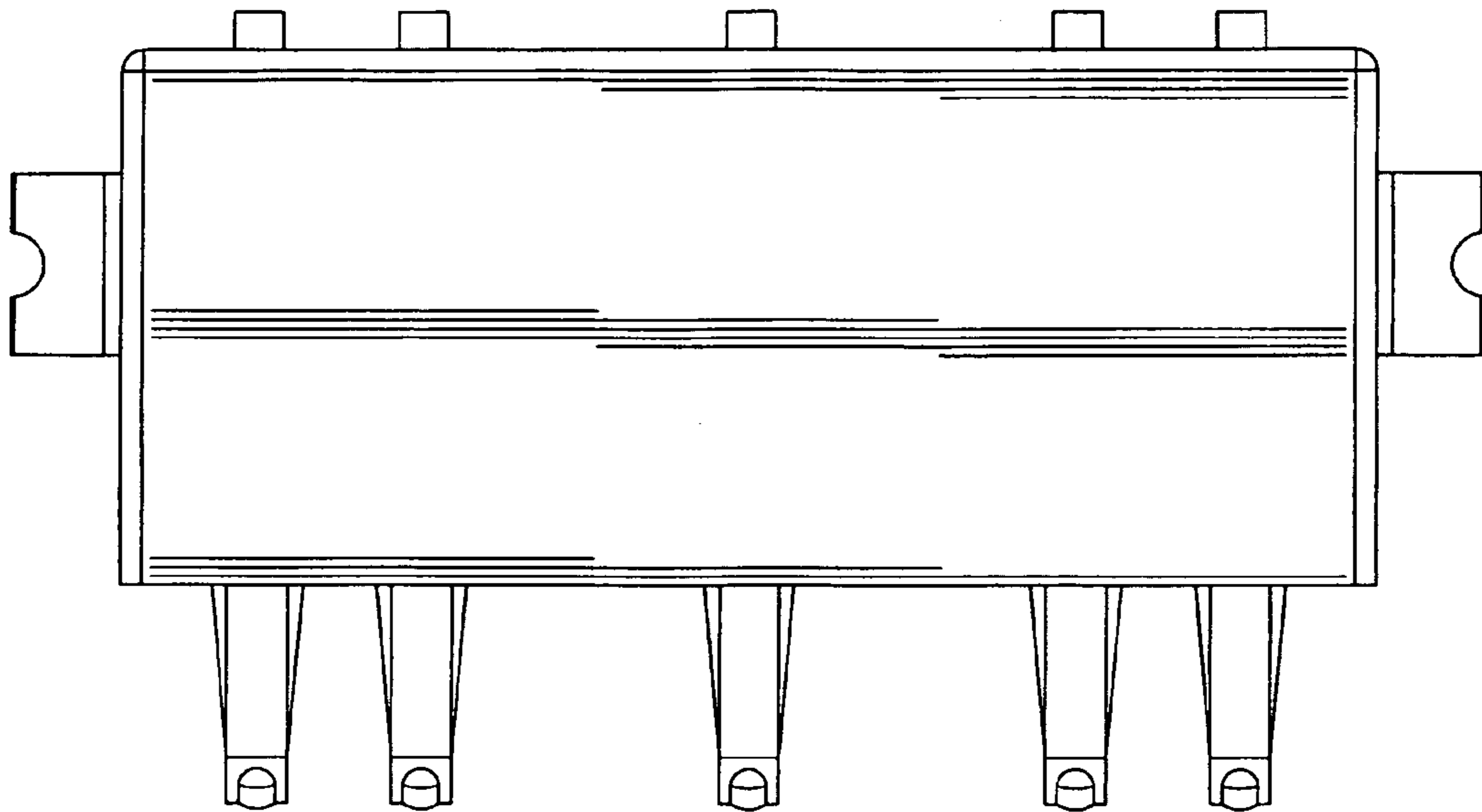


FIG. 6

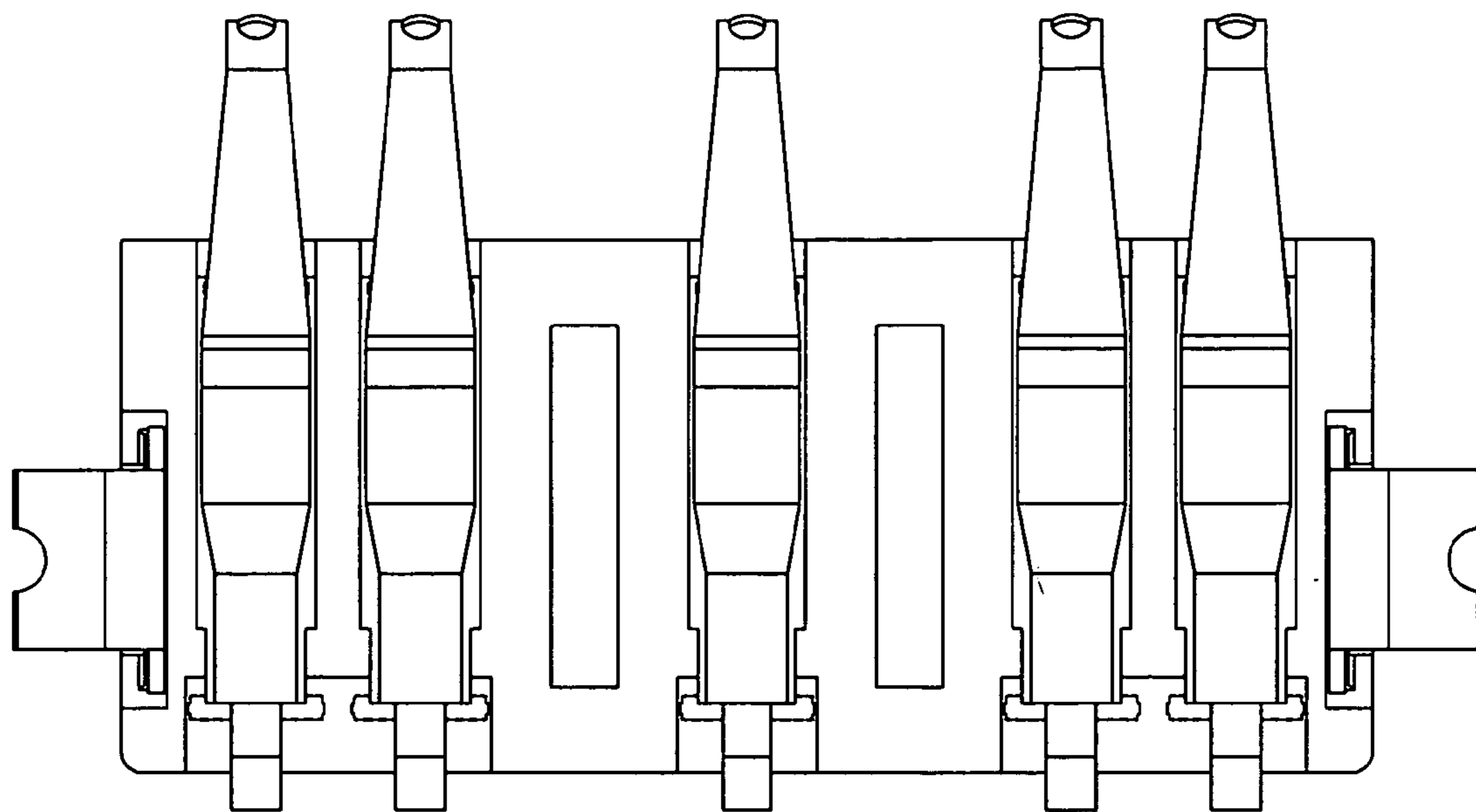


FIG. 7