

US00D563321S

(12) **United States Design Patent**  
**Kondas**

(10) **Patent No.:** **US D563,321 S**  
(45) **Date of Patent:** **\*\* Mar. 4, 2008**

(54) **LOW PROFILE CONNECTOR ASSEMBLY**

(75) Inventor: **Shawn J. Kondas**, Kendallville, IN  
(US)

(73) Assignee: **Pent Technologies, Inc.**, Kendallville,  
IN (US)

(\*\*) Term: **14 Years**

(21) Appl. No.: **29/251,758**

(22) Filed: **Jan. 12, 2006**

(51) **LOC (8) Cl.** ..... **13-03**

(52) **U.S. Cl.** ..... **D13/133; D13/147**

(58) **Field of Classification Search** ..... D13/133,  
D13/146, 147, 154, 184, 199; 439/353-354,  
439/357-358, 660, 677, 680-682  
See application file for complete search history.

(56) **References Cited**

**U.S. PATENT DOCUMENTS**

D310,993 S *	10/1990	Ohkura et al.	.....	D13/146
6,558,185 B1 *	5/2003	Stockel et al.	.....	439/465
D510,908 S *	10/2005	Byrne	.....	D13/147
D524,742 S *	7/2006	Kumagai	.....	D13/147
7,108,532 B2 *	9/2006	Lubkert	.....	439/251

D529,444 S *	10/2006	Kudo	.....	D13/147
7,205,487 B1 *	4/2007	Plattner	.....	174/480
2001/0000161 A1 *	4/2001	Laity	.....	439/676

\* cited by examiner

*Primary Examiner*—Daniel Bui  
(74) *Attorney, Agent, or Firm*—Taylor & Aust, P.C.

(57) **CLAIM**

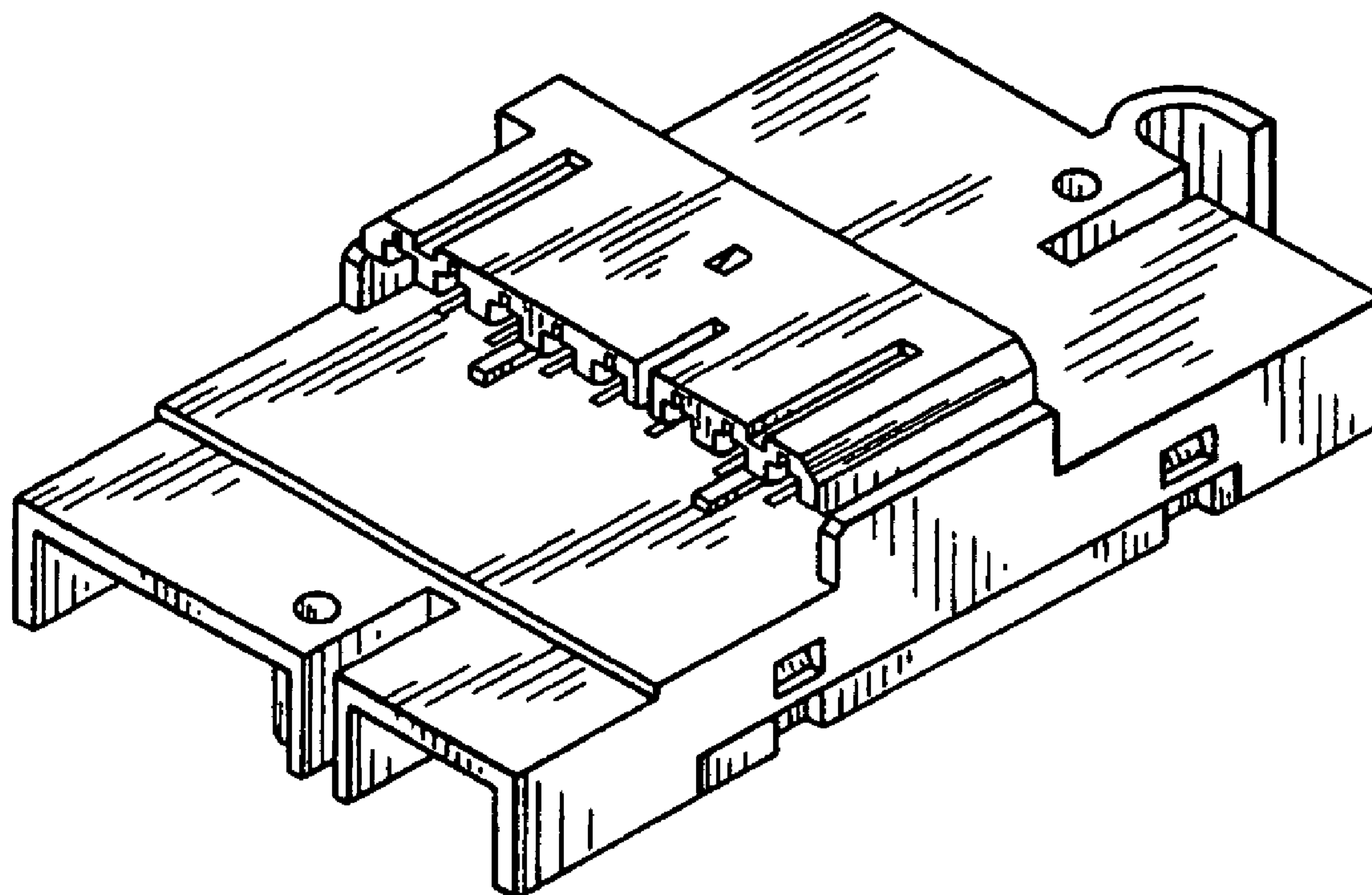
The ornamental design for a low profile connector assembly,  
as shown and described.

**DESCRIPTION**

FIG. 1 is a perspective view of a low profile connector  
assembly showing my new design;  
FIG. 2 is a top view thereof;  
FIG. 3 is a side view thereof  
FIG. 4 is a bottom view thereof;  
FIG. 5 is another side view thereof; and,  
FIG. 6 is a front view thereof.

The broken line showing of the environment is for illustra-  
tive purposes only and forms no part of the claimed design.

**1 Claim, 2 Drawing Sheets**



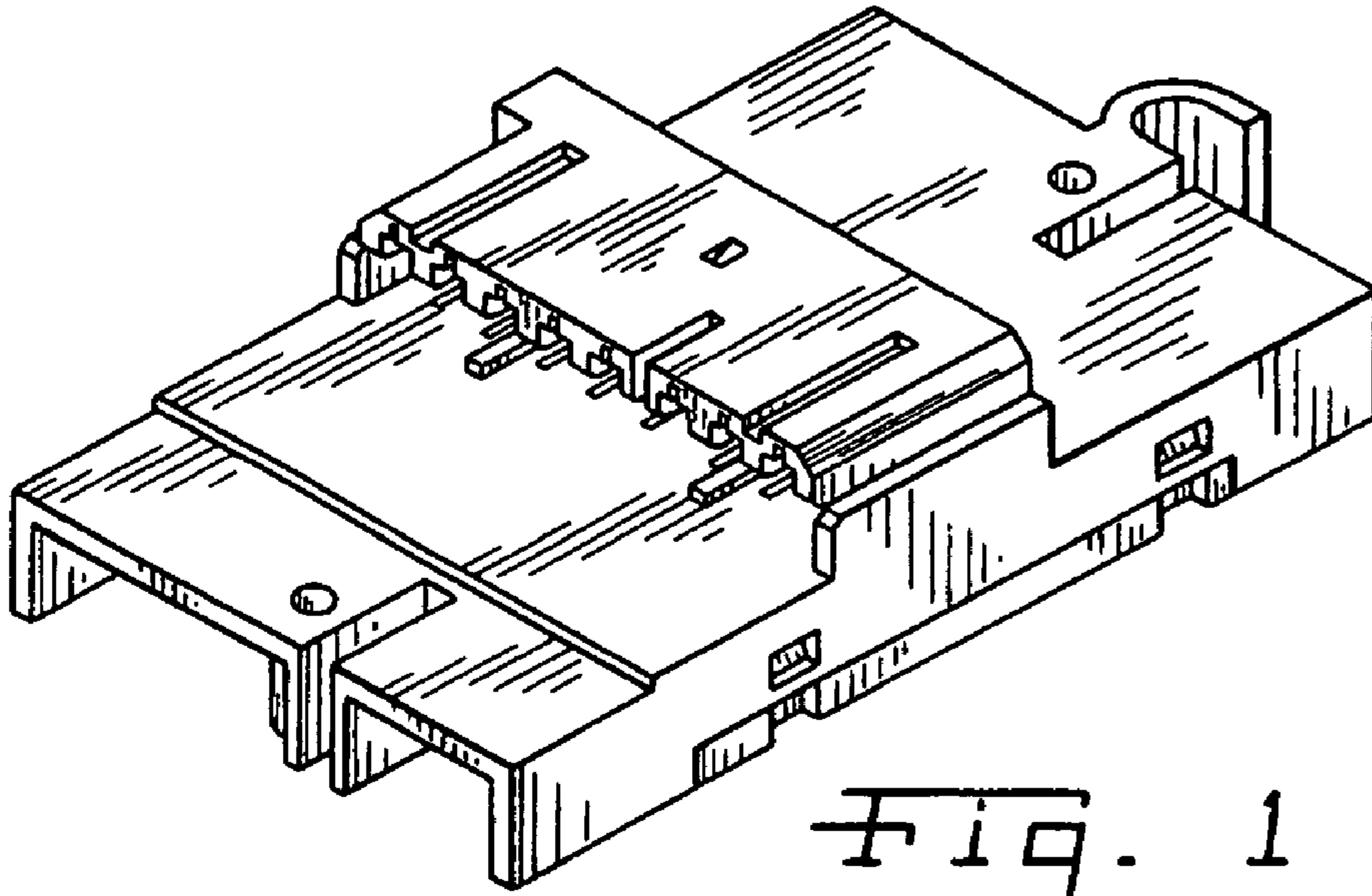


Fig. 1

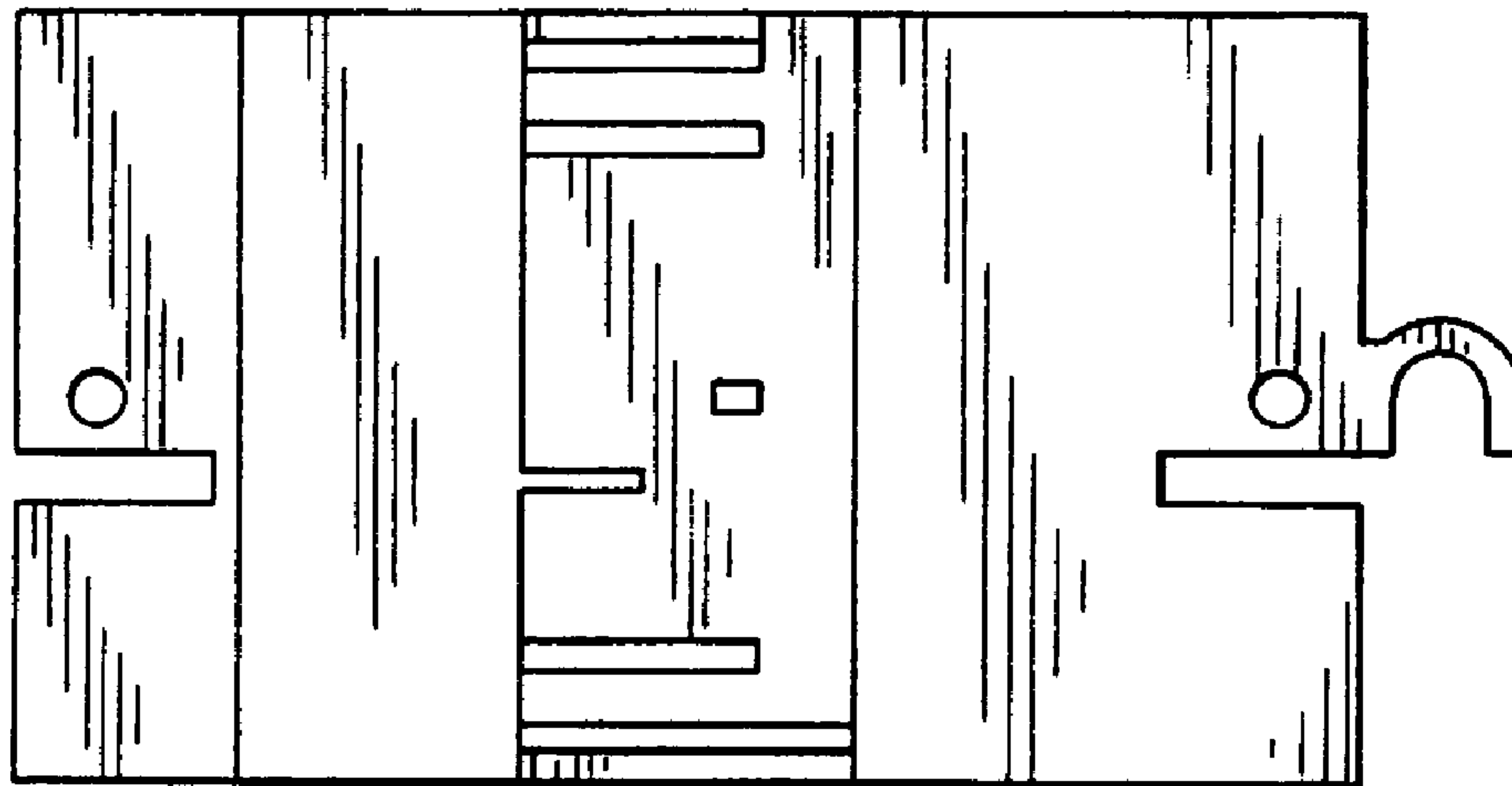


Fig. 2

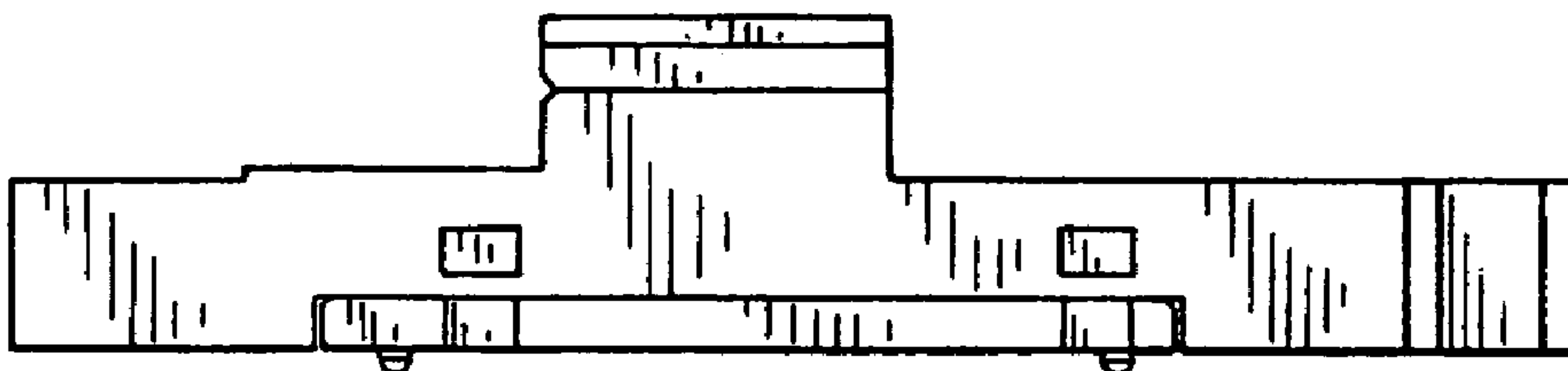


Fig. 3

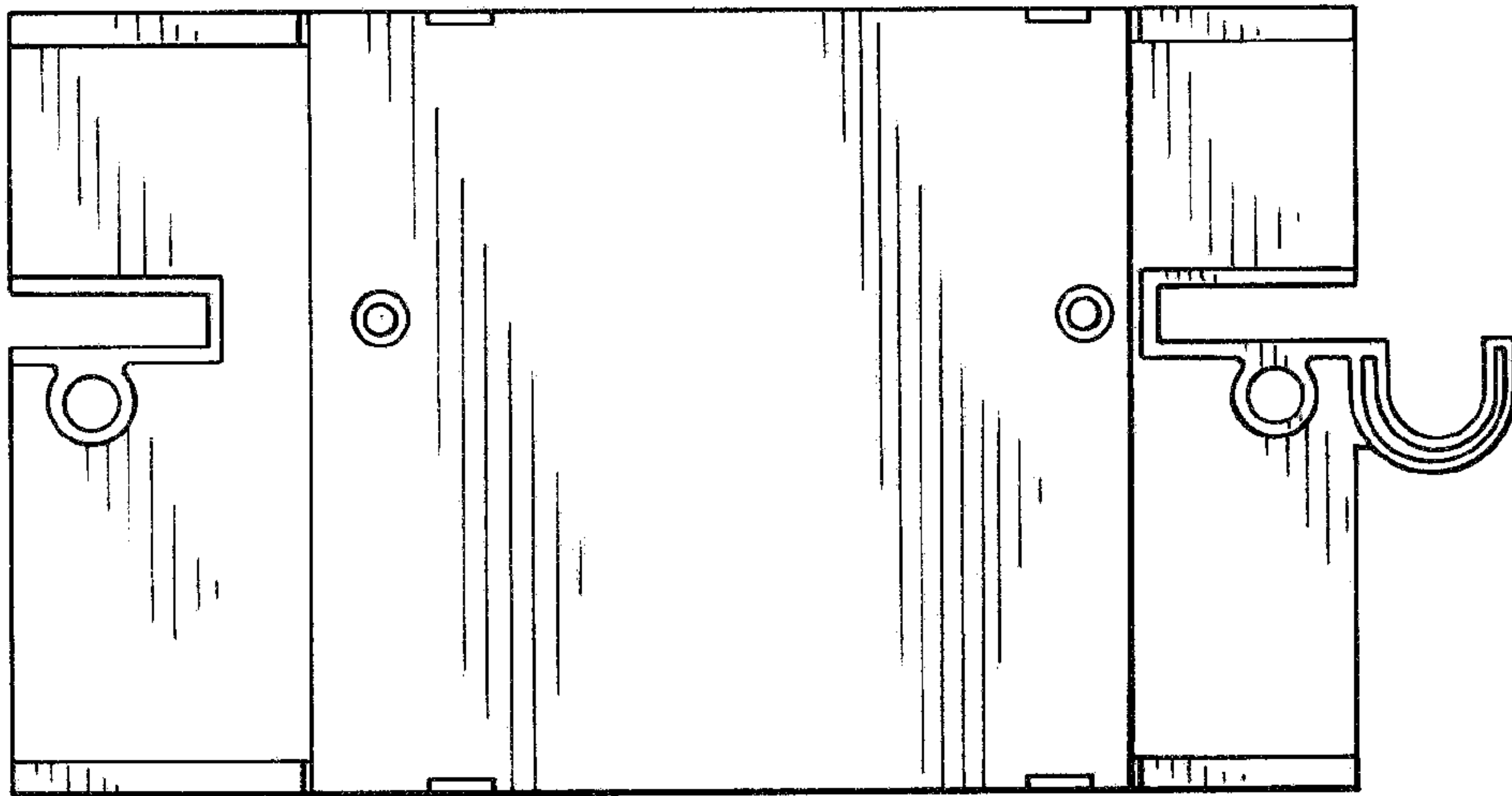


Fig. 4

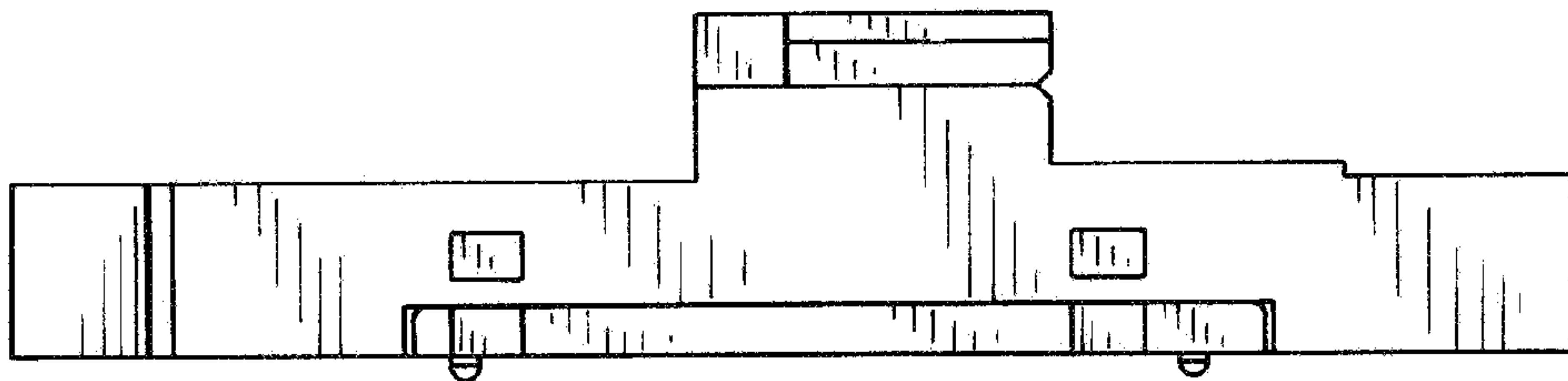


Fig. 5

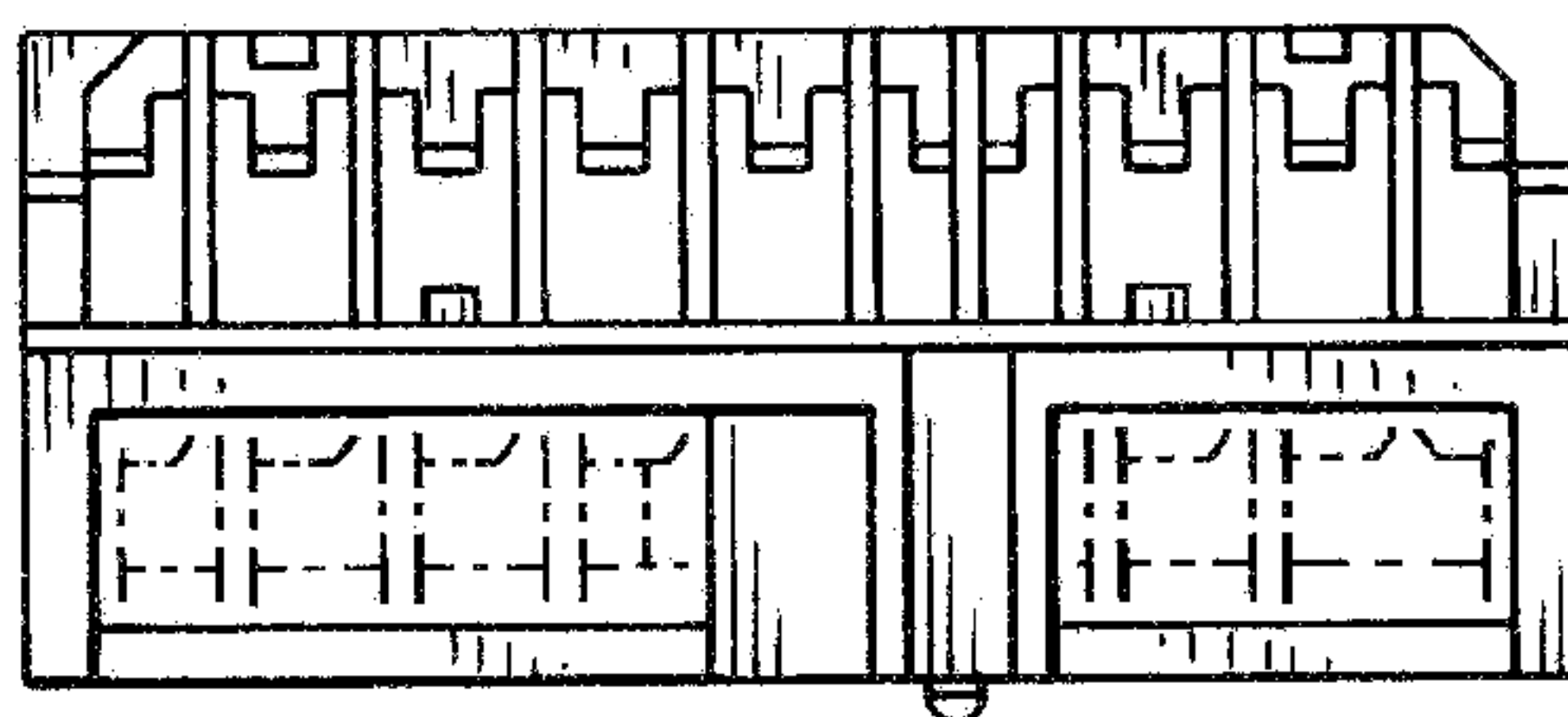


Fig. 6