



US00D563320S

(12) **United States Design Patent**
Buck

(10) **Patent No.:** **US D563,320 S**
(45) **Date of Patent:** **** Mar. 4, 2008**

(54) **PORTABLE ELECTRIC GENERATOR**

6,750,556 B2 * 6/2004 Sodemann et al. 290/1 A
D494,929 S * 8/2004 Imai D13/116
D509,795 S * 9/2005 Buck D13/116

(75) Inventor: **John E. Buck**, Cockeysville, MD (US)

(73) Assignee: **Black & Decker Inc.**, Newark, DE (US)

(**) Term: **14 Years**

(21) Appl. No.: **29/250,358**

(22) Filed: **Nov. 10, 2006**

(51) **LOC (8) Cl.** **13-01**

(52) **U.S. Cl.** **D13/116**

(58) **Field of Classification Search** D13/116,
D13/112, 113, 114, 122, 199; 123/2, 3, 1 A,
123/1 B, 1 R; 307/152, 153; 310/89
See application file for complete search history.

(56) **References Cited**

U.S. PATENT DOCUMENTS

D276,997 S * 1/1985 Mikado D13/116
D277,954 S * 3/1985 Mizushima D13/114
D278,425 S * 4/1985 Toshihiko D13/116
D293,904 S * 1/1988 Murakami et al. D13/116
6,181,019 B1 * 1/2001 Frank 290/1 A
D489,327 S * 5/2004 Imai D13/116

* cited by examiner

Primary Examiner—Prabhakar Deshmukh

Assistant Examiner—Derrick Holland

(74) *Attorney, Agent, or Firm*—Michael P. Leary; Charles E. Yocum; Adan Ayala

(57) **CLAIM**

The ornamental design for a portable electric generator, as shown and described.

DESCRIPTION

FIG. 1 is a right/side perspective view of a portable electric generator showing my new design.

FIG. 2 is a rear view thereof.

FIG. 3 is a front view thereof.

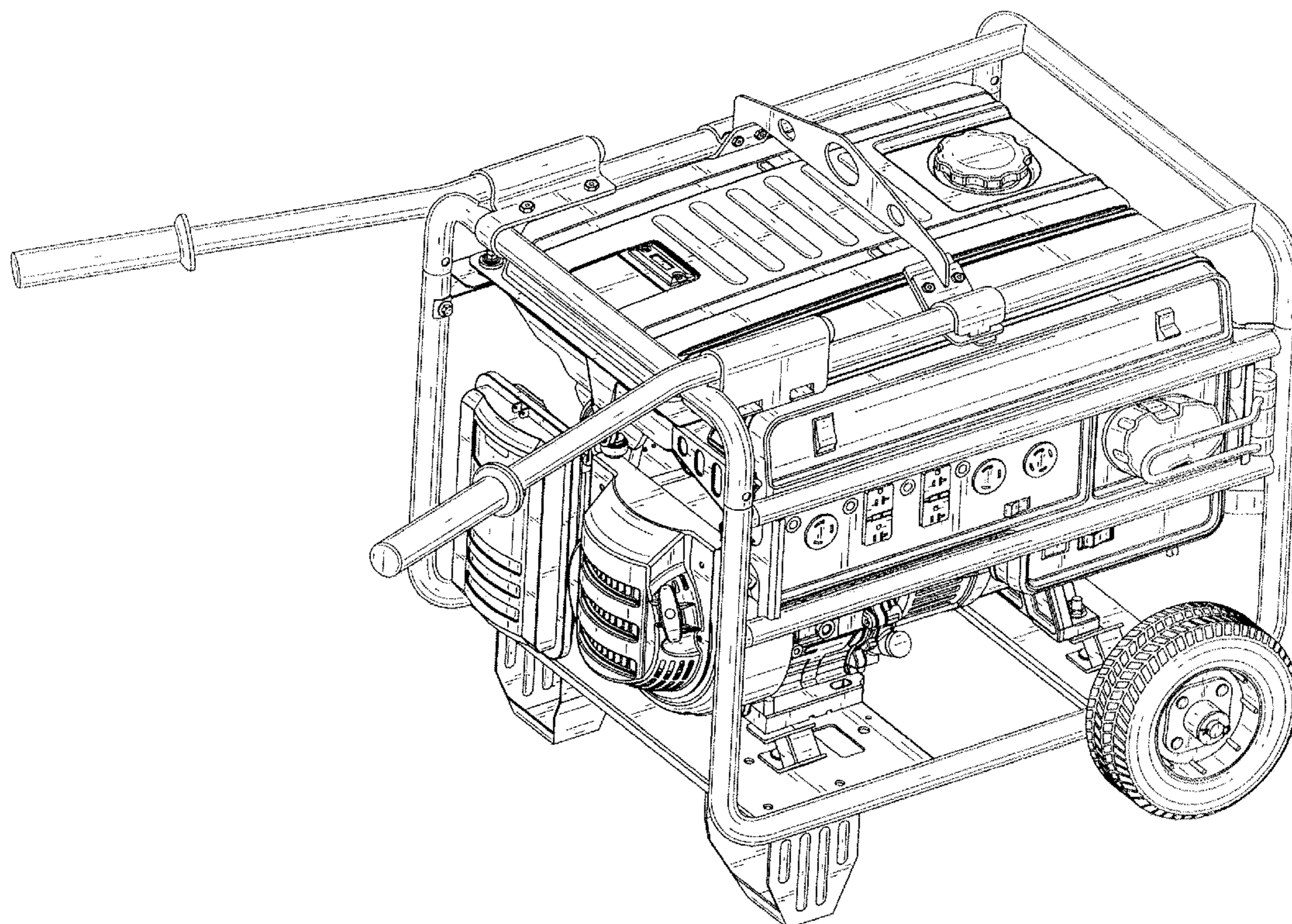
FIG. 4 is a left side view thereof.

FIG. 5 is a right side view thereof.

FIG. 6 is a top view thereof; and,

FIG. 7 is a bottom view thereof.

1 Claim, 7 Drawing Sheets



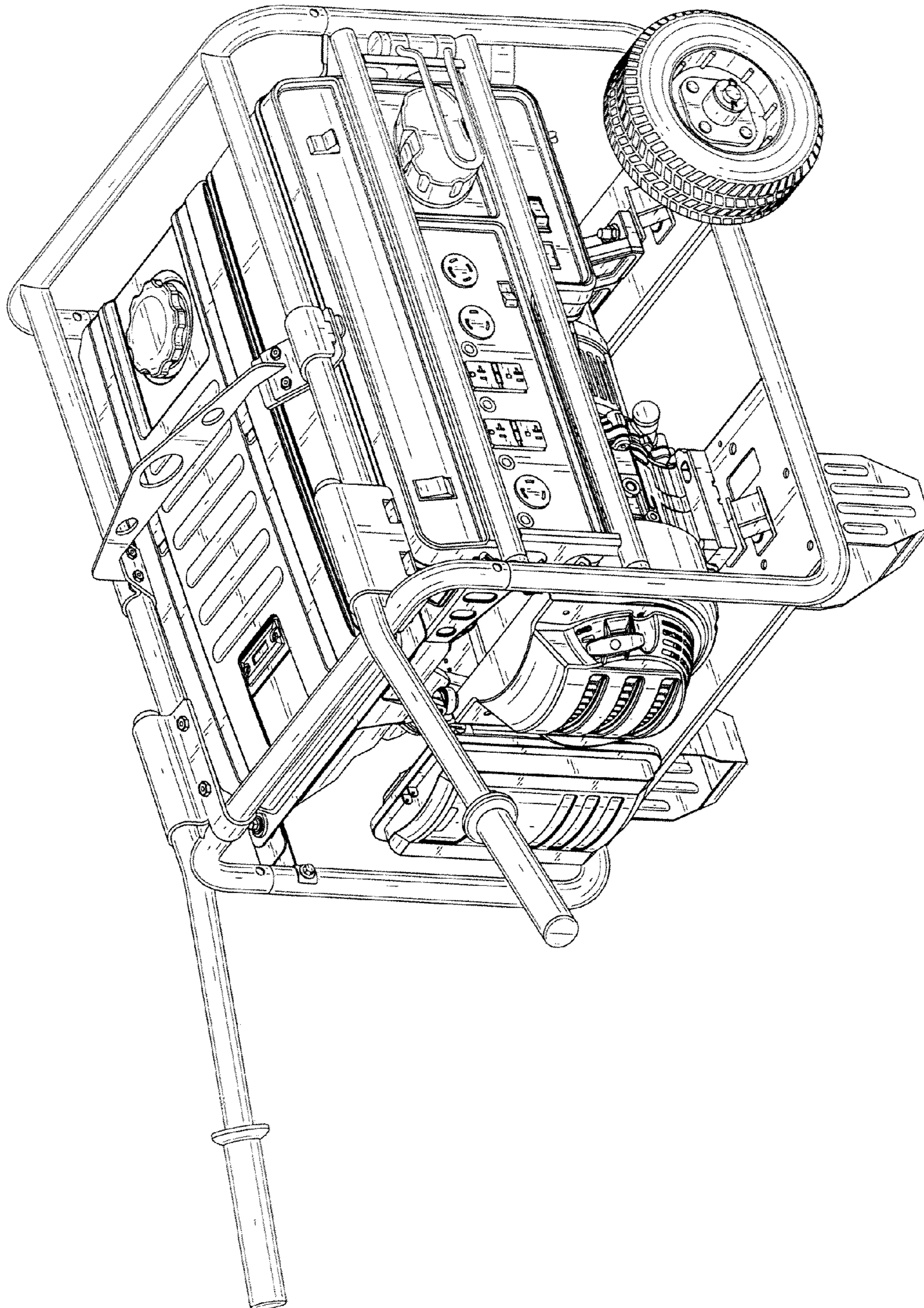


FIG. 1

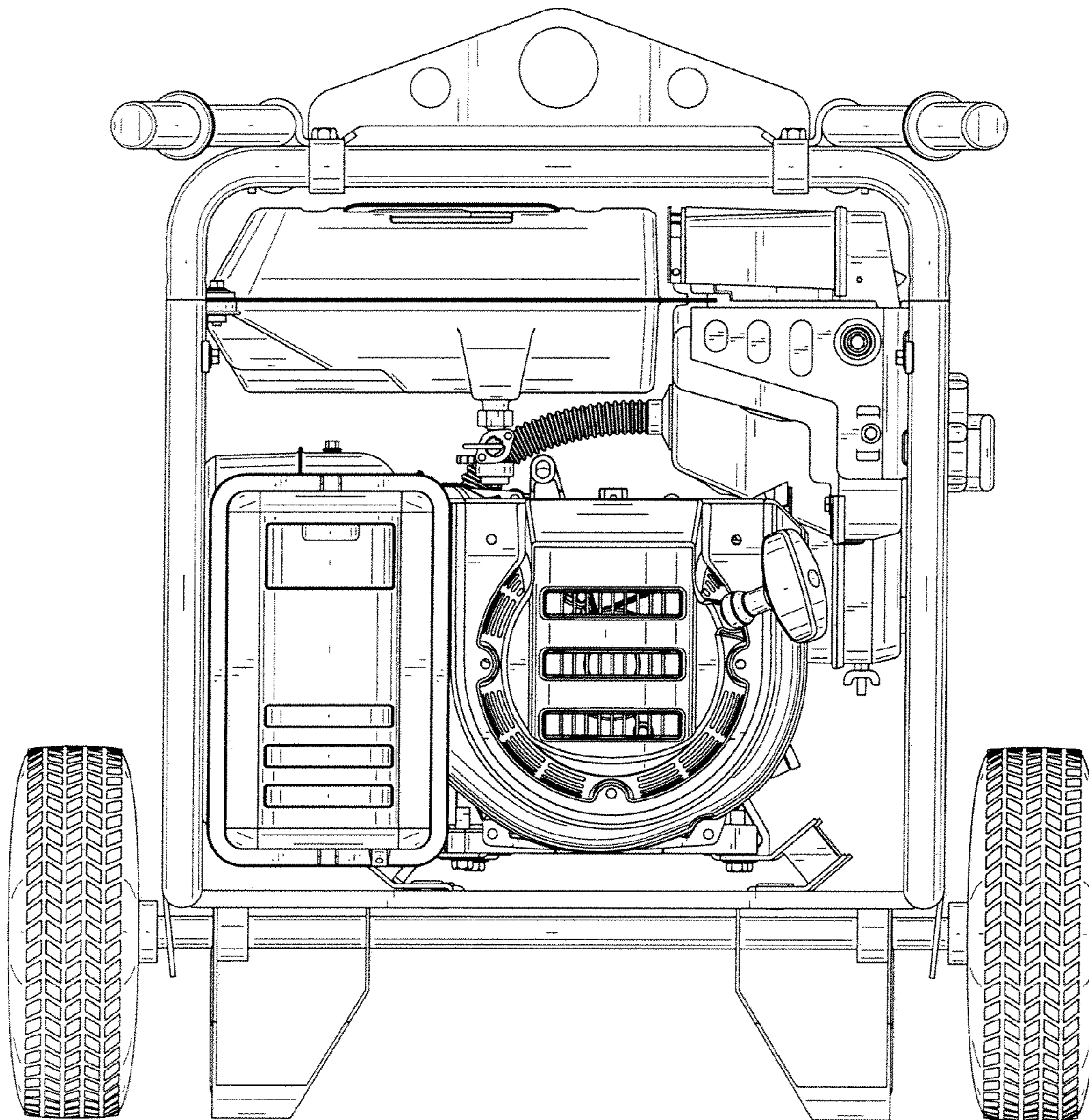


FIG. 2

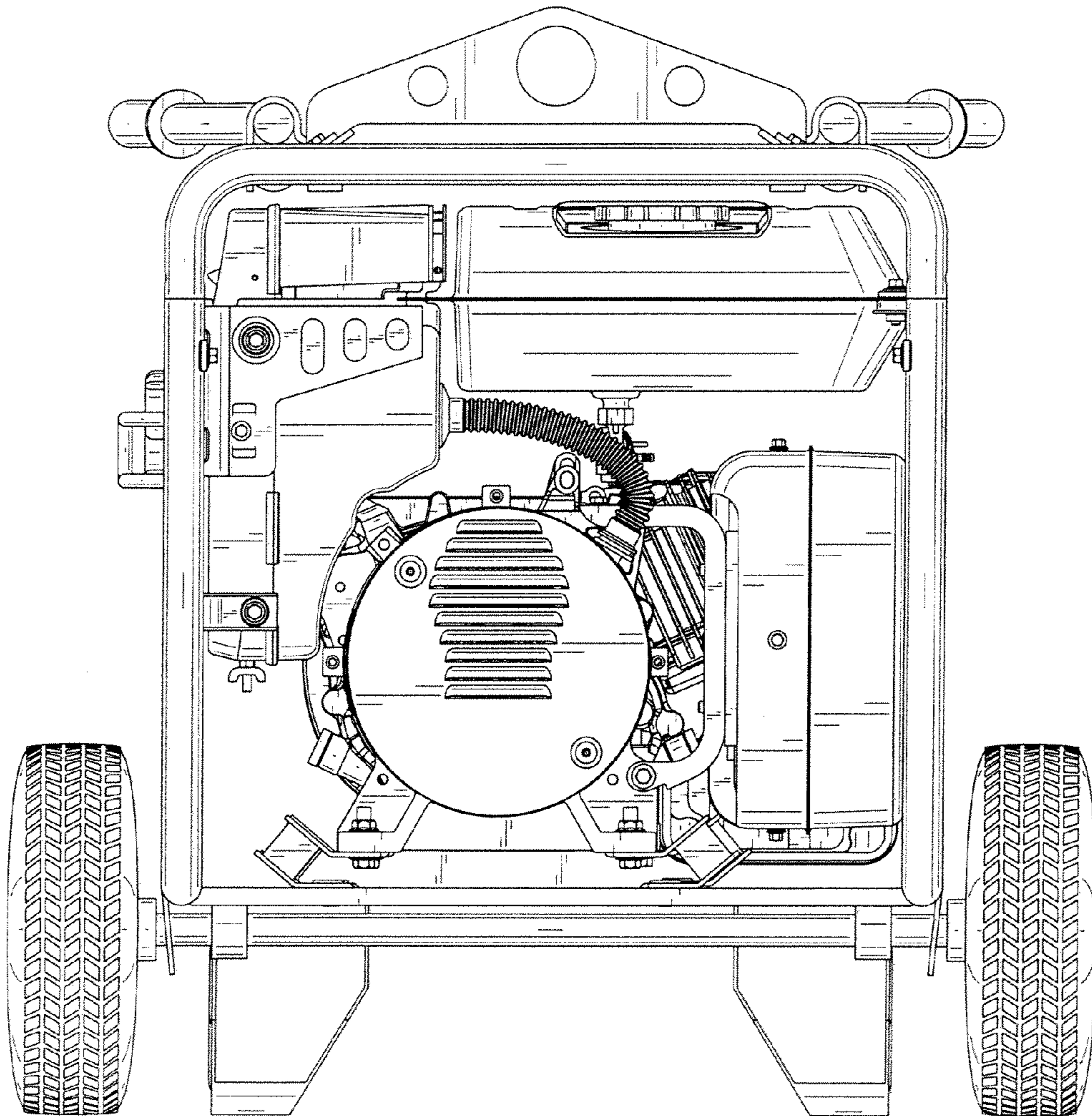


FIG. 3

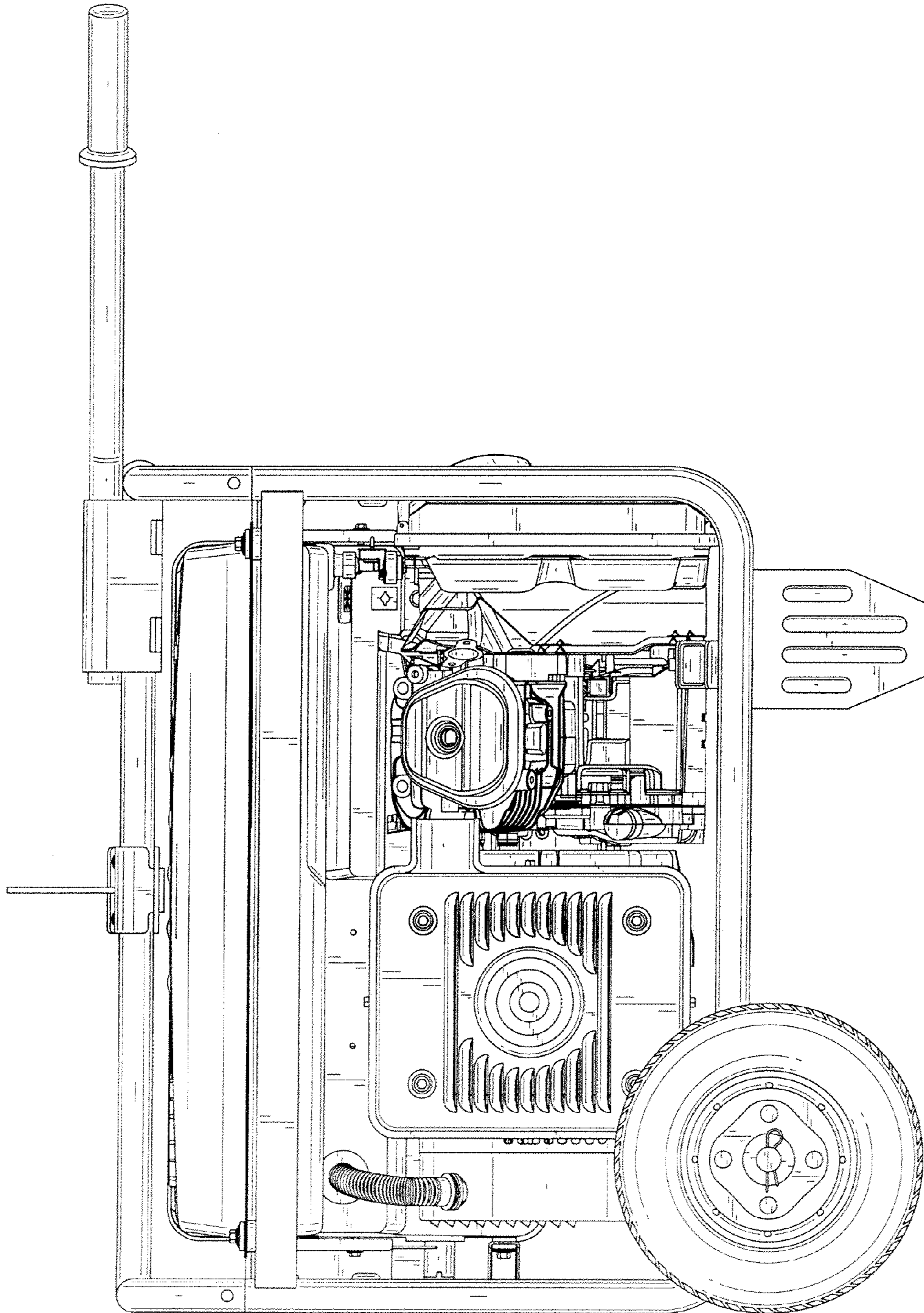


FIG. 4

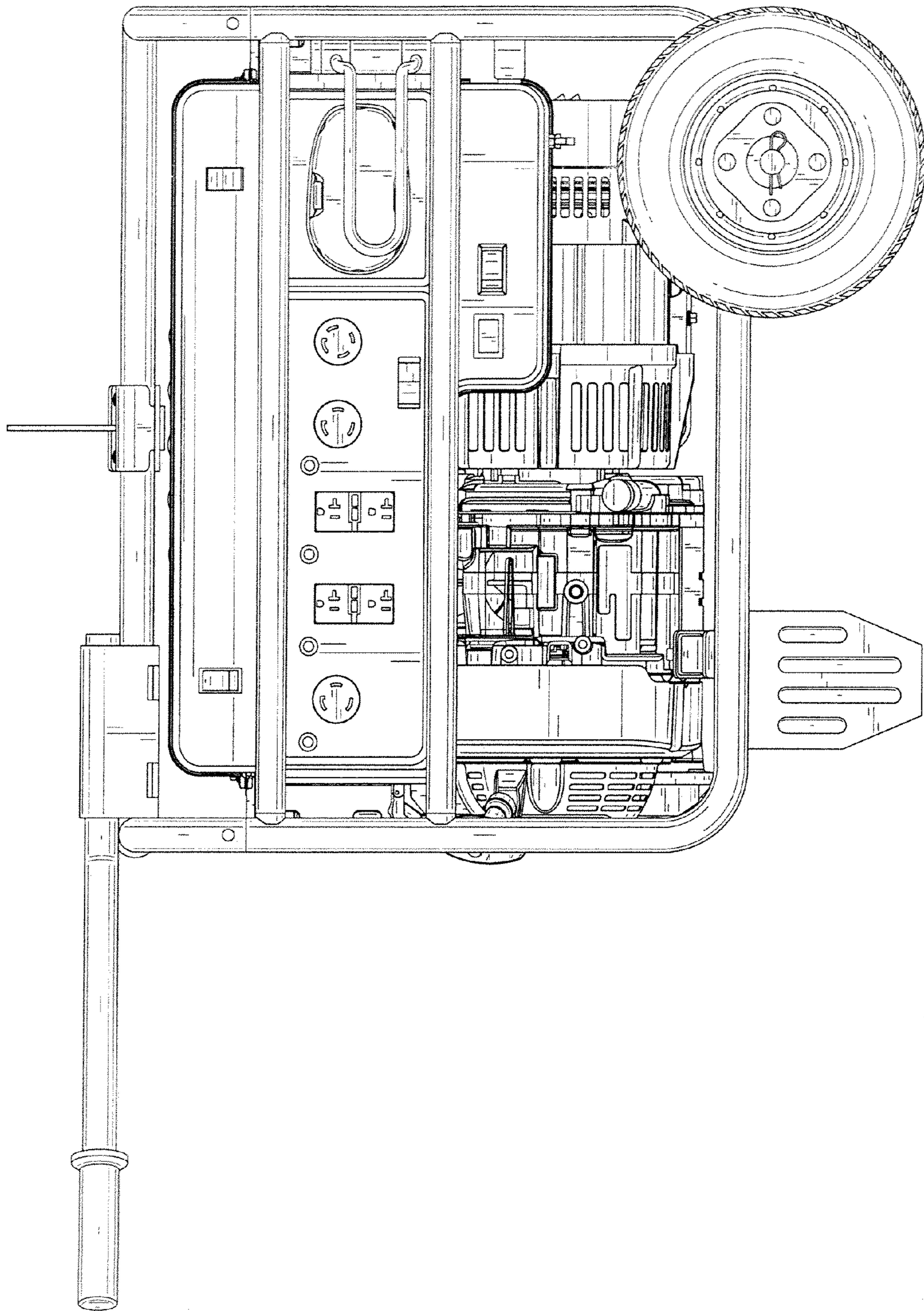


FIG. 5

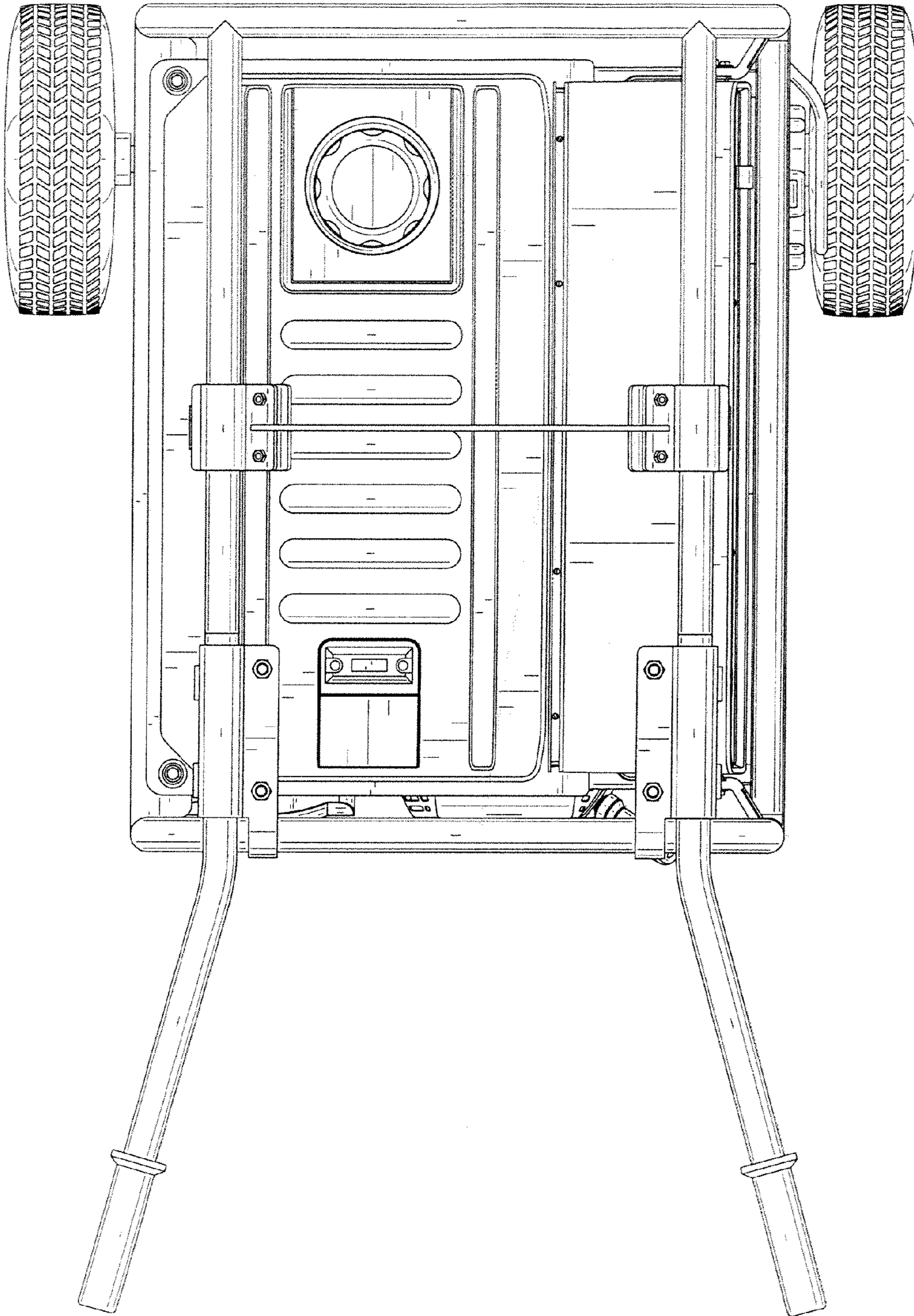


FIG. 6

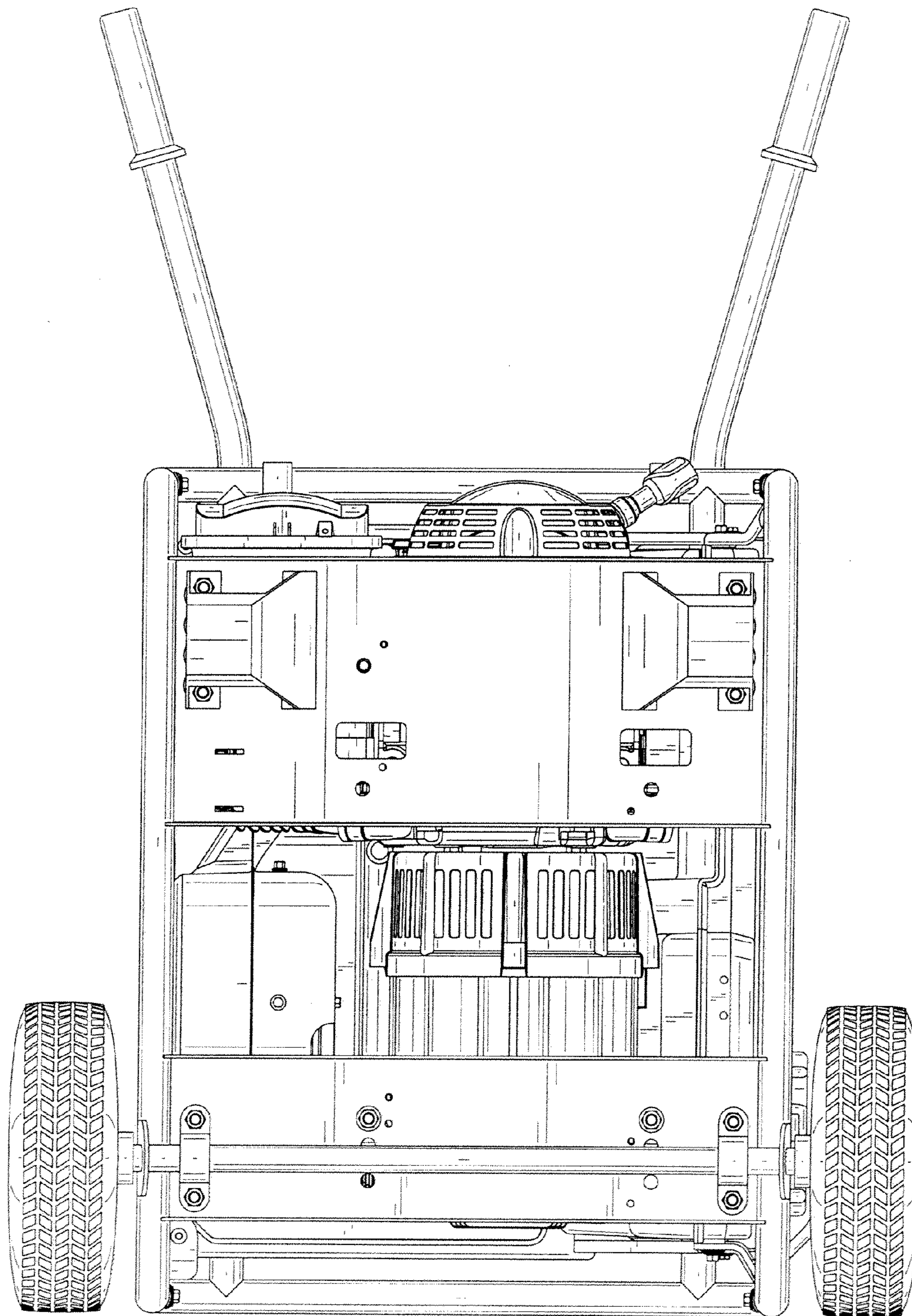


FIG. 7