



US00D563319S

(12) **United States Design Patent**
Martinez

(10) **Patent No.:** **US D563,319 S**

(45) **Date of Patent:** **** Mar. 4, 2008**

(54) **WIND GENERATOR WIRE FRAME**

(75) Inventor: **Florencia Martinez**, Newbury Park,
CA (US)

(73) Assignee: **Aerovironment Inc.**, Monrovia, CA
(US)

(**) Term: **14 Years**

(21) Appl. No.: **29/266,390**

(22) Filed: **Sep. 19, 2006**

(51) **LOC (8) Cl.** **13-01**

(52) **U.S. Cl.** **D13/115**

(58) **Field of Classification Search** D13/115,
D13/101, 199; D15/1, 199; D23/381, 411,
D23/413; 52/40, 745.09, 745.18; 416/17,
416/23, 24, 31, 37, 38, 132 R, 142
See application file for complete search history.

(56) **References Cited**

U.S. PATENT DOCUMENTS

- 4,084,921 A * 4/1978 Norz 416/17
- D252,572 S * 8/1979 Hanson D15/1
- 4,180,372 A * 12/1979 Lippert, Jr. 416/23

- 4,247,253 A * 1/1981 Seki et al. 416/44
- 4,297,076 A * 10/1981 Donham et al. 416/37
- 5,295,793 A * 3/1994 Belden 416/13
- 5,320,491 A * 6/1994 Coleman et al. 416/24
- D480,360 S * 10/2003 Bayly D13/115

* cited by examiner

Primary Examiner—Prabhakar Deshmukh

Assistant Examiner—Derrick Holland

(74) *Attorney, Agent, or Firm*—William W. Haefliger

(57) **CLAIM**

The ornamental design for a wind generator wire frame,
substantially as shown and described.

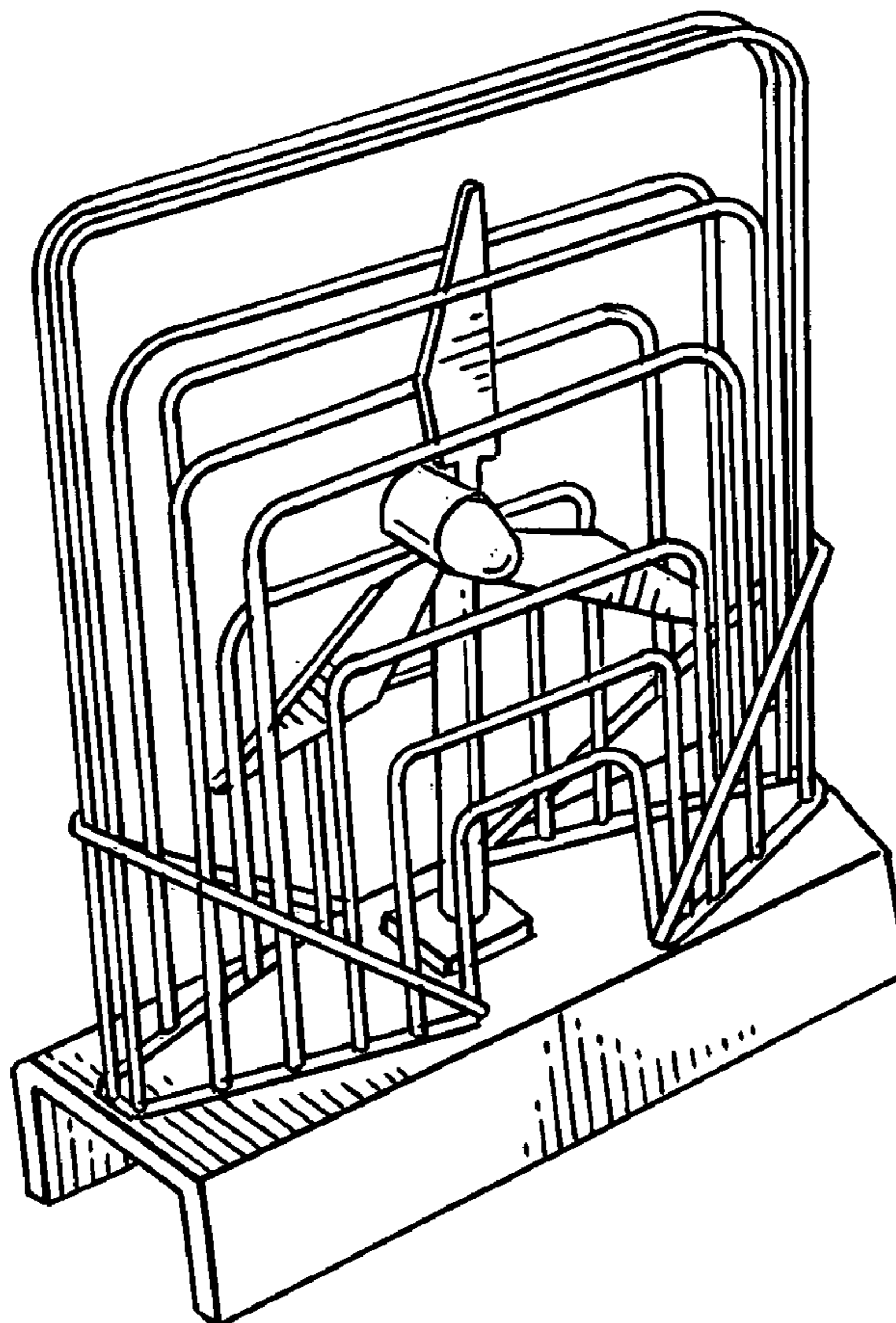
DESCRIPTION

FIG. 1 is a perspective view of a wind generator wire frame,
showing my new design from the top and front, and part of
the bottom;

FIG. 2 is a perspective view of the FIG. 1 generator, showing
one side thereof, the opposite side being the same; and,

FIG. 3 is a perspective view of the FIG. 1 generator showing
the top and front and part of the opposite side.

1 Claim, 2 Drawing Sheets



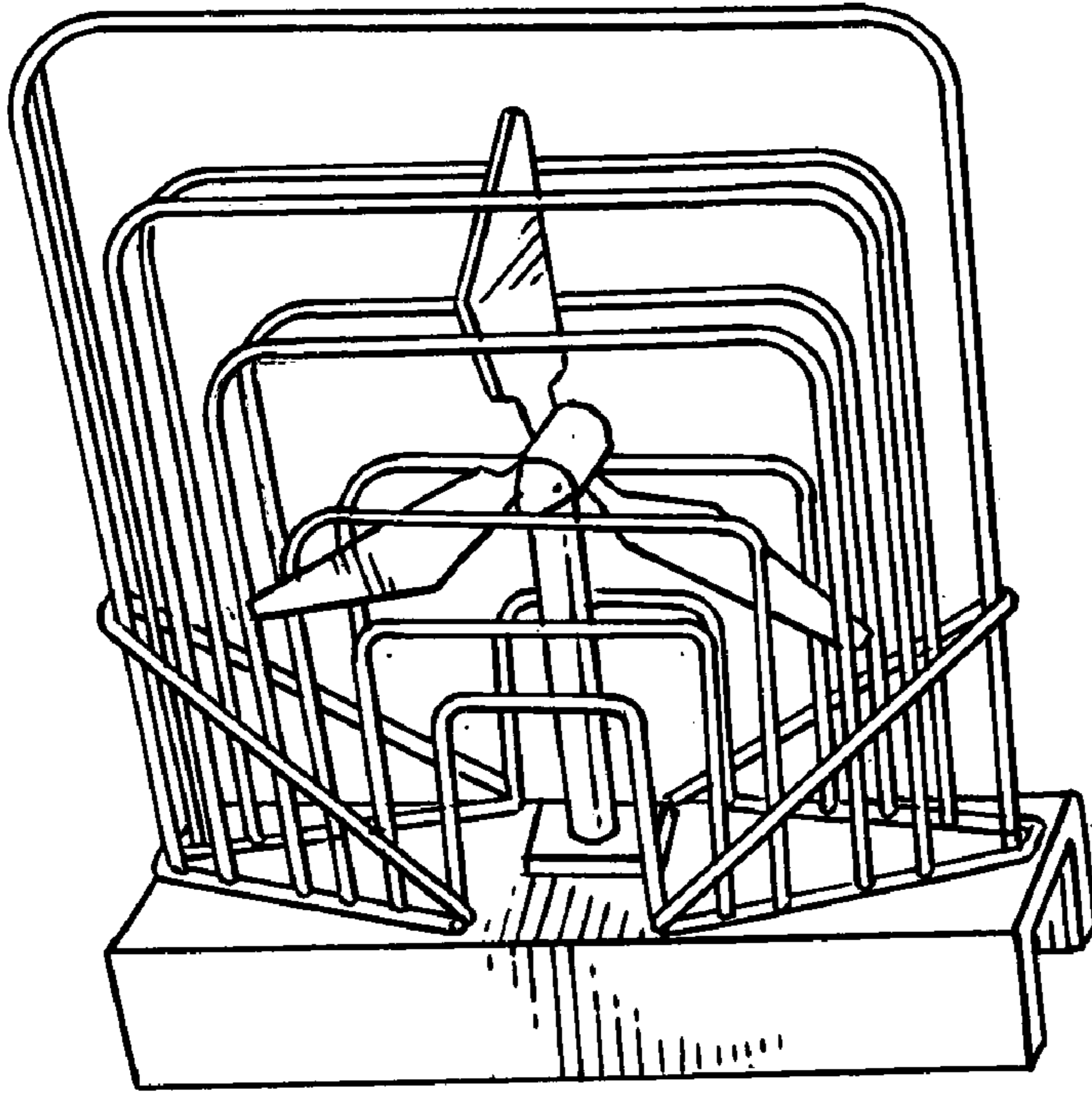


FIG. 1.

FIG. 2.

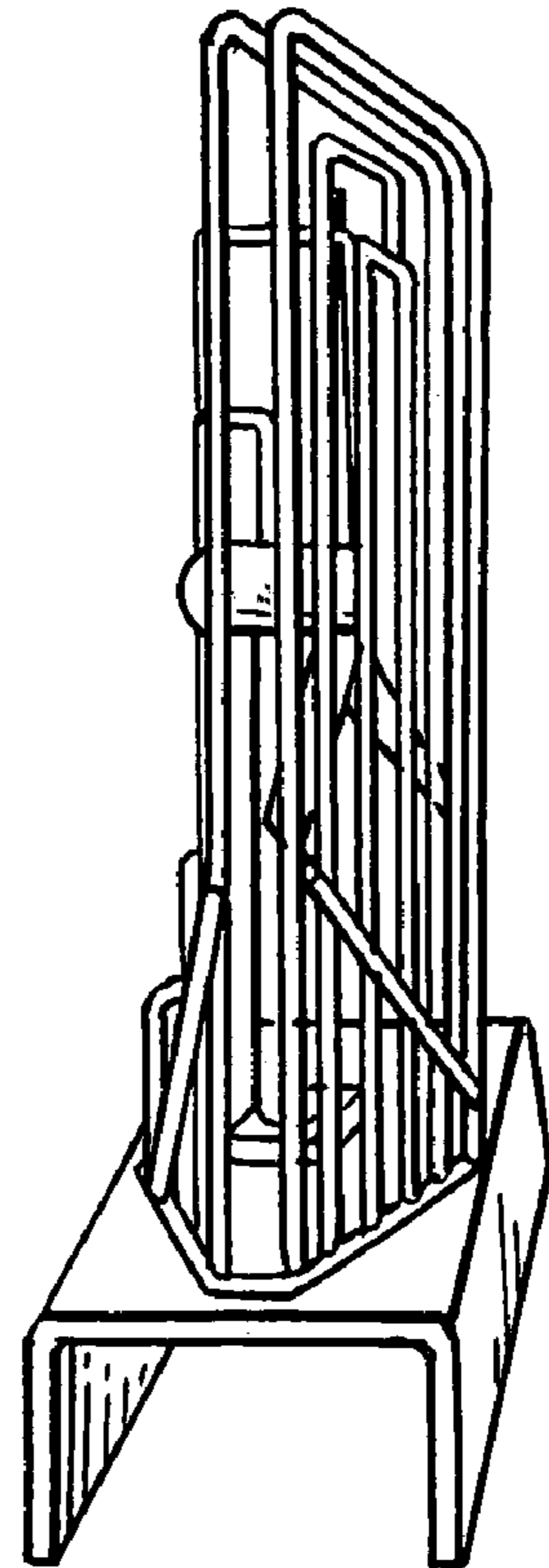


FIG. 3.

