



US00D563318S

(12) **United States Design Patent**
Higuchi

(10) **Patent No.:** **US D563,318 S**

(45) **Date of Patent:** **** Mar. 4, 2008**

(54) **INVERTER**

(75) Inventor: **Naoto Higuchi**, Tokyo (JP)

(73) Assignee: **Mitsubishi Electric Corporation**,
Tokyo (JP)

(**) Term: **14 Years**

(21) Appl. No.: **29/274,339**

(22) Filed: **Apr. 18, 2007**

(30) **Foreign Application Priority Data**

Oct. 18, 2006 (JP) 2006-028150

(51) **LOC (8) Cl.** **13-02**

(52) **U.S. Cl.** **D13/110**

(58) **Field of Classification Search** D13/110,
D13/101, 123, 184, 199; 307/150-152; 361/600,
361/601, 622, 702, 703, 730, 809; 363/141,
363/142

See application file for complete search history.

(56) **References Cited**

U.S. PATENT DOCUMENTS

4,620,263	A *	10/1986	Ito	361/690
D303,370	S *	9/1989	Kondo et al.	D13/110
5,170,336	A *	12/1992	Getter et al.	363/141
D343,382	S *	1/1994	Hagura et al.	D13/110
D358,753	S *	5/1995	Yoshida et al.	D13/123
5,497,289	A *	3/1996	Sugishima et al.	361/709
D372,017	S *	7/1996	Suematsu et al.	D13/110
D376,785	S *	12/1996	Ikeda et al.	D13/110
D455,121	S *	4/2002	Takeuchi et al.	D13/110
D455,399	S *	4/2002	Imamura et al.	D13/110

D455,714	S *	4/2002	Kim	D13/110
D457,492	S *	5/2002	Kim	D13/110
D502,914	S *	3/2005	Higuchi et al.	D13/110
D502,916	S *	3/2005	Higuchi et al.	D13/110

* cited by examiner

Primary Examiner—Prabhakar Deshmukh

Assistant Examiner—Derrick Holland

(74) *Attorney, Agent, or Firm*—Sughrue Mion, PLLC

(57) **CLAIM**

The ornamental design for an inverter, as shown and described.

DESCRIPTION

FIG. 1 is a front, top and right side perspective view of an inverter, showing my new design;

FIG. 2 is a front elevational view thereof;

FIG. 3 is a rear elevational view thereof;

FIG. 4 is a top plan view thereof;

FIG. 5 is a bottom plan view thereof;

FIG. 6 is a right side elevational view thereof;

FIG. 7 is a left side elevational view thereof;

FIG. 8 is a reference top plan view thereof;

FIG. 9 is a cross-sectional view thereof; taken along line 9—9 of FIG. 8, with the internal system omitted;

FIG. 10 is a cross-sectional view thereof; taken along line 10—10 of FIG. 2, with the internal system omitted; and,

FIG. 11 is a reference front elevational view with the light-transmitting portions shown in oblique lines.

1 Claim, 6 Drawing Sheets

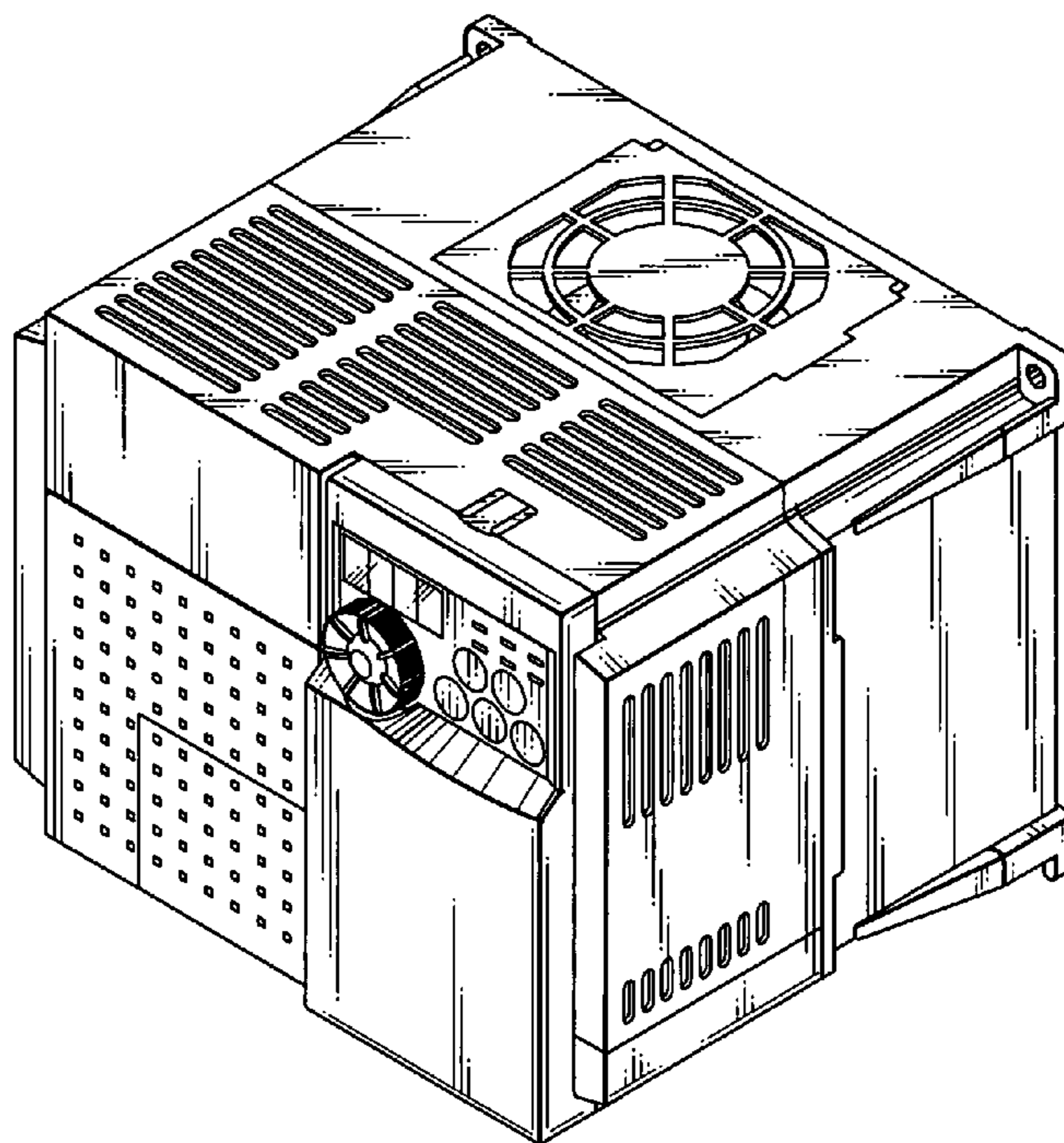


FIG. 1

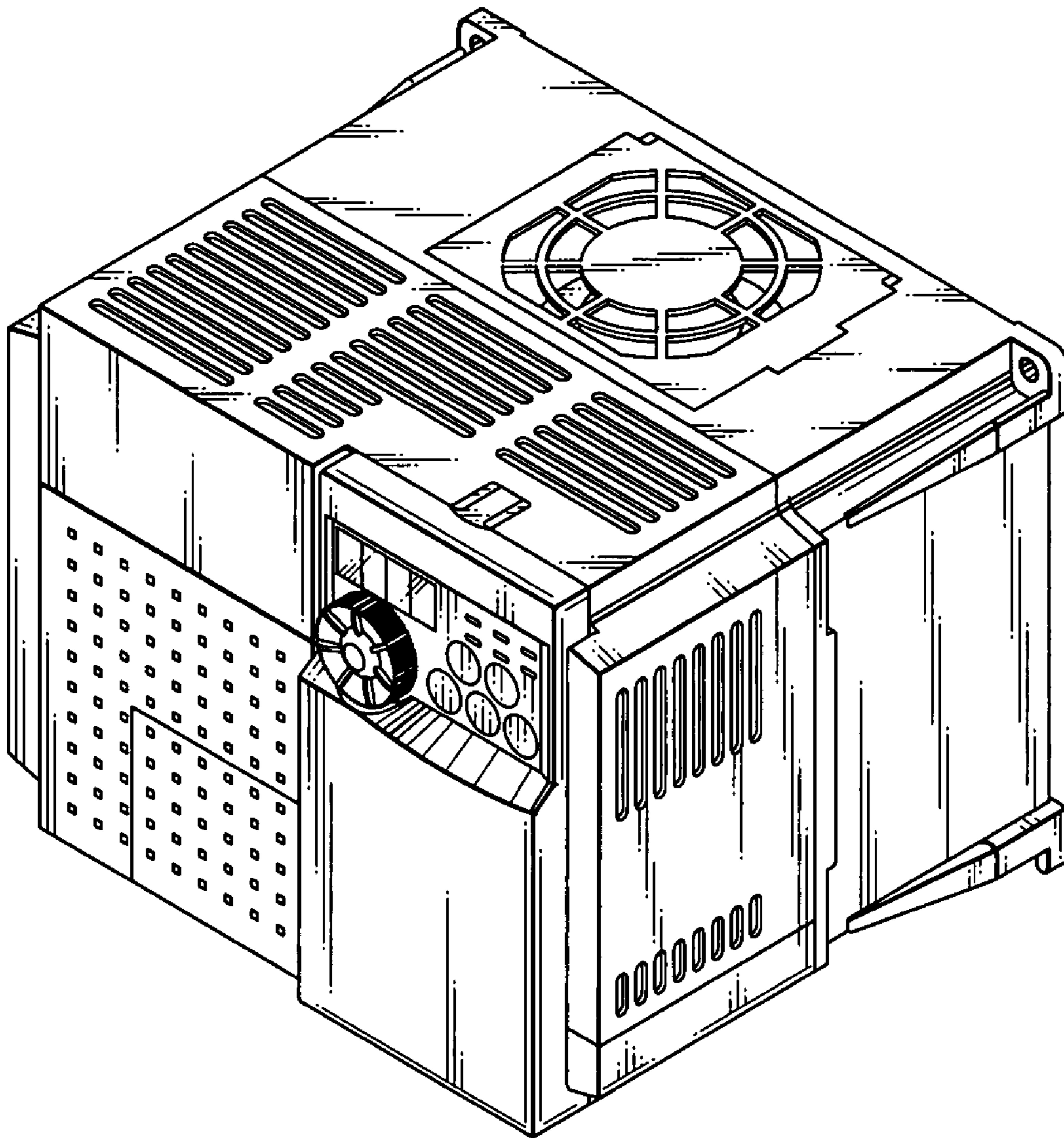


FIG.2

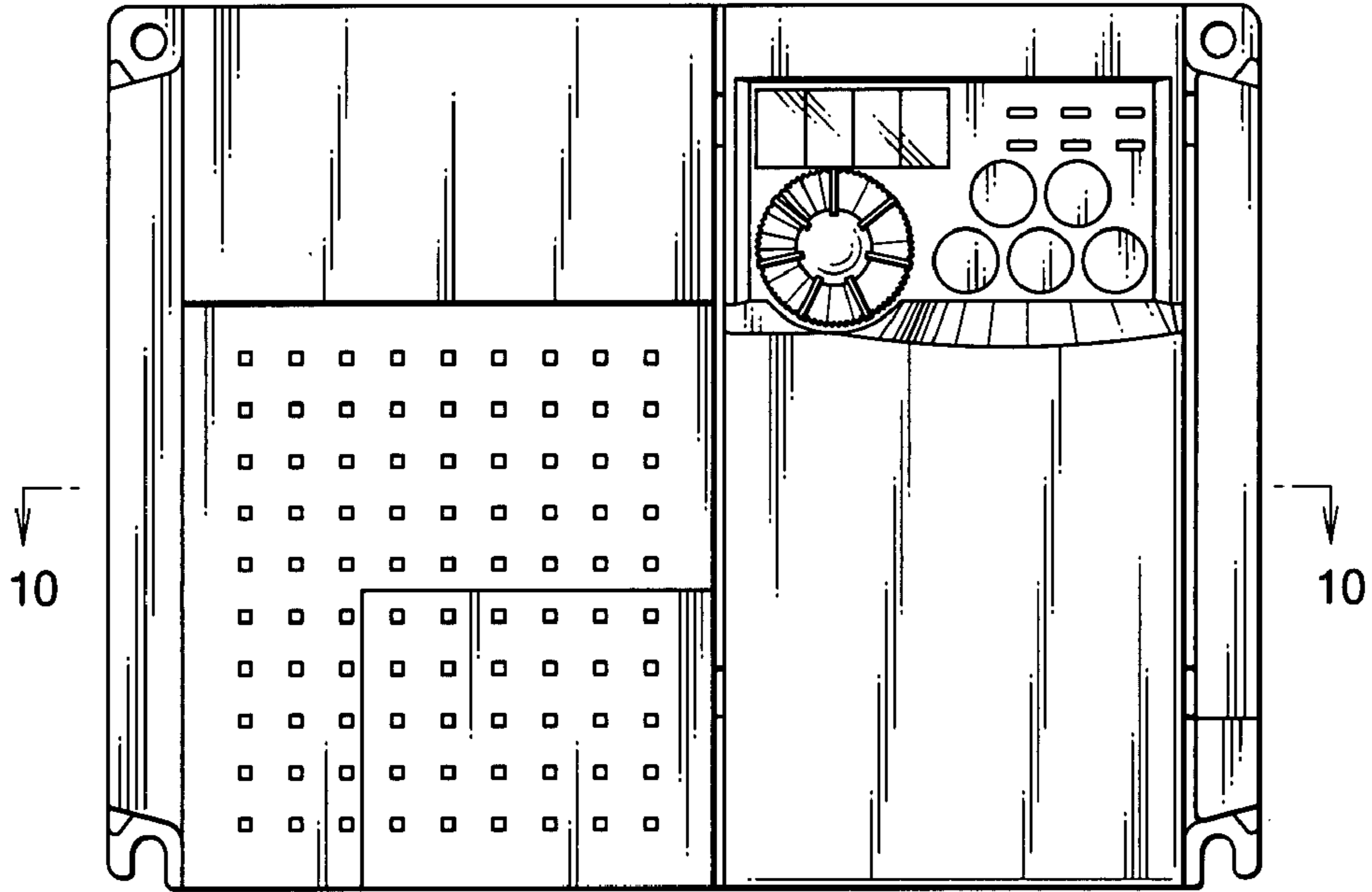


FIG.3

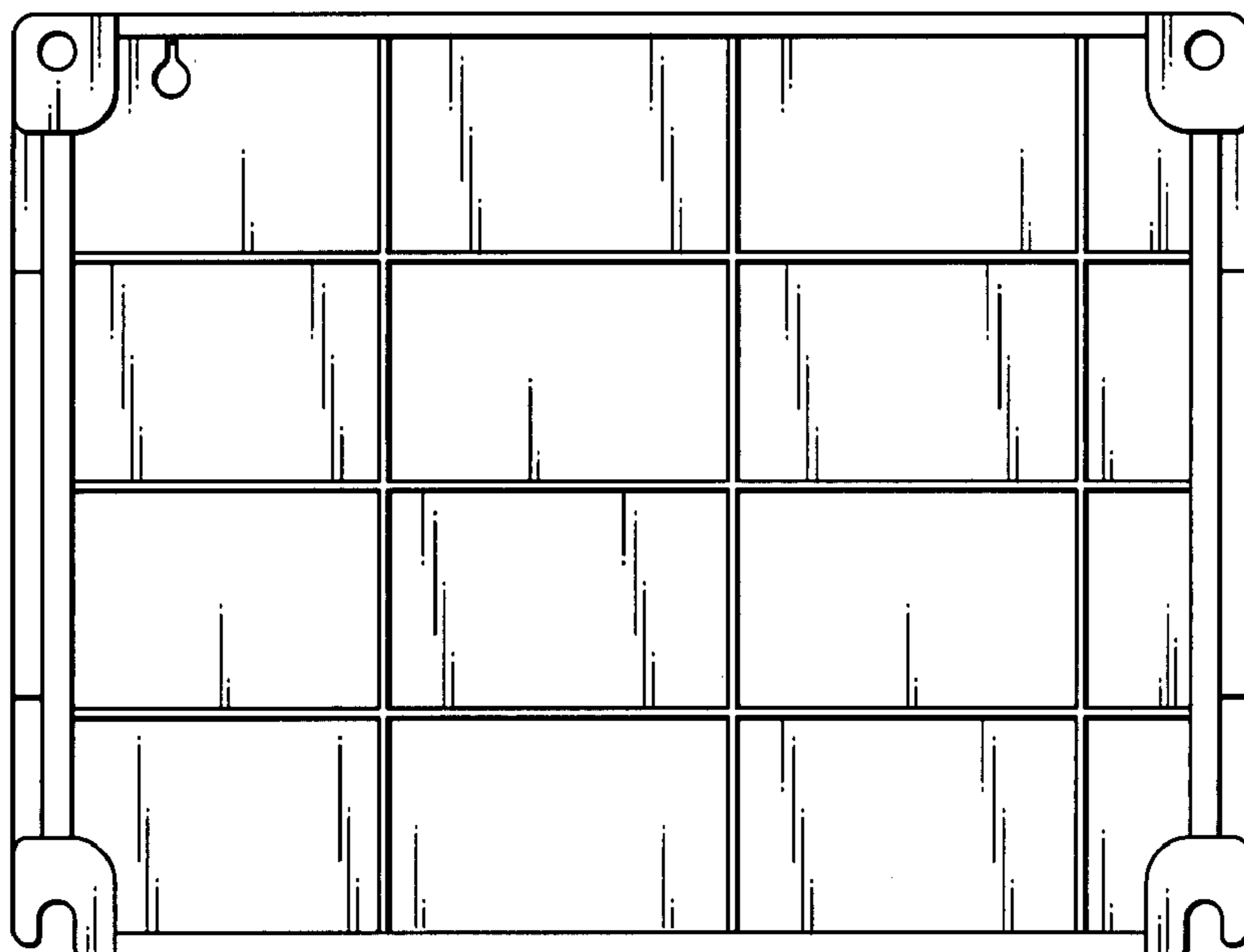


FIG. 4

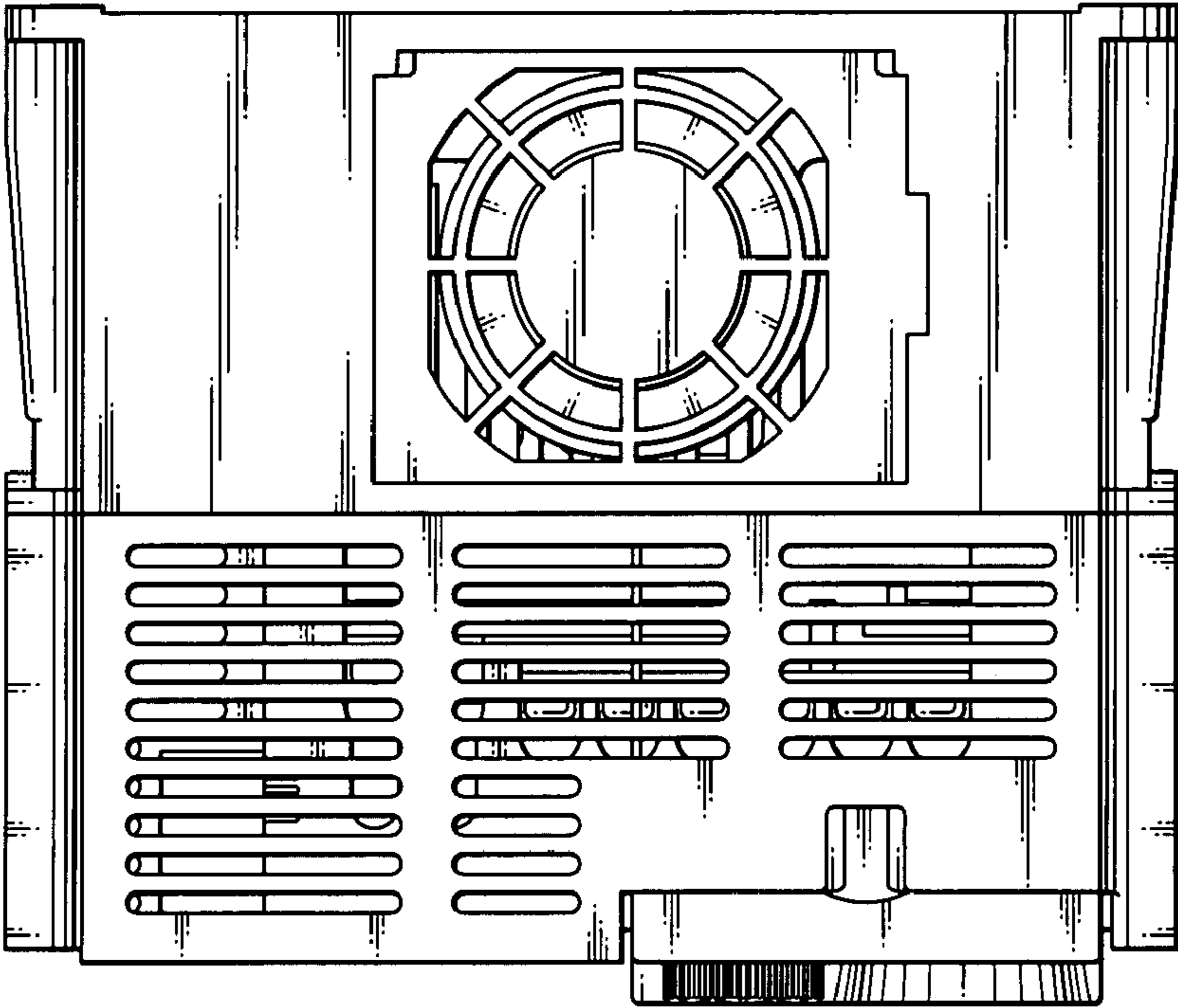


FIG. 5

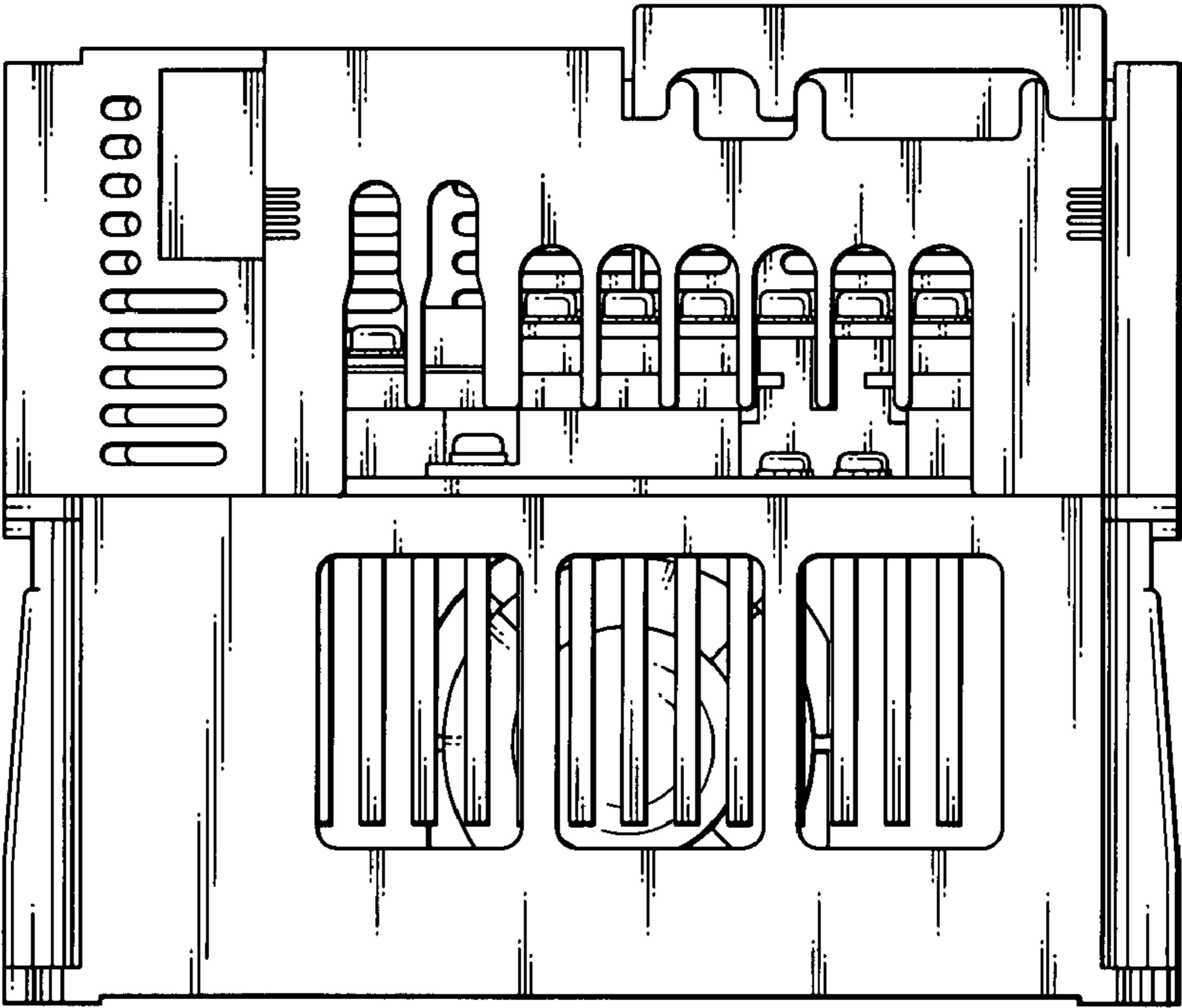


FIG.6

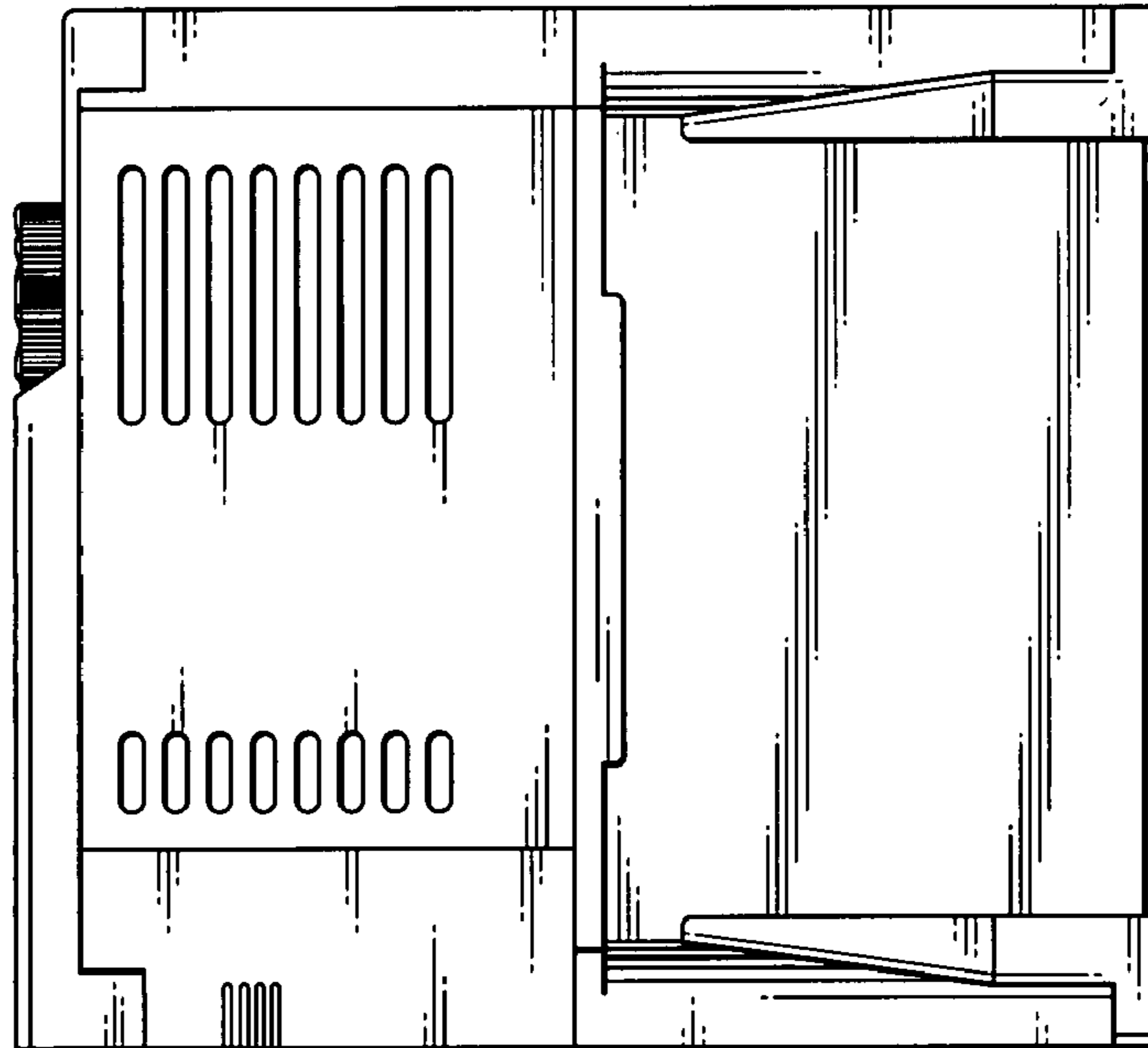


FIG.7

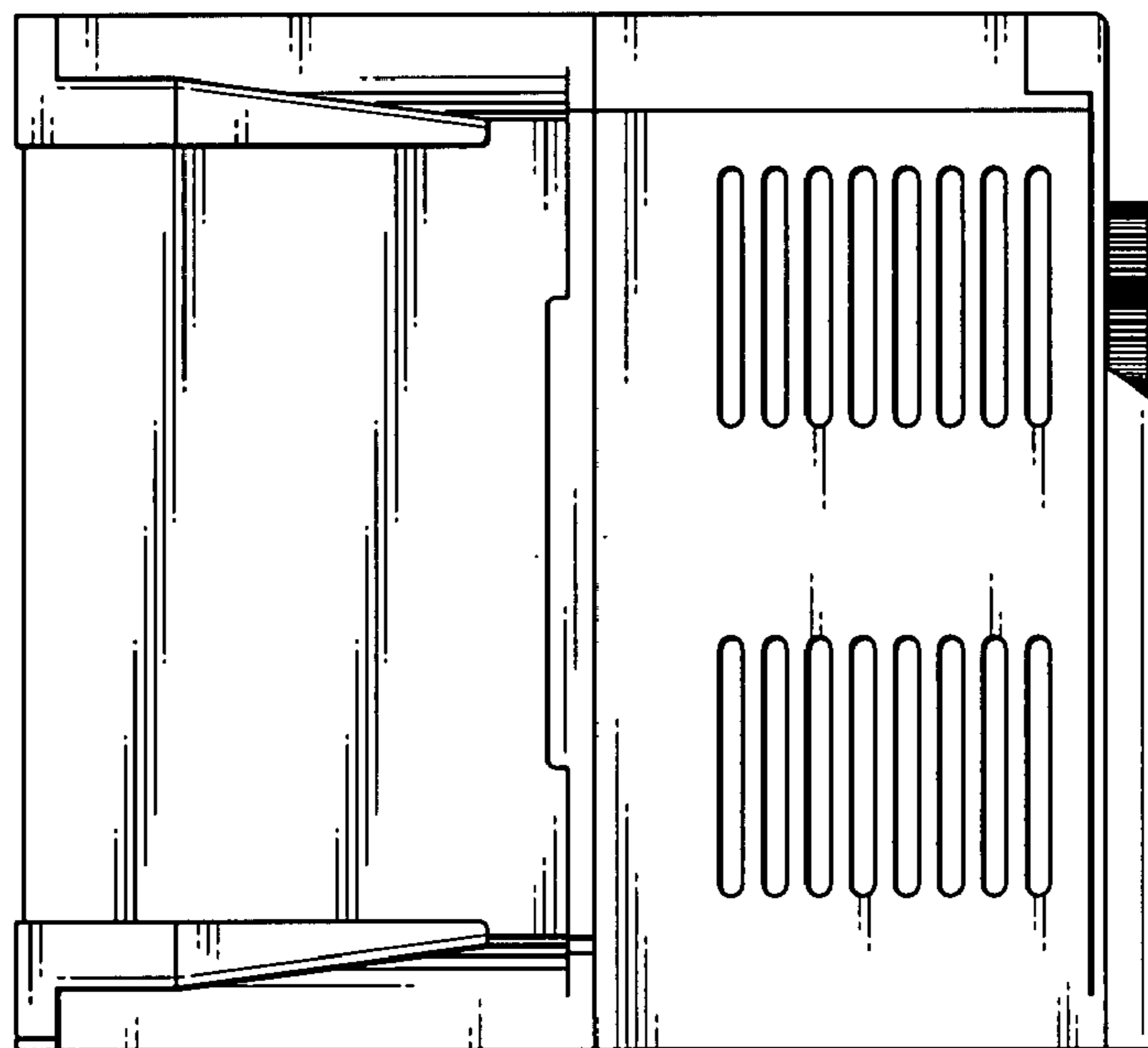


FIG.8

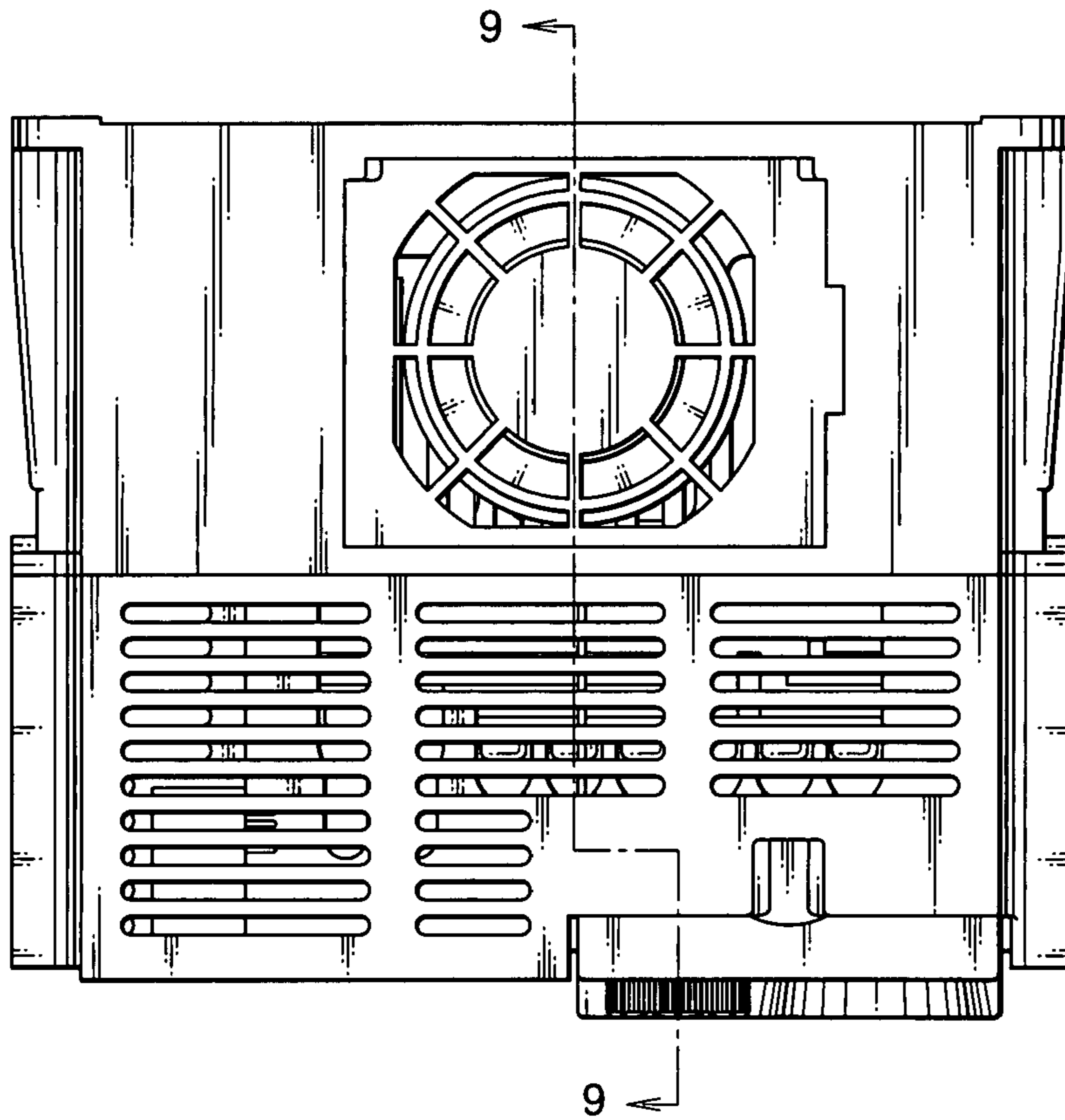


FIG.9

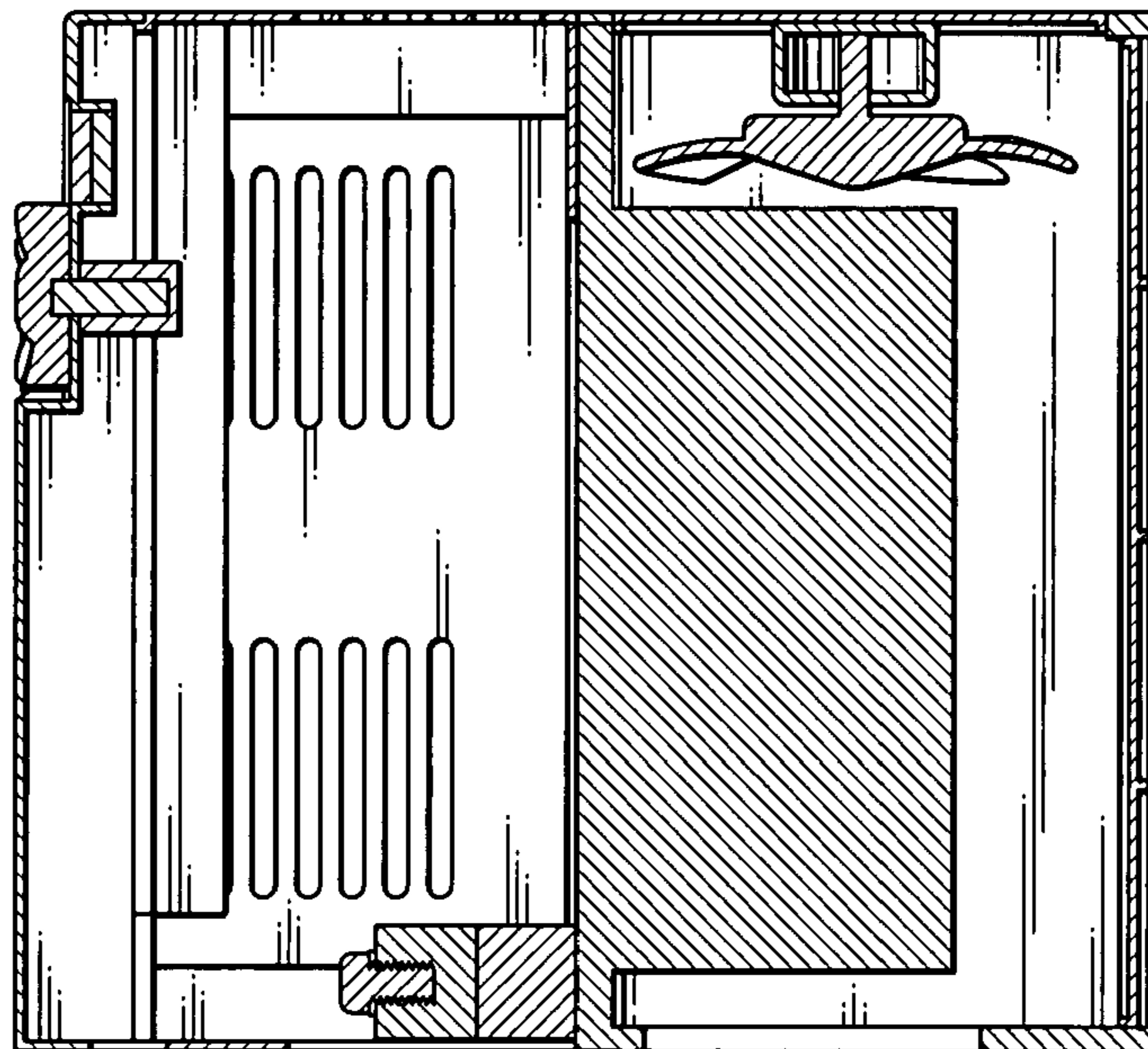


FIG.10

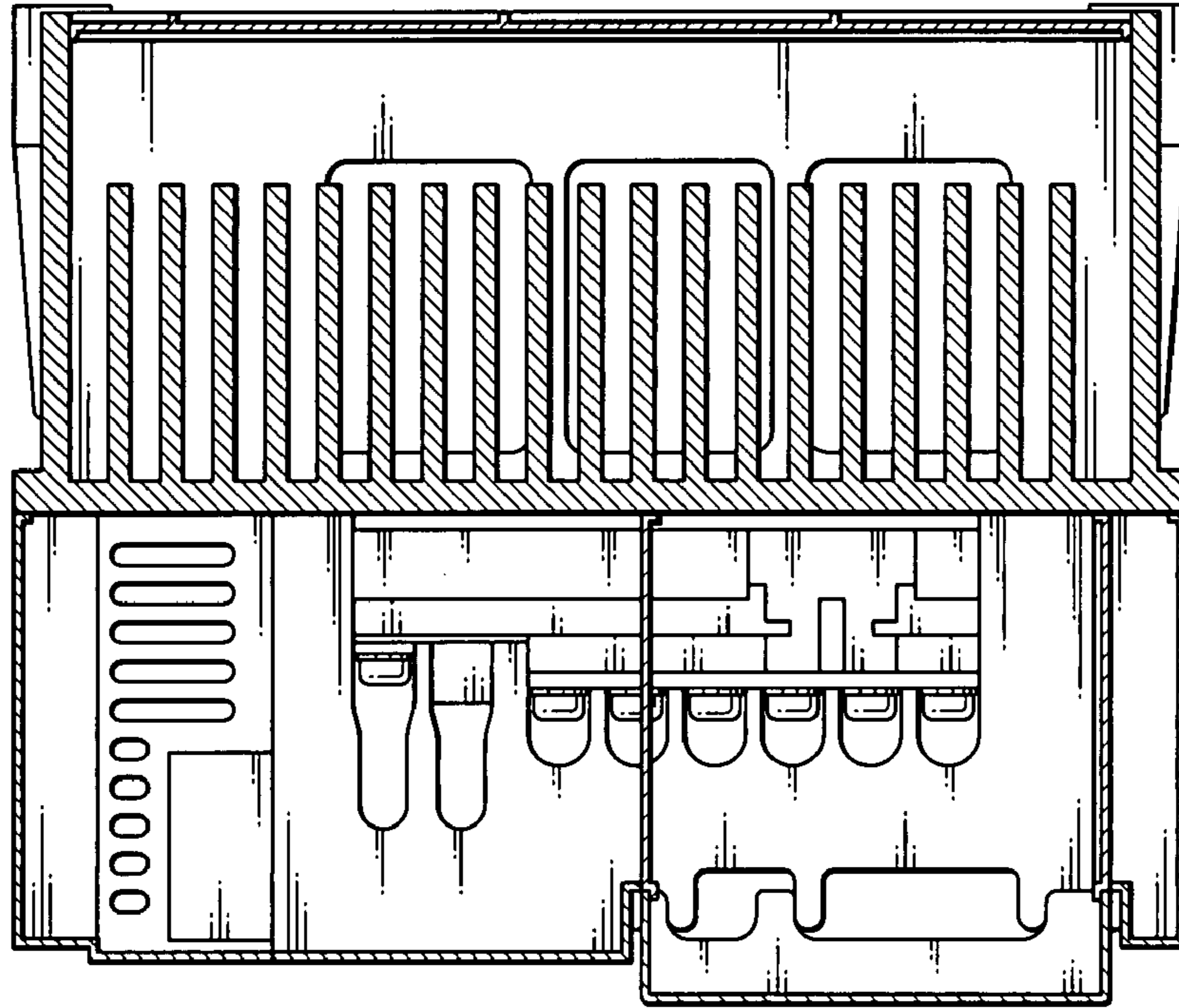


FIG.11

