



US00D563315S

(12) **United States Design Patent**
Kingston et al.

(10) **Patent No.:** **US D563,315 S**
(45) **Date of Patent:** **** Mar. 4, 2008**

(54) **COMBINED LIGHTING DEVICE AND CHARGER**

D411,635 S 6/1999 Philipot et al.

(Continued)

(75) Inventors: **Ronald J. Kingston**, Syracuse, NY (US); **Scott W. Osiecki**, Skaneateles, NY (US)

FOREIGN PATENT DOCUMENTS

WO 2007/090112 A2 8/2007

(73) Assignee: **Eveready Battery Company, Inc.**, St. Louis, MO (US)

Primary Examiner—Cathron Brooks

Assistant Examiner—Rosemary K Tarcza

(74) *Attorney, Agent, or Firm*—Gregory J. Adams

(**) Term: **14 Years**

(57) **CLAIM**

(21) Appl. No.: **29/286,610**

We claim the ornamental design for a combined lighting device and charger, as shown and described.

(22) Filed: **May 14, 2007**

(51) **LOC (8) Cl.** **13-02**

DESCRIPTION

(52) **U.S. Cl.** **D13/108; D26/51**

FIG. 1 is a right top perspective view of the combined lighting device and charger of the present invention.

(58) **Field of Classification Search** D13/107–110,

FIG. 2 is a front view of the combined lighting device and charger of the present invention.

D13/118–119, 184; D14/251, 253, 432, D14/434; D26/51, 72; 320/107–115

FIG. 3 is a back side view of the combined lighting device and charger of the present invention.

See application file for complete search history.

FIG. 4 is a left side view of the combined lighting device and charger of the present invention.

(56) **References Cited**

U.S. PATENT DOCUMENTS

FIG. 5 is a right side view of the combined lighting device and charger of the present invention.

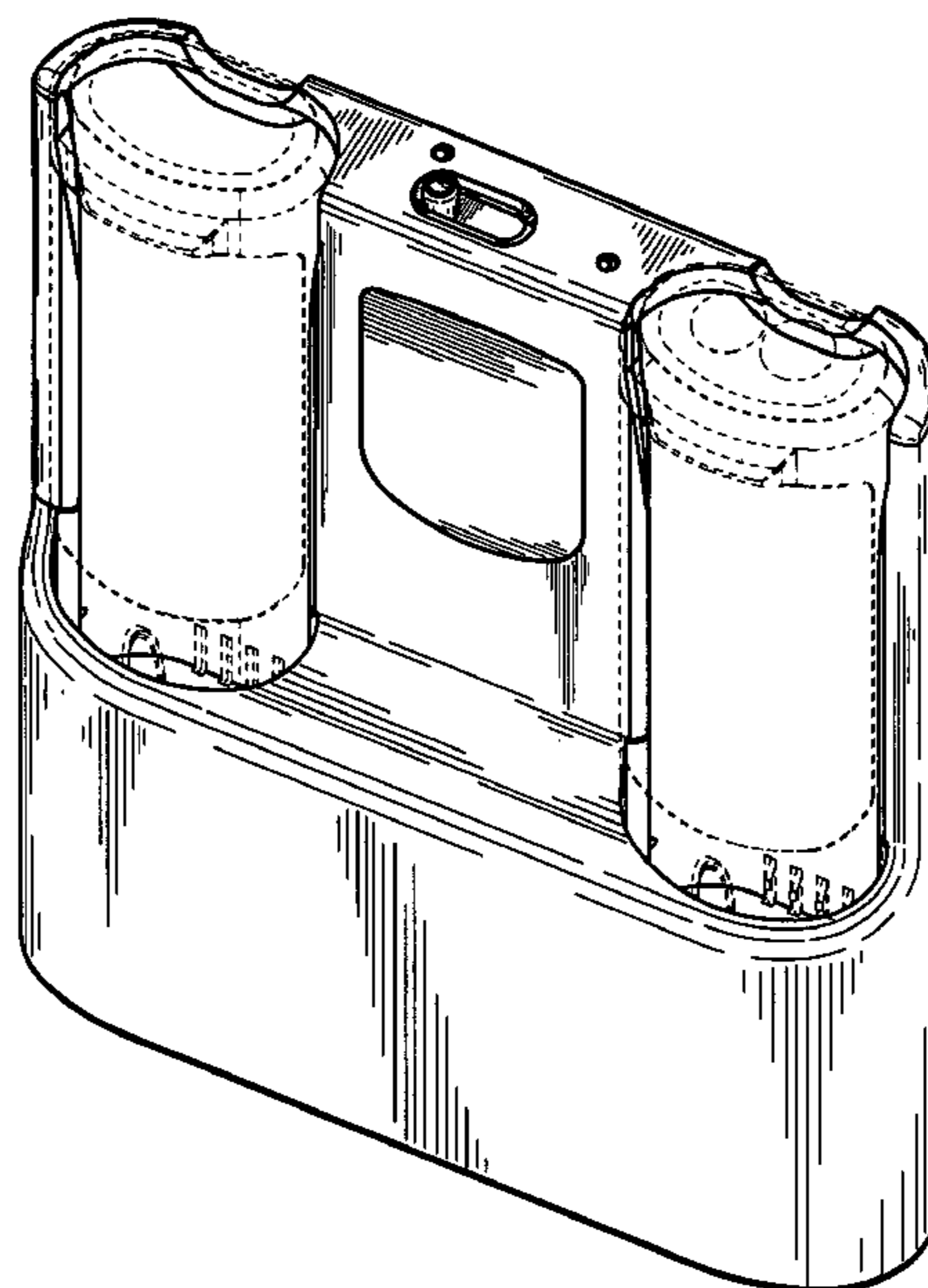
D211,387 S	6/1968	Muller	
D253,853 S	1/1980	Gerber	
D311,067 S	10/1990	Chabria	
D317,310 S	6/1991	Schwartz	
D328,357 S	7/1992	Schneider	
D334,170 S *	3/1993	Rams et al.	D13/108
D335,672 S *	5/1993	Leman et al.	D14/251
D335,861 S *	5/1993	Tattari	D13/108
D343,469 S	1/1994	Yuen	
D343,470 S	1/1994	Yuen	
D356,174 S	3/1995	Lo	
D370,070 S	5/1996	Kay	
D396,687 S *	8/1998	Somers	D13/107
D411,324 S	6/1999	Roorda	

FIG. 6 is a top view of the combined lighting device and charger of the present invention; and,

FIG. 7 is a bottom view of the combined lighting device and charger of the present invention.

The broken line showing is included for the purpose of illustrating environmental features and forms no part of the claimed design.

1 Claim, 4 Drawing Sheets



US D563,315 S

Page 2

U.S. PATENT DOCUMENTS

D434,863 S	12/2000	Boessel	
D437,429 S	2/2001	Boessel	
6,227,677 B1	5/2001	Willis	
D444,449 S *	7/2001	Yamamoto D13/107
D449,402 S	10/2001	Echito	
D450,868 S	11/2001	Maximilian-Yee	
D459,521 S	6/2002	Echito	
D460,412 S *	7/2002	Nawrozki D13/107
D477,432 S	7/2003	Parsons	
D491,305 S	6/2004	Copeland	
D496,485 S	9/2004	Stekelenburg	
7,048,414 B2	5/2006	Weber	
D522,963 S *	6/2006	Hayes et al. D13/108
D523,982 S	6/2006	Doong	
D524,315 S *	7/2006	Reusing et al. D14/434
D527,129 S	8/2006	Hodgson	
D527,132 S	8/2006	Citterio	
D530,667 S *	10/2006	Viduya et al. D13/107
D532,920 S	11/2006	Echito	
7,150,540 B2	12/2006	Kovacik et al.	
D538,740 S *	3/2007	Dunbar D13/108
D539,216 S	3/2007	Hamaguchi	
D539,456 S	3/2007	Sassoon et al.	
2004/0145890 A1	7/2004	Liao	
2005/0231941 A1	10/2005	Huang	

* cited by examiner

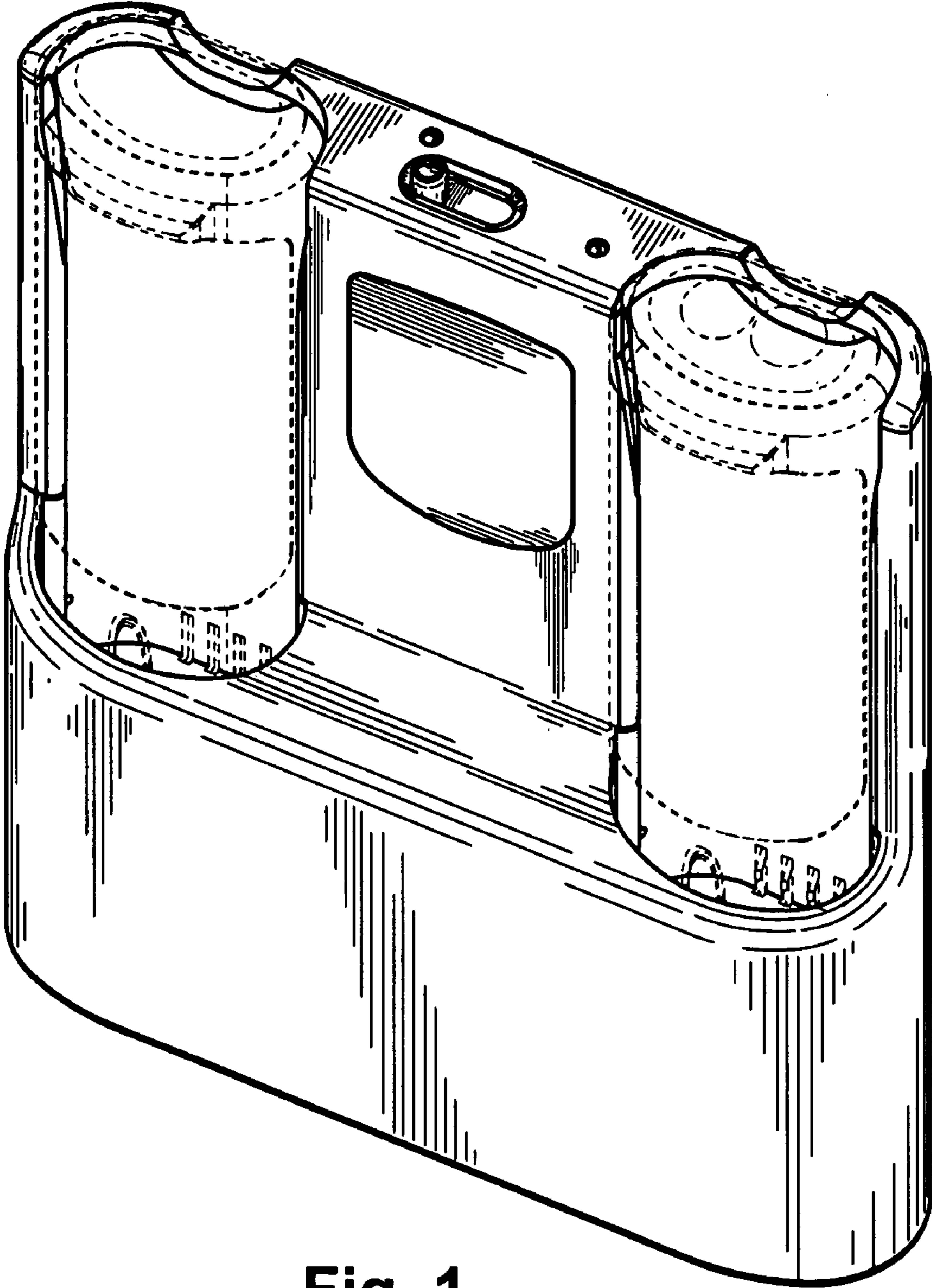


Fig. 1

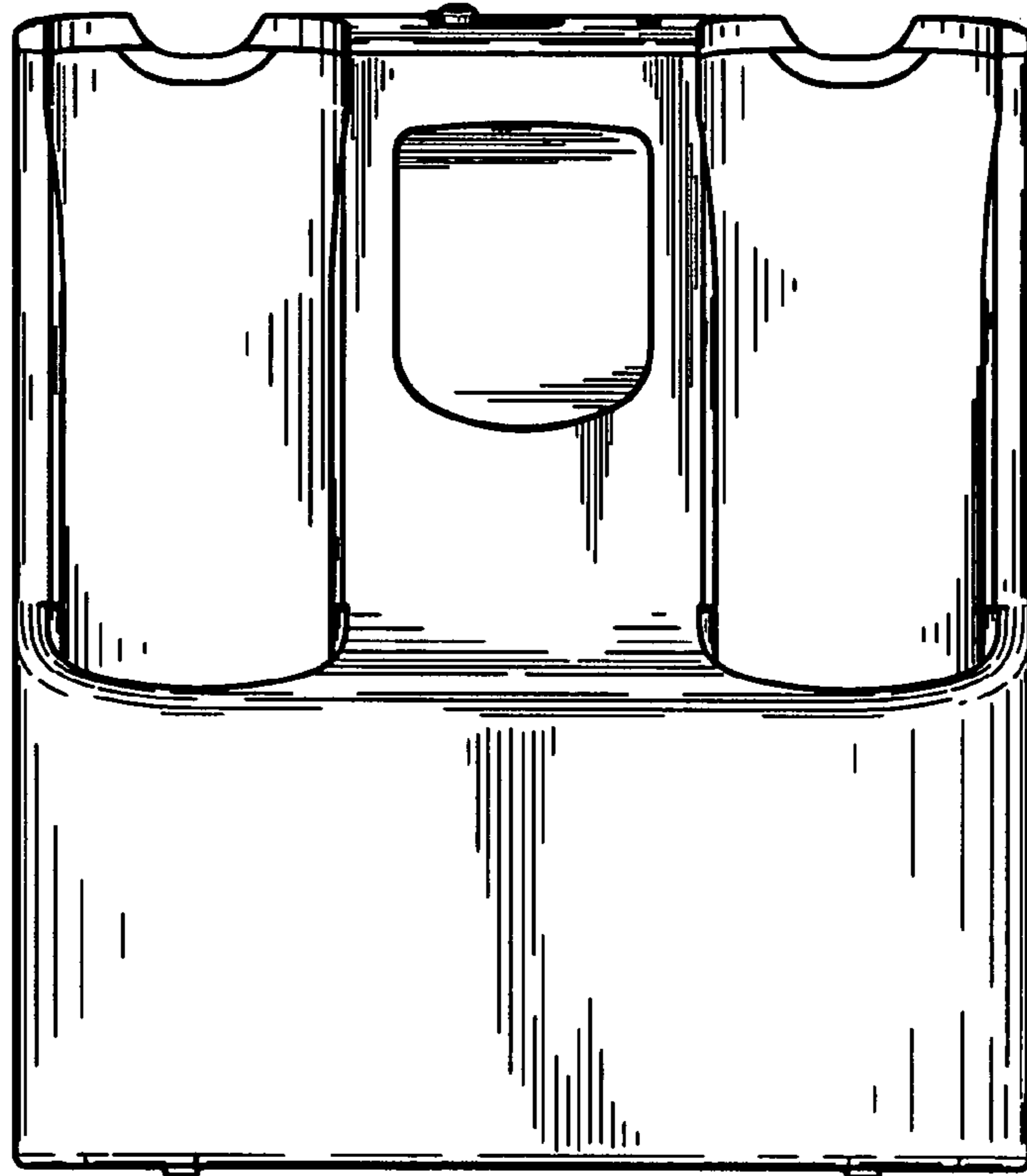


Fig. 2

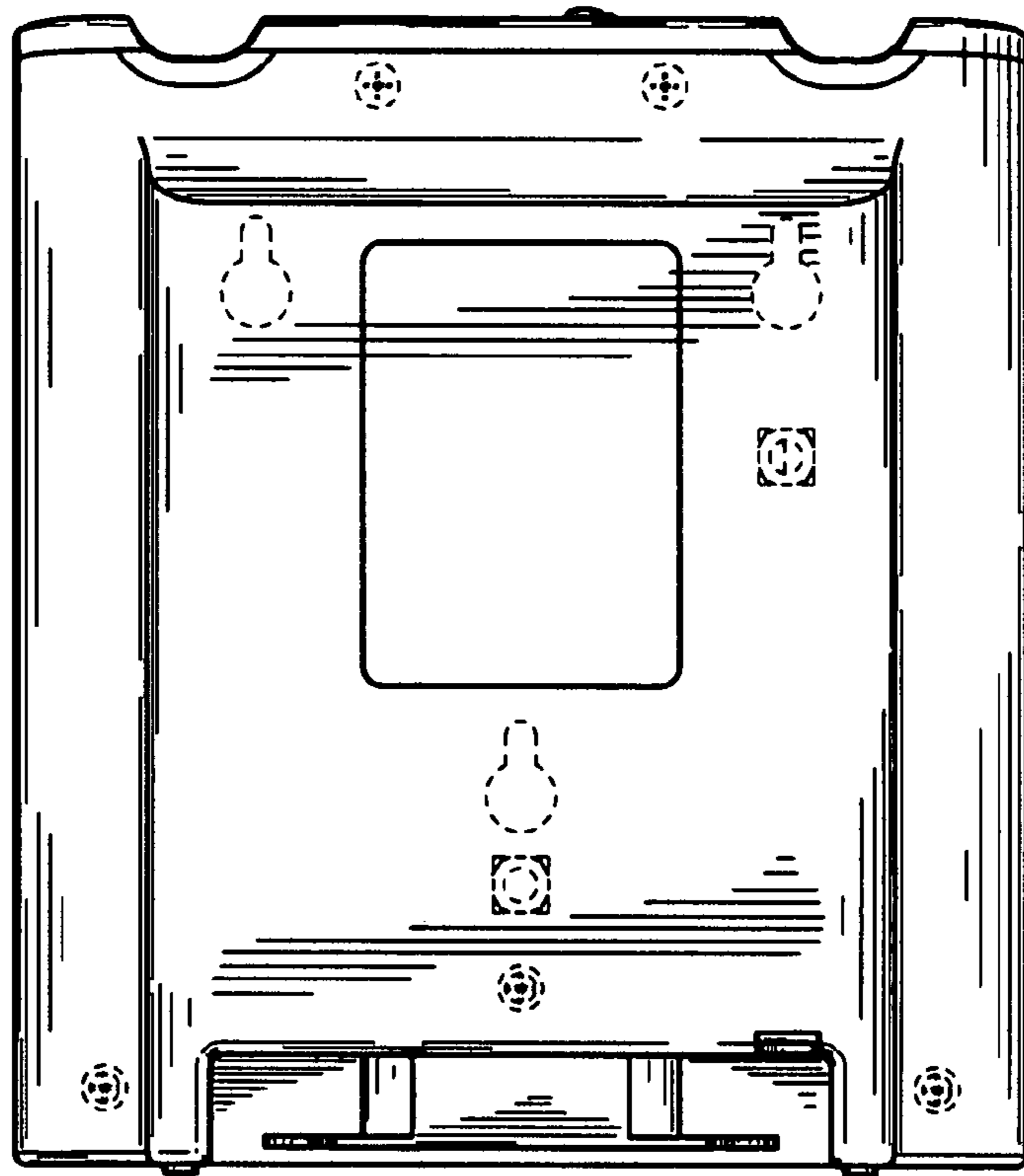


Fig. 3

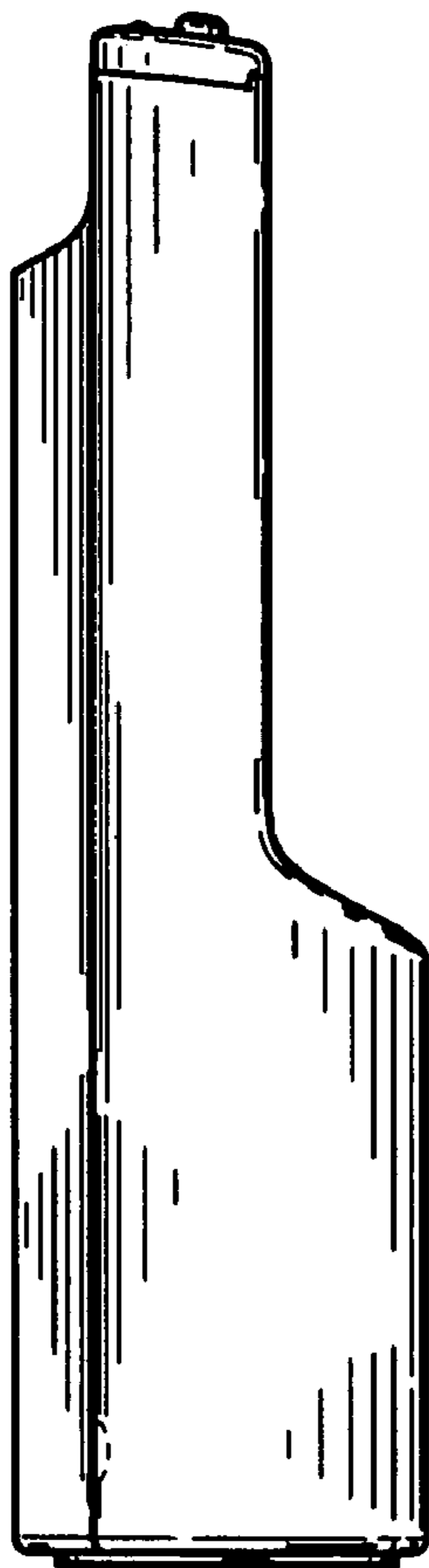


Fig. 4



Fig. 5

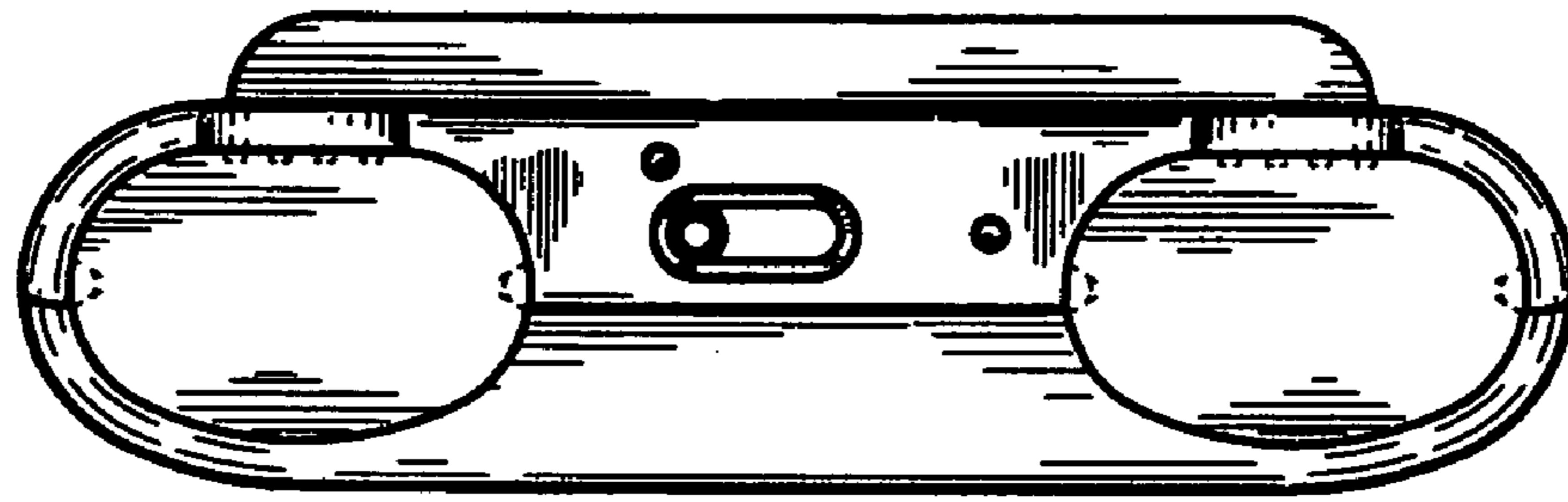


Fig. 6

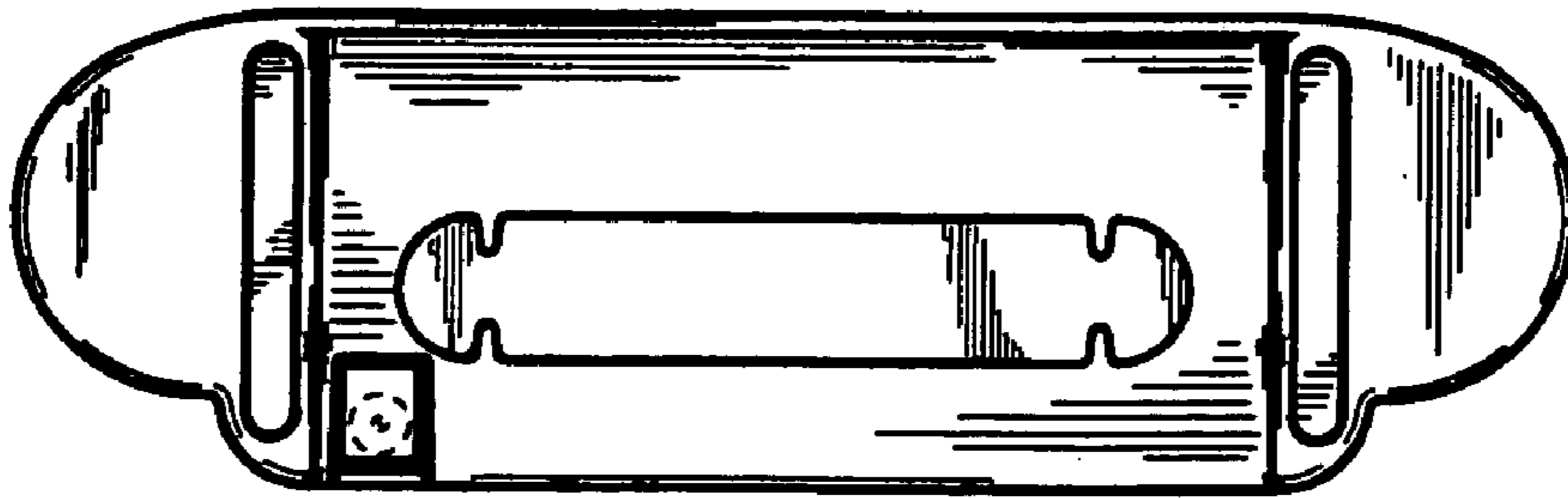


Fig. 7