



US00D563313S

(12) **United States Design Patent**
Ueda et al.

(10) **Patent No.:** **US D563,313 S**
(45) **Date of Patent:** **** Mar. 4, 2008**

- (54) **BATTERY CHARGER**
- (75) Inventors: **Arinobu Ueda**, Tokyo (JP); **Kazuki Isono**, Kanagawa (JP)
- (73) Assignee: **Sony Corporation**, Tokyo (JP)
- (**) Term: **14 Years**
- (21) Appl. No.: **29/269,452**
- (22) Filed: **Dec. 1, 2006**
- (30) **Foreign Application Priority Data**
Jun. 2, 2006 (JP) D2006-014178
- (51) **LOC (8) Cl.** **13-02**
- (52) **U.S. Cl.** **D13/107**
- (58) **Field of Classification Search** D13/107-110,
D13/118-119, 184; D14/251, 253, 432,
D14/434; 320/107-115
See application file for complete search history.

- (56) **References Cited**
U.S. PATENT DOCUMENTS
D310,203 S 8/1990 Takahashi et al.
D331,220 S * 11/1992 Tsuchiya D13/107
D348,427 S 7/1994 Ohmaki et al.
D350,113 S * 8/1994 Nagele D13/110

(Continued)

- FOREIGN PATENT DOCUMENTS
- JP D1070747 S 5/2000
- JP D1071207 S 5/2000
- JP D1076597 S 6/2000
- JP D1076598 S 6/2000
- JP D1078608 S 7/2000
- JP D1079699-1 S 7/2000
- JP D1079699 S 7/2000
- JP D1079700-1 S 7/2000

- JP D1079700-2 S 7/2000
- JP D1079700 S 7/2000
- JP D1083414 S 8/2000
- JP D1114489 S 7/2001
- JP D1125656 S 11/2001
- JP D1125771 S 11/2001

(Continued)

OTHER PUBLICATIONS

Office Action mailed Feb. 27, 2007.

(Continued)

Primary Examiner—Cathron Brooks
Assistant Examiner—Rosemary K Tarcza
(74) *Attorney, Agent, or Firm*—Rader, Fishman & Grauer PLLC

(57) **CLAIM**

The ornamental design for a battery charger, as shown and described.

DESCRIPTION

The patent file contains at least one drawing executed in color. Copies of this patent with color drawings will be provided by the Office upon request and payment of the necessary fee.

FIG. 1 is a perspective view of a battery charger showing our new design;

FIG. 2 is a front elevational view thereof;

FIG. 3 is a rear elevational view thereof;

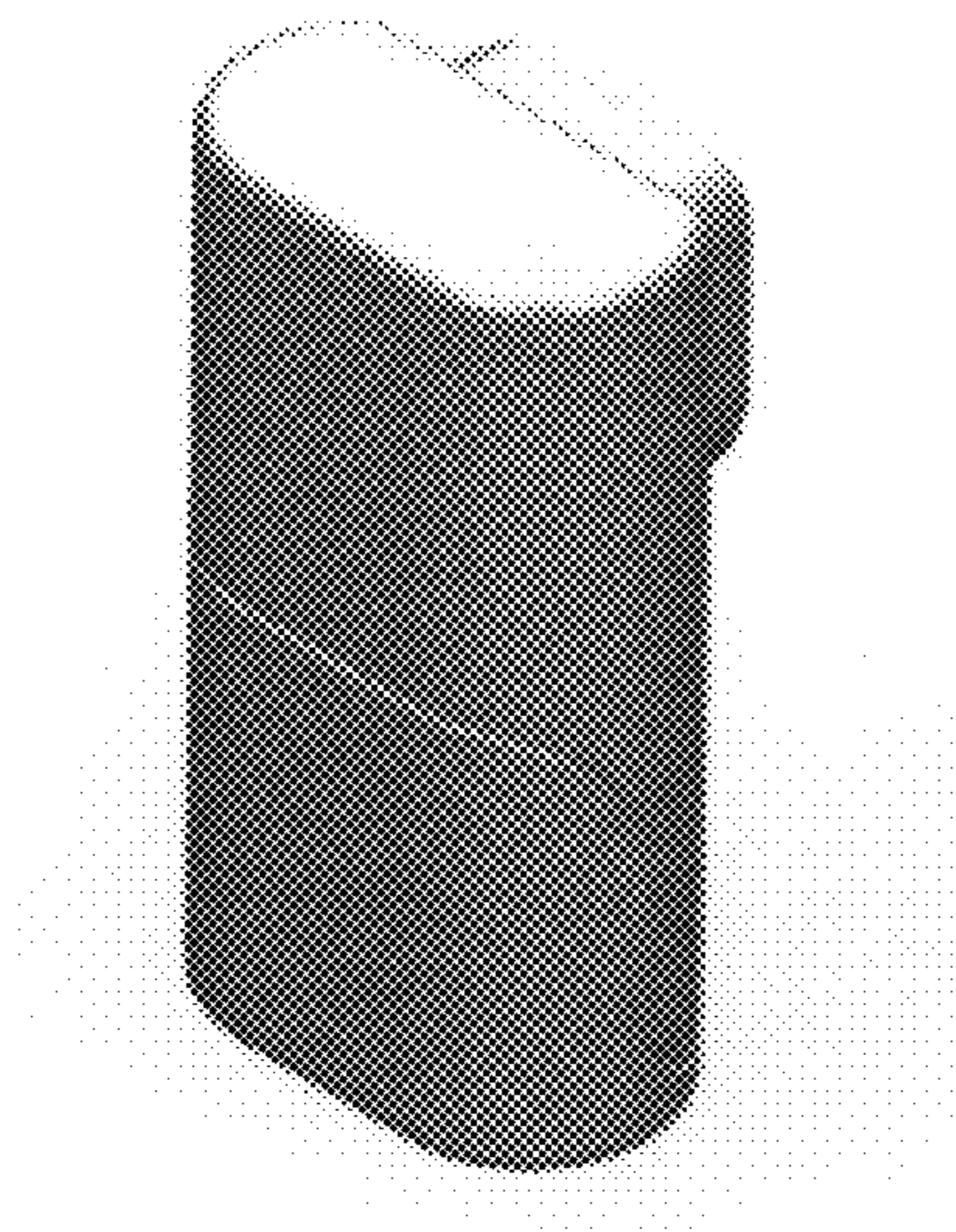
FIG. 4 is a left side elevational view thereof;

FIG. 5 is a right side elevational view thereof;

FIG. 6 is a top plan view thereof; and,

FIG. 7 is a bottom plan view thereof.

1 Claim, 7 Drawing Sheets
(7 of 7 Drawing Sheet(s) Filed in Color)



US D563,313 S

Page 2

U.S. PATENT DOCUMENTS

D356,776 S 3/1995 Yoshii
5,415,947 A 5/1995 Mitsui et al.
D362,424 S 9/1995 Sumita et al.
5,613,863 A * 3/1997 Klaus et al. 439/131
D396,446 S * 7/1998 Kettula et al. D13/107
D403,656 S 1/1999 Ichikawa
D406,259 S * 3/1999 Lindahl D13/110
D412,487 S * 8/1999 Nagele et al. D13/108
D417,188 S 11/1999 Maeyama
D425,480 S * 5/2000 Jokinen D13/107
D427,965 S * 7/2000 Wu D13/107
D428,384 S 7/2000 Maeyama
D434,370 S * 11/2000 Sun et al. D13/107
D442,544 S * 5/2001 Ku D13/107
D443,856 S 6/2001 Lehtovaara
D449,030 S * 10/2001 Baxter et al. D13/110
D454,837 S 3/2002 Ibuki et al.

D456,004 S 4/2002 Lie
D503,922 S 4/2005 Shimizu
D515,501 S 2/2006 Kawasaki
D543,935 S * 6/2007 Ke D13/107
D546,281 S * 7/2007 Bell D13/107

FOREIGN PATENT DOCUMENTS

JP D1158813 S 11/2002
JP D1190073 S 11/2003
JP D1206468 S 5/2004
JP D1207466 S 6/2004
JP D1207509 S 6/2004
JP D1212150 S 7/2004

OTHER PUBLICATIONS

Office Action and Search Report issued on Aug. 24, 2007 (Taiwan).

* cited by examiner

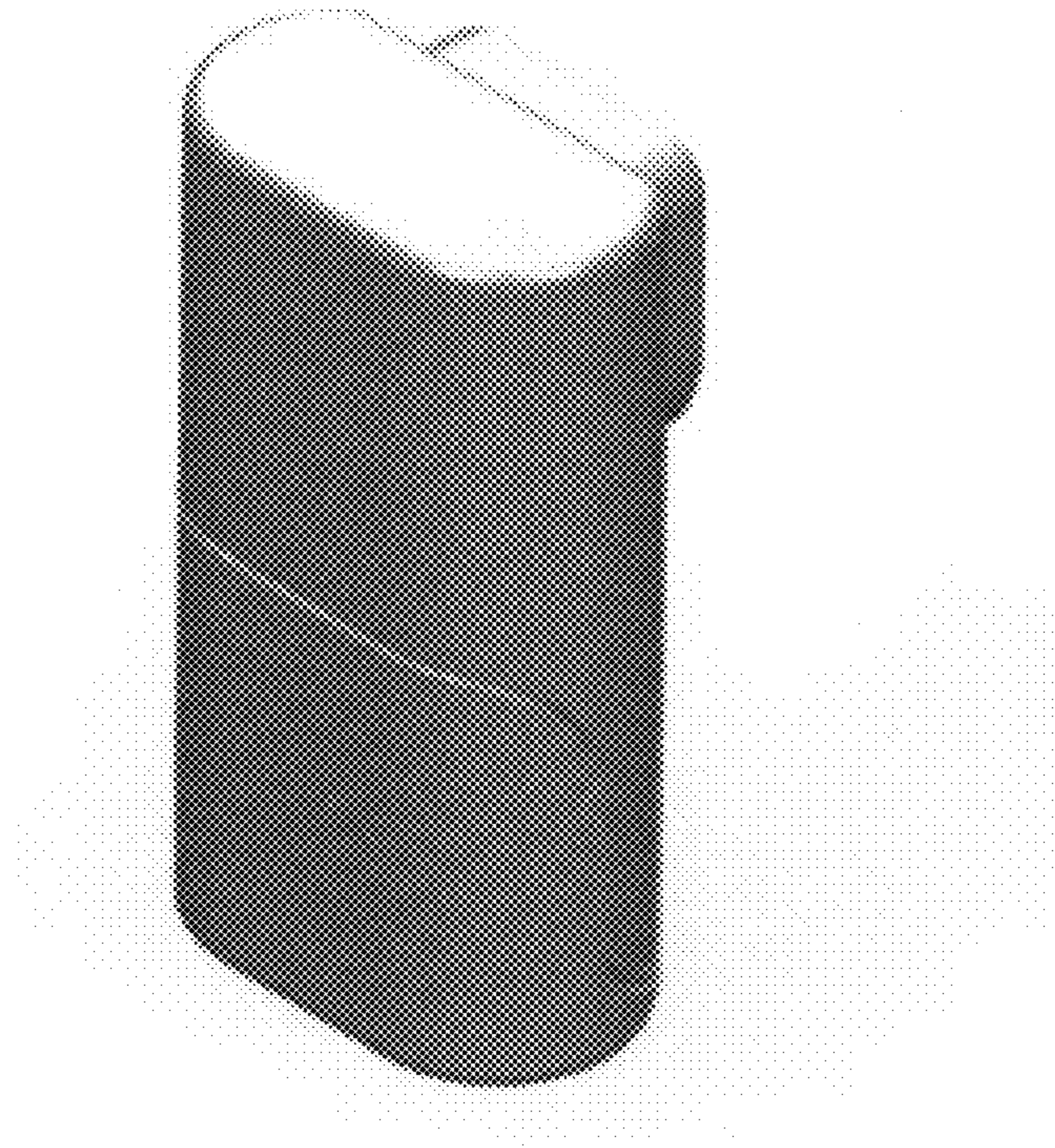


FIG. 1

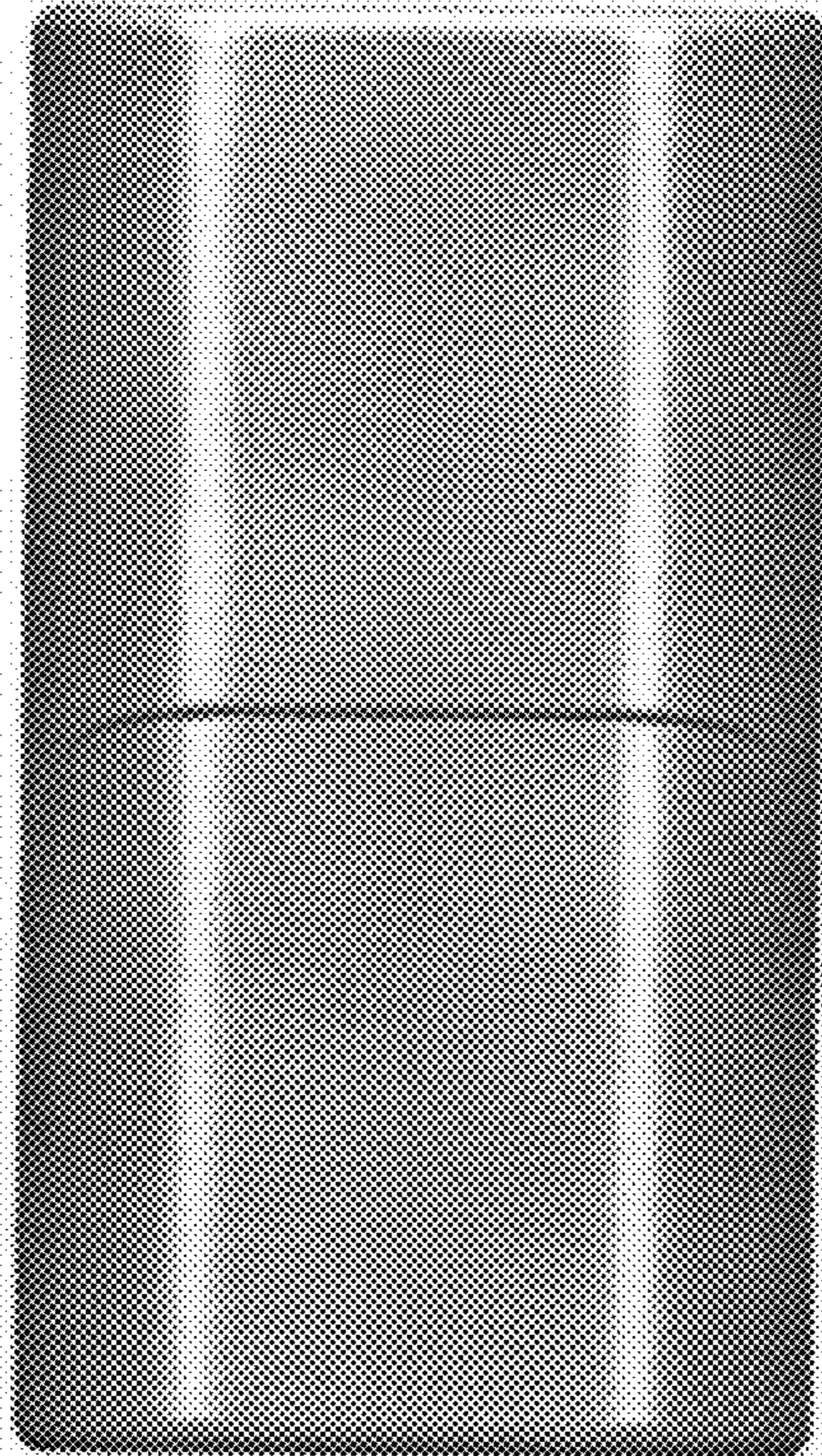


FIG. 2

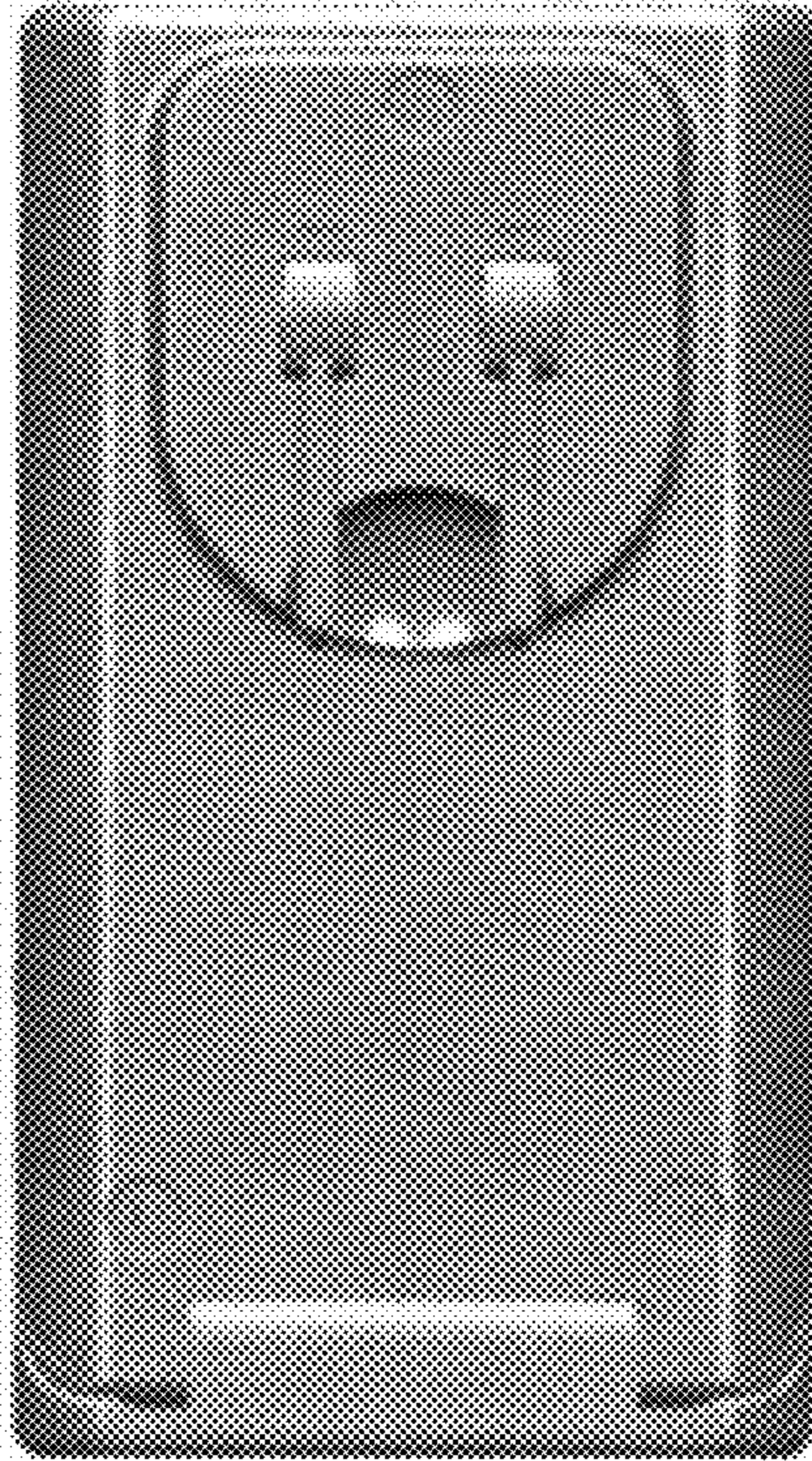


FIG. 3

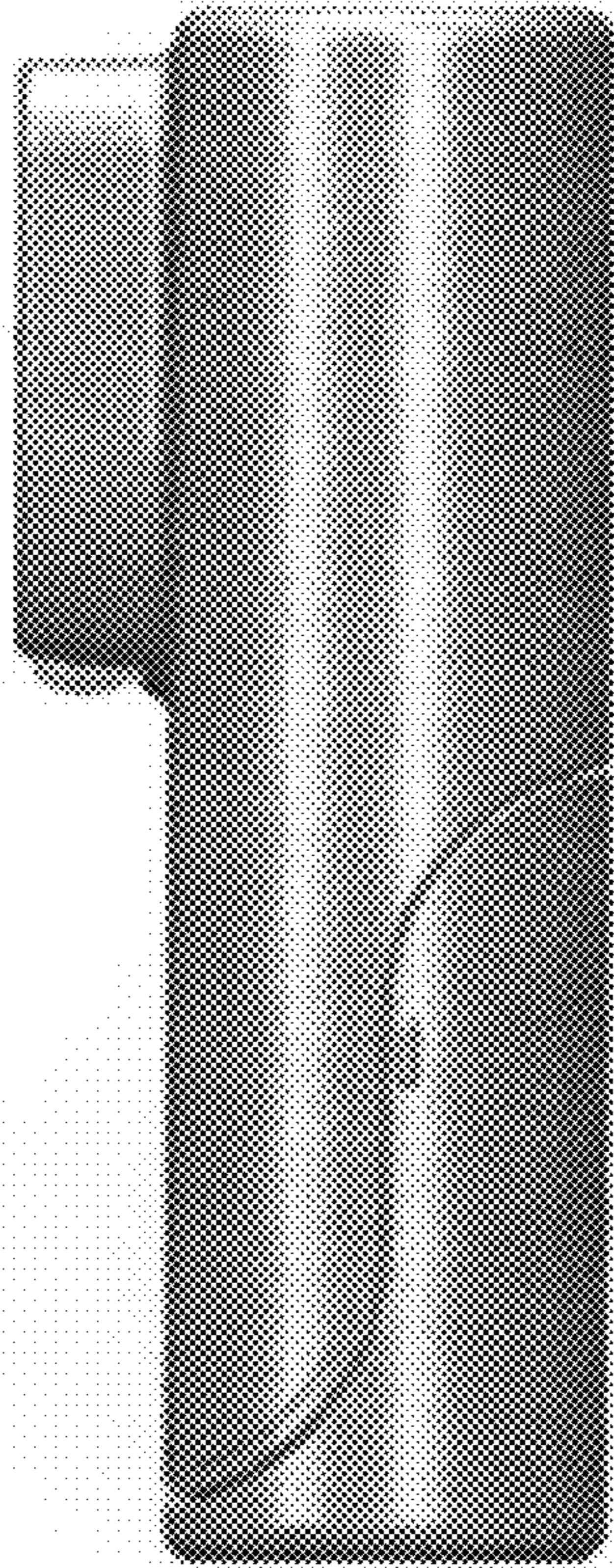


FIG. 4

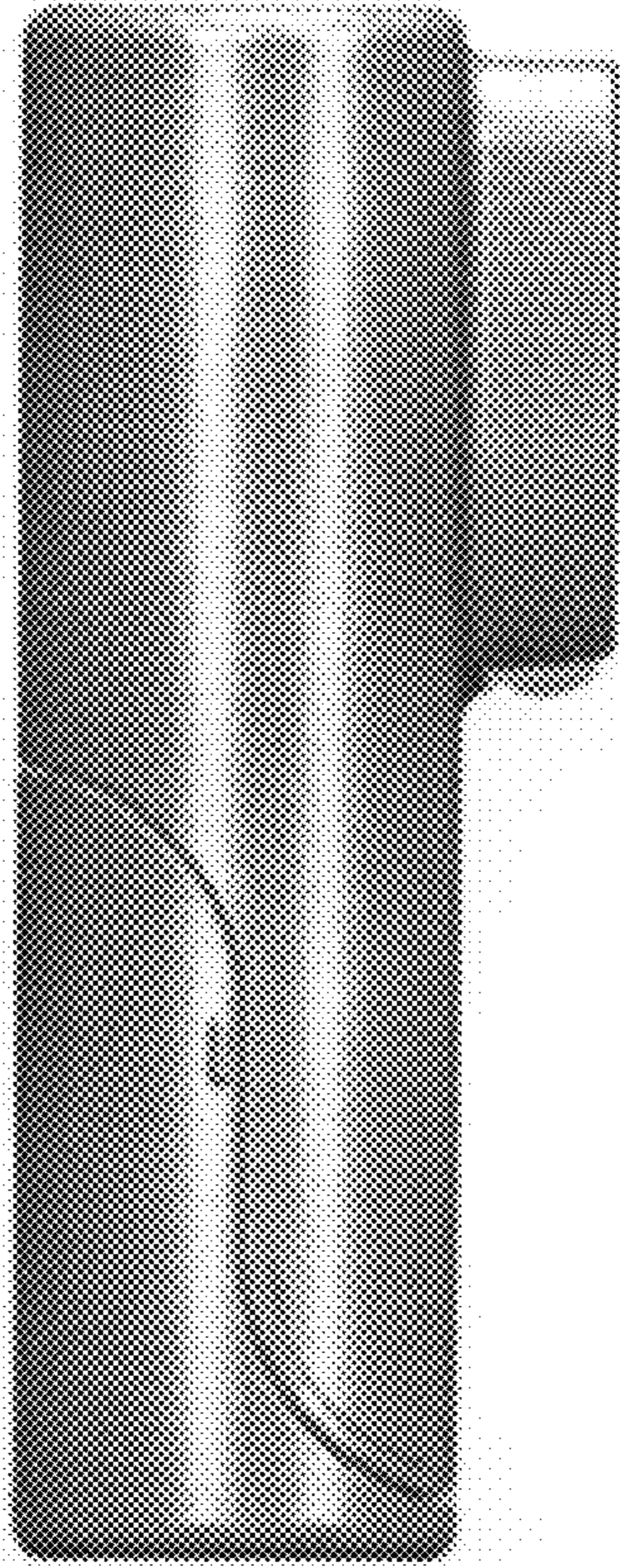


FIG. 5

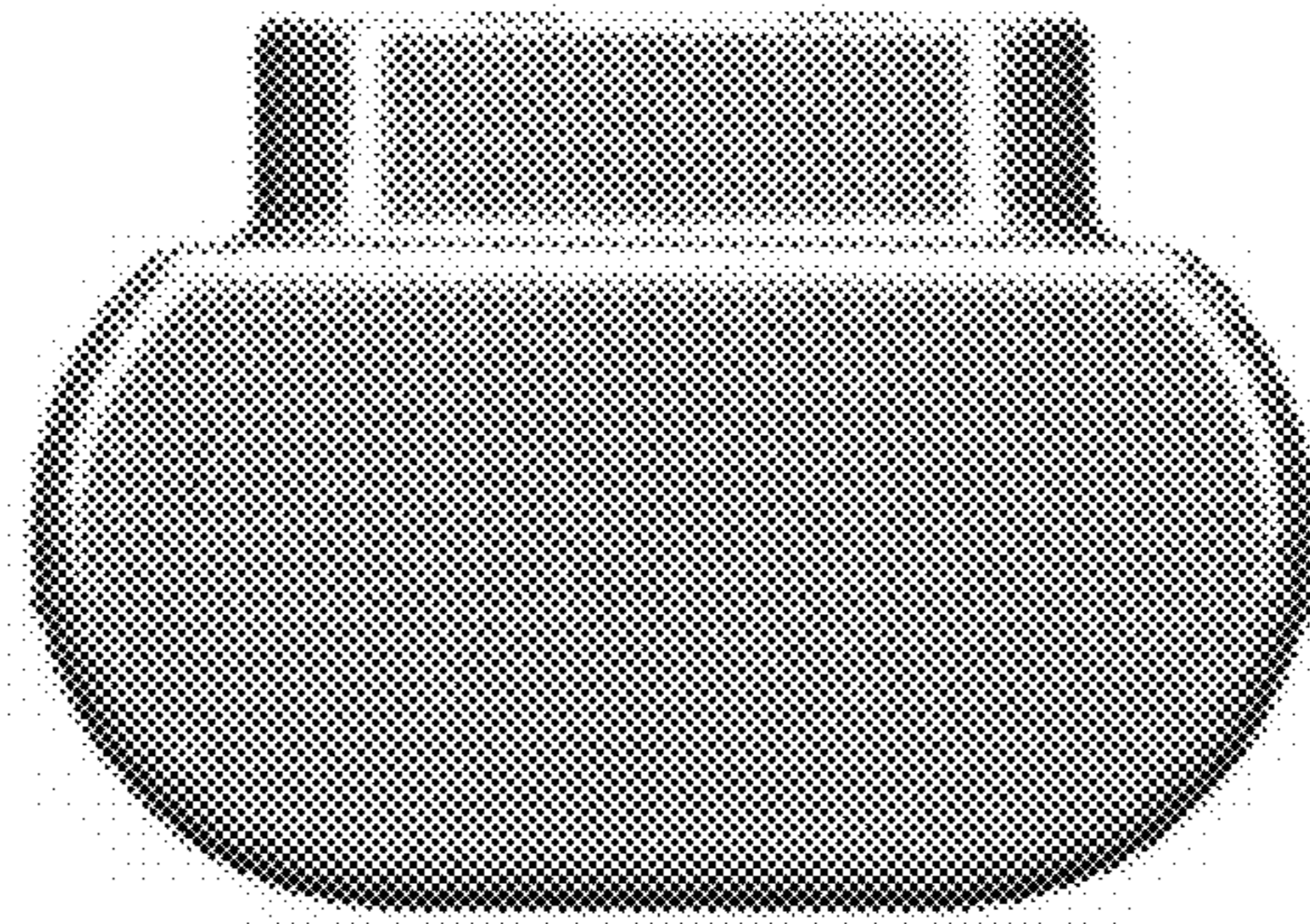


FIG. 6

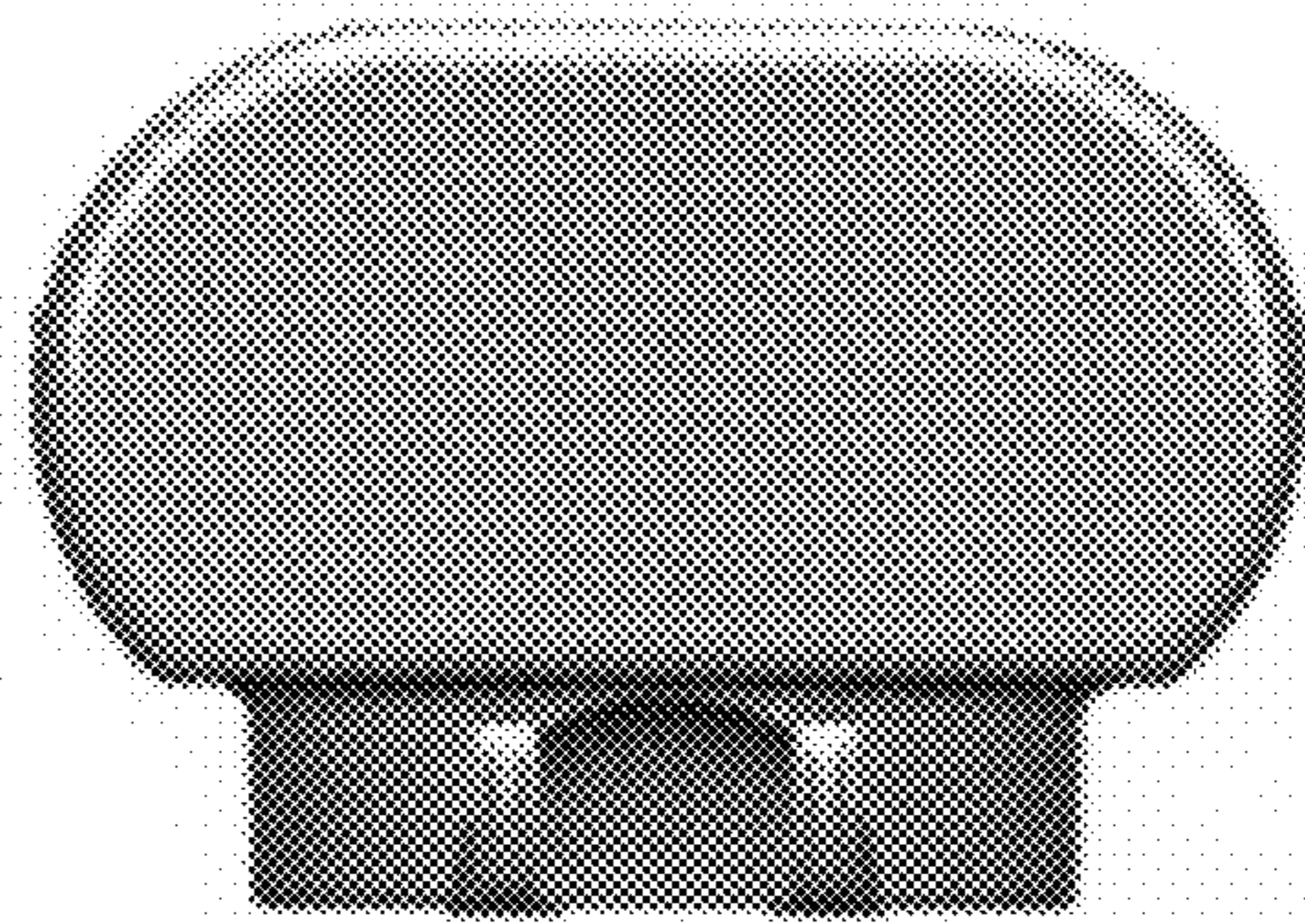


FIG. 7