



US00D563309S

(12) **United States Design Patent**
Richter

(10) **Patent No.:** **US D563,309 S**
(45) **Date of Patent:** **** Mar. 4, 2008**

(54) **OBJECT CARRIER WITH EXCHANGEABLE FLEXIBLE SUPPORT ARM**

(76) Inventor: **Harald Richter**, Höhenstrasse 32,
75331 Engelsbrand (DE)

(**) Term: **14 Years**

(21) Appl. No.: **29/270,972**

(22) Filed: **Jan. 5, 2007**

(51) **LOC (8) Cl.** **12-16**

(52) **U.S. Cl.** **D12/415; D8/373; D14/447**

(58) **Field of Classification Search** D12/400,
D12/415; D14/447, 434, 251, 253; D8/71,
D8/373, 350, 355, 363; D6/512; 296/37.5,
296/37.12; 224/273, 929, 545-548; 379/454,
379/455; 248/284.1, 346, 548, 483, 185,
248/917, 278, 923, 518, 519, 274.1, 205.5,
248/206.2

See application file for complete search history.

(56) **References Cited**

U.S. PATENT DOCUMENTS

625,917	A *	5/1899	Arnold	248/274.1
2,481,271	A *	9/1949	Willey	248/159
D231,195	S *	4/1974	Reynolds	D12/415
D248,636	S *	7/1978	Stanley	D12/415
4,842,174	A *	6/1989	Sheppard et al.	224/548
D332,789	S *	1/1993	Rak	D12/415
D388,762	S *	1/1998	Nagy	D12/415
D398,796	S *	9/1998	Fauchald et al.	D6/512
D410,622	S *	6/1999	Richter	D12/425
D419,415	S *	1/2000	Richter	D8/71
6,113,047	A *	9/2000	Wung et al.	248/284.1
D487,270	S *	3/2004	Richter	D14/447
6,749,160	B1 *	6/2004	Richter	248/206.2
D522,843	S *	6/2006	Richter	D8/363
D530,333	S *	10/2006	Richter	D14/447
D533,053	S *	12/2006	Brassard	D8/373

D533,054	S *	12/2006	Brassard	D8/373
D533,055	S *	12/2006	Brassard	D8/373
D533,174	S *	12/2006	Richter	D14/251
7,226,026	B2 *	6/2007	Lin	248/205.5
7,229,059	B1 *	6/2007	Hood	248/518
2004/0155164	A1 *	8/2004	Richter	248/274.1

* cited by examiner

Primary Examiner—Stacia Cadmus

(74) *Attorney, Agent, or Firm*—Klaus J. Bach

(57) **CLAIM**

The ornamental design for an object carrier with exchangeable flexible support arm, as shown and described.

DESCRIPTION

FIG. 1 is a perspective view of an object carrier with exchangeable flexible support arm;

FIG. 2 is a front view of the object carrier with exchangeable flexible support arm shown in FIG. 1;

FIG. 3 is a left side view of the object carrier with exchangeable flexible support arm shown in FIG. 1; a right side view is mirror-reversed,

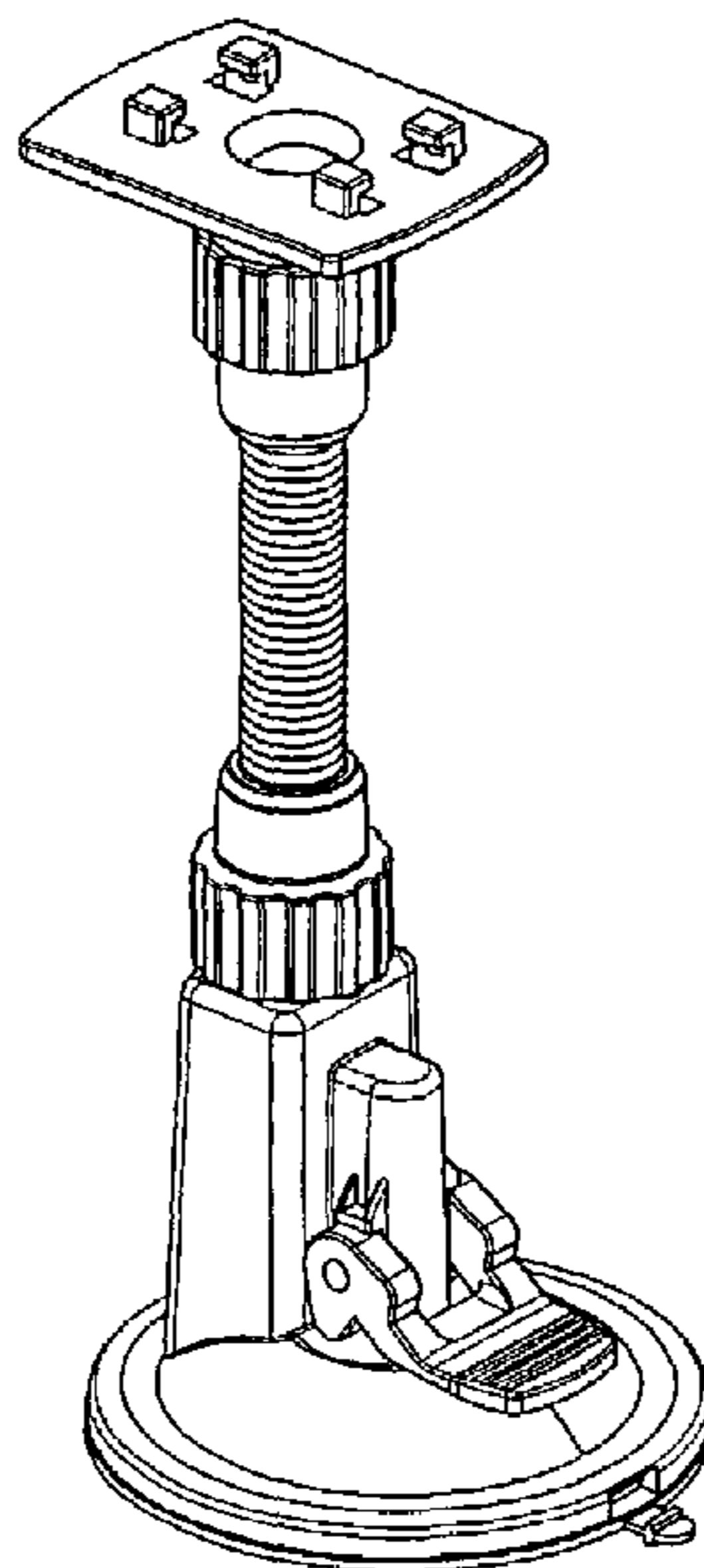
FIG. 4 is a rear view of the object carrier with exchangeable flexible support arm shown in FIG. 1,

FIG. 5 is a top view of the object carrier with exchangeable flexible support arm shown in FIG. 1; and,

FIG. 6 is a perspective bottom view of the object carrier with exchangeable flexible support arm shown in FIG. 1.

The object carrier with exchangeable flexible support arm is used for mounting supports for apparatus or instruments such as mobile telephones, hand-held computers, PDAs, navigation devices by way of a suction cup on smooth surfaces such as windshields in positions convenient for the user.

1 Claim, 2 Drawing Sheets



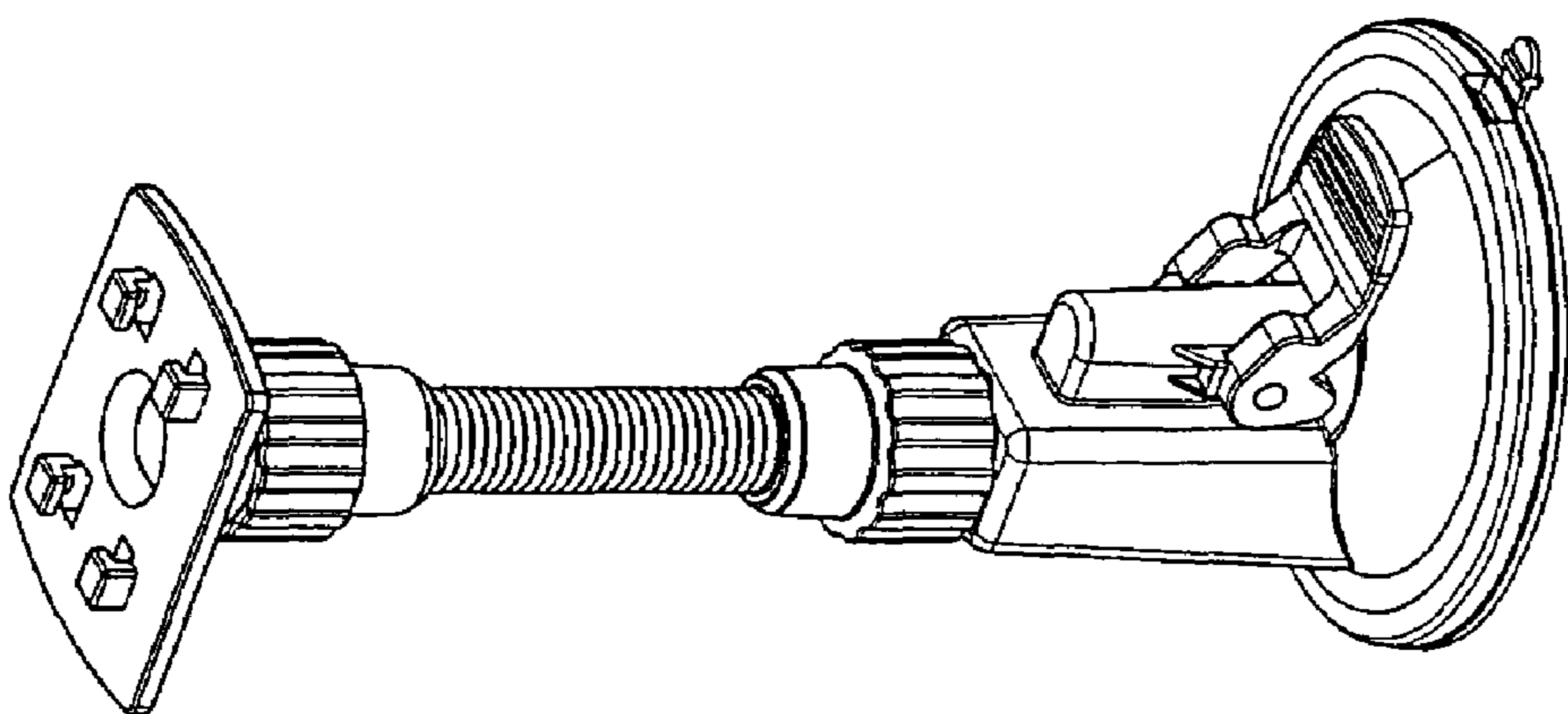


Fig. 1

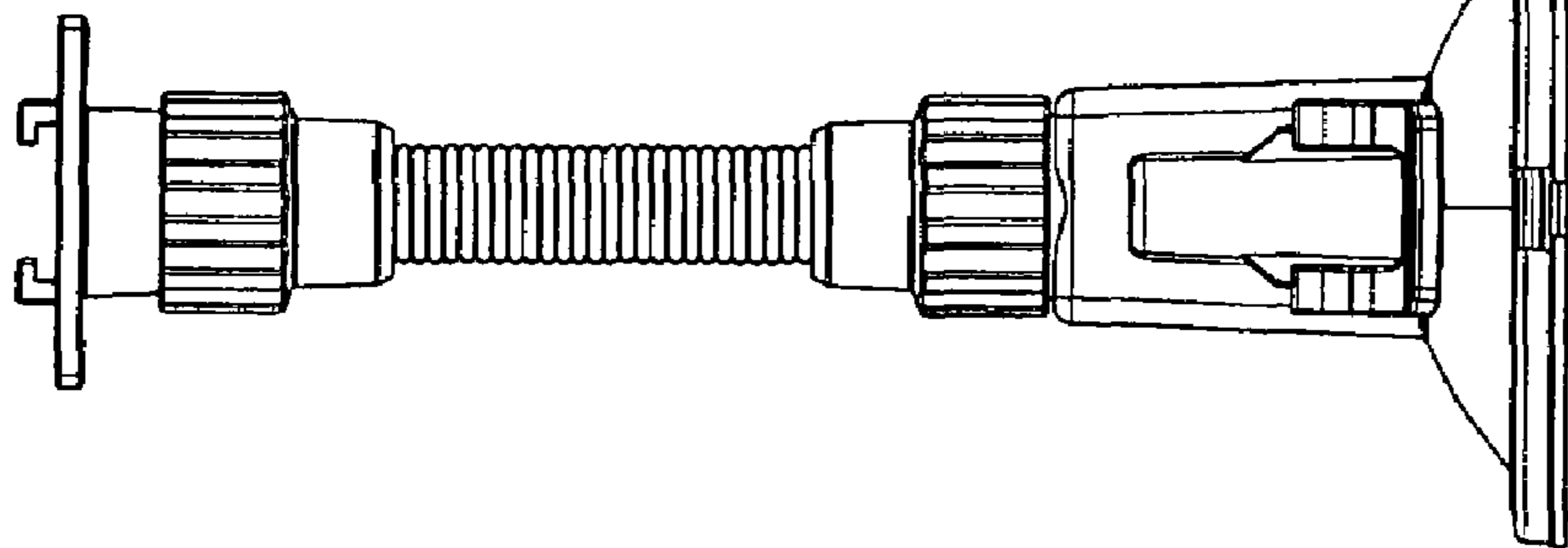


Fig. 2

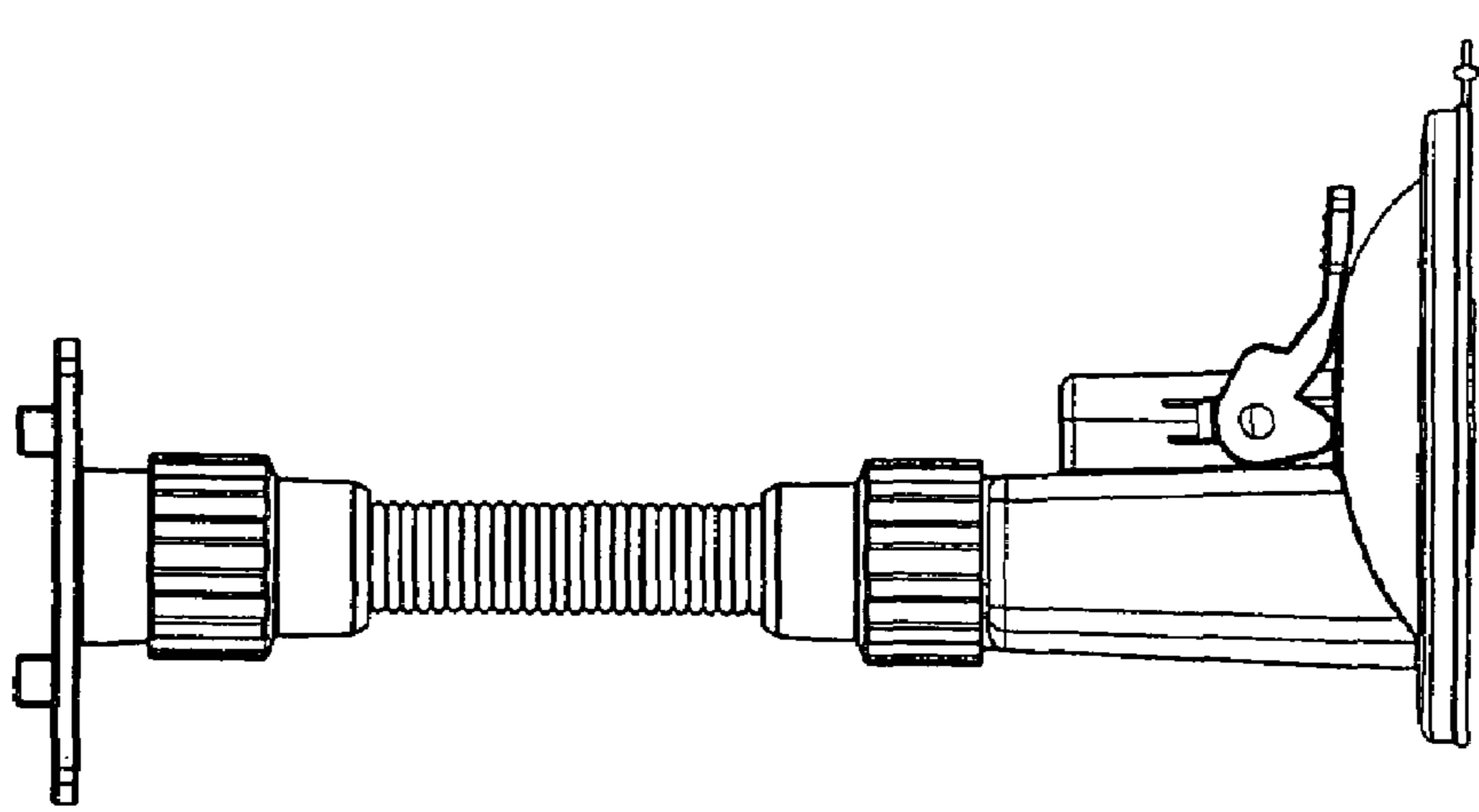


Fig. 3

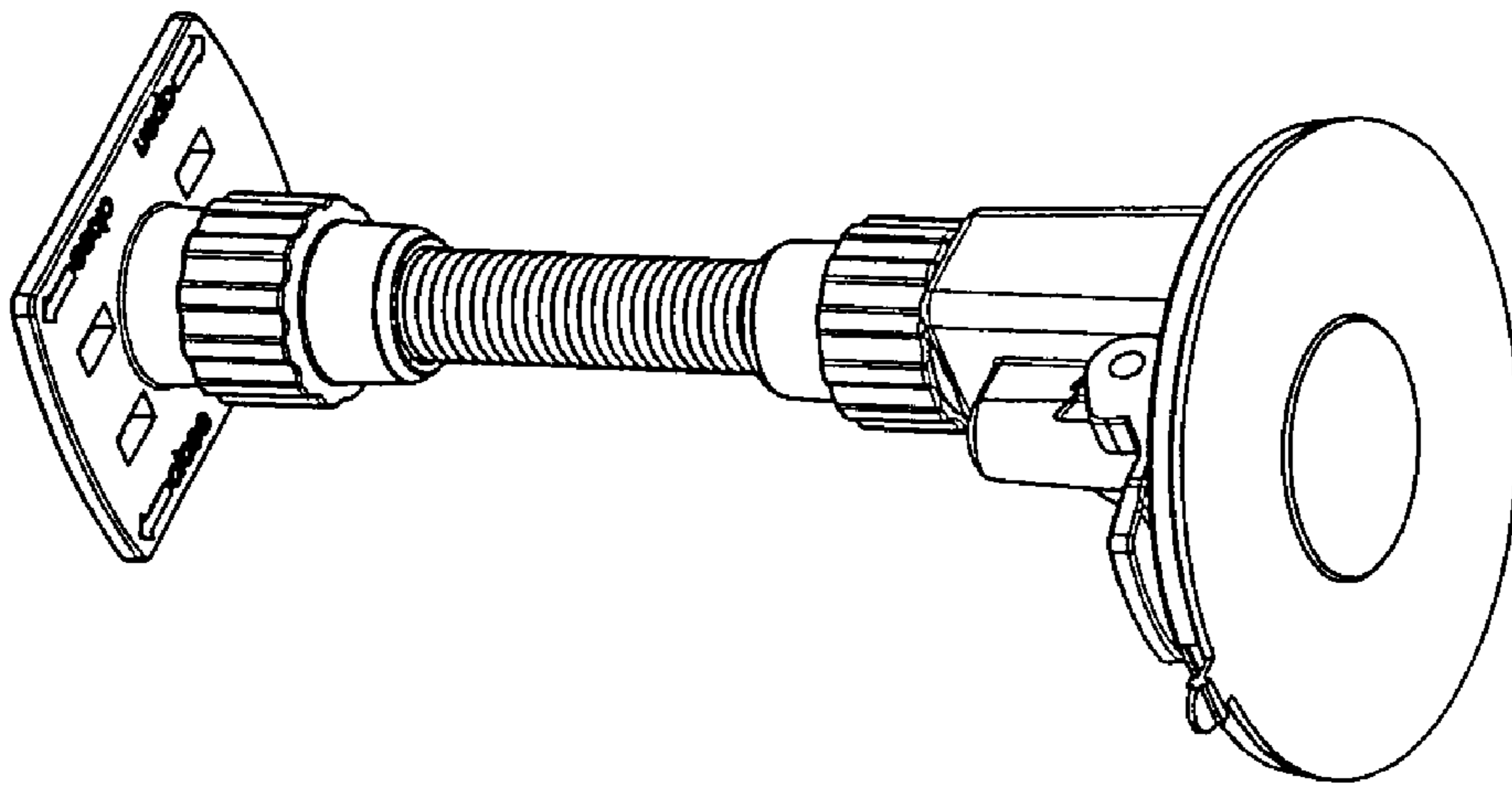


Fig. 6

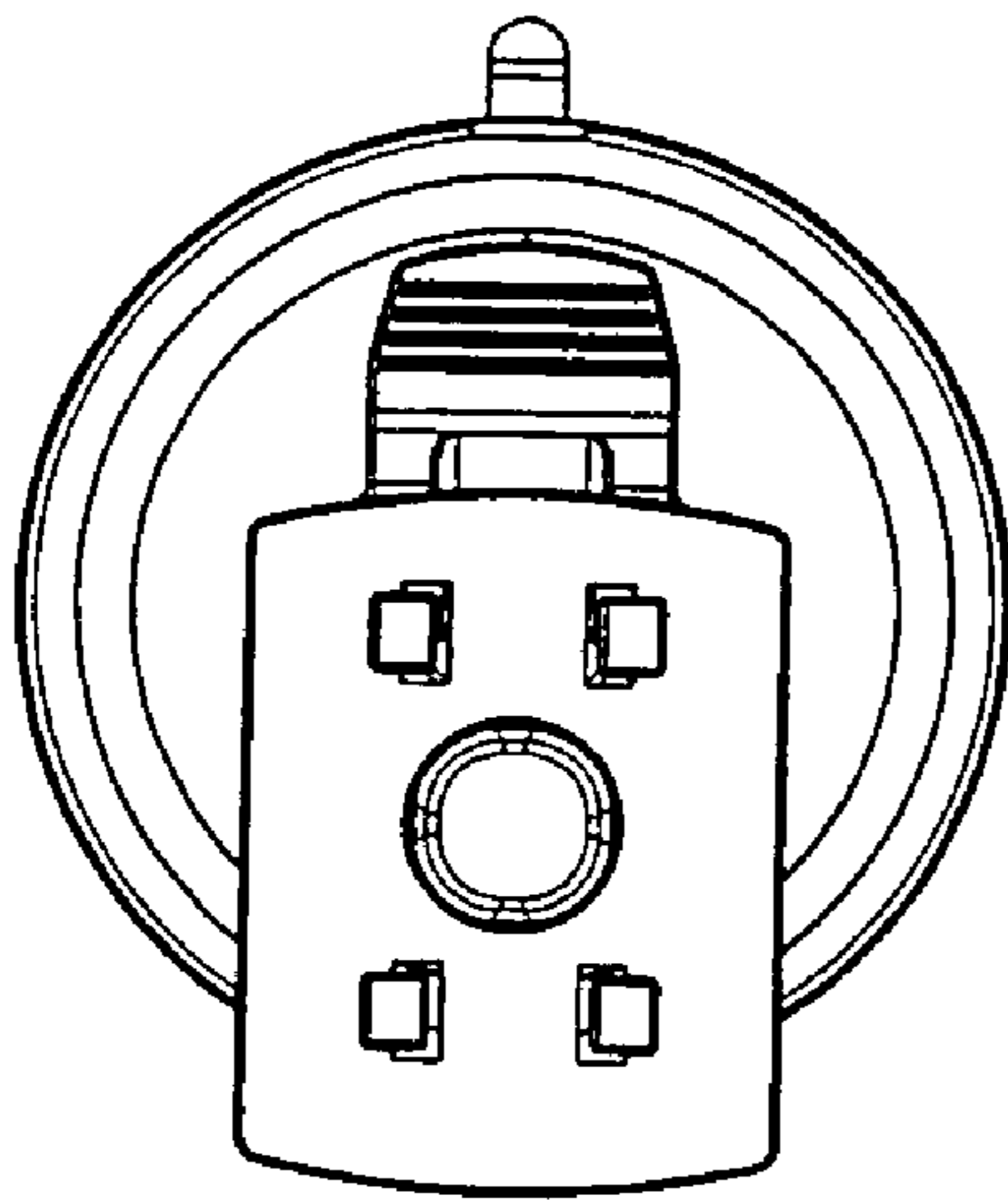


Fig. 5

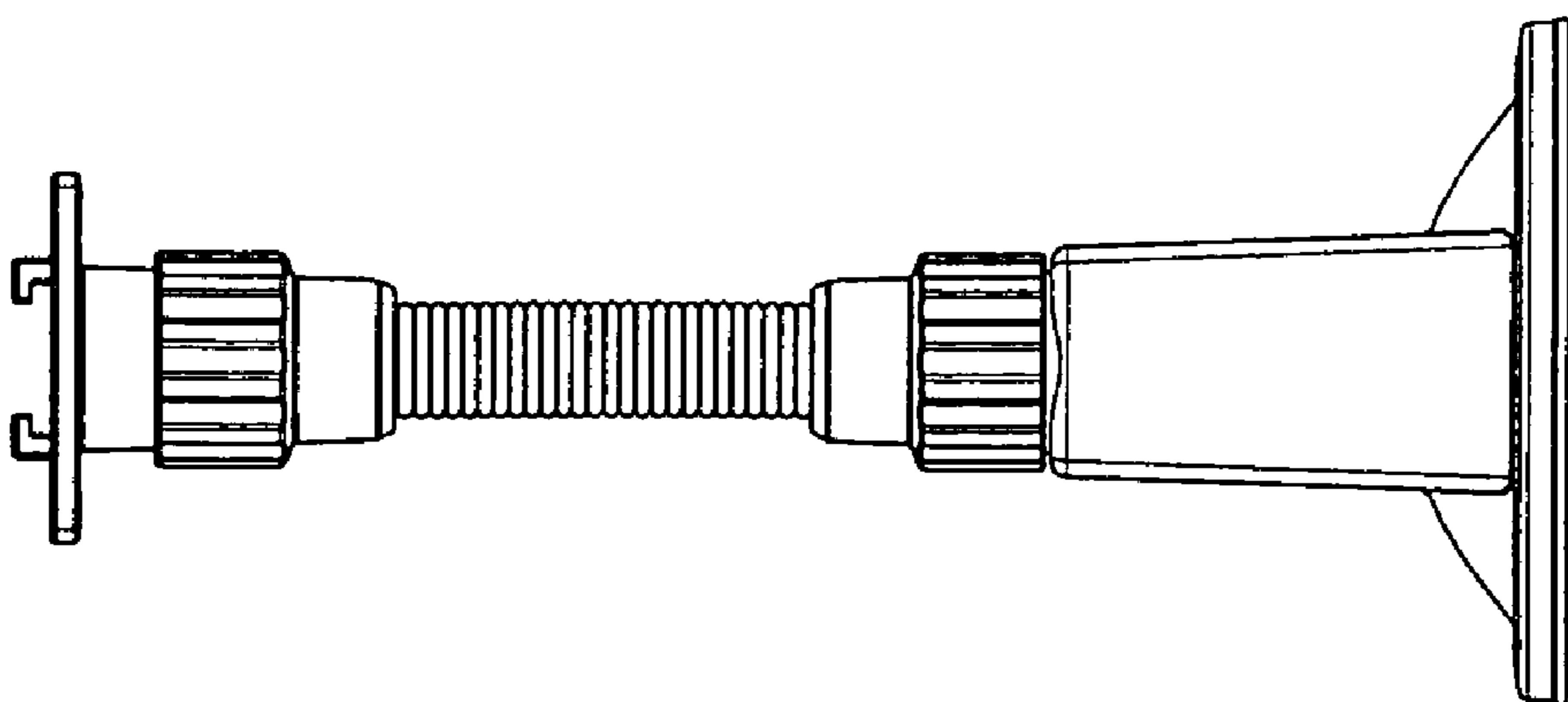


Fig. 4