



US00D563307S

(12) **United States Design Patent**
Edmundson

(10) **Patent No.:** **US D563,307 S**
(45) **Date of Patent:** **** Mar. 4, 2008**

(54) **WATER CRAFT**

(76) Inventor: **Jeffrey Brian Edmundson**, 1070 SE.
9th St., Hermiston, OR (US) 97838

(**) Term: **14 Years**

(21) Appl. No.: **29/257,463**

(22) Filed: **Apr. 3, 2006**

(51) **LOC (8) Cl.** **12-06**

(52) **U.S. Cl.** **D12/300**

(58) **Field of Classification Search** D12/300,
D12/302, 303, 316, 317; 114/61.2, 61.24,
114/61.25, 343, 345, 347, 348, 350, 353,
114/354, 363, 357; D21/801, 809, 810
See application file for complete search history.

(56) **References Cited**

U.S. PATENT DOCUMENTS

3,027,574 A	4/1962	Meehan
3,803,653 A	4/1974	Trostad
4,756,700 A	7/1988	Coleman
4,872,861 A	10/1989	Gaudin
5,080,620 A	1/1992	Reden
5,213,535 A	5/1993	Richens, Jr.
5,247,898 A	9/1993	Thornlimb
5,249,998 A	10/1993	Woolley et al.
D349,740 S	8/1994	Tabor
5,514,017 A	5/1996	Chimiak
5,655,939 A	8/1997	Garrido Salvadores
5,791,957 A	8/1998	De La Cierva, Jr.
5,881,665 A	3/1999	Ratcliff

5,979,351 A	11/1999	Fleischman et al.
6,443,787 B2	9/2002	Woolley
6,477,976 B2	11/2002	Van Gelder
6,530,582 B2	3/2003	Dempster
6,638,125 B1	10/2003	Mossel
2003/0106479 A1	6/2003	Suh

Primary Examiner—Holly H. Baynham
Assistant Examiner—Cynthia M. Chin
(74) *Attorney, Agent, or Firm*—Kolisch Hartwell, P.C.

(57) **CLAIM**

I claim the ornamental design for a water craft, as shown and described.

DESCRIPTION

FIG. 1 is a top plan view of a water craft showing my new design.

FIG. 2 is a bottom plan view thereof.

FIG. 3 is a left side elevational view thereof, the right side elevational view being a mirror image thereof.

FIG. 4 is a front elevational view thereof; and,

FIG. 5 is a rear elevational view thereof.

The broken or dashed lines shown in the drawings are for illustrative purposes only and form no part of the claimed design.

The shading lines shown in the drawings represent the three-dimensional contour of the design, and are not intended to indicate surface decoration.

1 Claim, 2 Drawing Sheets

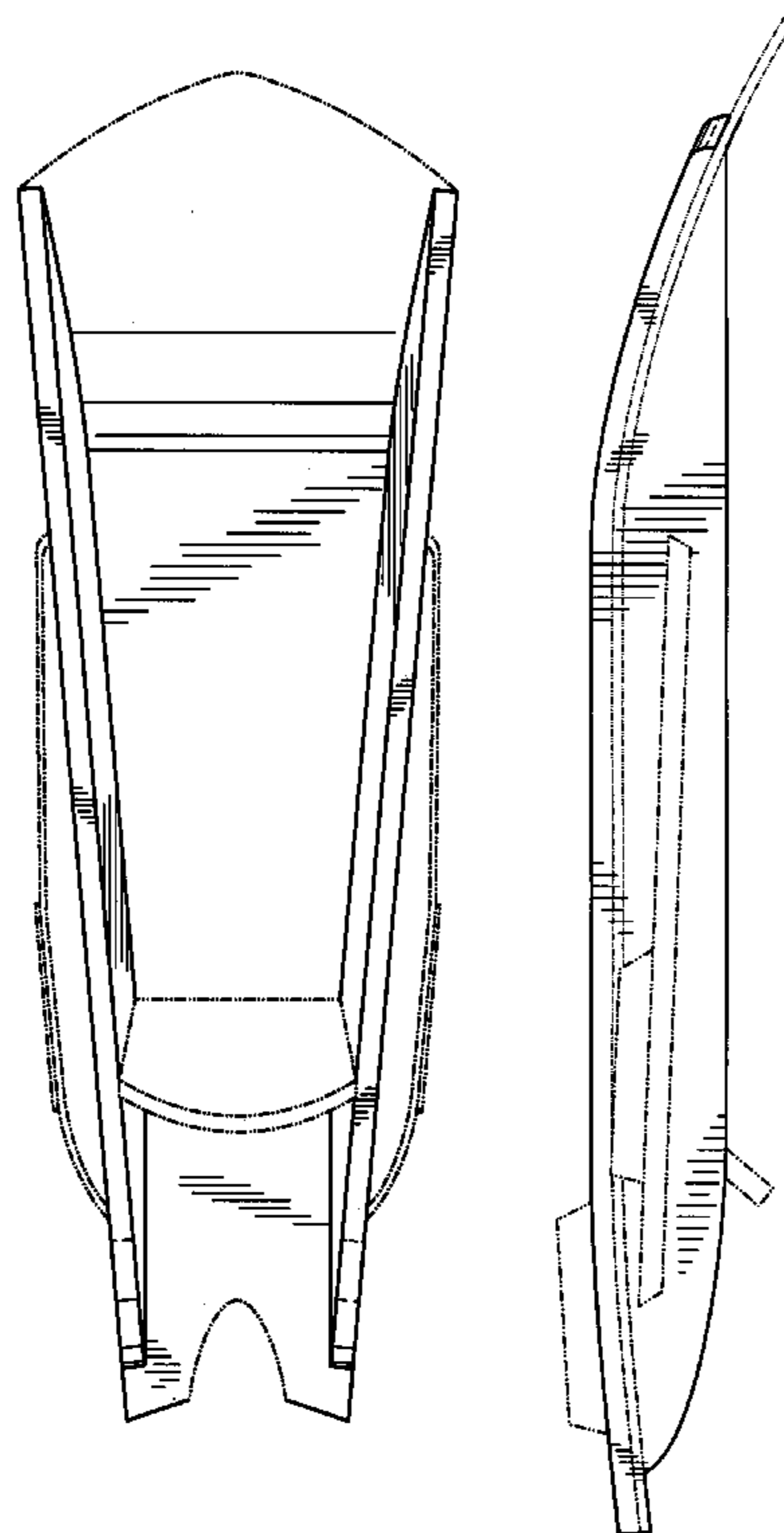


Fig. 1

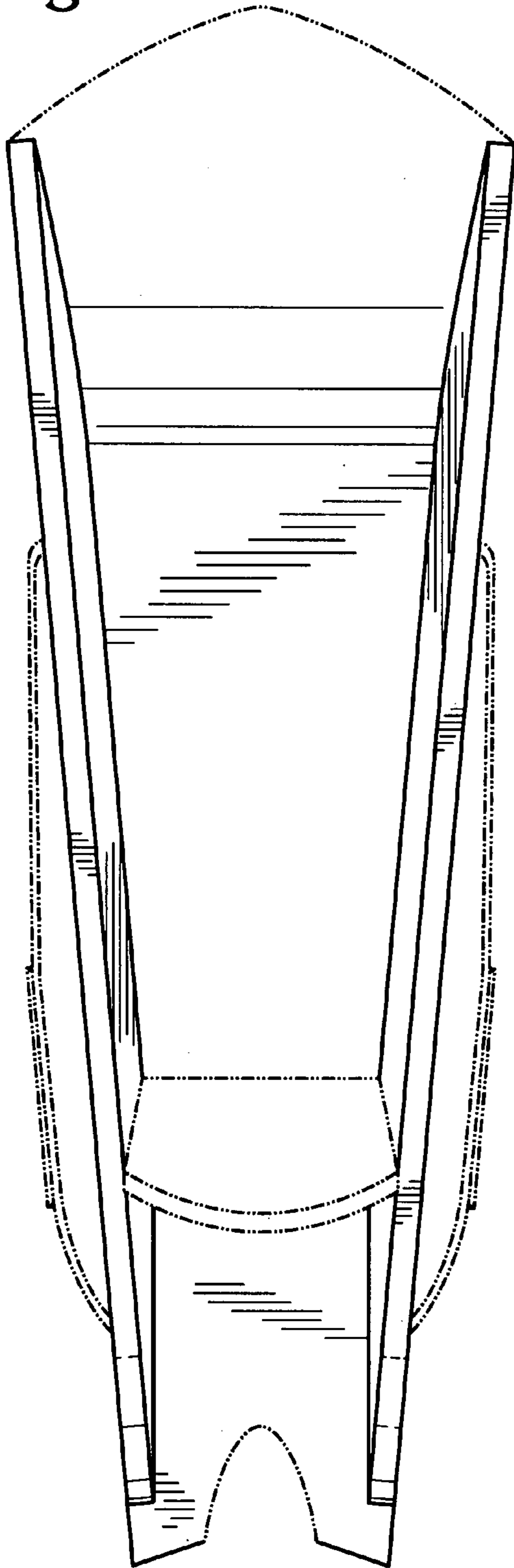


Fig. 2

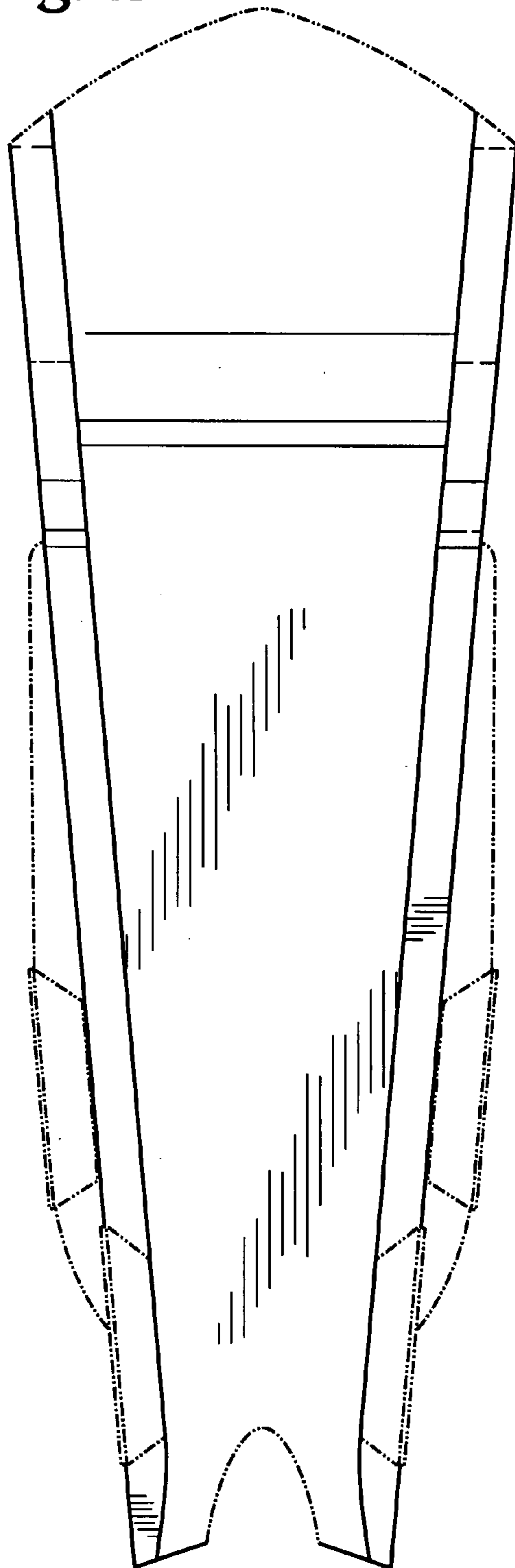


Fig. 3

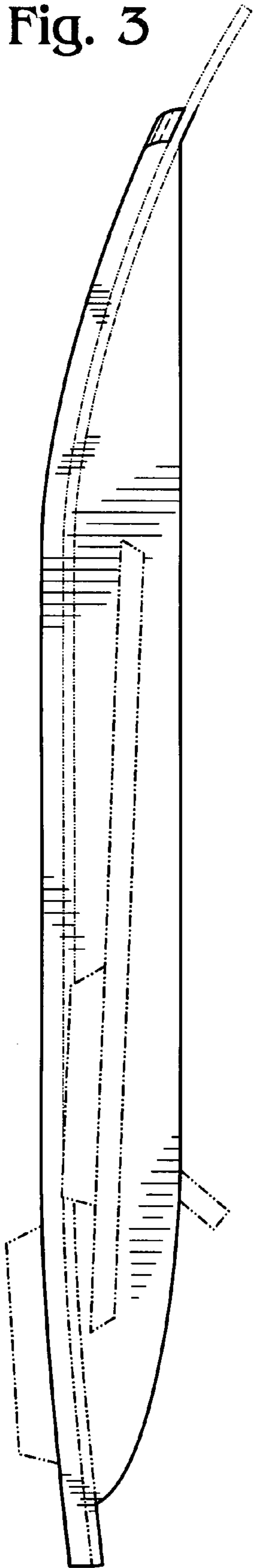


Fig. 4

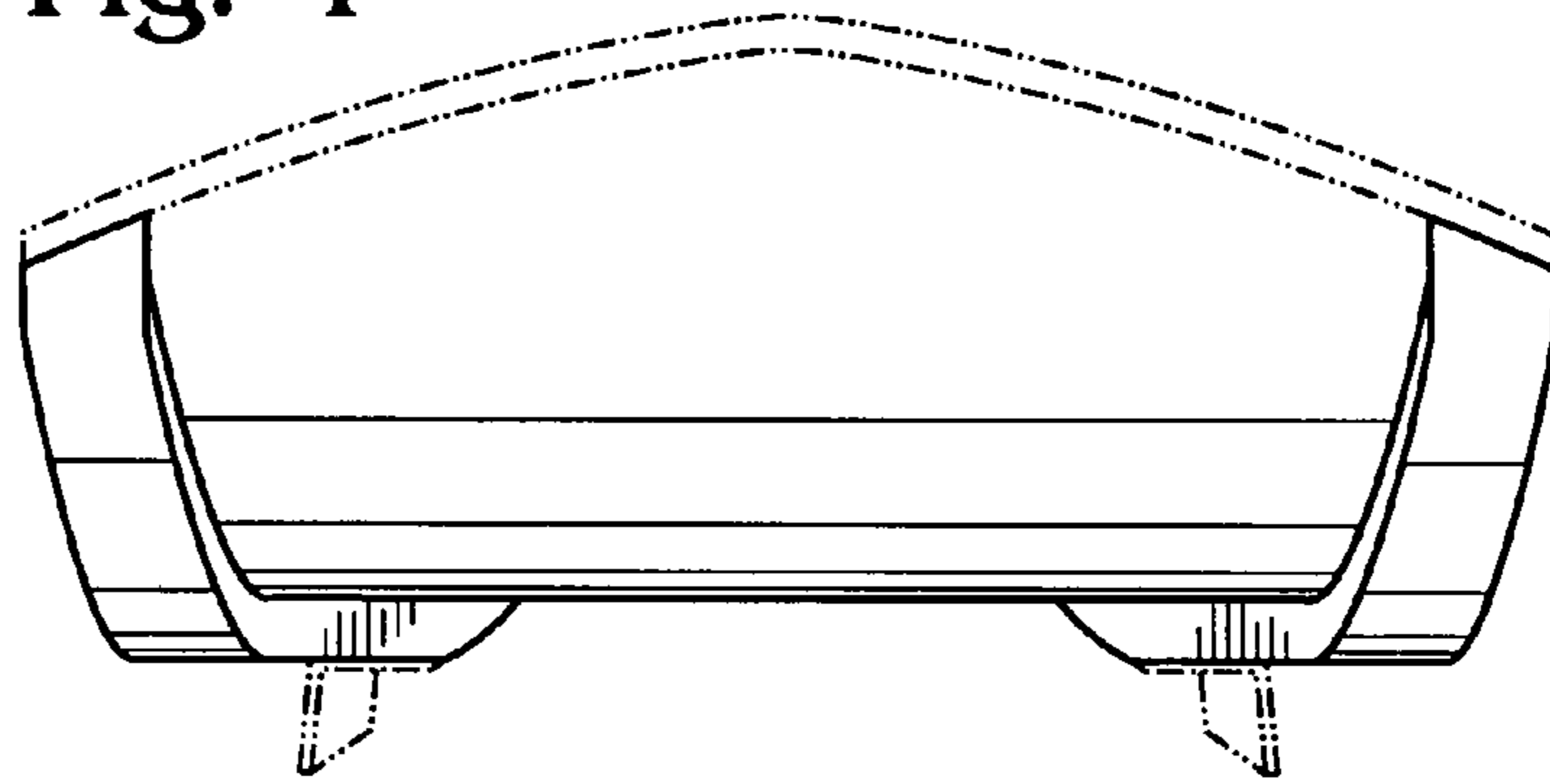


Fig. 5

