



US00D563306S

(12) **United States Design Patent**
Pfeiffer

(10) **Patent No.:** **US D563,306 S**

(45) **Date of Patent:** **** Mar. 4, 2008**

(54) **SEGMENT OF THE FRONT FACE OF A VEHICLE WHEEL**

(75) Inventor: **Peter Pfeiffer**, Boeblingen (DE)

(73) Assignee: **DaimlerChrysler AG**, Stuttgart (DE)

(**) Term: **14 Years**

(21) Appl. No.: **29/274,046**

(22) Filed: **Mar. 26, 2007**

(30) **Foreign Application Priority Data**

Sep. 27, 2006 (DE) 4 06 04 995

(51) **LOC (8) Cl.** **12-16**

(52) **U.S. Cl.** **D12/213**

(58) **Field of Classification Search** D12/204–213;
301/37.101, 64.101, 65
See application file for complete search history.

(56) **References Cited**

U.S. PATENT DOCUMENTS

D503,919 S *	4/2005	Cahyono	D12/211
D505,372 S *	5/2005	Kushartanto	D12/209
D506,172 S *	6/2005	Pfeiffer	D12/211
D510,309 S *	10/2005	Cheng	D12/211
D516,990 S *	3/2006	Schweizer	D12/211
D520,437 S *	5/2006	Scheu	D12/211
D520,932 S *	5/2006	Guevara	D12/211

D532,739 S *	11/2006	Ettensberger	D12/211
D542,209 S *	5/2007	Pfeiffer et al.	D12/211
D546,263 S *	7/2007	Hernandez et al.	D12/211
D547,711 S *	7/2007	Young	D12/211
D548,166 S *	8/2007	Young	D12/211
D550,140 S *	9/2007	Laengerer	D12/211

* cited by examiner

Primary Examiner—Stacia Cadmus

(74) *Attorney, Agent, or Firm*—Crowell & Moring LLP

(57) **CLAIM**

The ornamental design for a segment of the front face of a vehicle wheel, as shown and described.

DESCRIPTION

This application is related to the following co-pending application, of the inventor, filed on even date herewith:

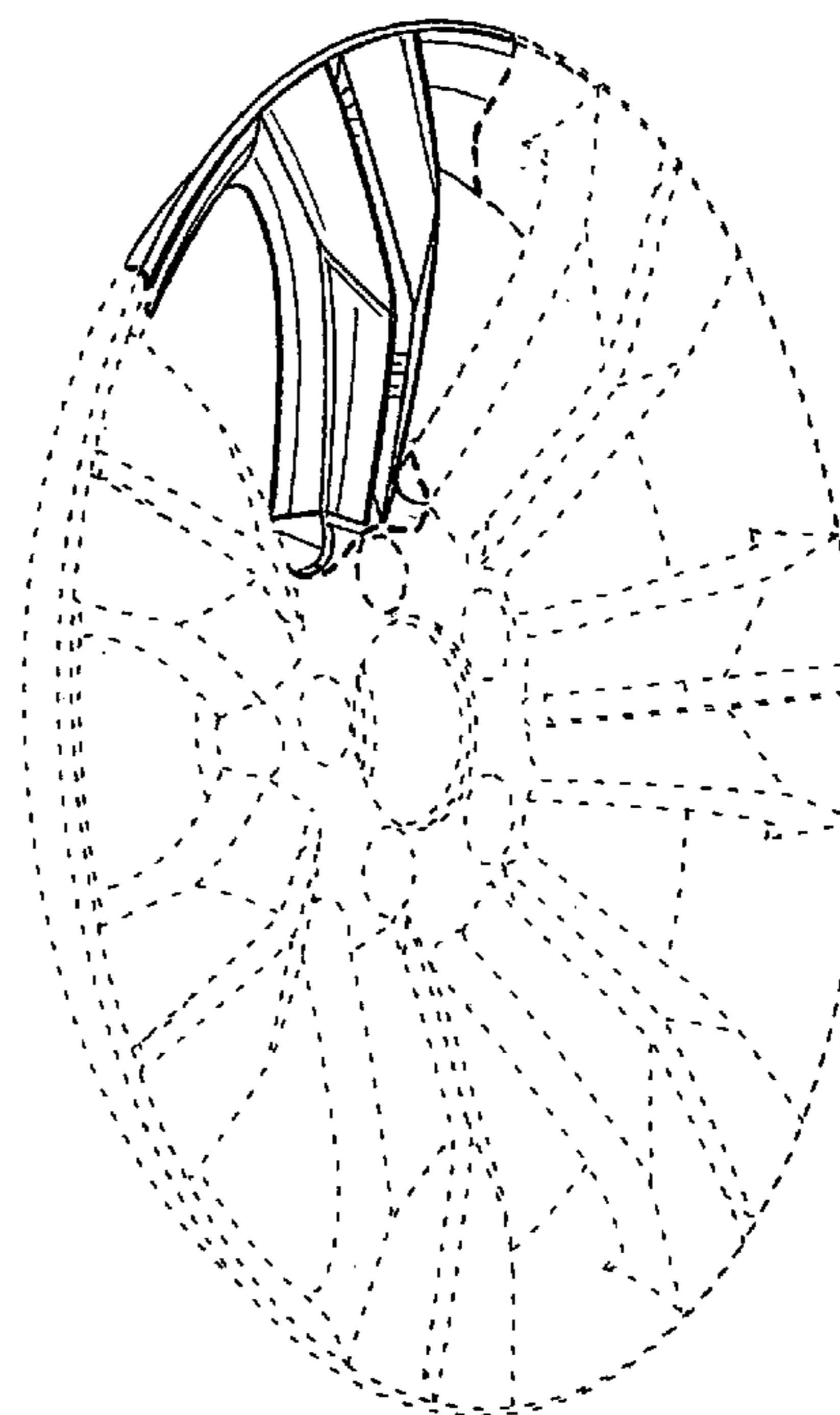
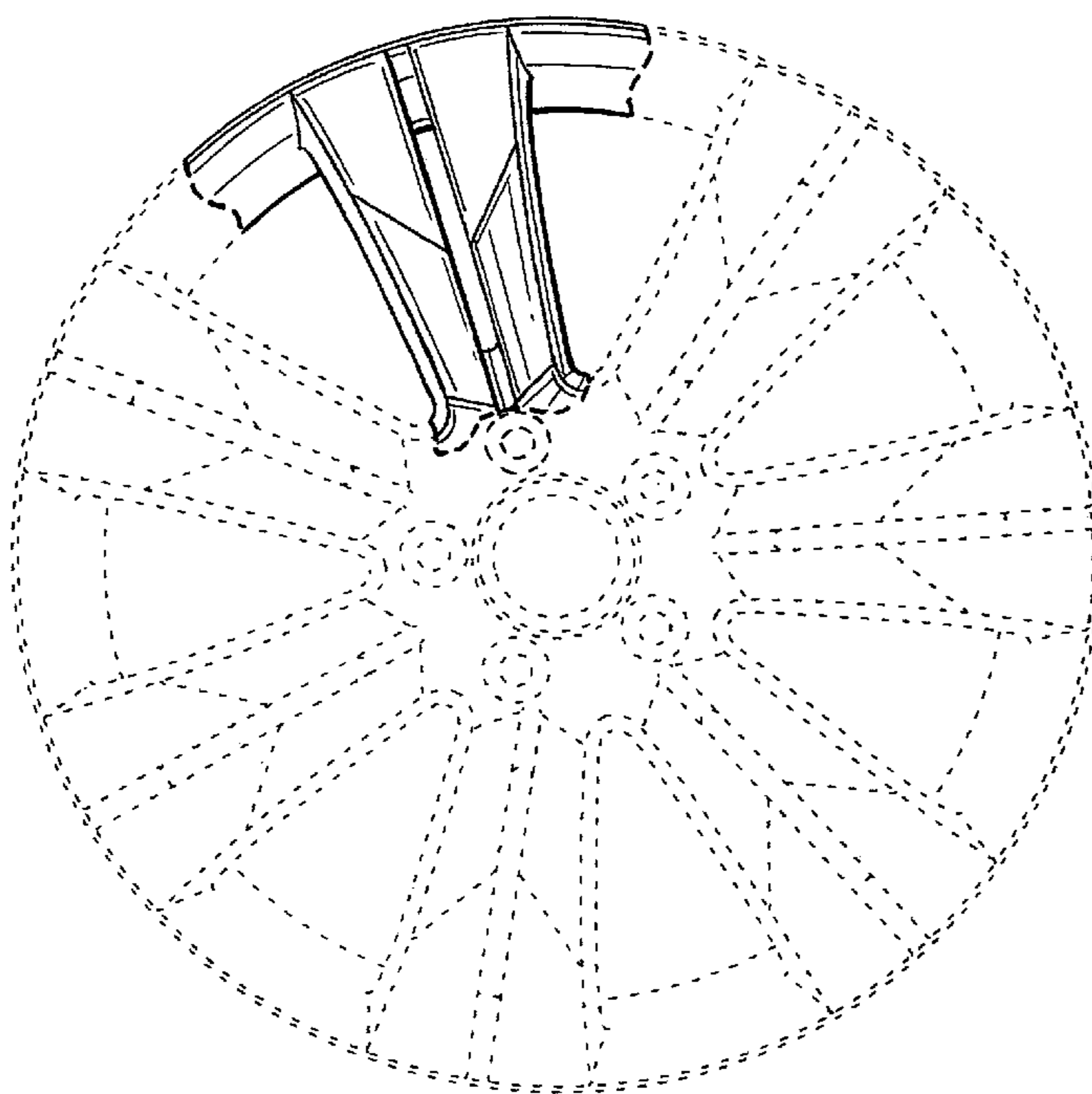
Application Ser. No. 29/274,047, entitled “Front Face of a Vehicle Wheel”.

FIG. 1 is a front view of a segment of the front face of a vehicle wheel according to my novel design; and,

FIG. 2 is a perspective view thereof.

The broken lines which define the bounds of the claimed design form no part thereof. The other broken lines are for illustrative purposes only and form no part of the claimed design.

1 Claim, 1 Drawing Sheet



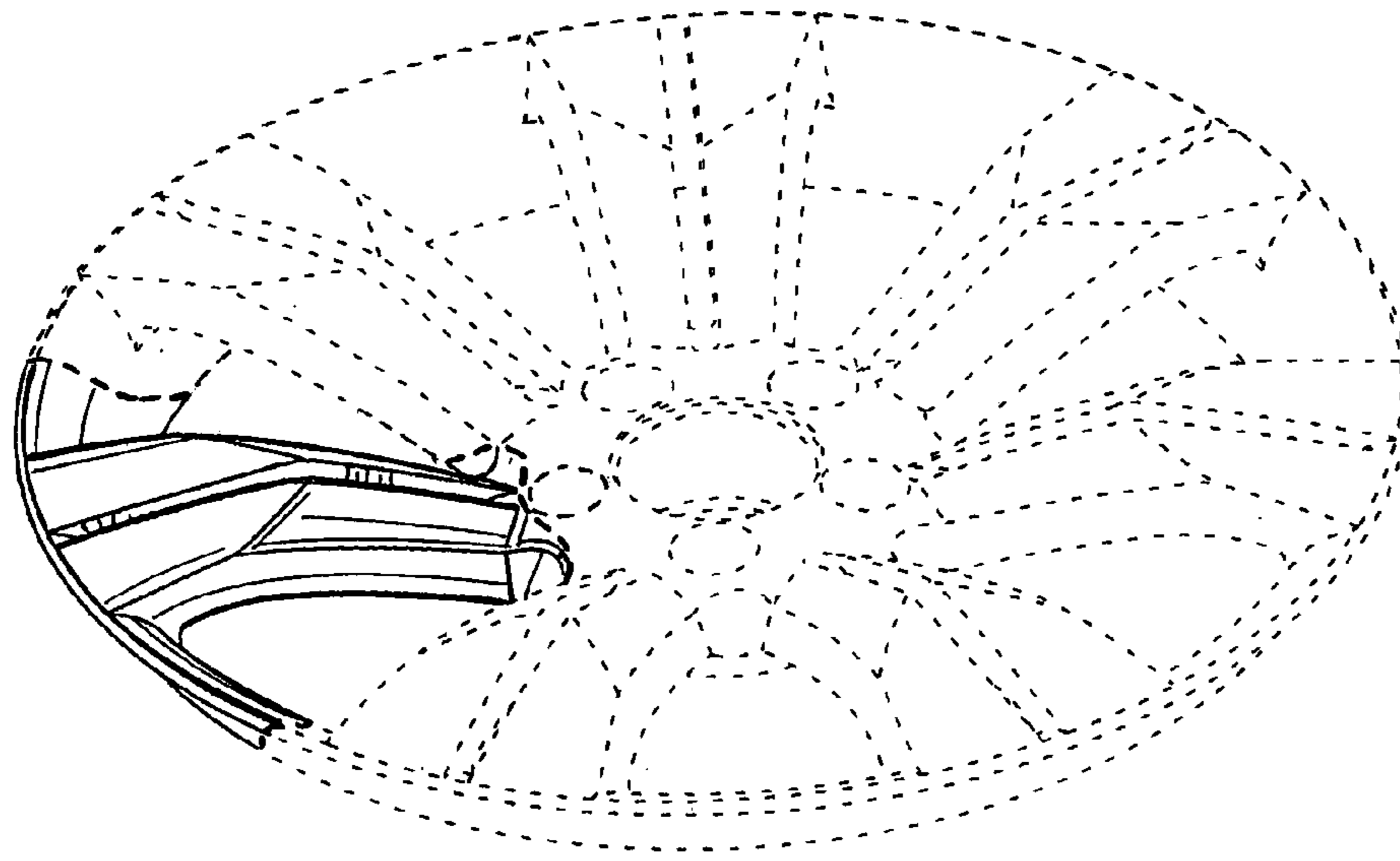


FIG. 2

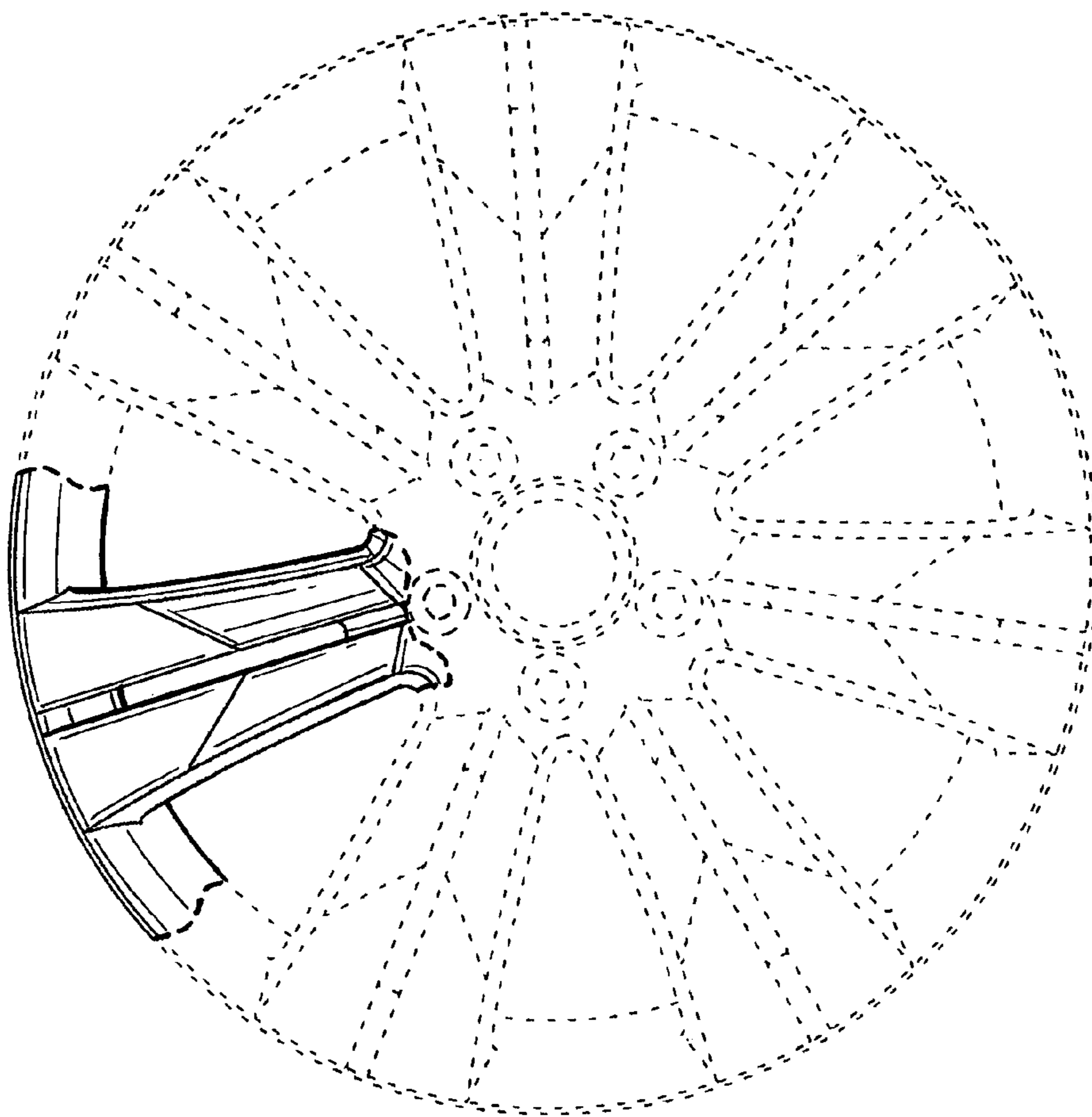


FIG. 1