



US00D563304S

(12) **United States Design Patent**
Pfeiffer

(10) **Patent No.:** **US D563,304 S**

(45) **Date of Patent:** **** Mar. 4, 2008**

(54) **FRONT FACE OF A VEHICLE WHEEL**

(75) Inventor: **Peter Pfeiffer**, Boeblingen (DE)

(73) Assignee: **DaimlerChrysler AG**, Stuttgart (DE)

(**) Term: **14 Years**

(21) Appl. No.: **29/274,047**

(22) Filed: **Mar. 26, 2007**

(30) **Foreign Application Priority Data**

Sep. 27, 2006 (DE) 4 06 04 995

(51) **LOC (8) Cl.** **12-16**

(52) **U.S. Cl.** **D12/211**

(58) **Field of Classification Search** D12/204–213;
301/37.101, 64.101, 65

See application file for complete search history.

(56) **References Cited**

U.S. PATENT DOCUMENTS

D503,919 S *	4/2005	Cahyono	D12/211
D505,372 S *	5/2005	Kushartanto	D12/209
D506,172 S *	6/2005	Pfeiffer	D12/211
D510,309 S *	10/2005	Cheng	D12/211
D516,990 S *	3/2006	Schweizer	D12/211
D520,437 S *	5/2006	Scheu	D12/211
D520,932 S *	5/2006	Guevara	D12/211
D532,739 S *	11/2006	Ettensberger	D12/211
D542,209 S *	5/2007	Pfeiffer	D12/211

D546,263 S *	7/2007	Hernandez	D12/211
D547,711 S *	7/2007	Young	D12/211
D548,166 S *	8/2007	Young	D12/211
D550,140 S *	9/2007	Laengerer	D12/211

* cited by examiner

Primary Examiner—Stacia Cadmus

(74) *Attorney, Agent, or Firm*—Crowell & Moring LLP

(57) **CLAIM**

The ornamental design for a front face of a vehicle wheel, as shown and described.

DESCRIPTION

This application is related to the following co-pending application, of the inventor, filed on an even date herewith:

Application Ser. No. 29/274,046, entitled “Segment of the Front Face of a Vehicle Wheel”.

FIG. 1 is a front view of a first embodiment of a front face of a vehicle wheel according to my novel design; and

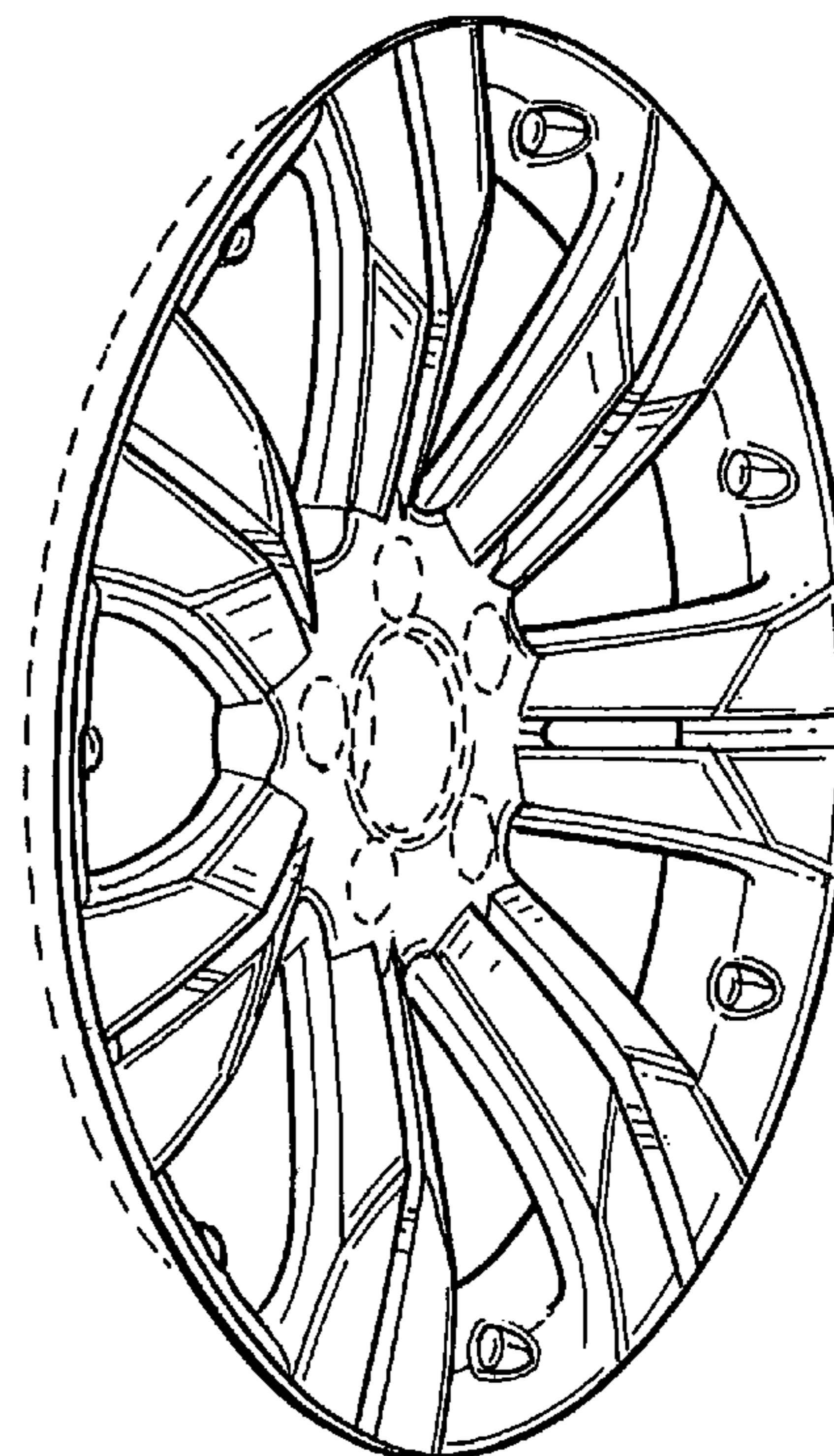
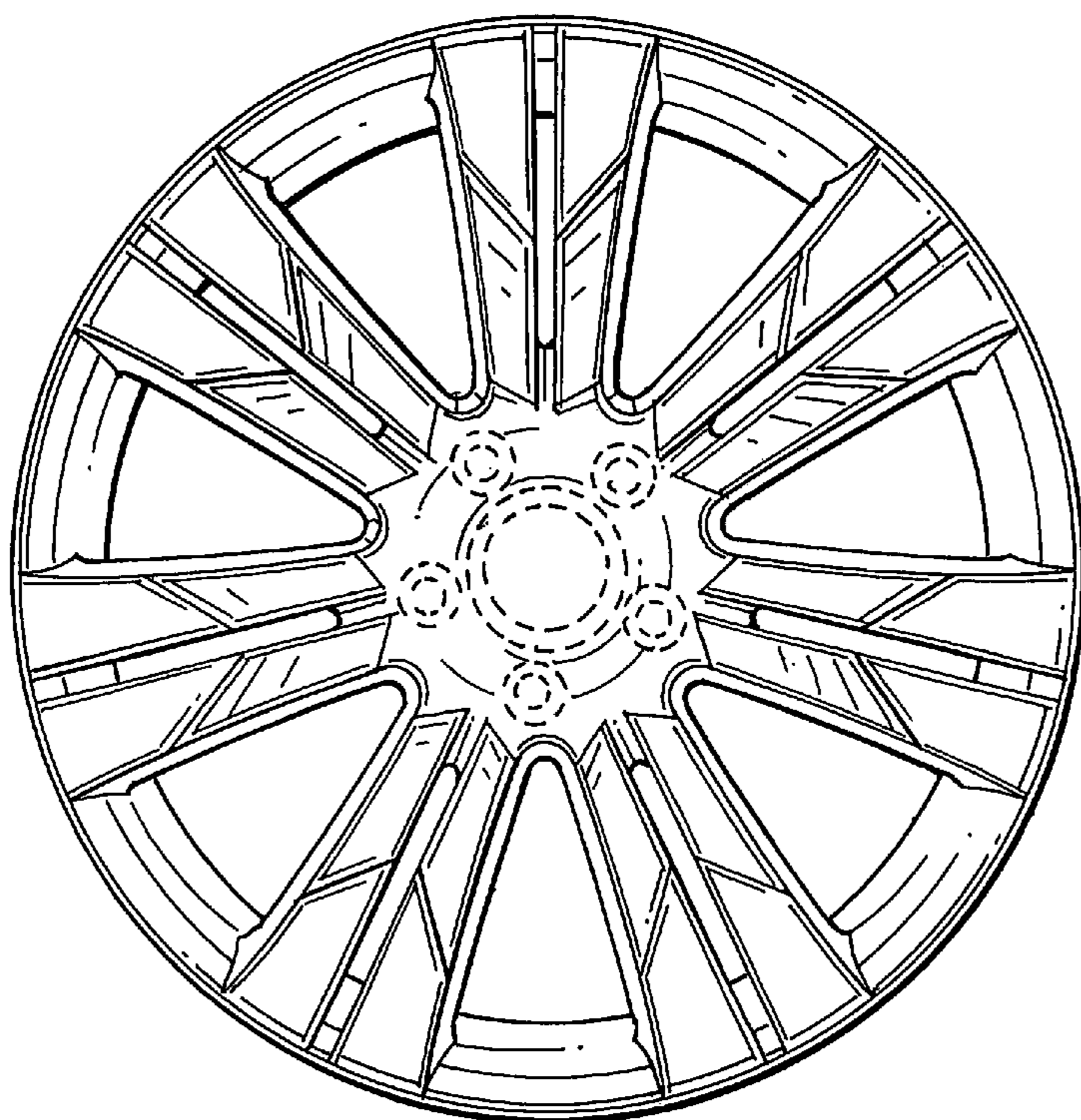
FIG. 2 is a perspective view thereof.

FIG. 3 is a front view of a second embodiment of the front face of a vehicle wheel according to my novel design; and,

FIG. 4 is a perspective view thereof.

The broken lines are for illustrative purposes only and form no part of the claimed design.

1 Claim, 2 Drawing Sheets



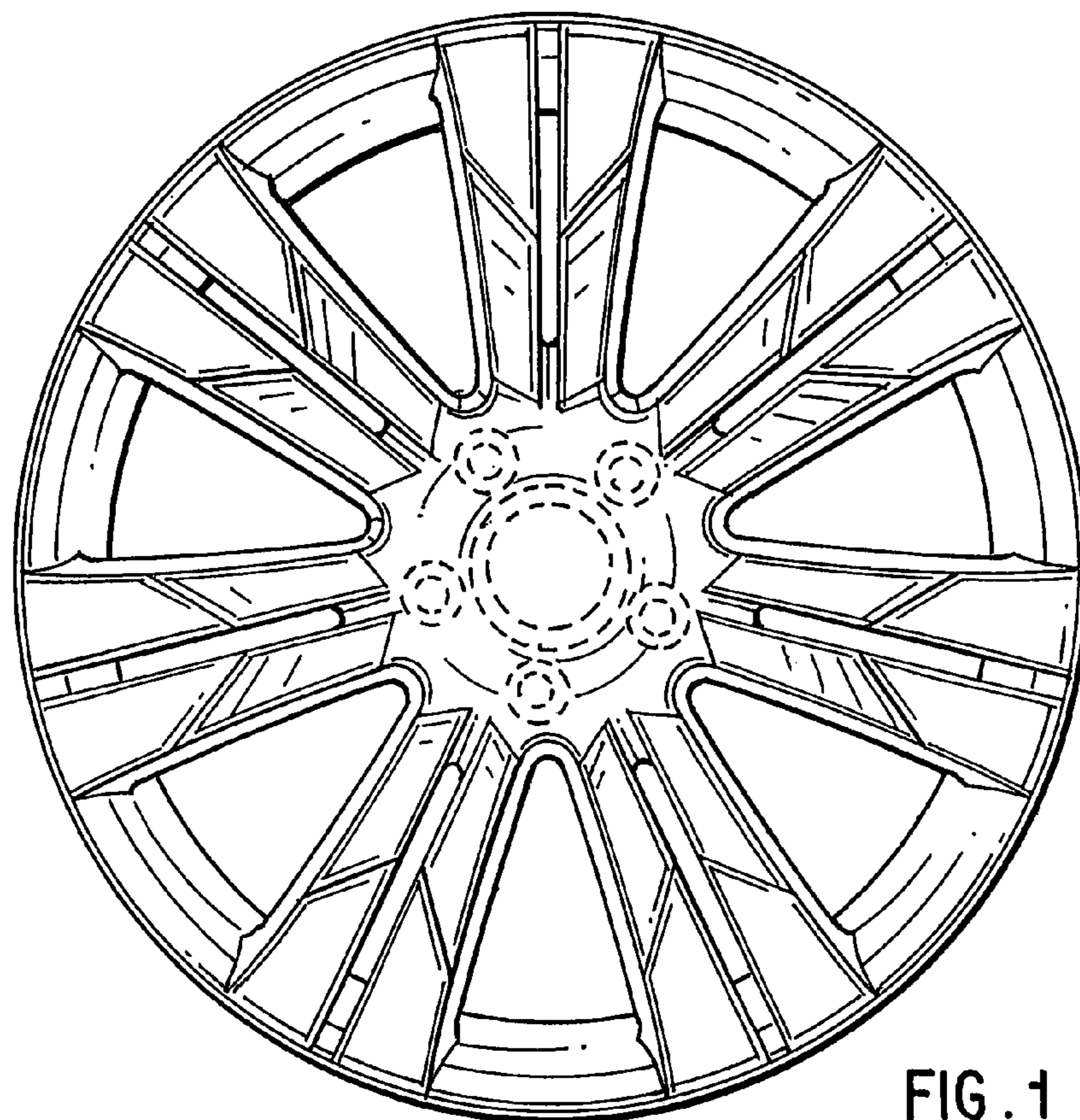


FIG. 1

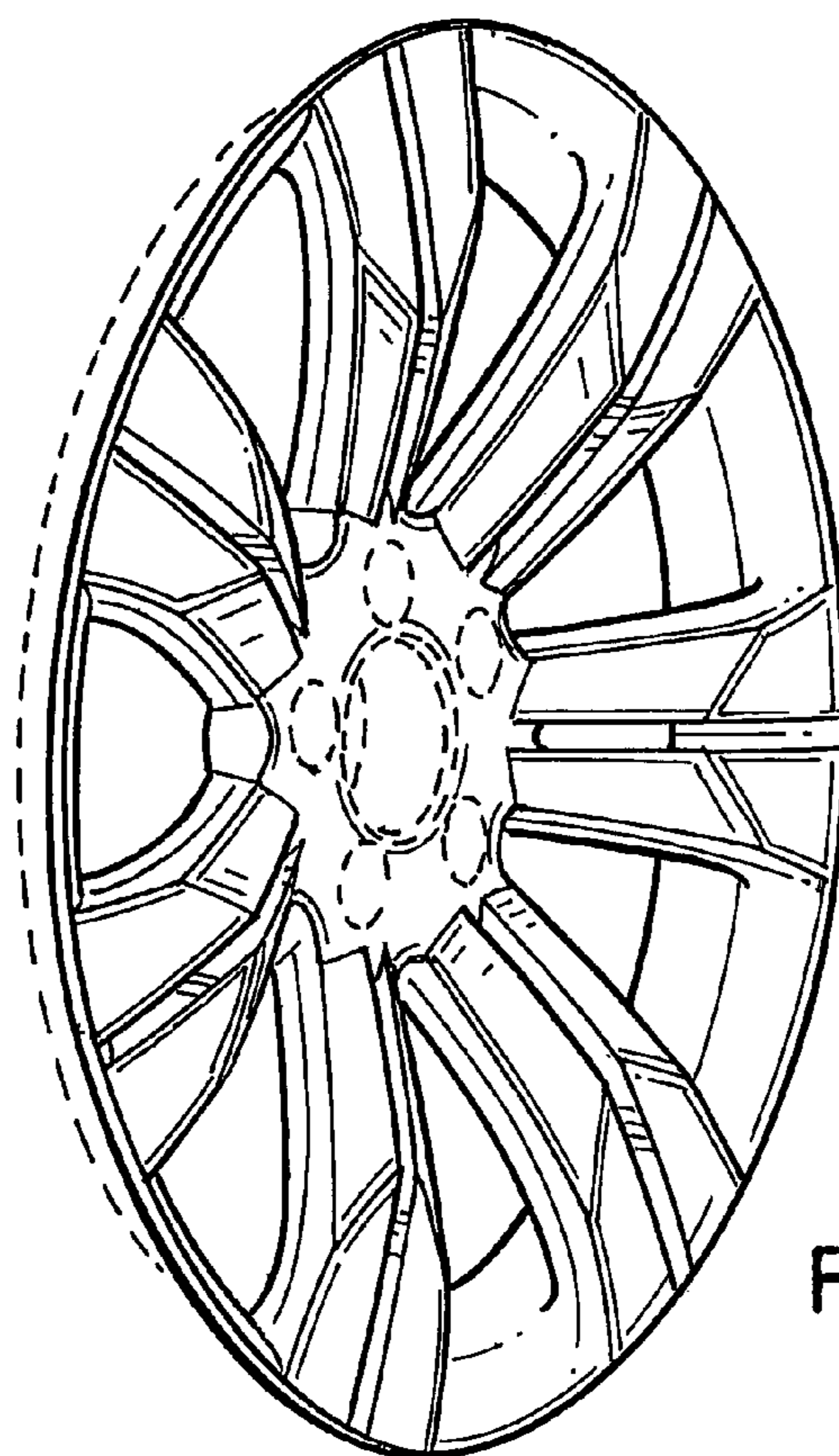


FIG. 2

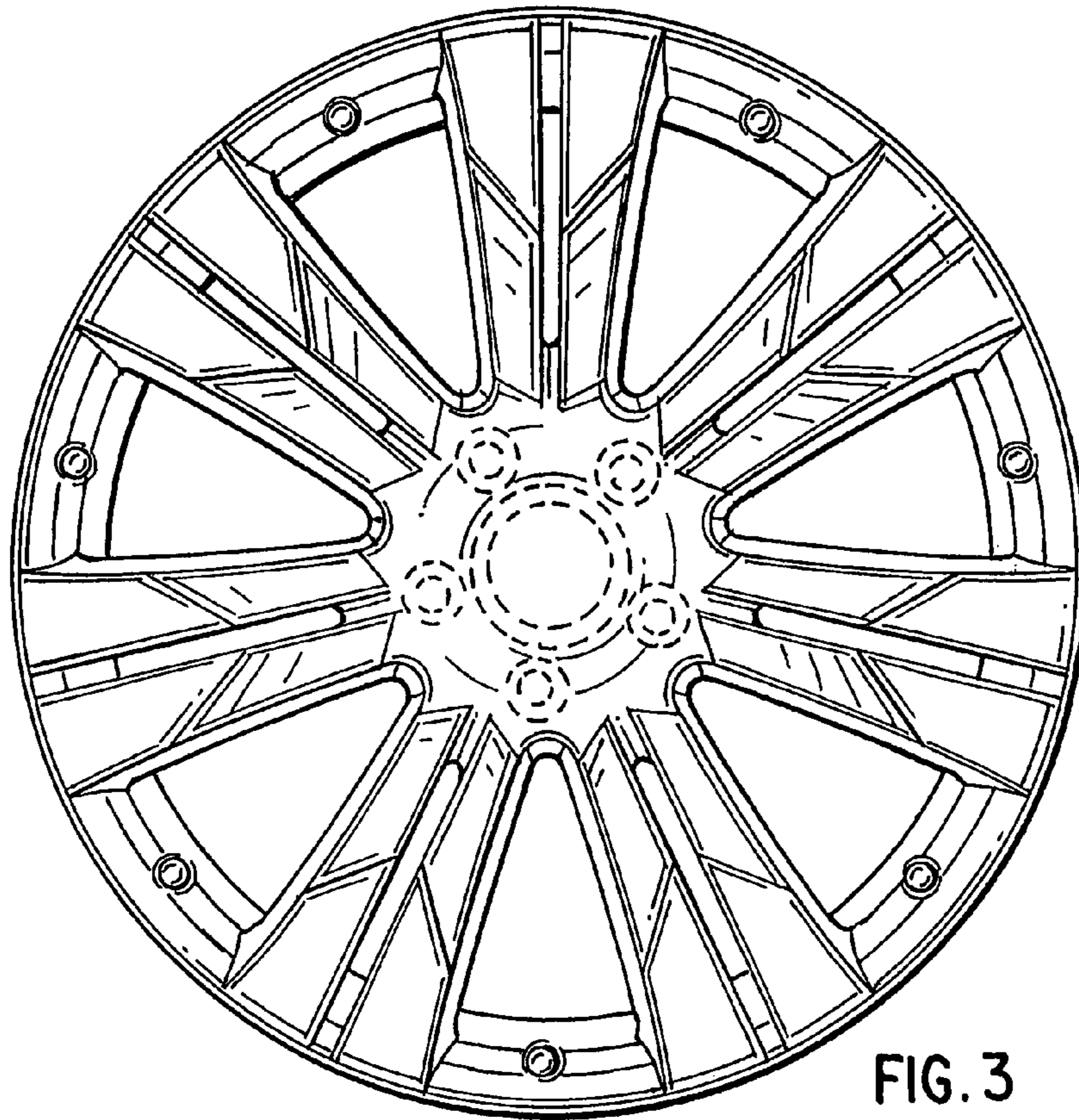


FIG. 3

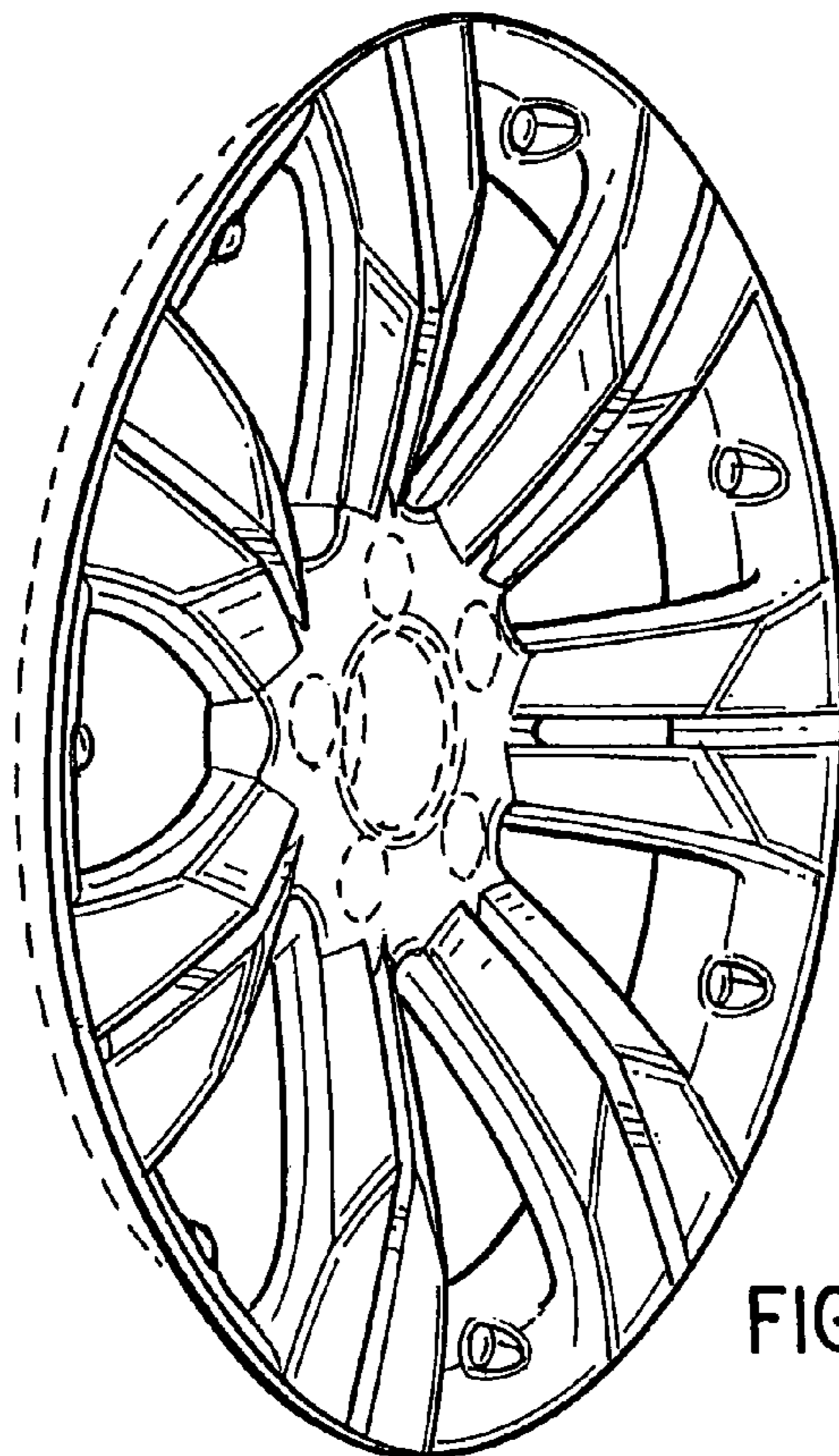


FIG. 4