



US00D563302S

(12) **United States Design Patent**
Medema et al.

(10) **Patent No.:** **US D563,302 S**

(45) **Date of Patent:** **** Mar. 4, 2008**

(54) **EXHAUST CONDUIT**

(75) Inventors: **Douglas J. Medema**, Belding, MI (US); **Alyssa Ann Birtles**, Grandville, MI (US)

(73) Assignee: **Bissell Homecare, Inc.**, Grand Rapids, MI (US)

(**) Term: **14 Years**

(21) Appl. No.: **29/277,788**

(22) Filed: **Mar. 9, 2007**

(51) **LOC (8) Cl.** **12-16**

(52) **U.S. Cl.** **D12/194**

(58) **Field of Classification Search** D12/110, D12/194, 400; 181/227, 228, 239, 247-249, 181/264, 277-280, 282; D15/5; 60/313, 60/323; 29/890.08; 138/37-39, 44, 103, 138/109; 180/225, 296, 309, 89.2
See application file for complete search history.

(56) **References Cited**

U.S. PATENT DOCUMENTS

2,909,235 A * 10/1959 Beranek D12/194

5,445,241 A * 8/1995 Nakamura et al. 180/296
6,478,340 B1 * 11/2002 Butler 138/39
D532,019 S * 11/2006 Huang D15/5

* cited by examiner

Primary Examiner—Cathron Brooks

Assistant Examiner—Michael A. Pratt

(74) *Attorney, Agent, or Firm*—McGarry Bair PC

(57) **CLAIM**

The ornamental design for an exhaust conduit, as shown and described.

DESCRIPTION

FIG. 1 is a rear perspective view of an exhaust conduit which embodies our design;

FIG. 2 is a rear view thereof;

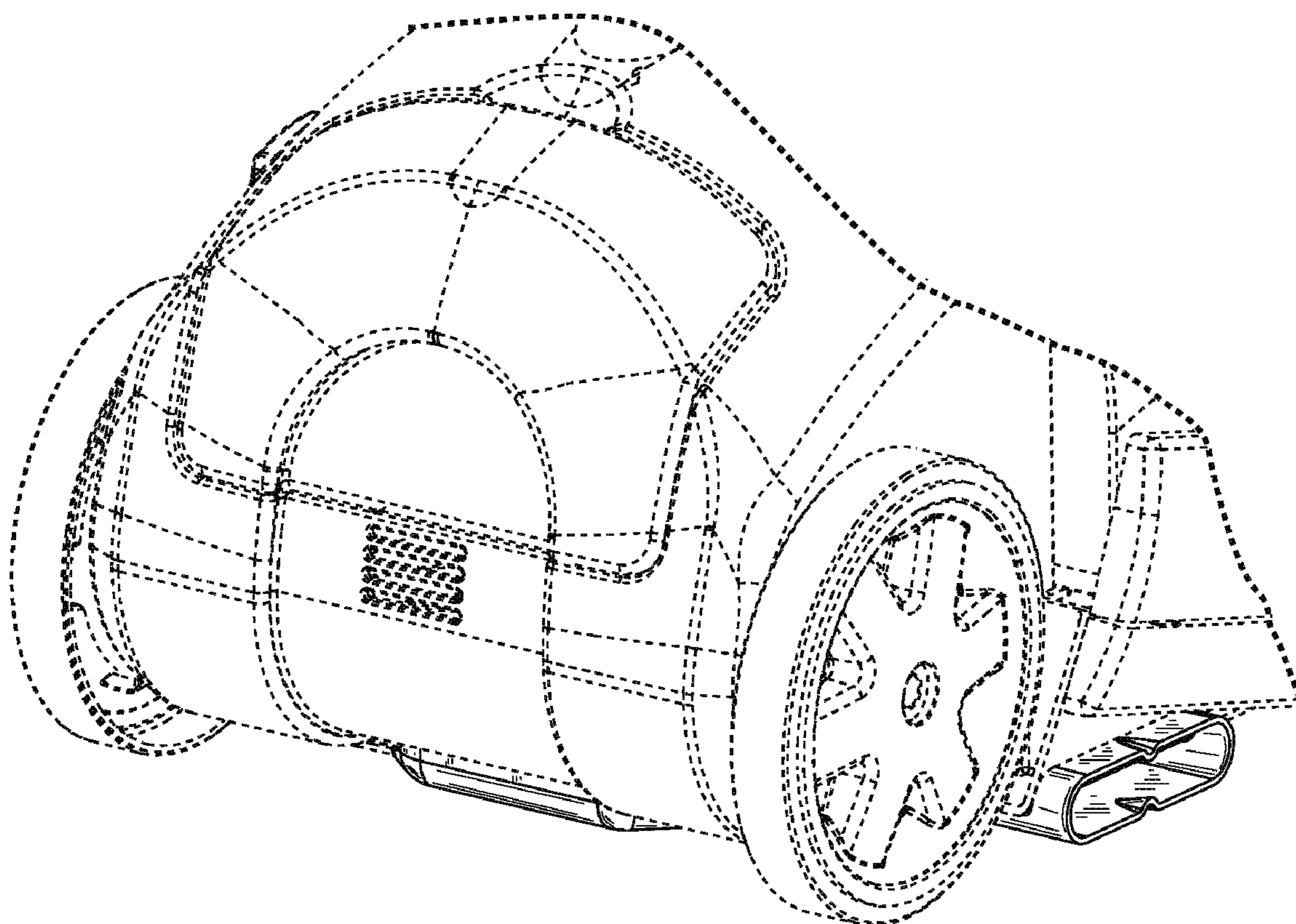
FIG. 3 is a right side view thereof, the left side view thereof being a mirror image of the right side view thereof;

FIG. 4 is a bottom view thereof; and,

FIG. 5 is a bottom front perspective view thereof.

The broken lines shown in the drawings are for illustrative purposes only and form no part of the claimed design.

1 Claim, 5 Drawing Sheets



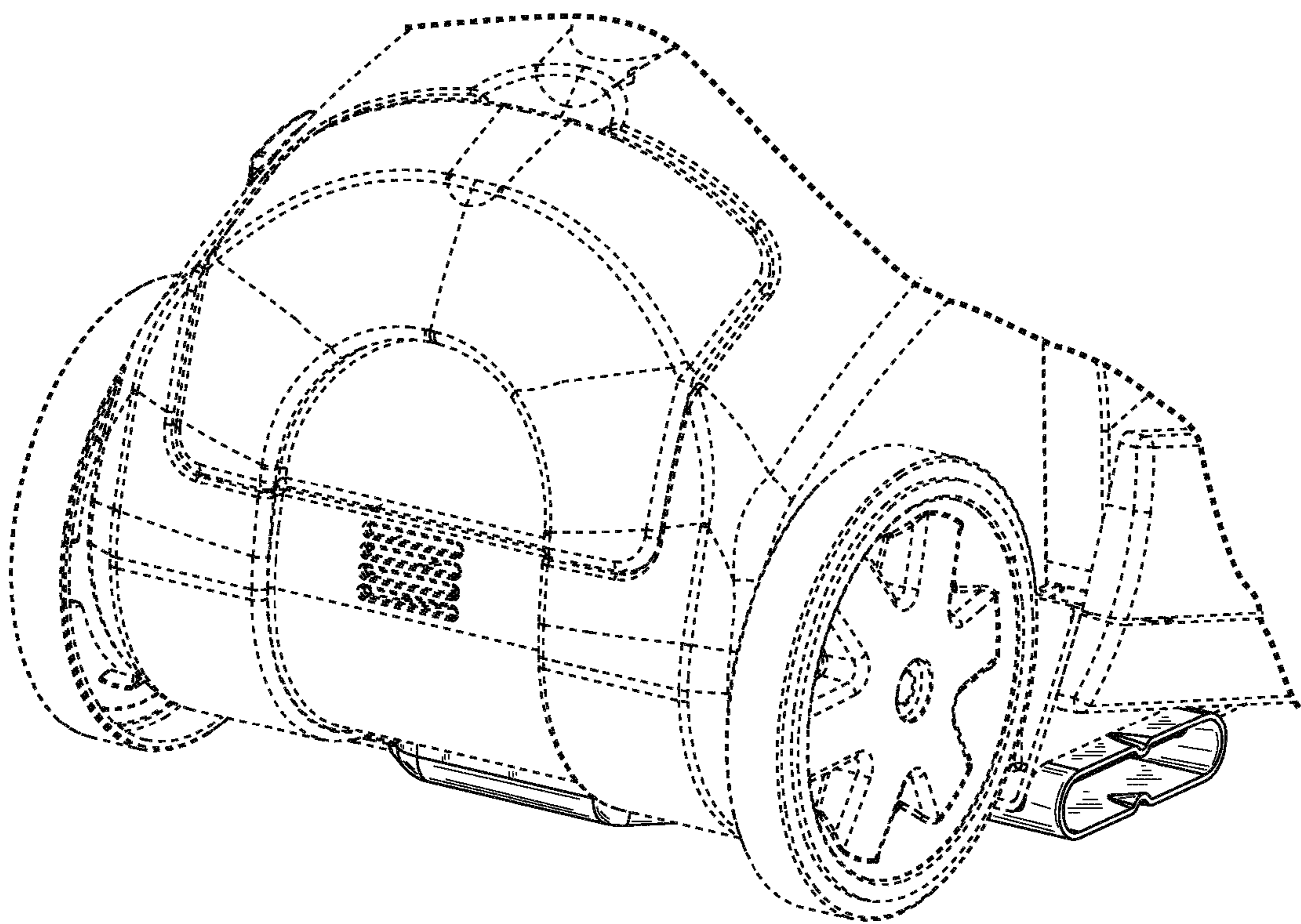


Fig. 1

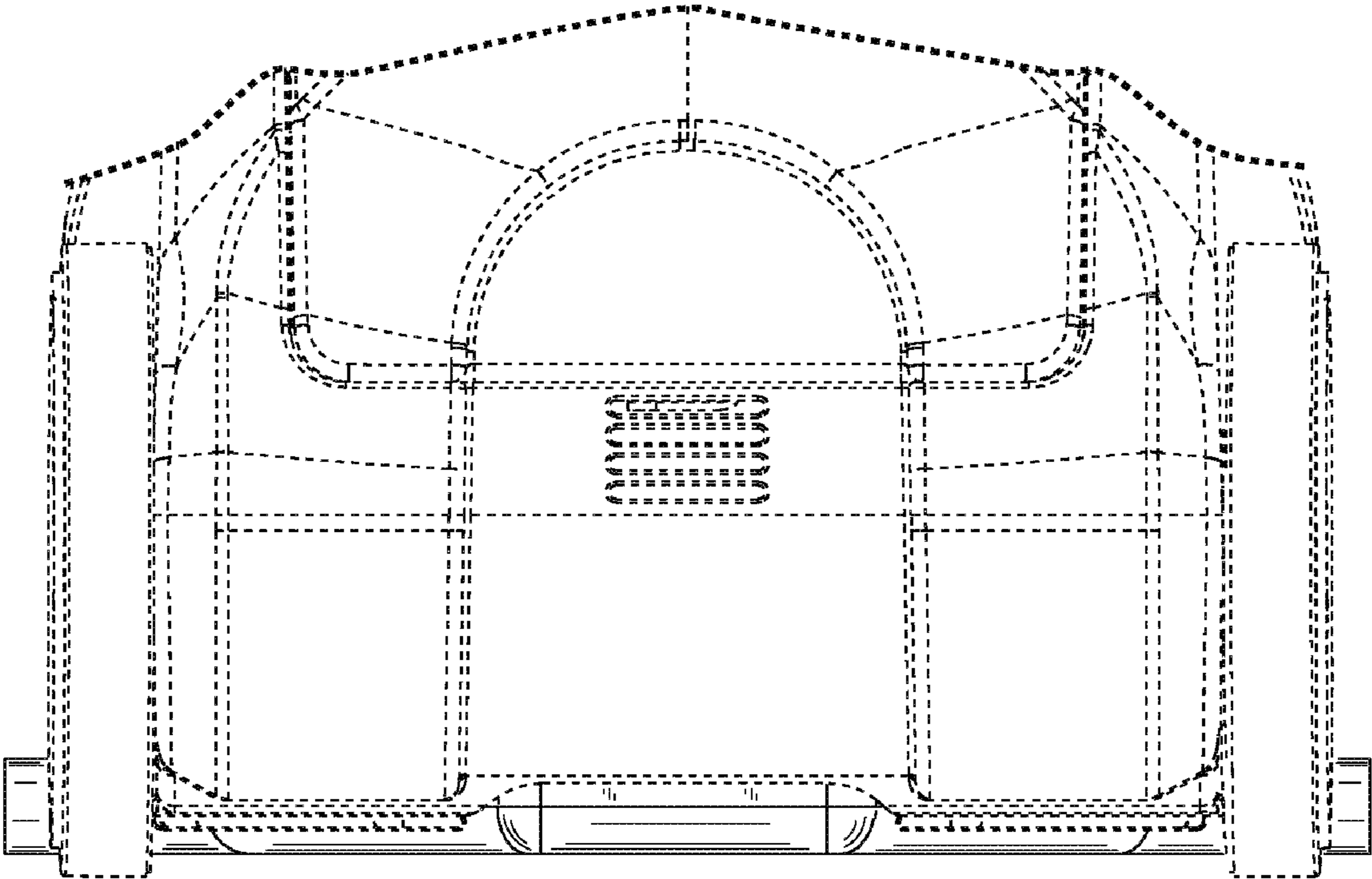


Fig. 2

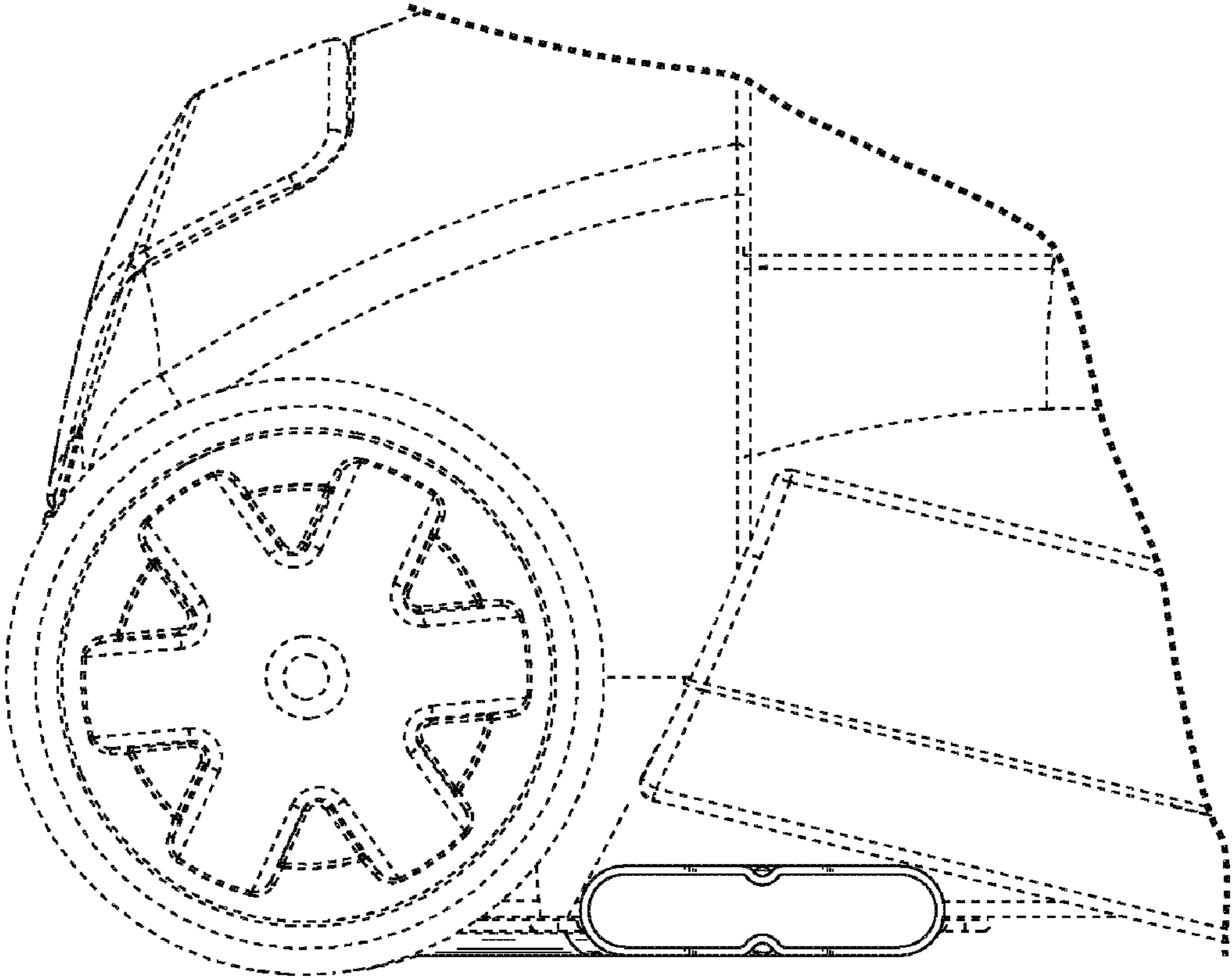


Fig. 3

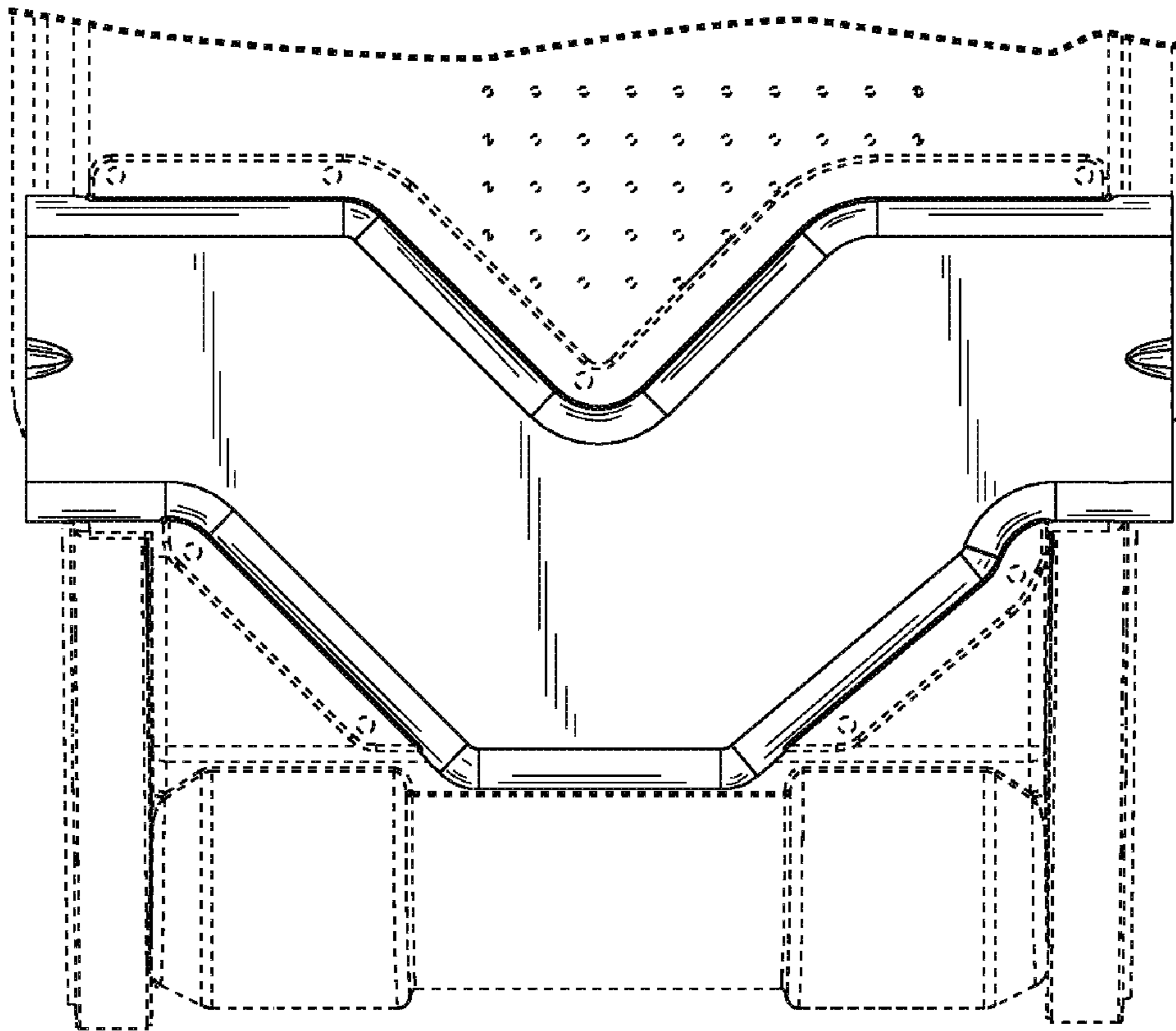


Fig. 4

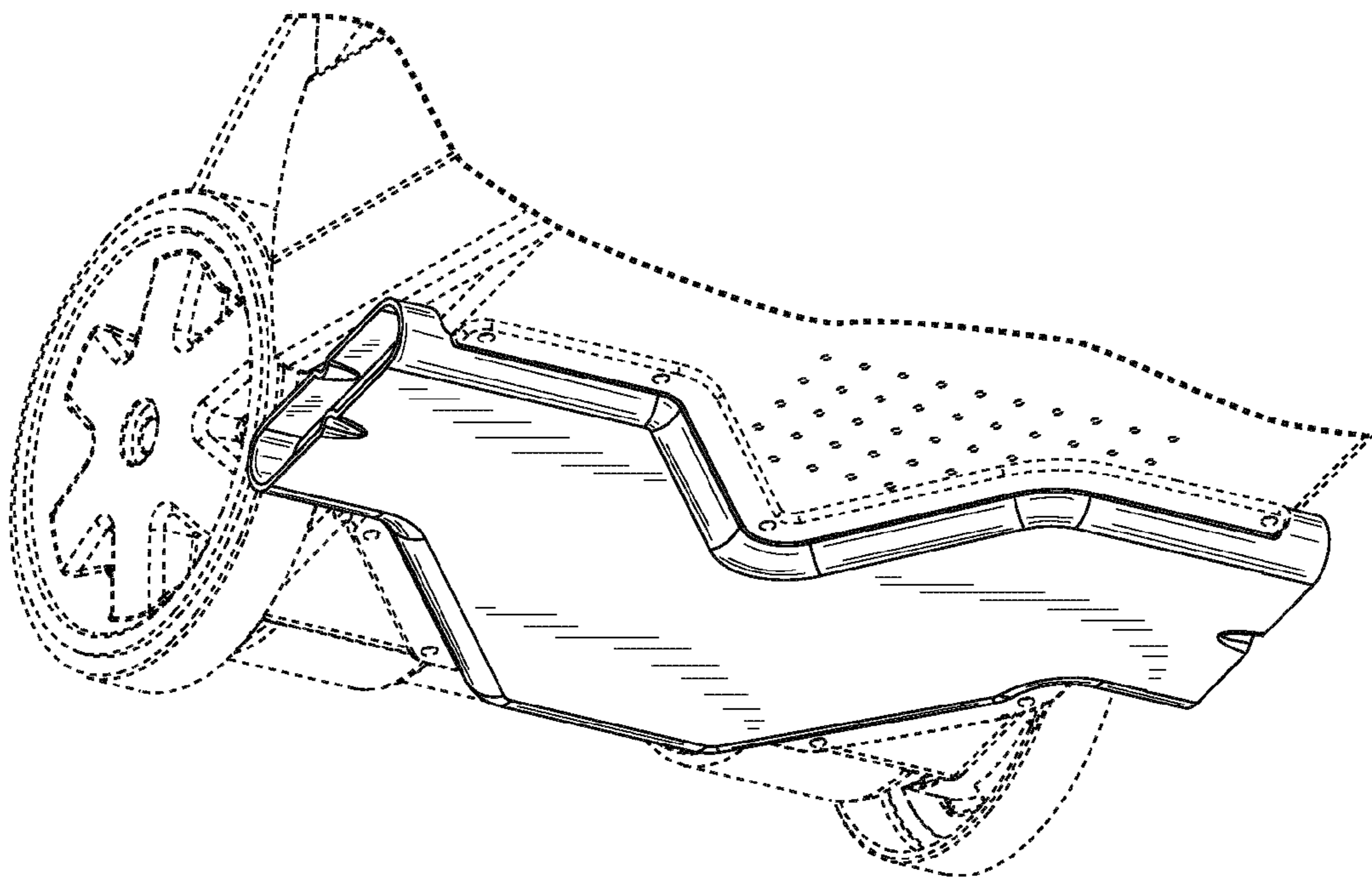


Fig. 5