



US00D563301S

(12) **United States Design Patent**  
**Douglas**

(10) **Patent No.:** **US D563,301 S**

(45) **Date of Patent:** **\*\* Mar. 4, 2008**

(54) **HITCH PLUG**

(76) Inventor: **Alfred D. Douglas**, 32726 White Oaks Trail, Beverly Hills, MI (US) 48025

(\*\*) Term: **14 Years**

(21) Appl. No.: **29/267,612**

(22) Filed: **Oct. 18, 2006**

(51) **LOC (8) Cl.** ..... **12-16**

(52) **U.S. Cl.** ..... **D12/194**

(58) **Field of Classification Search** ..... D12/106, D12/115, 116, 161, 162, 199; 280/402, 403, 280/404, 405.1, 405.2, 407, 407.1, 416.2, 280/455.1, 491.5, 186, 433, 434, 438 R  
See application file for complete search history.

(56) **References Cited**

**U.S. PATENT DOCUMENTS**

D404,349 S *	1/1999	Julian	.....	D12/162
D485,218 S *	1/2004	Bentley	.....	D12/162
D503,663 S *	4/2005	Kolflat	.....	D12/162
D506,711 S *	6/2005	Ruiz et al.	.....	D12/162
D526,603 S *	8/2006	Gates, II	.....	D12/162

**OTHER PUBLICATIONS**

[http://us.st11.yimg.com/us.st.yimg.com/l/trailertoys\\_1942\\_125004424/17/2007.\\*](http://us.st11.yimg.com/us.st.yimg.com/l/trailertoys_1942_125004424/17/2007.*)

\* cited by examiner

*Primary Examiner*—Ian Simmons  
*Assistant Examiner*—Michael A. Pratt

(74) *Attorney, Agent, or Firm*—Reising Ethington Barnes Kisselle P.C.

(57) **CLAIM**

The ornamental design for a hitch plug, as shown and described.

**DESCRIPTION**

FIG. 1 is a top perspective view of a hitch plug showing my design;

FIG. 2 is a front plan view thereof;

FIG. 3 is a side elevational view thereof; the other sides being the same as the side shown;

FIG. 4 is a rear plan view thereof;

FIG. 5 is a cross-sectional side elevational view thereof taken along line 5—5 shown in FIG. 2;

FIG. 6 is a top perspective view of an alternative hitch plug showing my design;

FIG. 7 is a front plan view thereof;

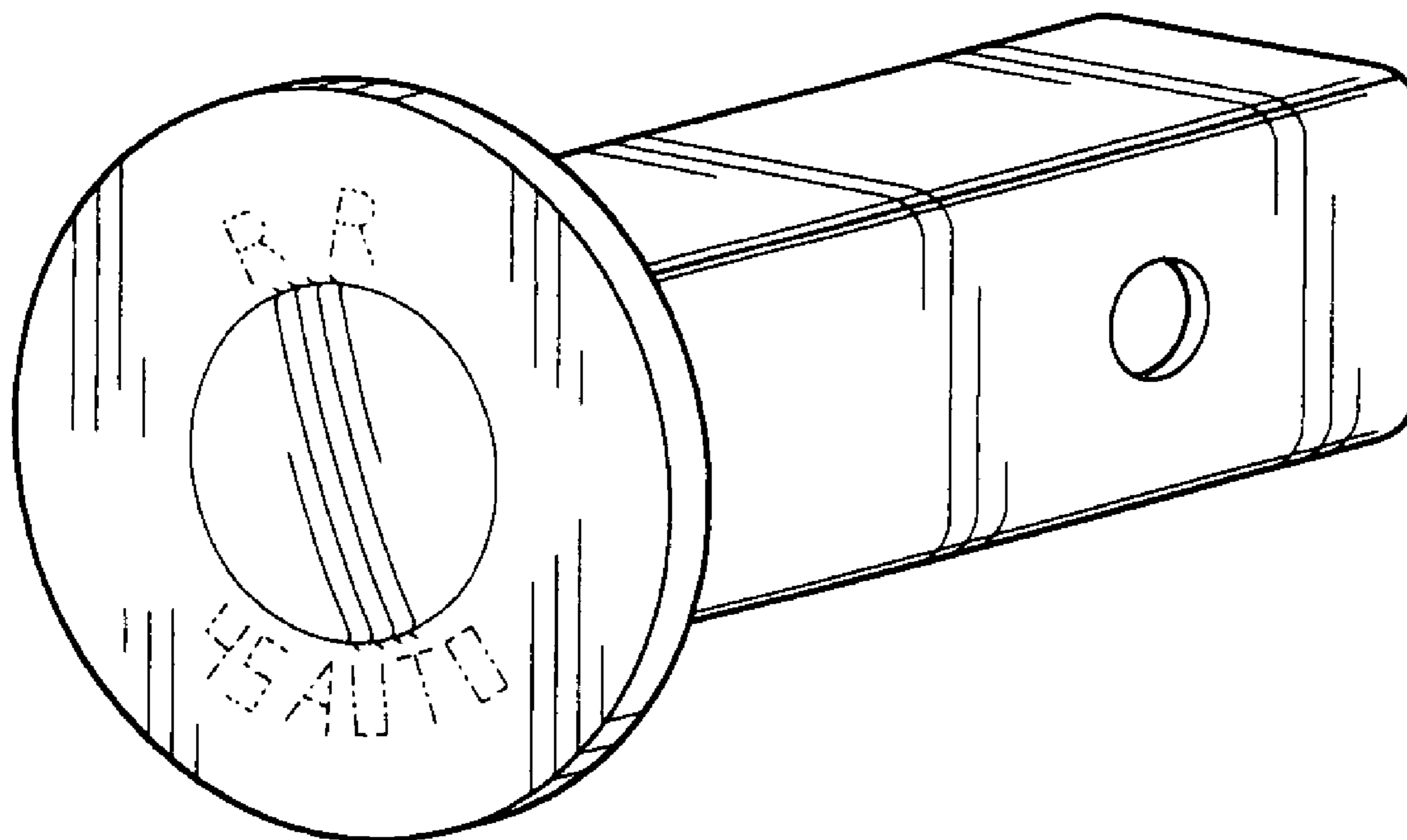
FIG. 8 is a side elevational view thereof; the other sides being the same as the side shown;

FIG. 9 is a rear plan view thereof; and,

FIG. 10 is a cross-sectional side elevational view thereof taken along line 10—10 shown in FIG. 7.

The letters and numbers shown in phantom in FIGS. 1 and 7 are for illustration purposes only and form no part of the invention.

**1 Claim, 2 Drawing Sheets**



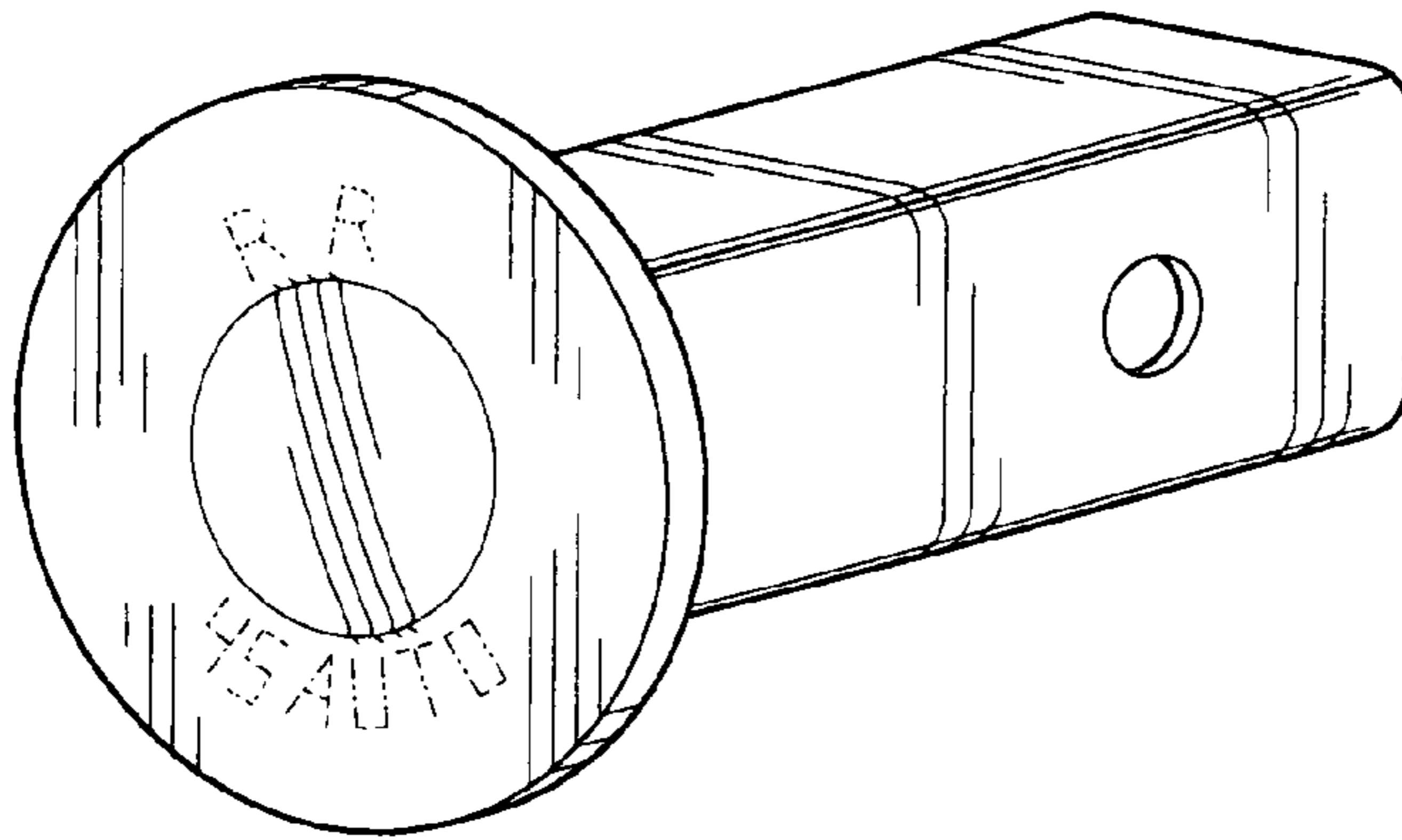


Fig-1

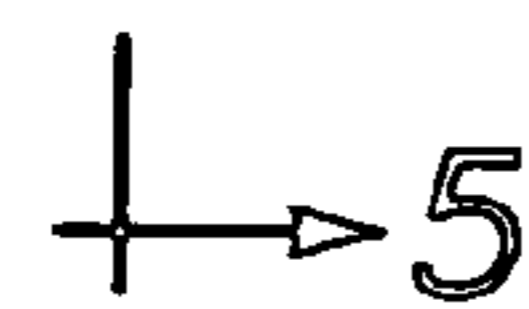
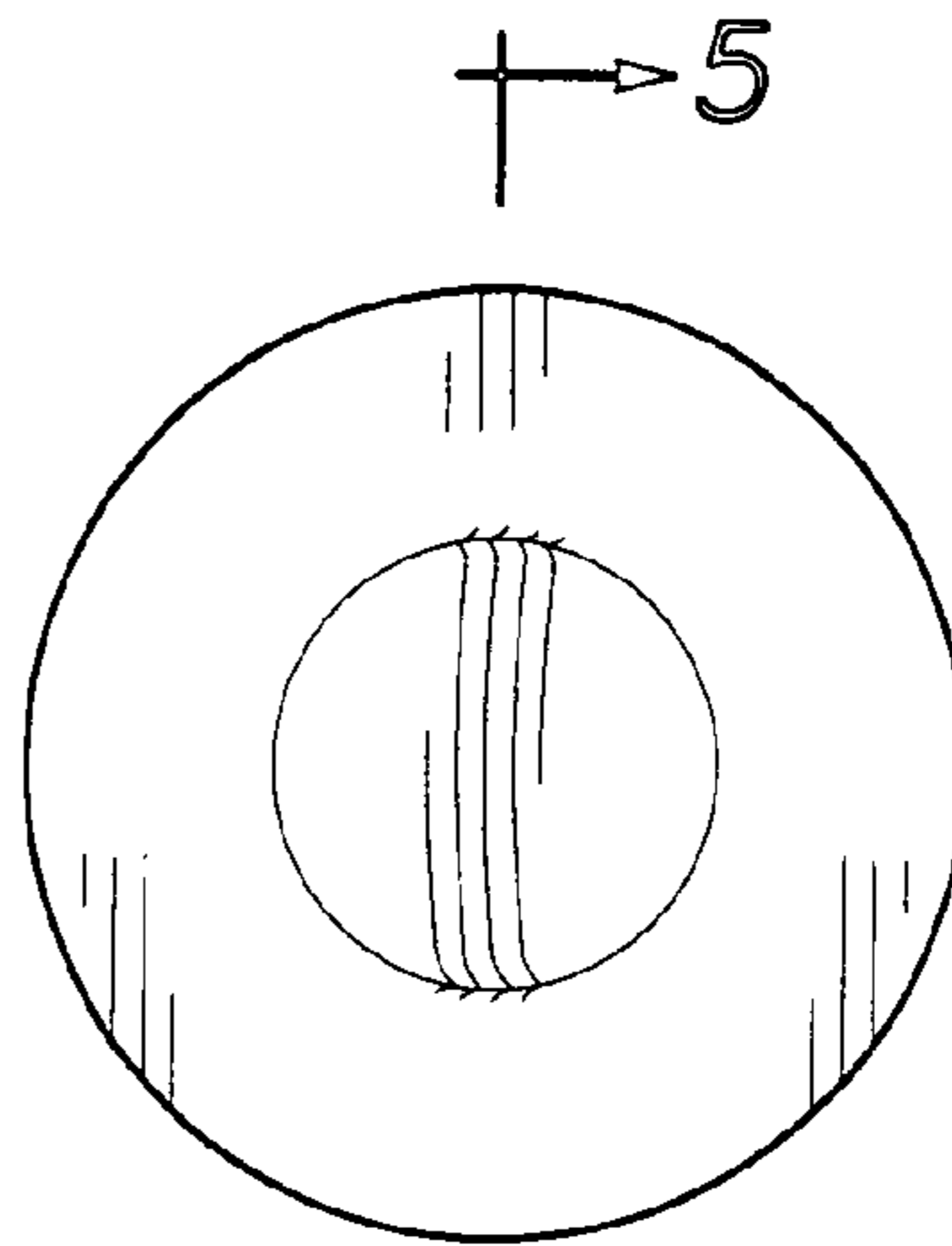


Fig-2

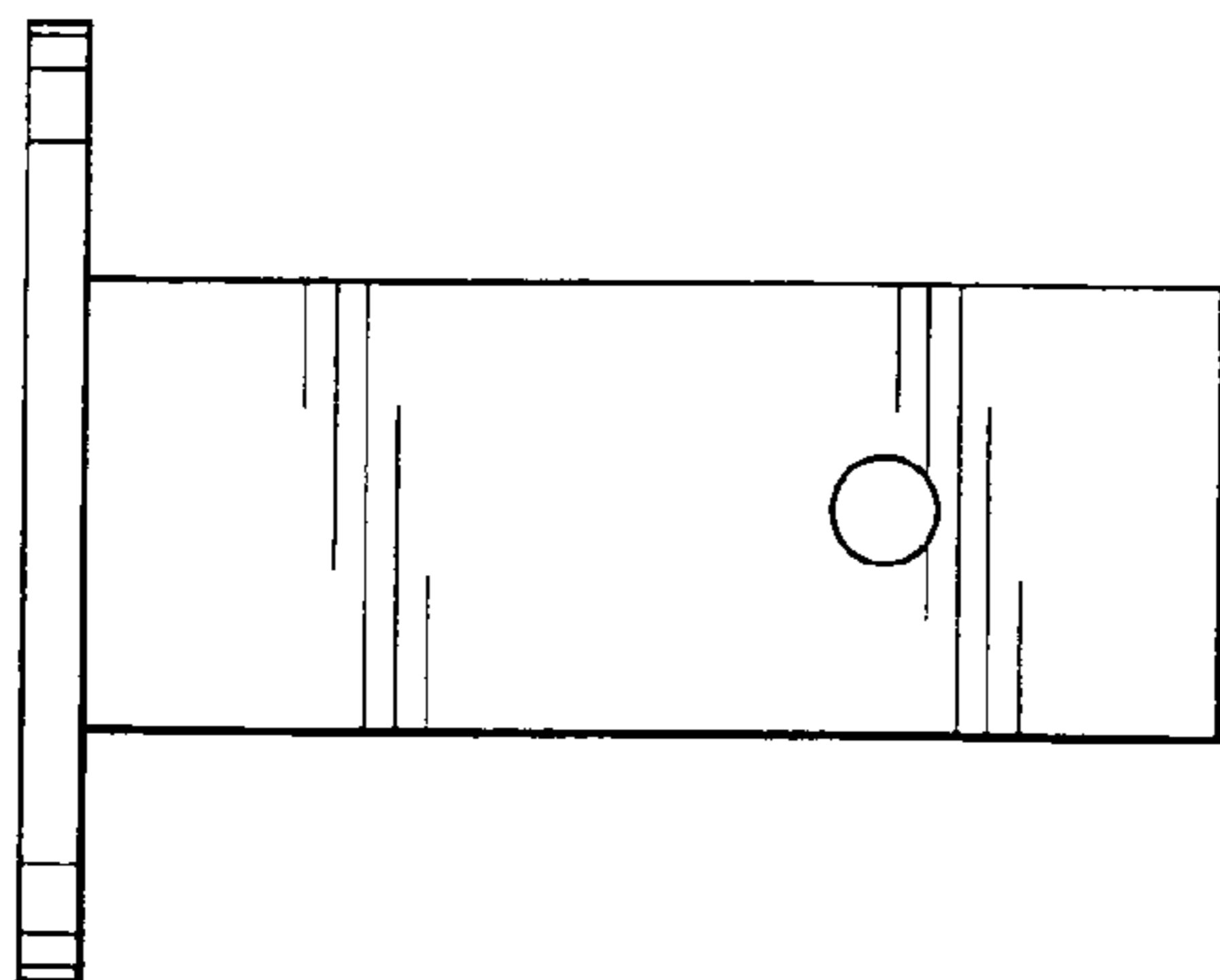


Fig-3

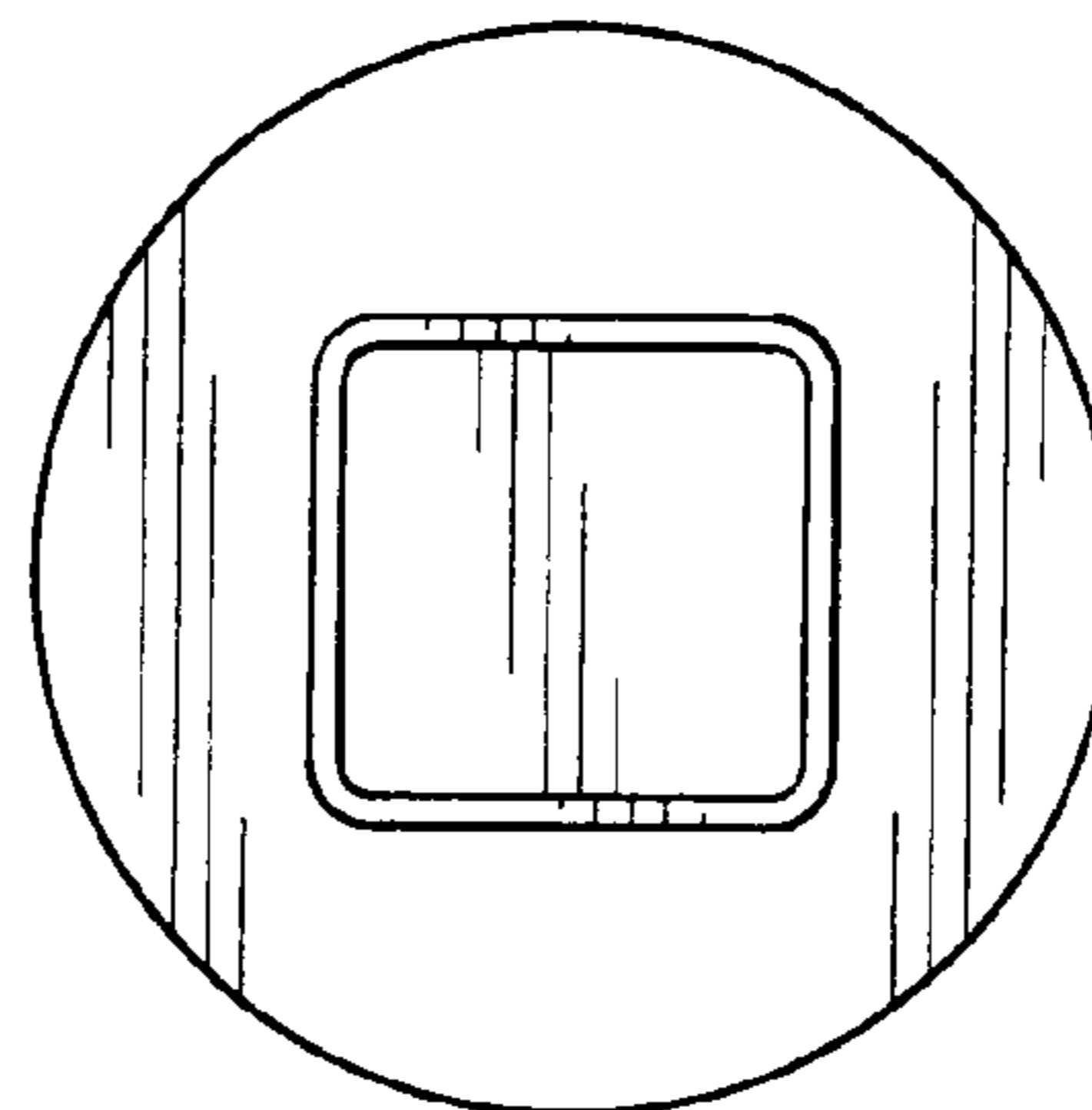


Fig-4

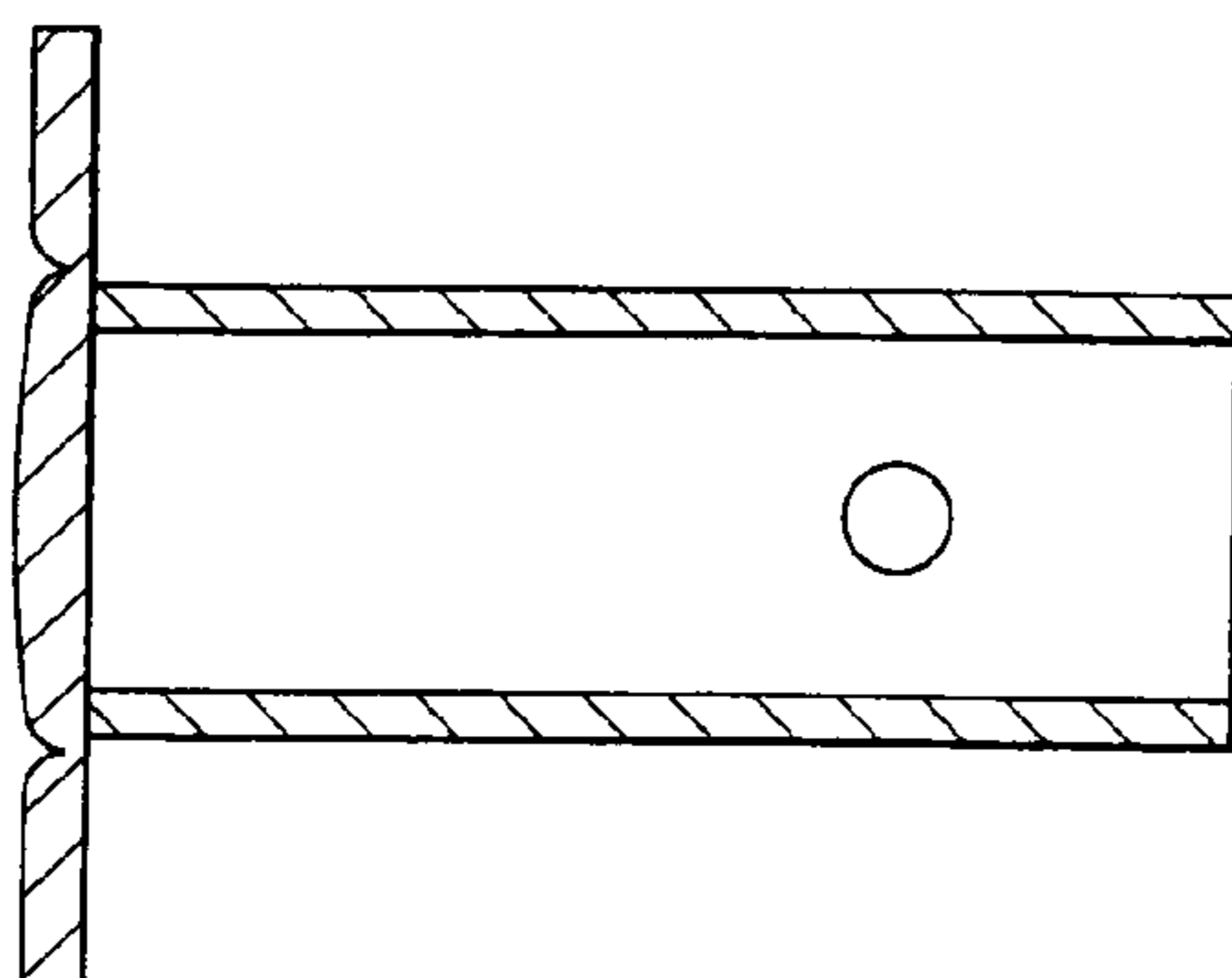


Fig-5

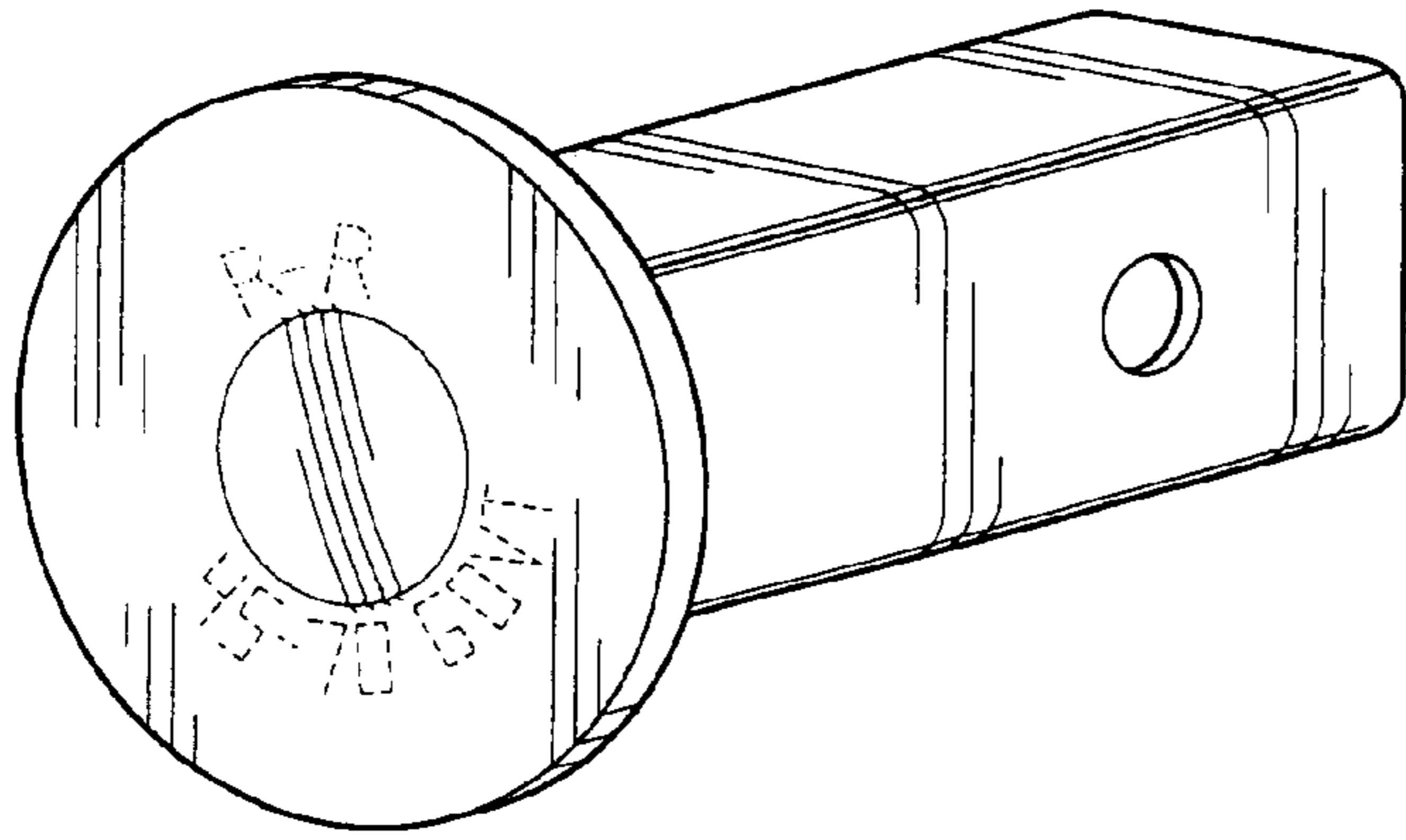
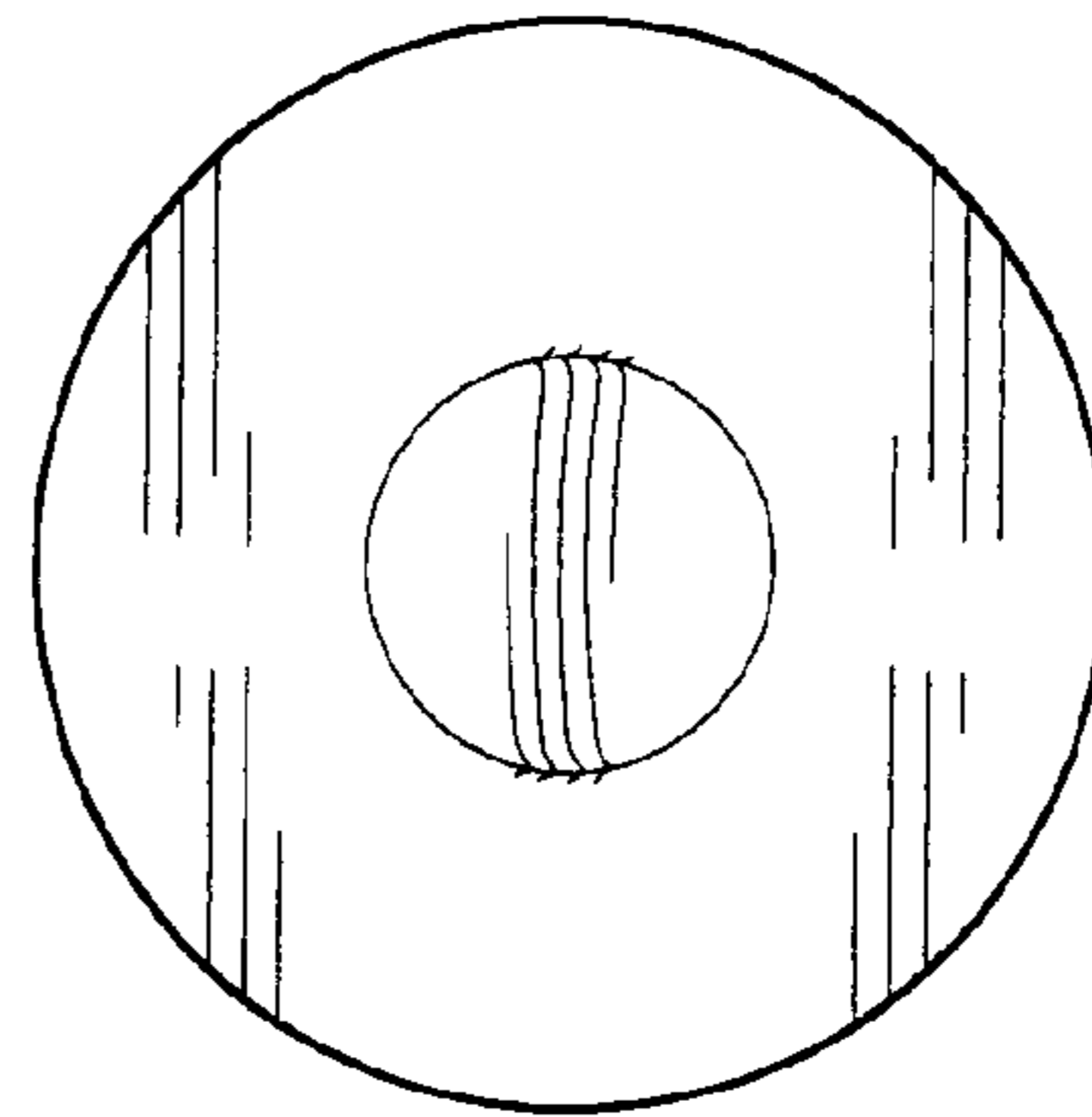


Fig-6

→ 10



→ 10

Fig-7

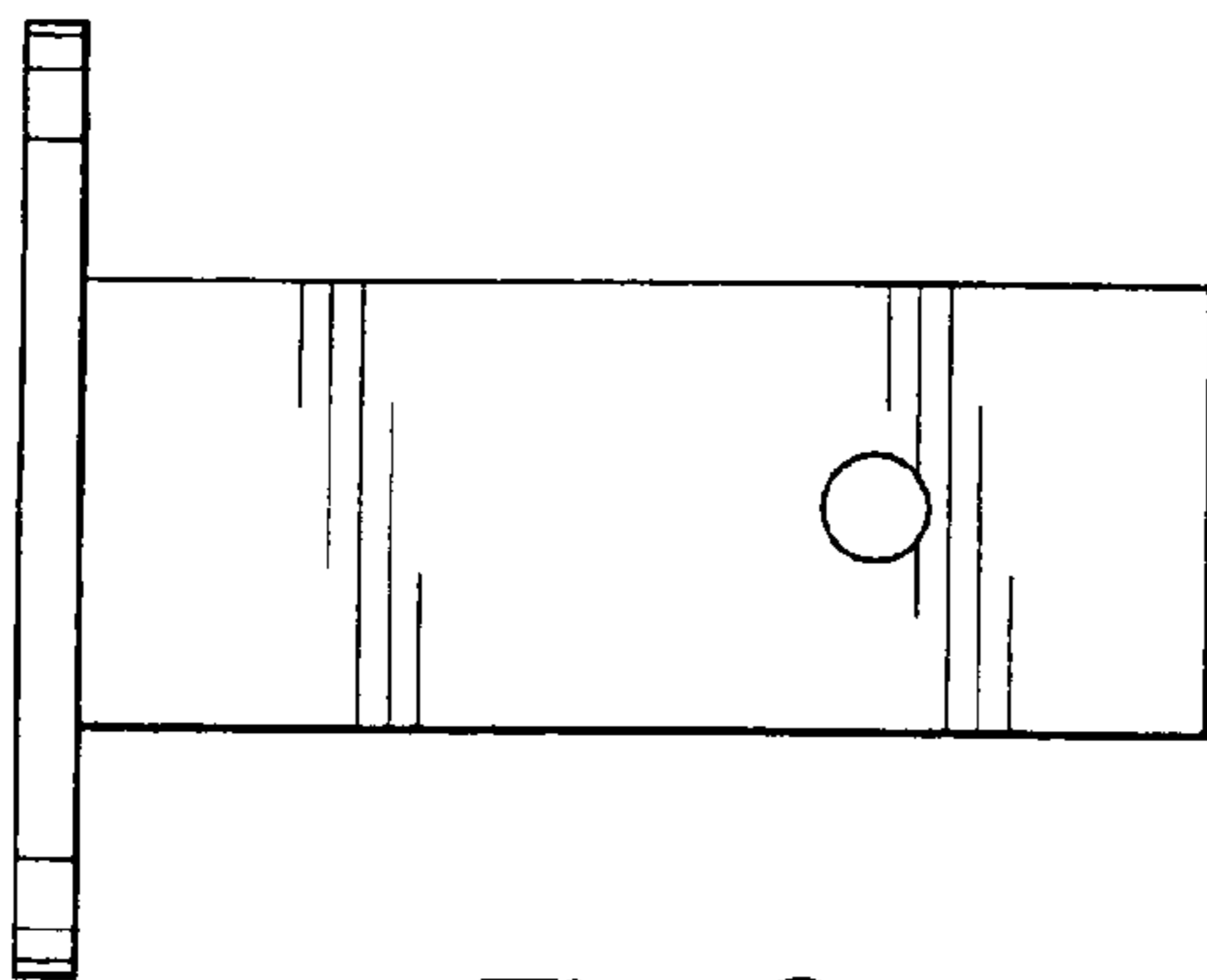


Fig-8

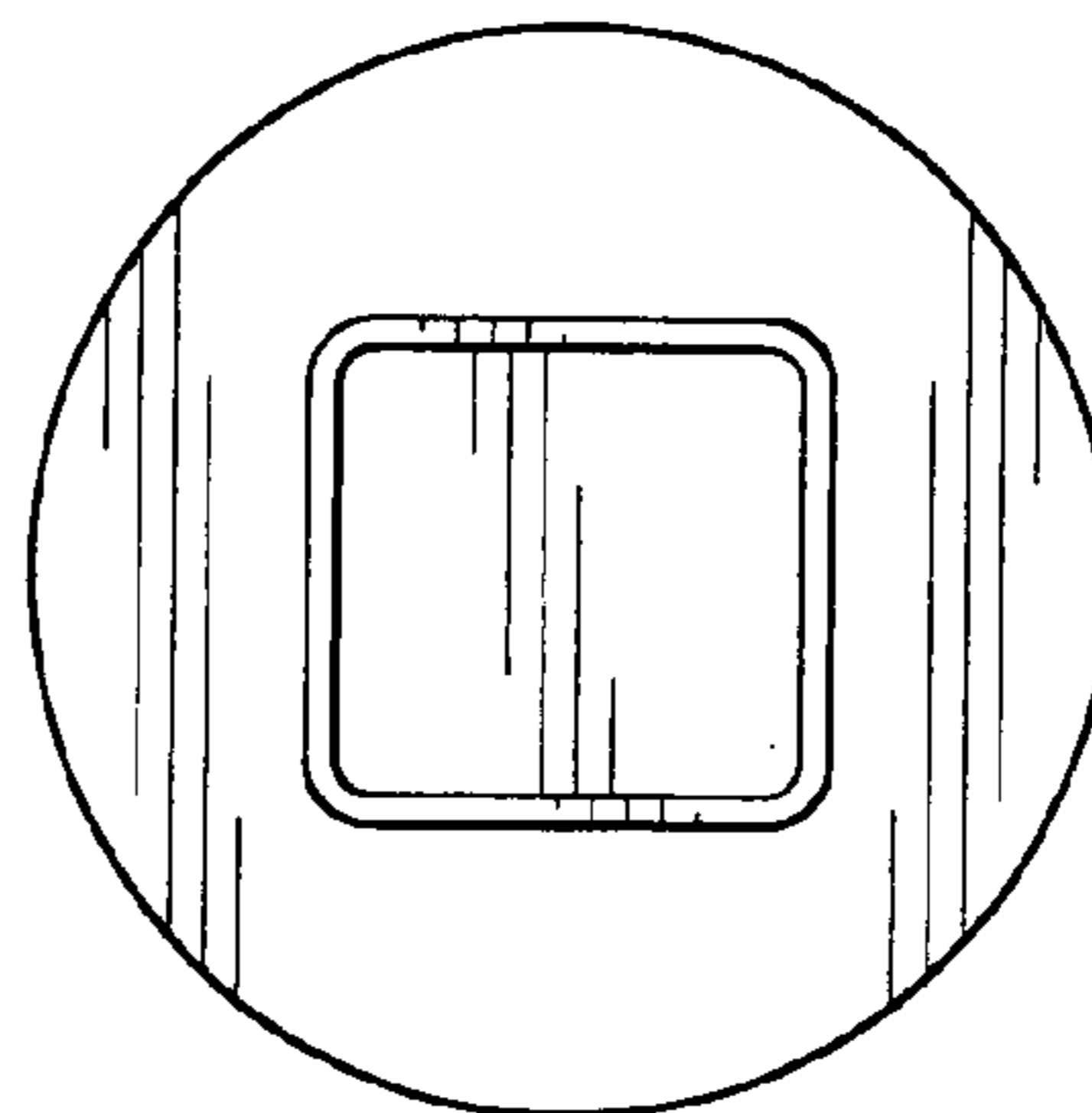


Fig-9

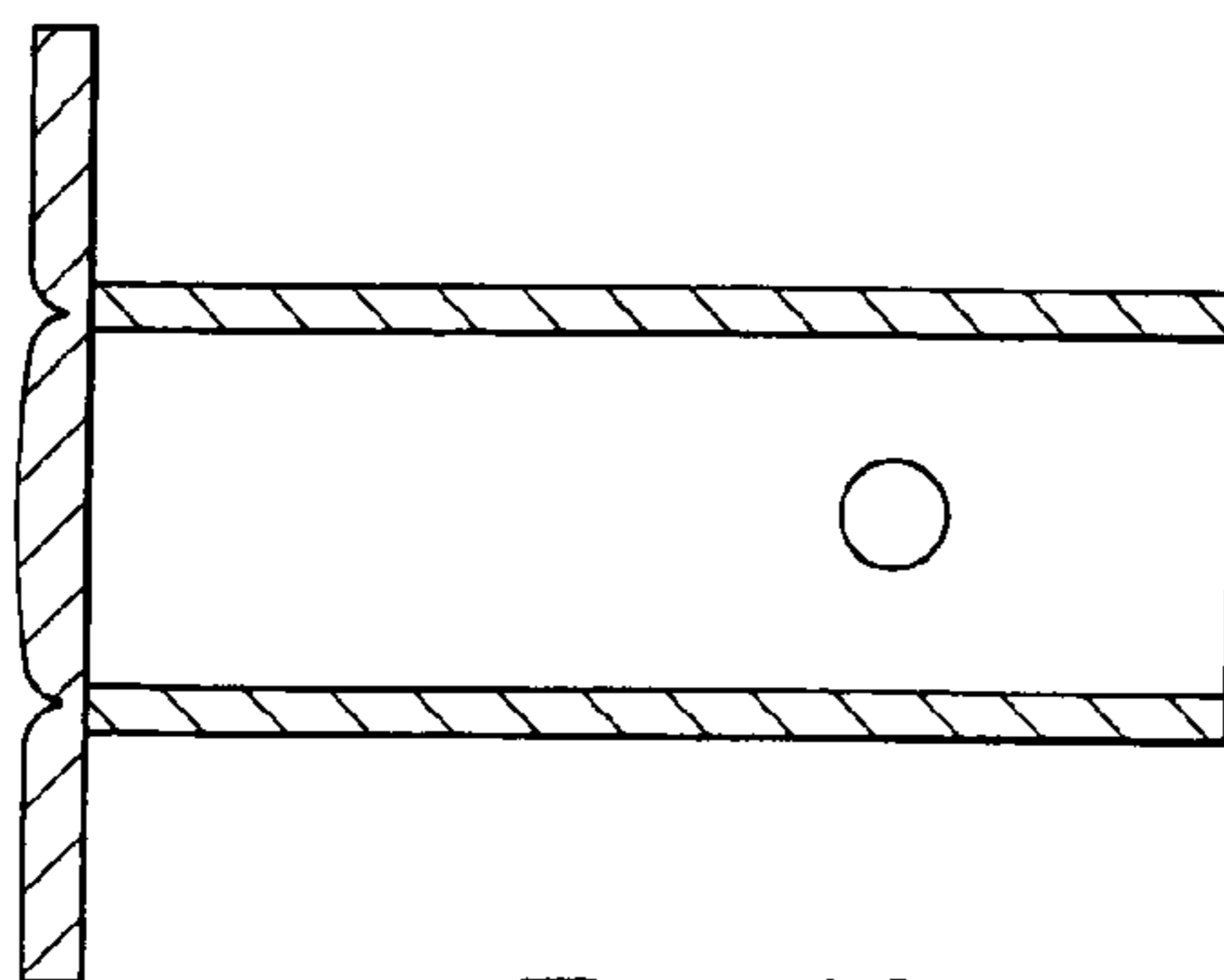


Fig-10