



US00D563299S

(12) **United States Design Patent**
Mizuhata et al.

(10) **Patent No.:** **US D563,299 S**
(45) **Date of Patent:** **** Mar. 4, 2008**

(54) **DASHBOARD AND CONSOLE FOR AN AUTOMOBILE**

(75) Inventors: **Yasuhiko Mizuhata**, Toyota (JP);
Naoya Nishimura, Toyota (JP); **Ryuji Yoshinaga**, Toyota (JP); **Makoto Esuga**, Kariya (JP)

(73) Assignee: **Toyota Jidosha Kabushiki Kaisha**, Toyota (JP)

(**) Term: **14 Years**

(21) Appl. No.: **29/274,361**

(22) Filed: **Apr. 20, 2007**

(51) **LOC (8) Cl.** **12-16**

(52) **U.S. Cl.** **D12/192**

(58) **Field of Classification Search** D12/192;
180/90; 280/750-752; 296/70, 190.01-191;
D10/46, 102, 98, 122-127; D15/28
See application file for complete search history.

(56) **References Cited**

U.S. PATENT DOCUMENTS

D423,434 S *	4/2000	Yano et al.	D12/192
D470,809 S *	2/2003	Asahi et al.	D12/192
D489,660 S *	5/2004	Okumura et al.	D12/192
D493,756 S *	8/2004	Yamamoto et al.	D12/192
D494,907 S *	8/2004	Pfeiffer	D12/192
D499,998 S *	12/2004	Tanaka et al.	D12/192
D512,357 S *	12/2005	Schuttera	D12/192
D519,894 S *	5/2006	Asahi et al.	D12/192
D532,353 S *	11/2006	Honda et al.	D12/192
D549,628 S *	8/2007	Esaki et al.	D12/192

OTHER PUBLICATIONS

Brochure of Step Wagon, Honda Step Wagon, May 2005, Honda Motor Co., Ltd.

Brochure of Premacy, Mazda Premacy, Feb. 2005, Mazda Motor Corporation Japan.

Brochure of Mobilio, Honda Mobilio, Jun. 2005, Honda Motor Co., Ltd.

Brochure of Volvo S40, Volvo S40, Apr. 2004, Volvo Cars Japan.

* cited by examiner

Primary Examiner—Stacia Cadmus

(74) *Attorney, Agent, or Firm*—Finnegan, Henderson, Farabow, Garrett & Dunner, L.L.P.

(57) **CLAIM**

The ornamental design for a dashboard and console for an automobile, as shown and described.

DESCRIPTION

FIG. 1 is a right-front, perspective view of a dashboard and console for an automobile of our new design;

FIG. 2 is a front view thereof;

FIG. 3 is a top view thereof;

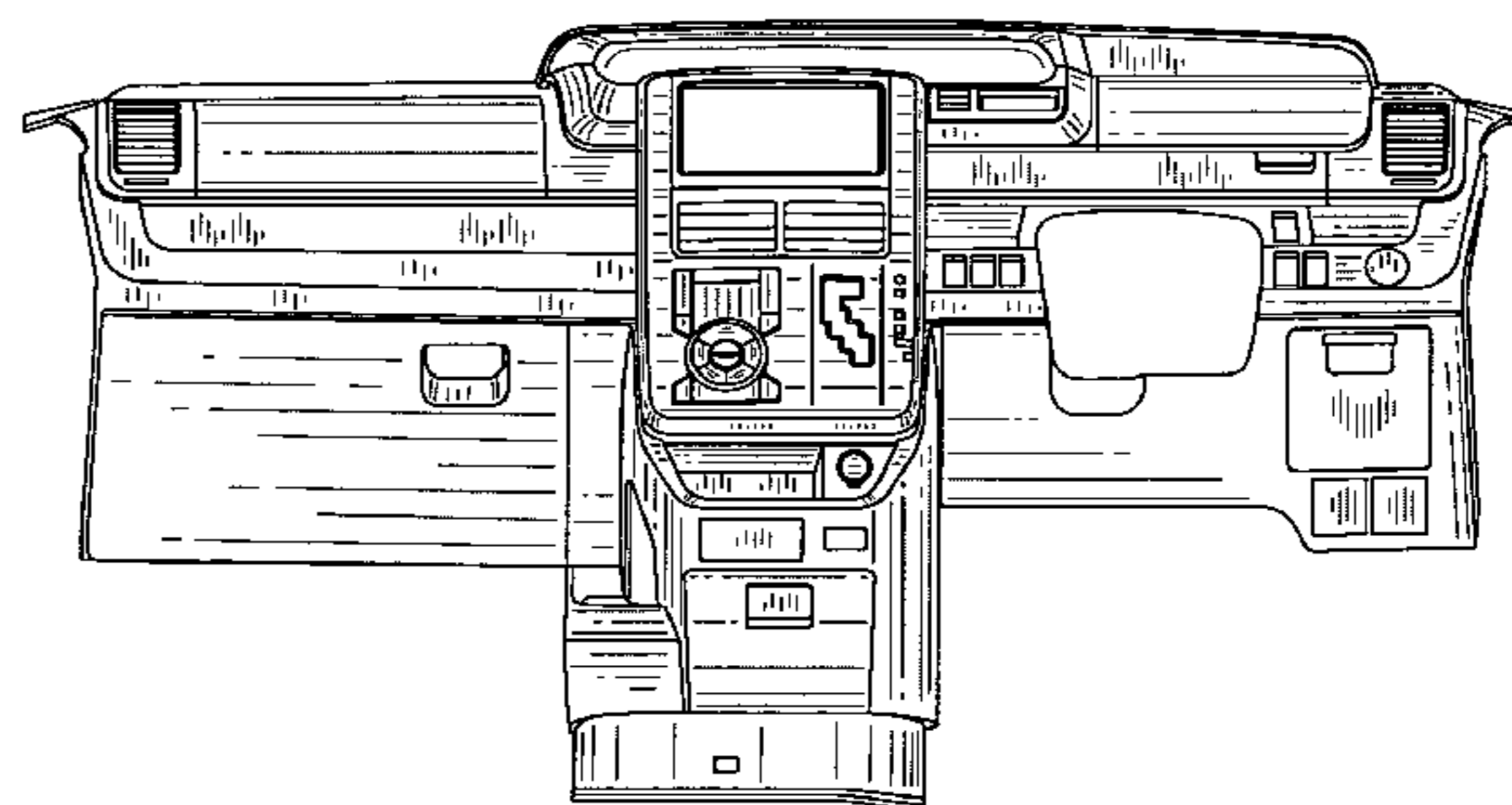
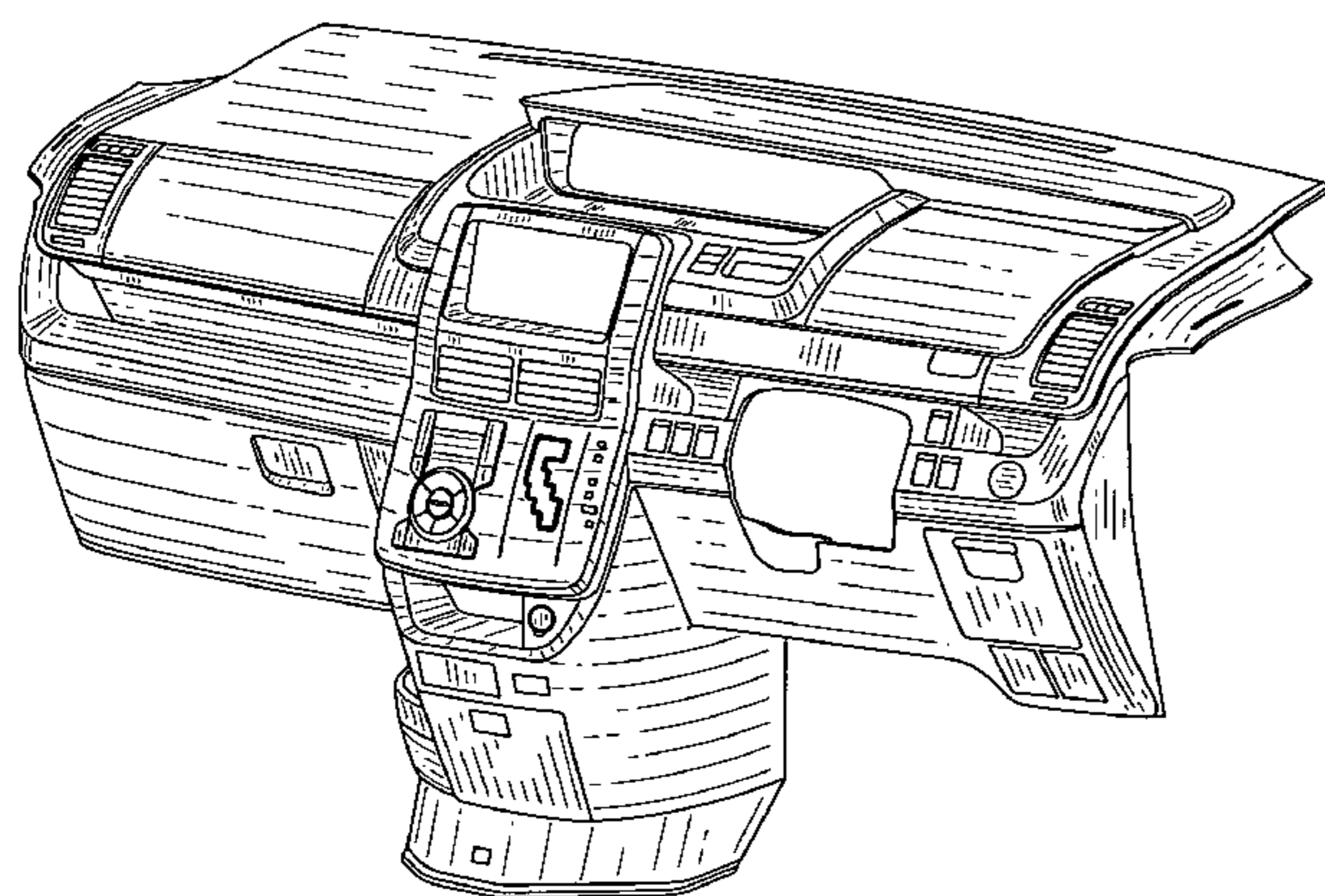
FIG. 4 is a bottom view thereof;

FIG. 5 is a left-side view thereof, and,

FIG. 6 is a right-side view thereof.

The rear of the dashboard and console is not seen during ordinary use and forms no part of the claimed design. Our design includes the mirror image of the embodiment depicted.

1 Claim, 4 Drawing Sheets



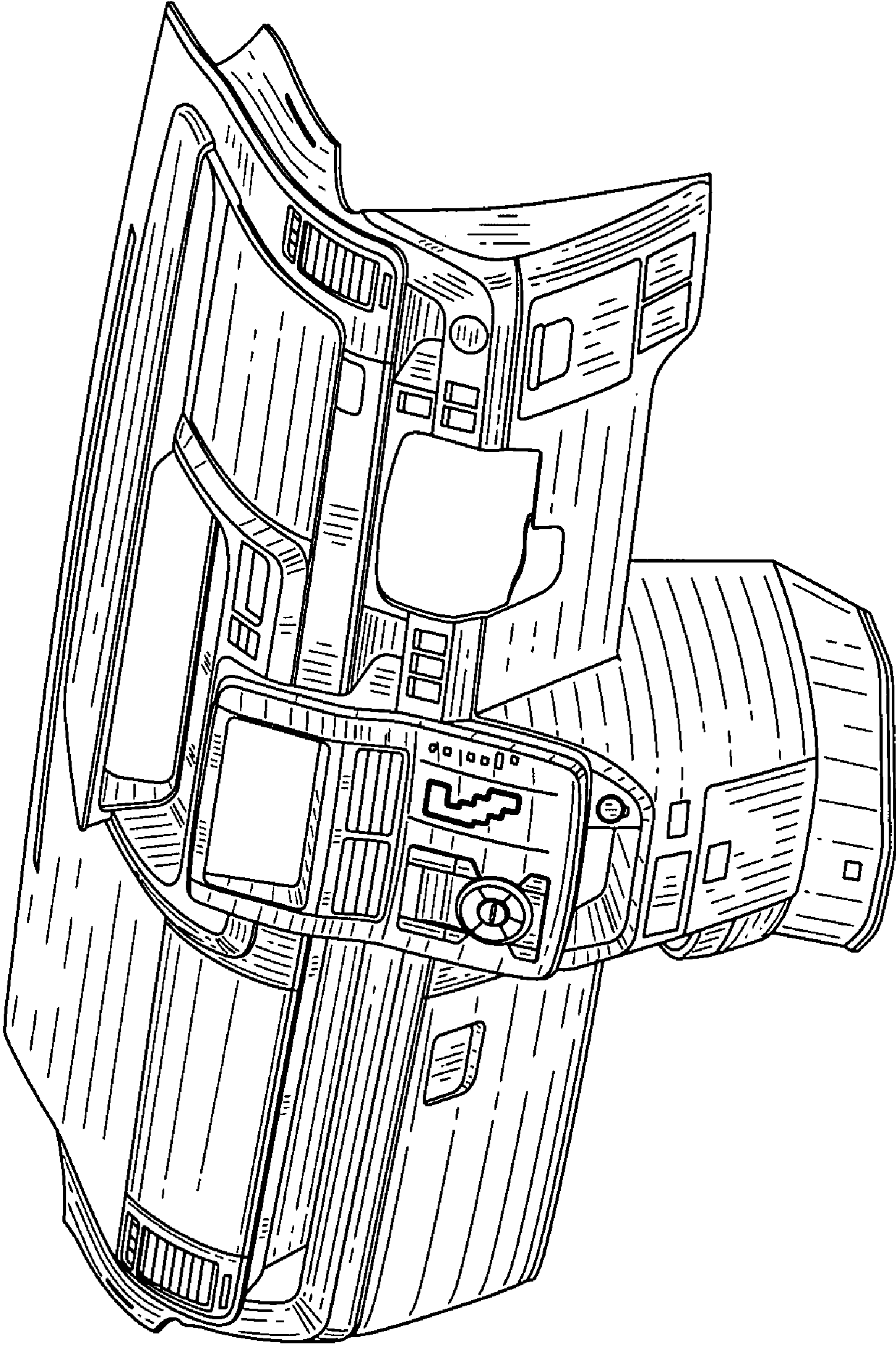


FIG. 1

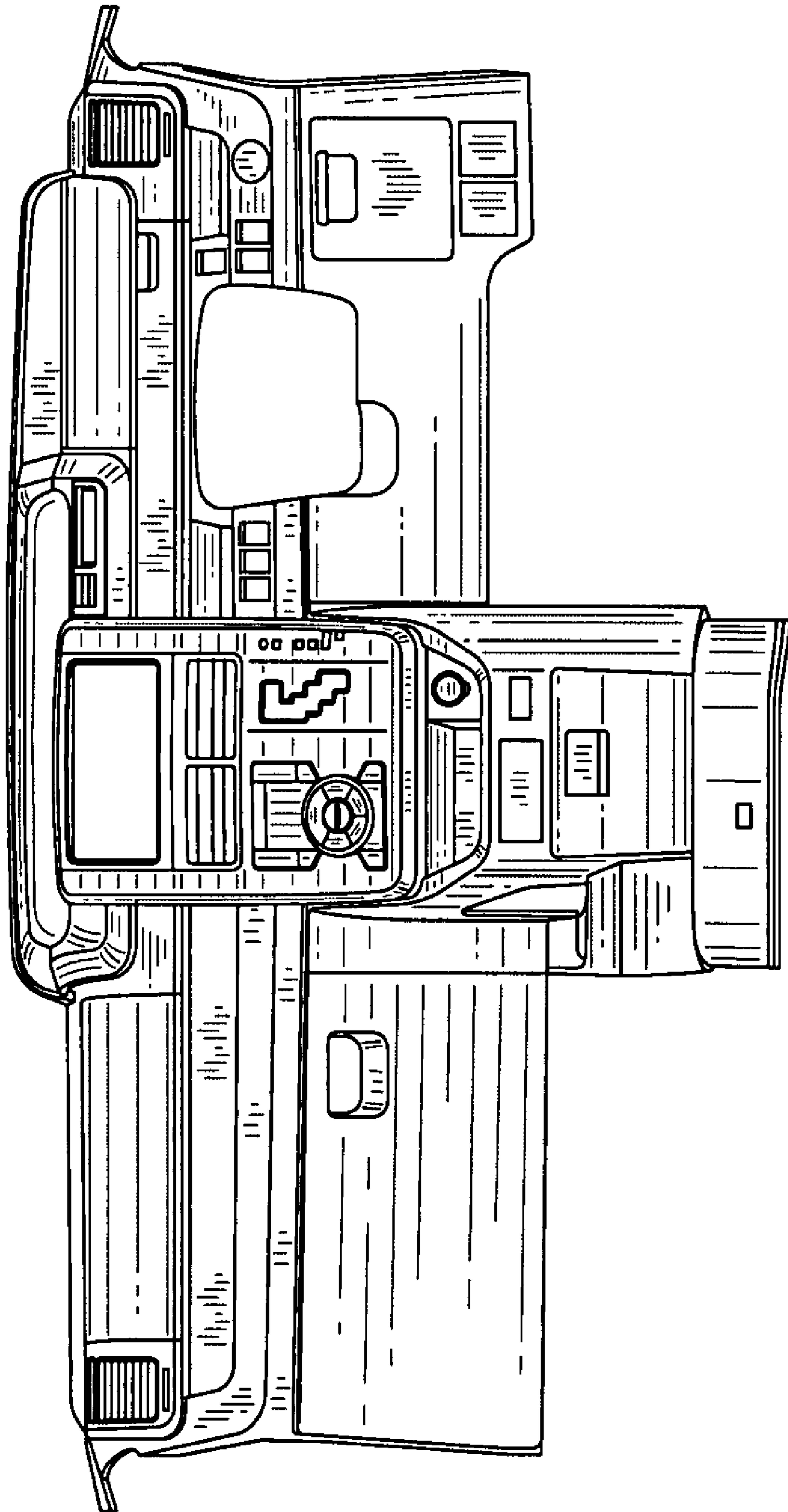


FIG. 2

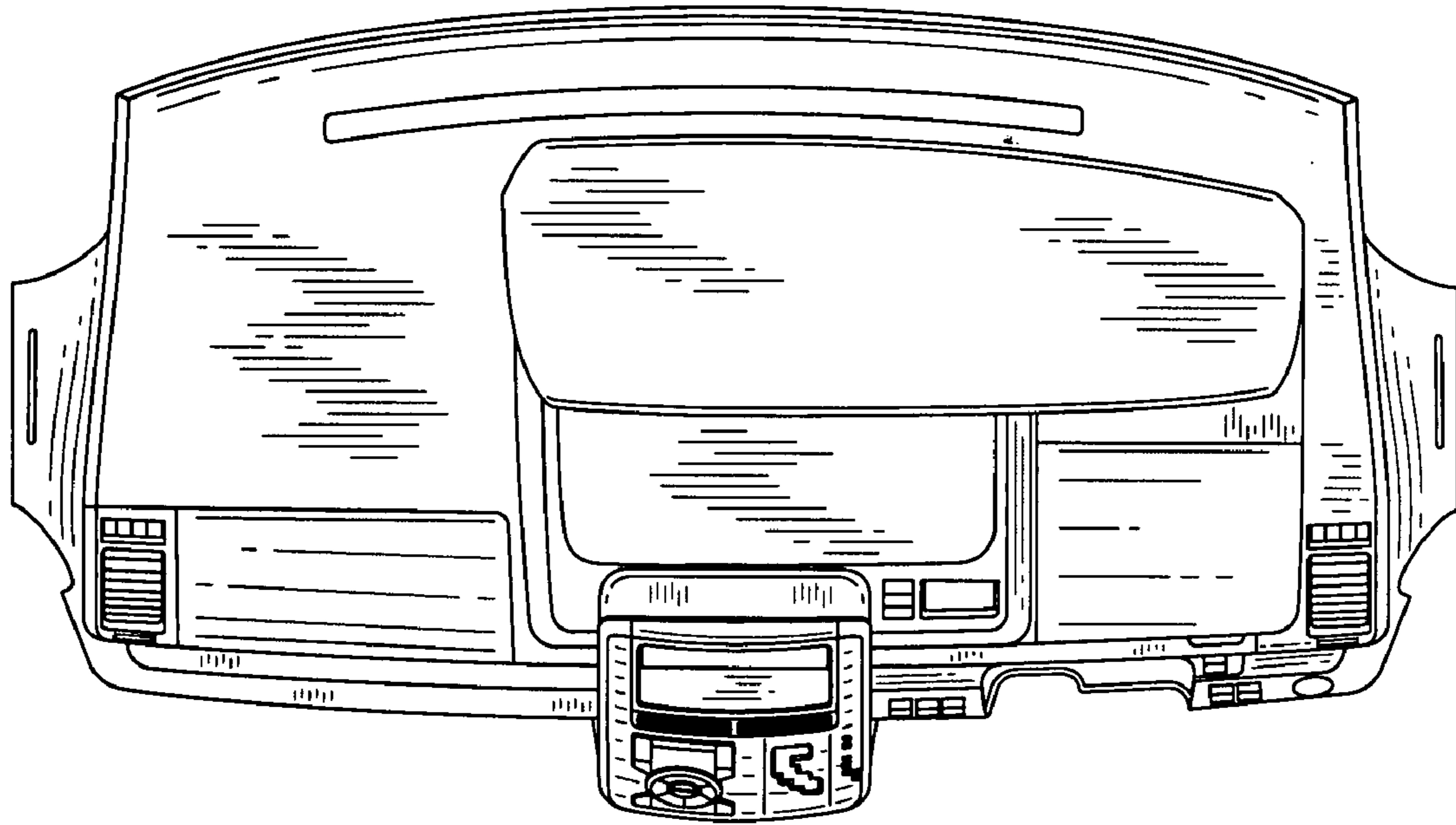


FIG. 3

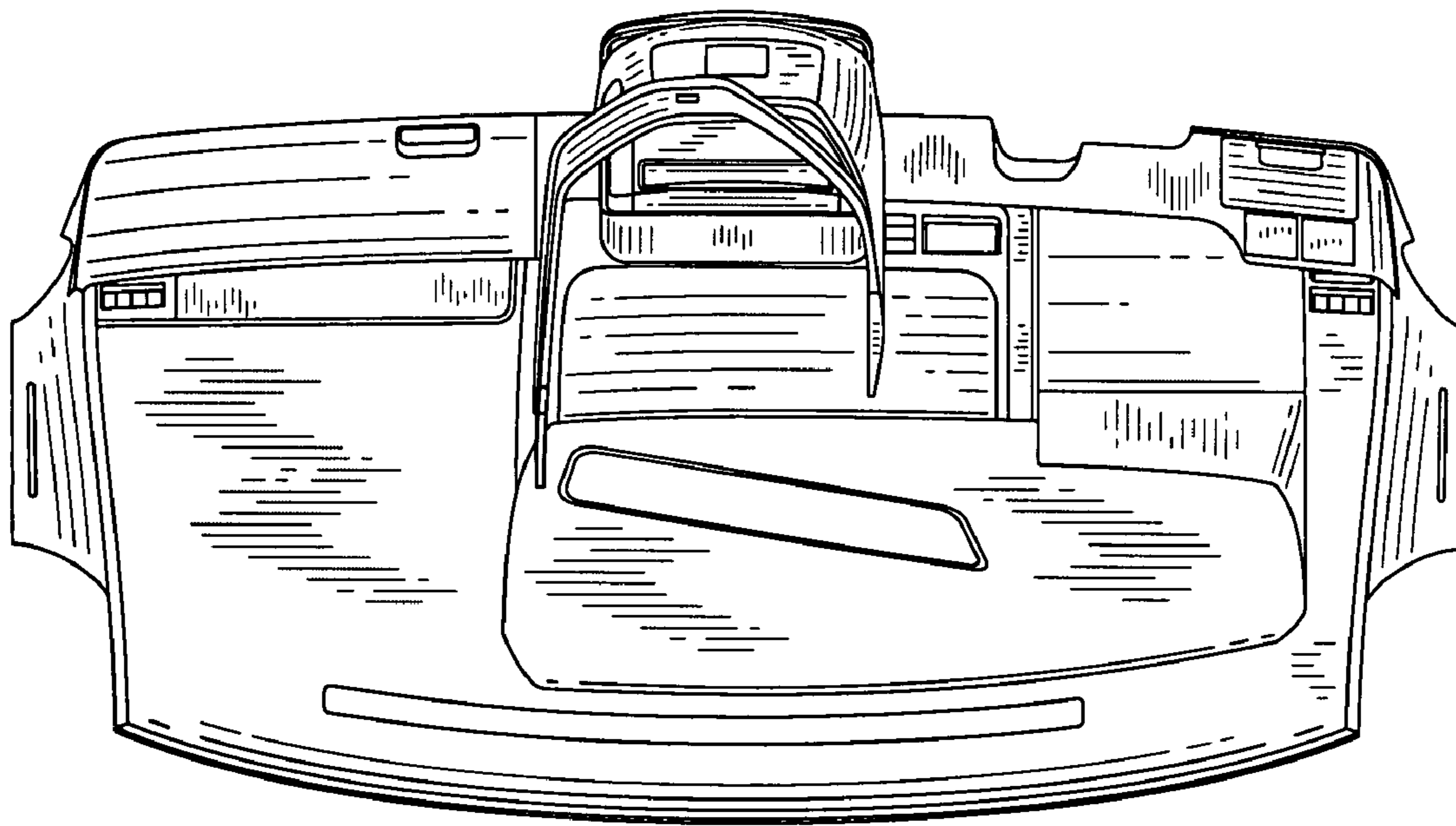


FIG. 4

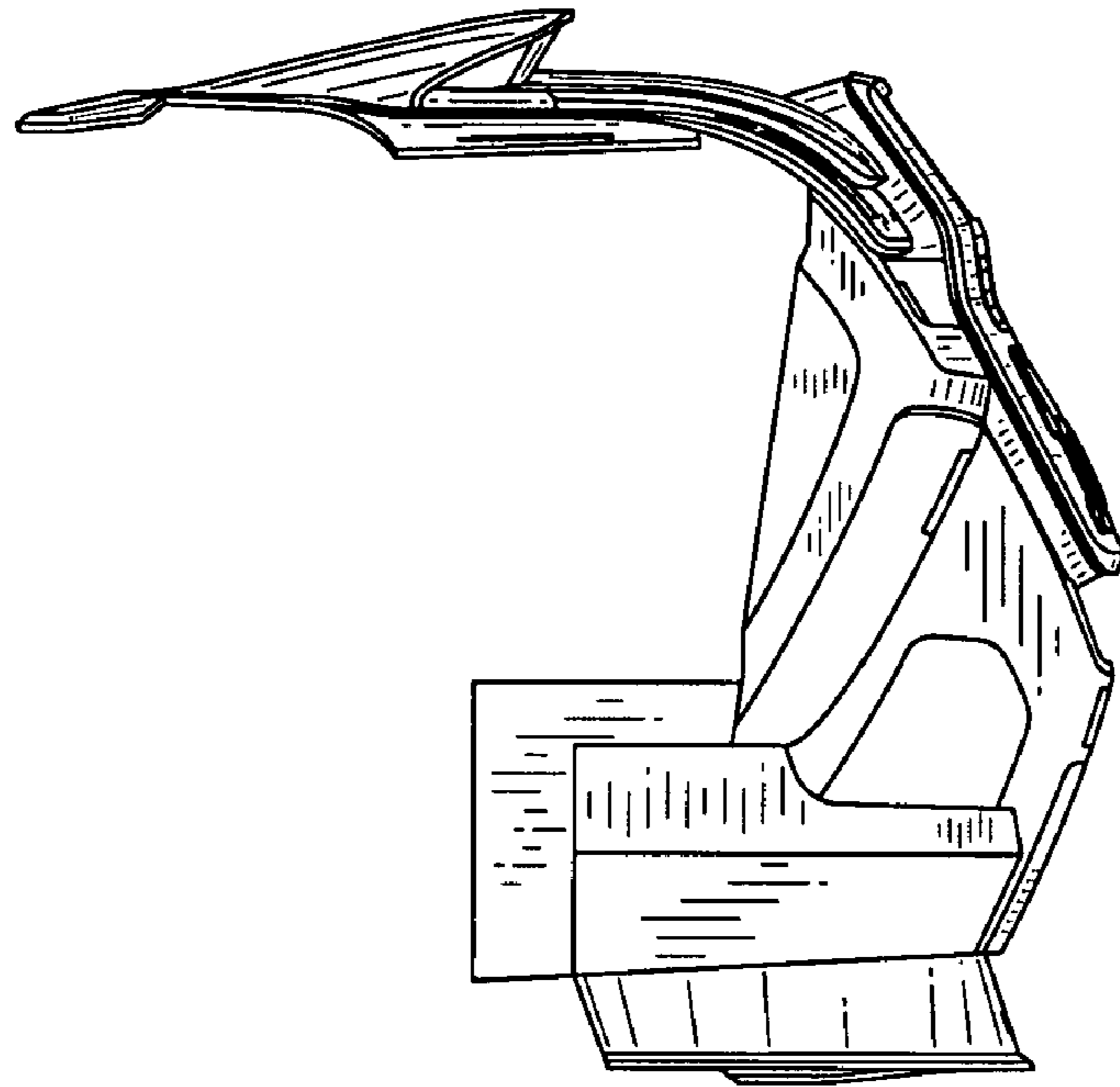


FIG. 5

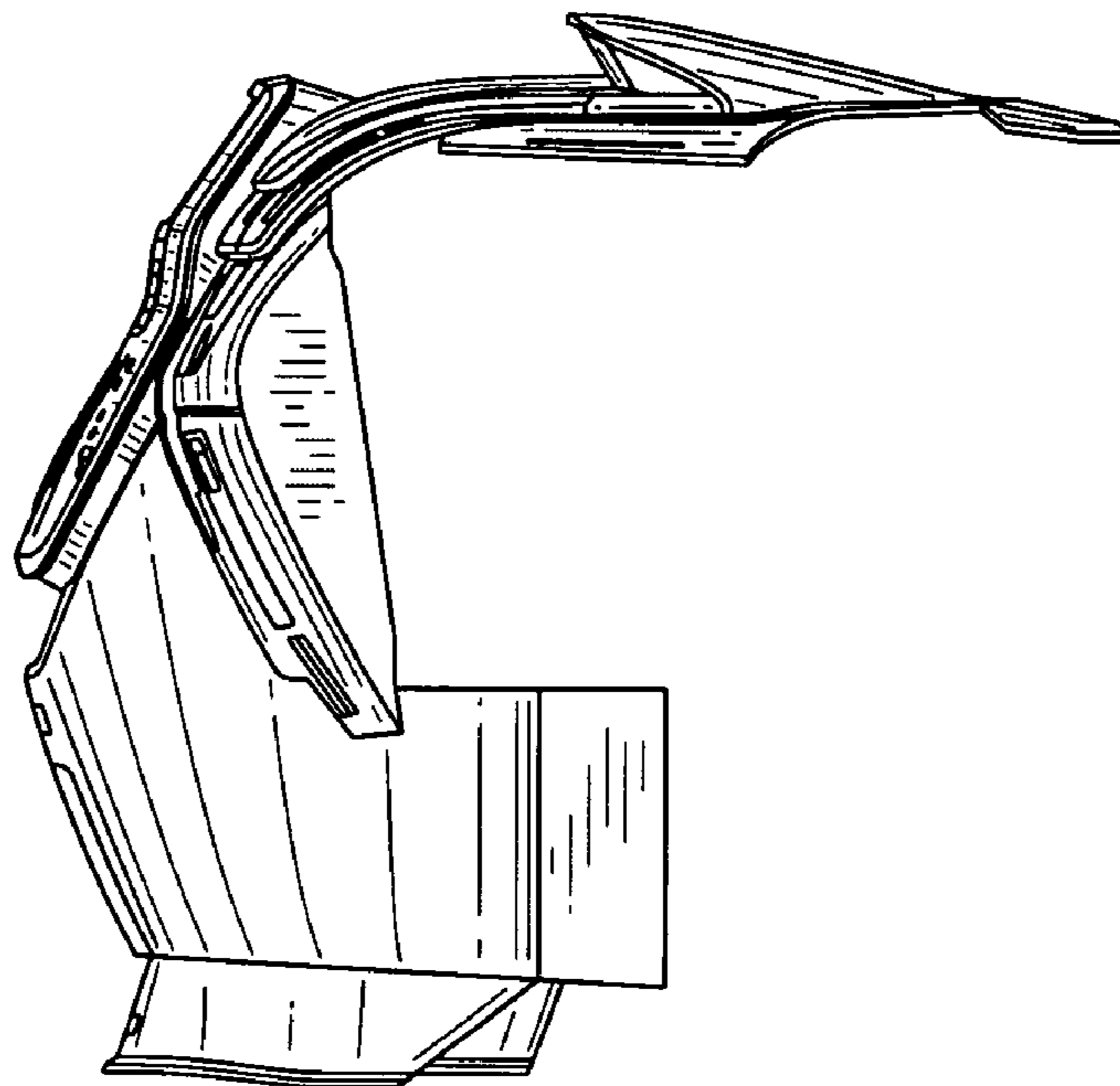


FIG. 6