

US00D563289S

(12) **United States Design Patent**
Pfeiffer

(10) **Patent No.:** **US D563,289 S**
(45) **Date of Patent:** **** Mar. 4, 2008**

- (54) **RADIATOR GRILL FOR A VEHICLE**
- (75) Inventor: **Peter Pfeiffer**, Boeblingen (DE)
- (73) Assignee: **DaimlerChrysler AG**, Stuttgart (DE)
- (**) Term: **14 Years**
- (21) Appl. No.: **29/271,922**
- (22) Filed: **Jan. 30, 2007**
- (30) **Foreign Application Priority Data**
Jul. 31, 2006 (DE) 4 06 03 970
- (51) **LOC (8) Cl.** **12-16**
- (52) **U.S. Cl.** **D12/163**
- (58) **Field of Classification Search** D12/163,
D12/171, 90-92, 216, 169, 196; 180/68.1,
180/68.6; 296/193.11; 293/102, 113, 115
See application file for complete search history.

(56) **References Cited**

U.S. PATENT DOCUMENTS

- D429,196 S * 8/2000 Sacco et al. D12/163
- D475,329 S * 6/2003 Okumoto et al. D12/163
- D519,426 S * 4/2006 Ikeda D12/163
- D526,253 S * 8/2006 Oda D12/163
- D537,760 S * 3/2007 Pfeiffer D12/163

D545,727 S * 7/2007 Pfeiffer D12/163

* cited by examiner

Primary Examiner—Melody N. Brown

(74) *Attorney, Agent, or Firm*—Crowell & Moring LLP

(57) **CLAIM**

The ornamental design for a radiator grill for a vehicle, as shown and described.

DESCRIPTION

This application is related to the following co-pending application, of the inventor, filed on even date herewith:

Application Ser. No. 29/271,921 entitled “Vehicle, Toy, and/or Other Replicas”.

FIG. 1 is a right perspective view of a radiator grill for a vehicle according to my novel design, the left perspective view being mirror symmetrical;

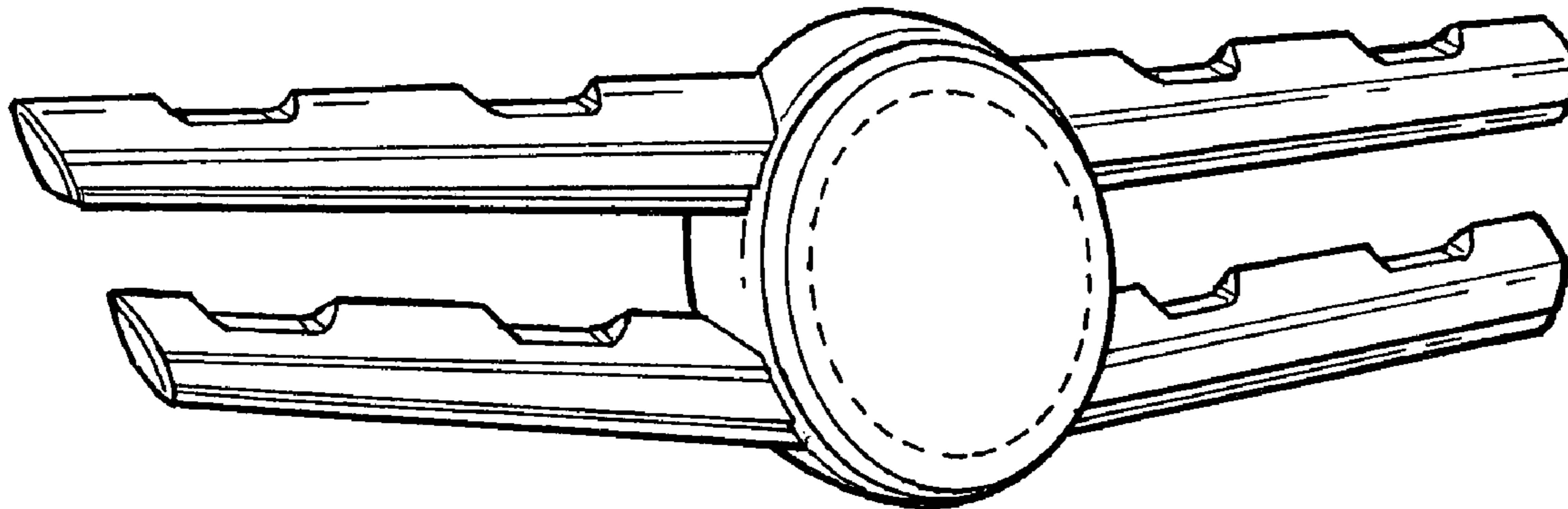
FIG. 2 is a front view thereof;

FIG. 3 is a top view thereof; and,

FIG. 4 is a left side view thereof, the right side view being mirror symmetrical.

The broken lines are for illustrative purposes only and form no part of the claimed design.

1 Claim, 2 Drawing Sheets



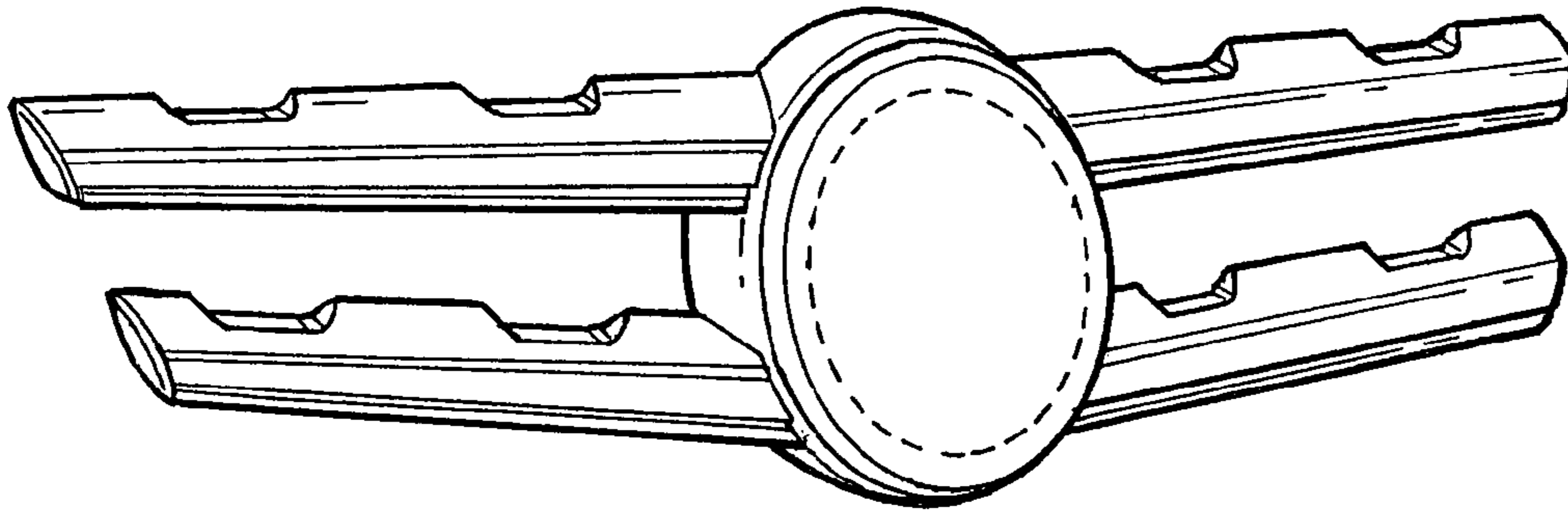


FIG. 1

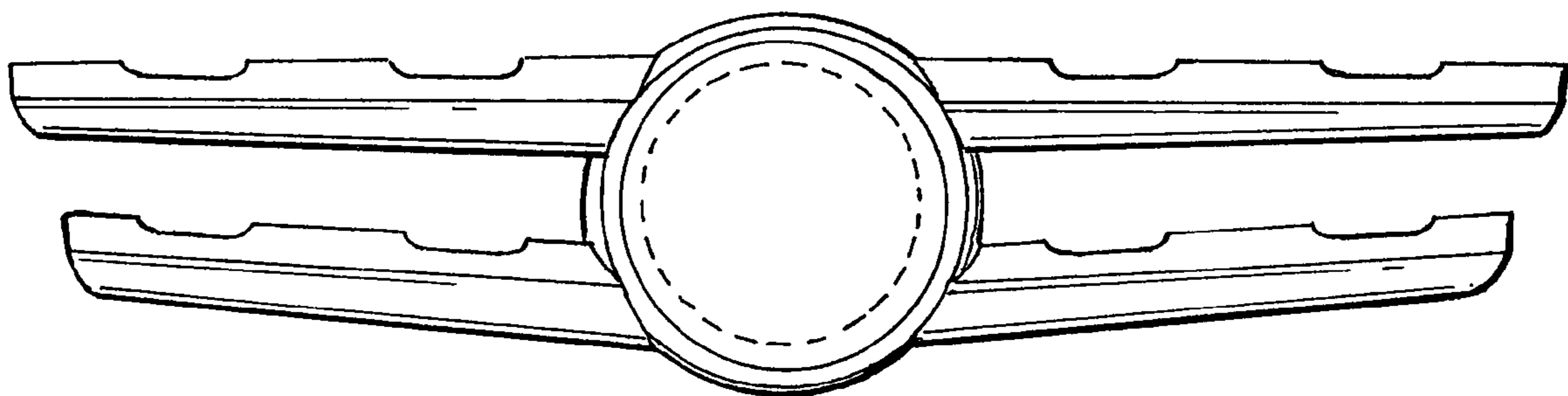


FIG. 2

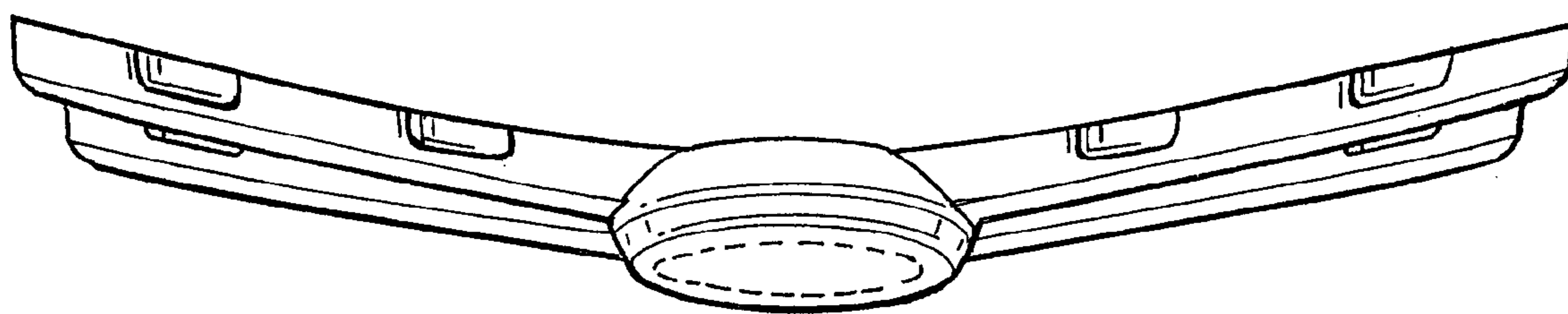


FIG. 3

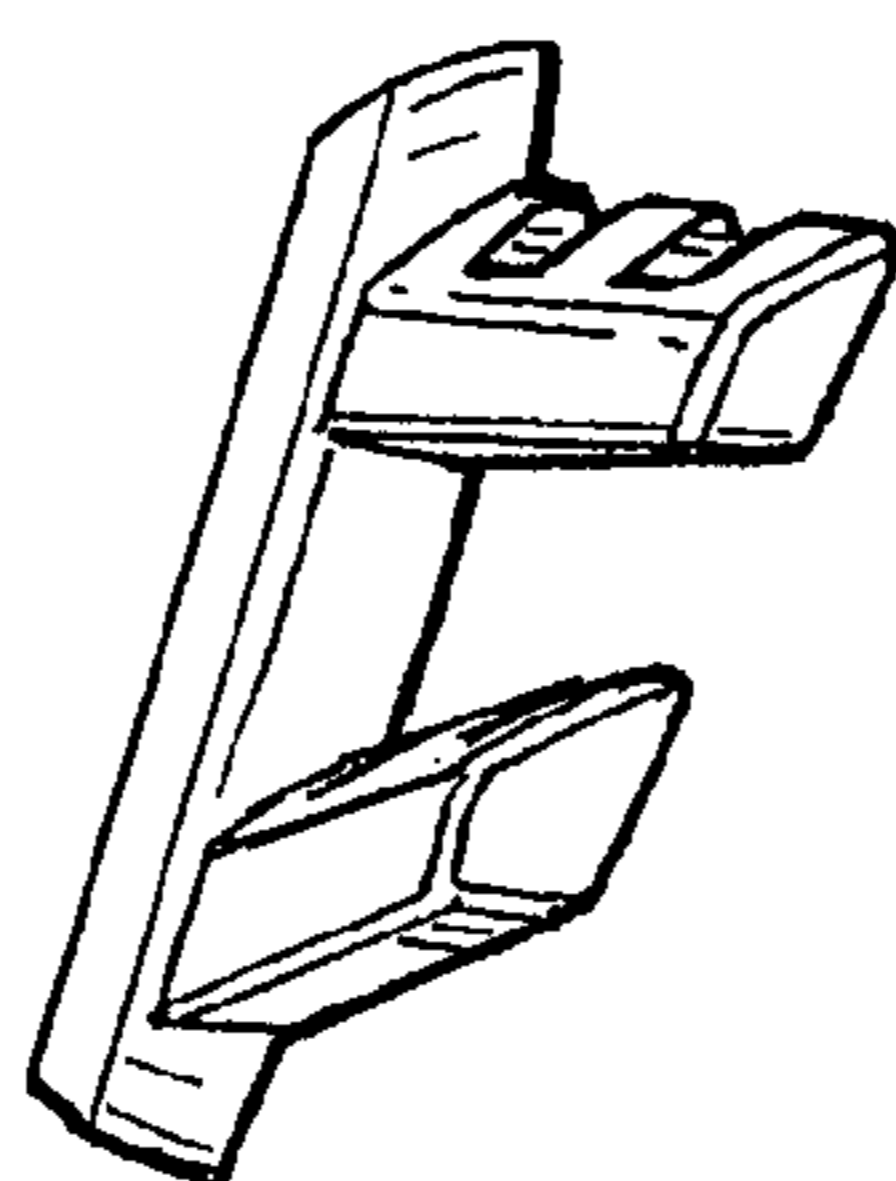


FIG. 4