



US00D563285S

(12) **United States Design Patent**
Yan

(10) **Patent No.:** **US D563,285 S**

(45) **Date of Patent:** **** *Mar. 4, 2008**

(54) **RECREATIONAL VEHICLE**

(76) Inventor: **Zhenguang Yan**, No. 20, Jin Shan East Road, Hardware Technological Industrial Park, Yongkang (CN) 321301

(*) Notice: This patent is subject to a terminal disclaimer.

(**) Term: **14 Years**

(21) Appl. No.: **29/246,127**

(22) Filed: **Feb. 22, 2006**

(30) **Foreign Application Priority Data**

Aug. 30, 2005 (CN) 2005 3 0107500

(51) **LOC (8) Cl.** **12-11**

(52) **U.S. Cl.** **D12/113**

(58) **Field of Classification Search** D12/110-113, D12/107; 280/282, 62, 827, 828, 202, 267, 280/281.1, 288.2; 180/210, 211, 220; D21/423, D21/435, 432, 538; 446/440
See application file for complete search history.

(56) **References Cited**

U.S. PATENT DOCUMENTS

3,650,344 A * 3/1972 Plessinger et al. 280/282

D228,399 S * 9/1973 Camfield D12/112
4,740,004 A * 4/1988 McMullen 280/282
4,787,470 A * 11/1988 Badsey 180/210

* cited by examiner

Primary Examiner—Cathron Brooks

Assistant Examiner—Linda Brooks

(74) *Attorney, Agent, or Firm*—Banner & Witcoff, Ltd

(57) **CLAIM**

The ornamental design for a recreational vehicle, as shown and described.

DESCRIPTION

FIG. 1 is a front view of a recreational vehicle showing my new design;

FIG. 2 is a rear view thereof;

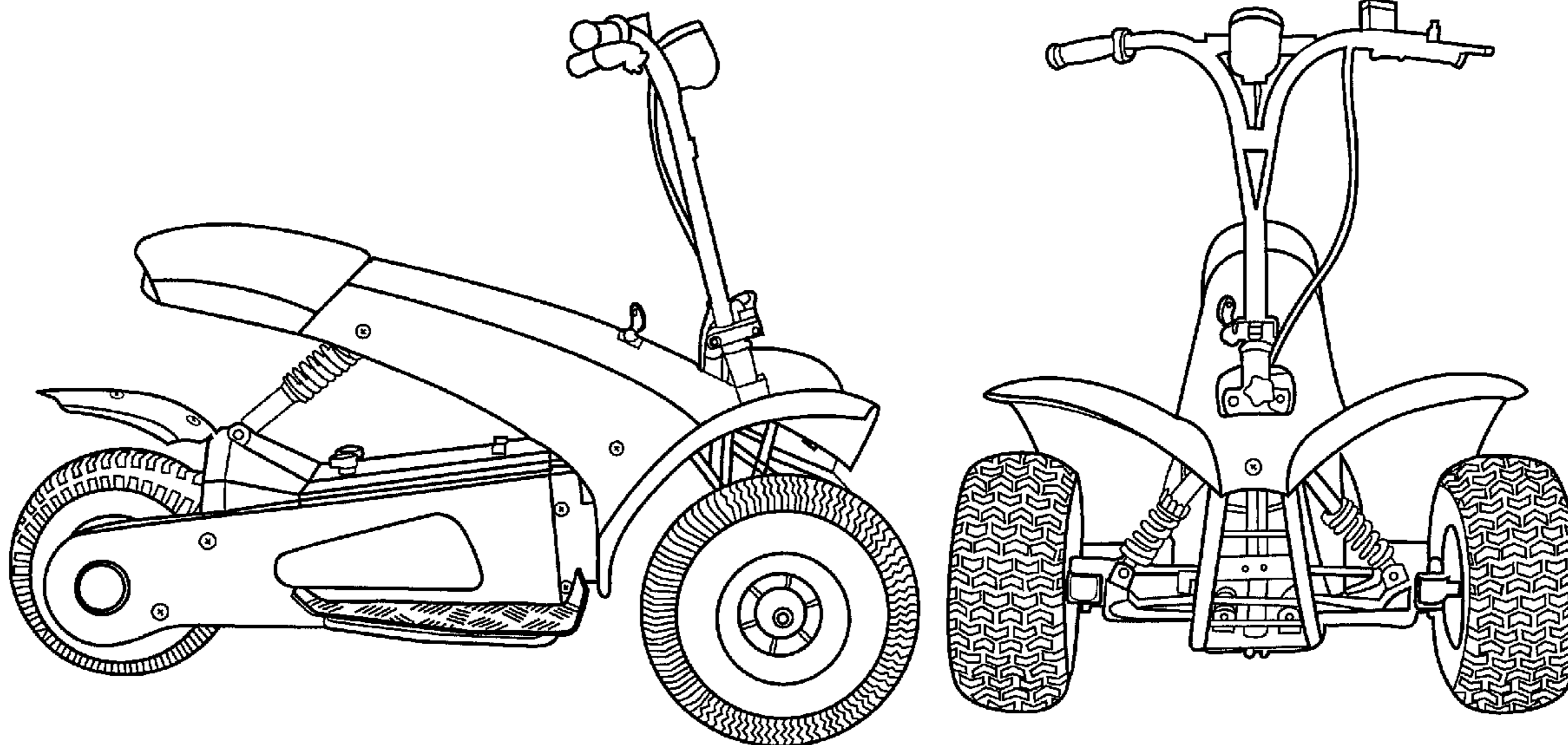
FIG. 3 is a right side view thereof;

FIG. 4 is a left side view thereof;

FIG. 5 is a top view thereof; and,

FIG. 6 is a bottom view thereof.

1 Claim, 3 Drawing Sheets



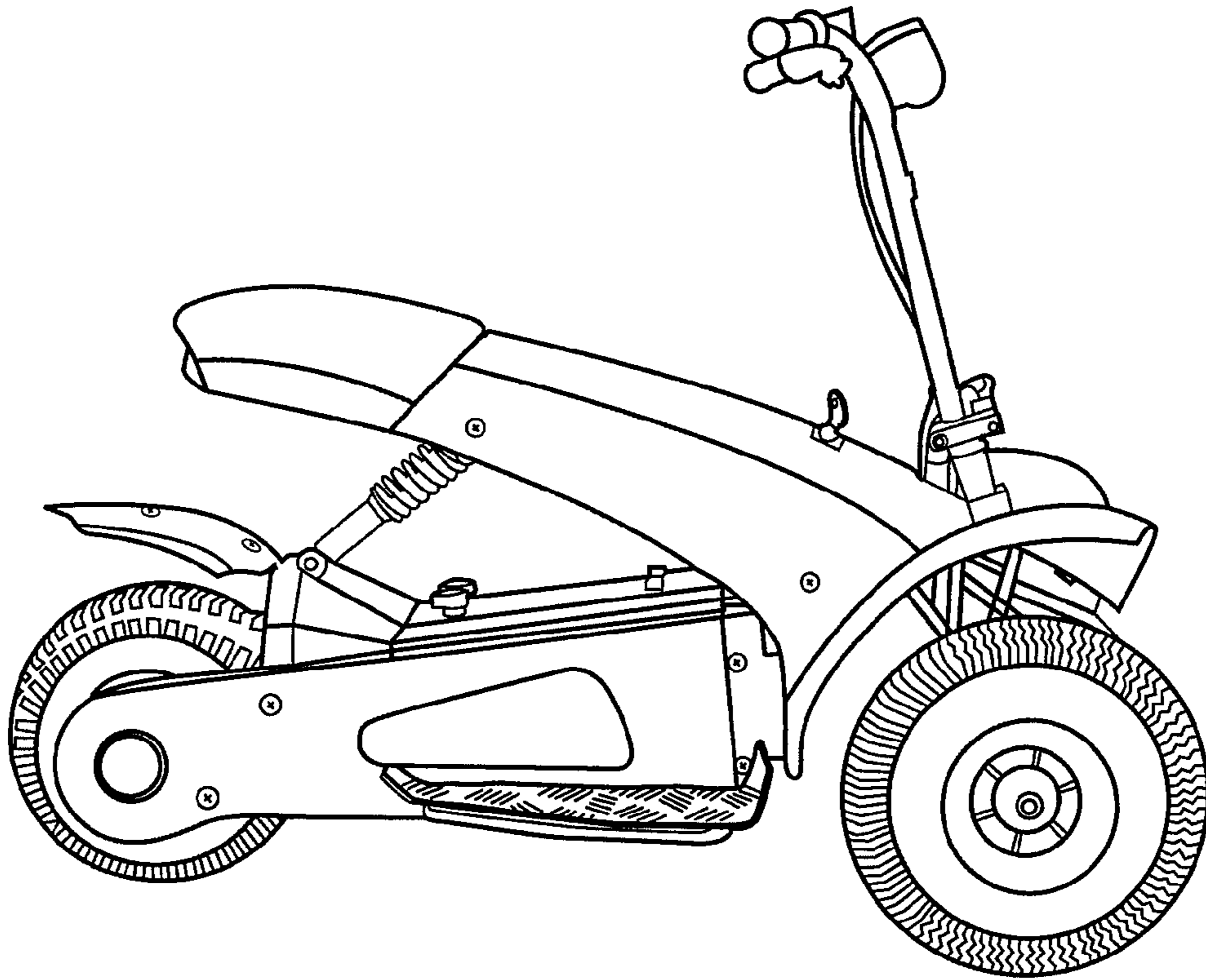


Fig. 1

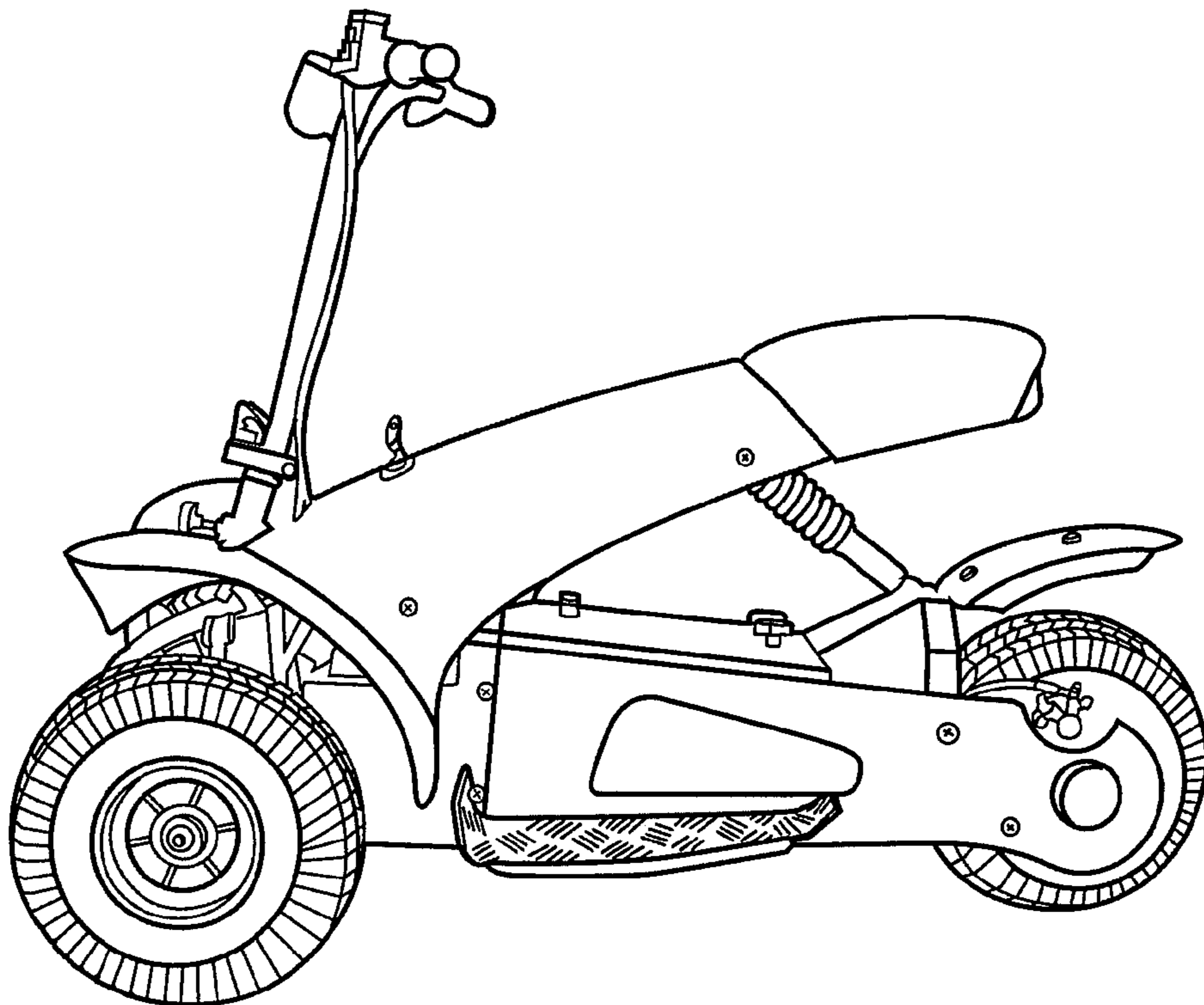


Fig. 2

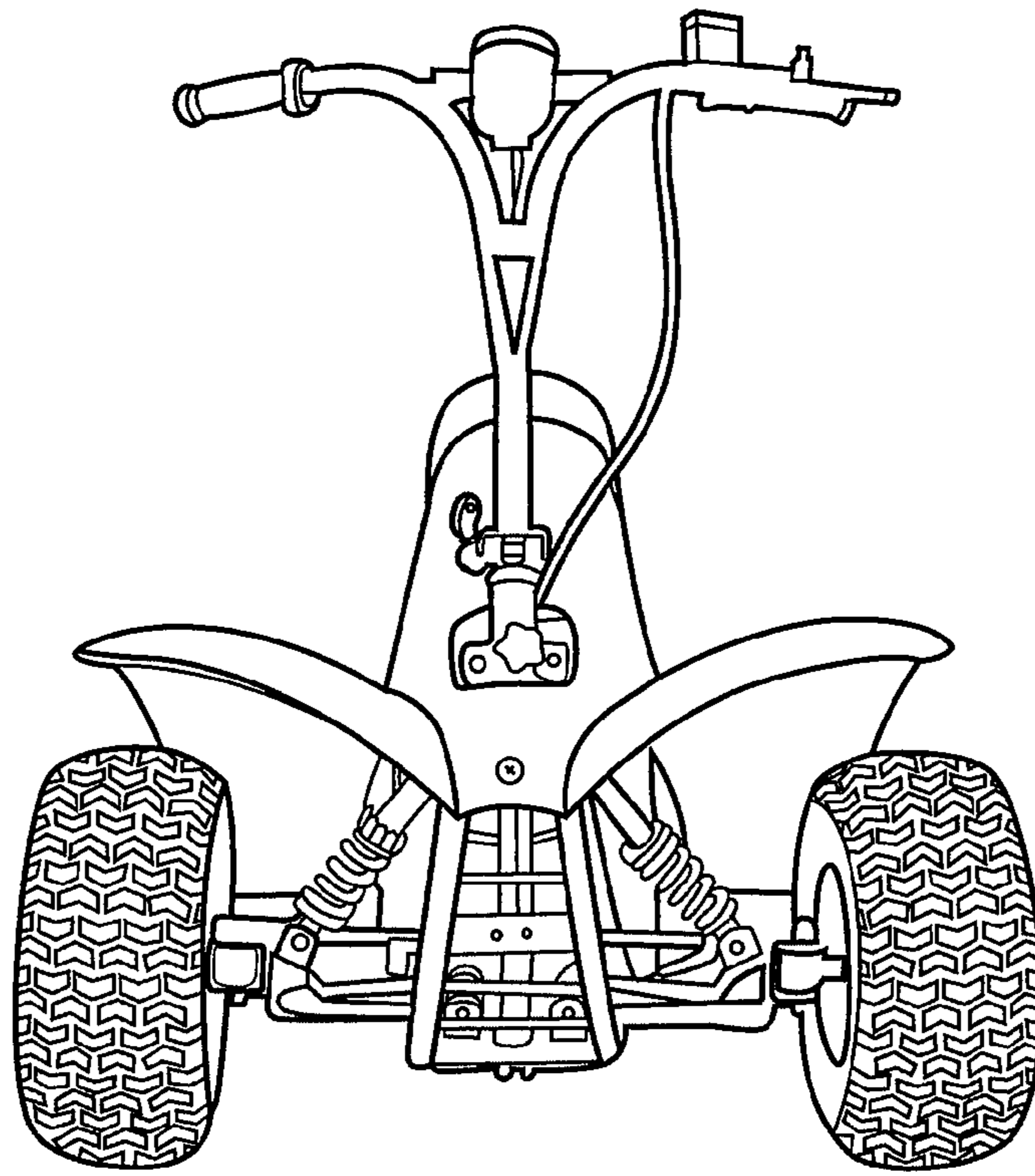


Fig. 3

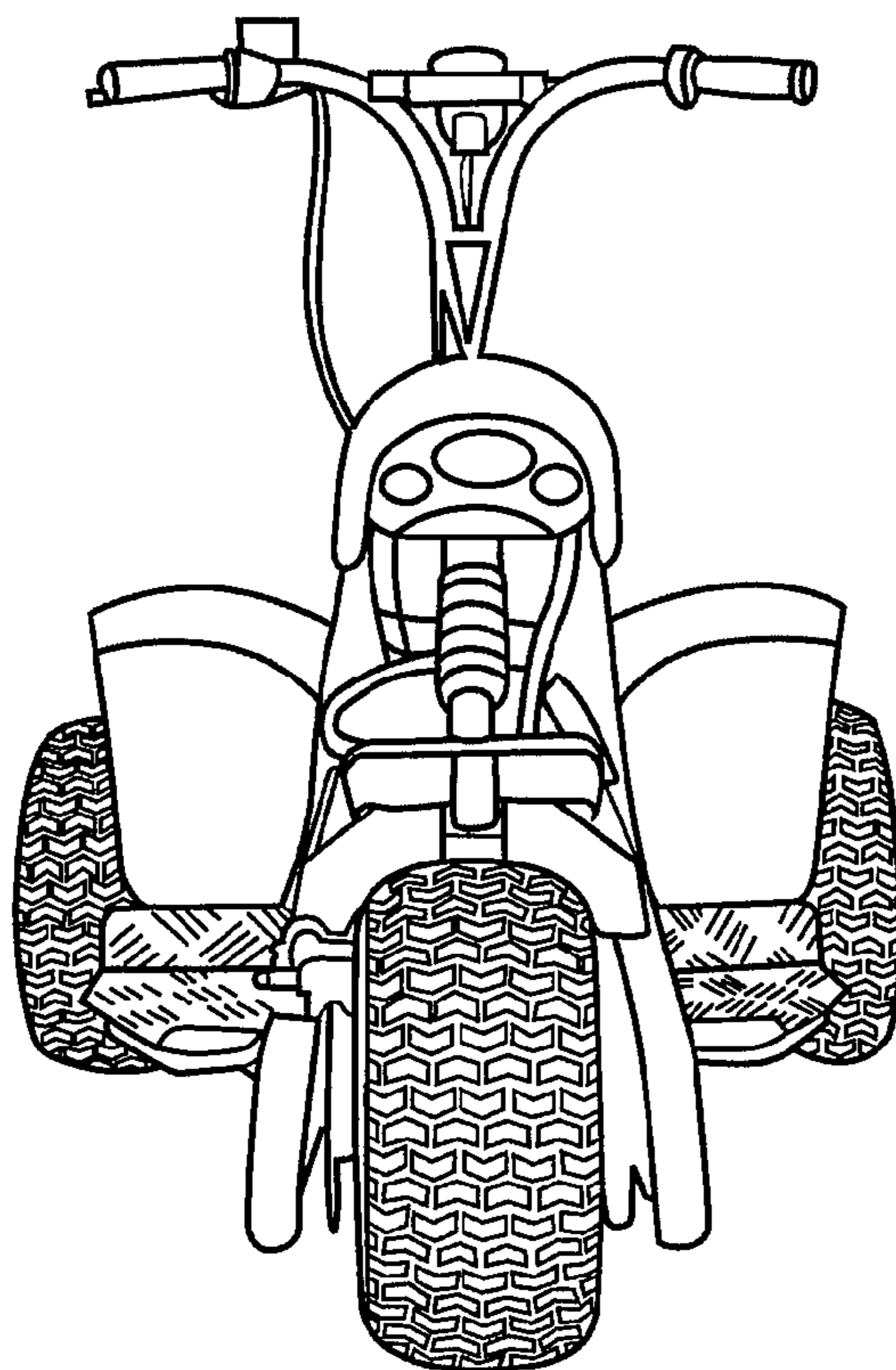


Fig. 4

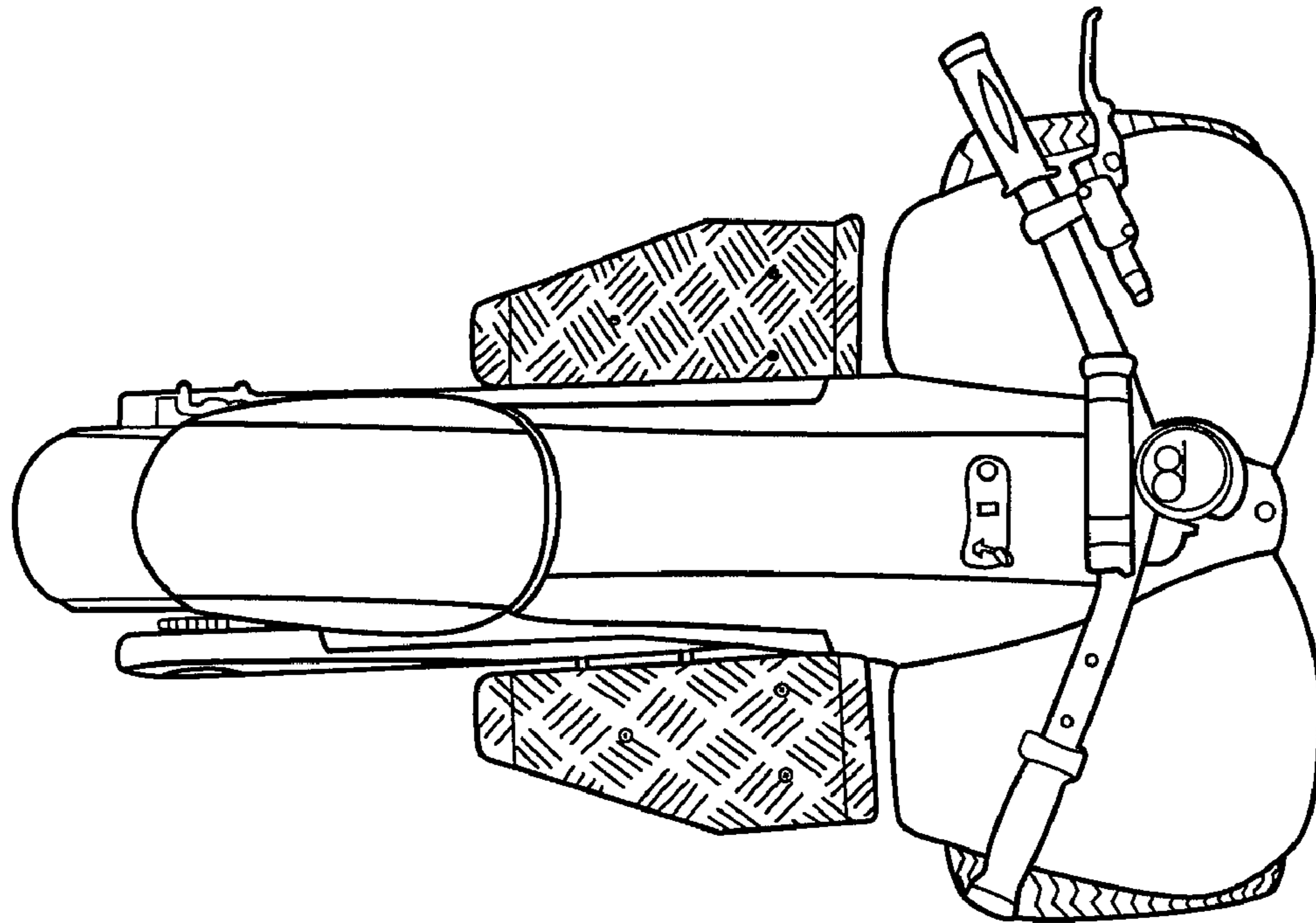


Fig. 5

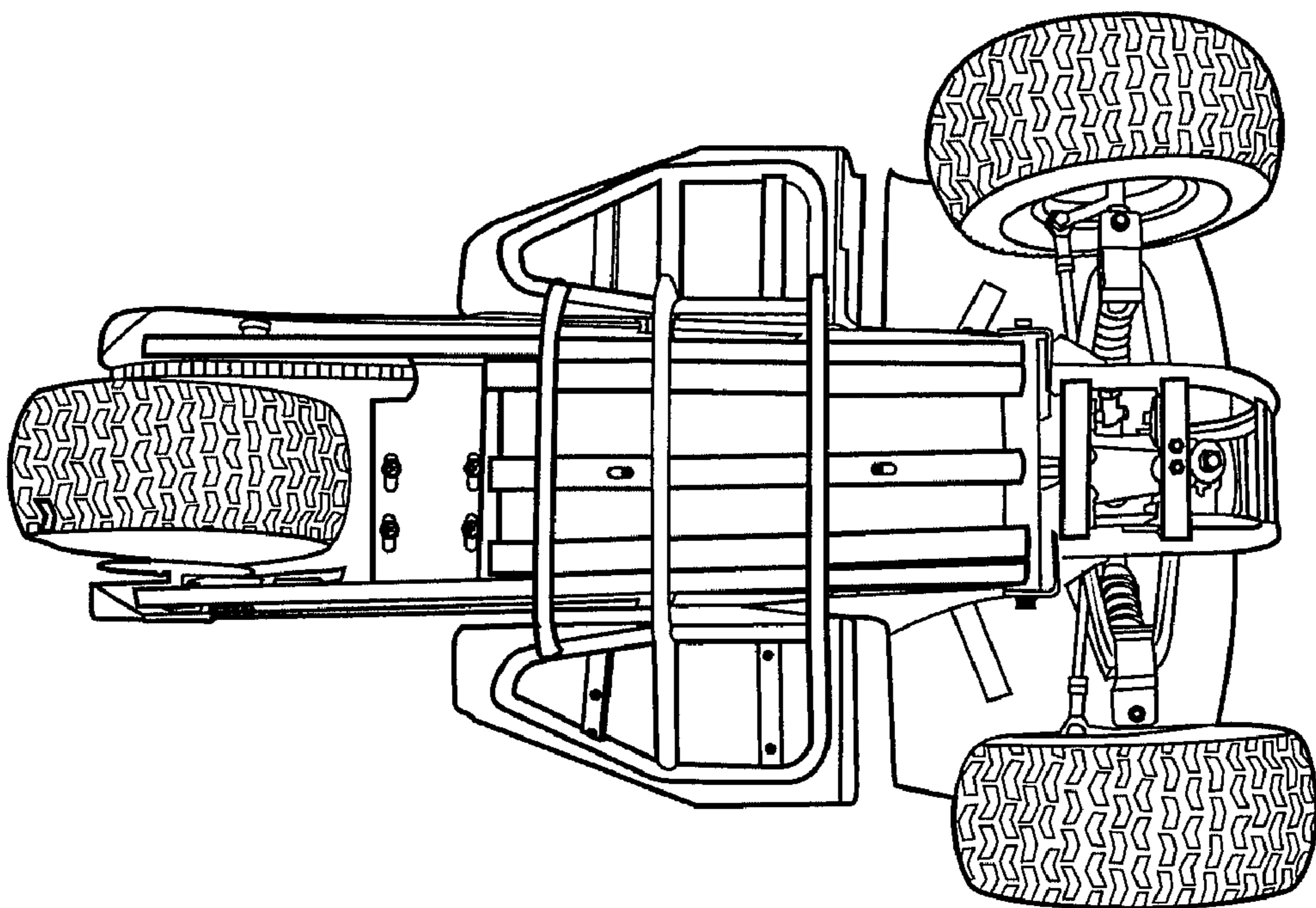


Fig. 6