

US00D563283S

(12) **United States Design Patent**  
**Cheng**

(10) **Patent No.:** **US D563,283 S**

(45) **Date of Patent:** **\*\* Mar. 4, 2008**

(54) **MOTORCYCLE**

D524,697 S \* 7/2006 Hsing ..... D12/110  
D529,415 S \* 10/2006 Shimada et al. .... D12/110  
D547,700 S \* 7/2007 Lin ..... D12/110

(75) Inventor: **Sheng-Hsiung Cheng**, Hsinchu County  
(TW)

\* cited by examiner

(73) Assignee: **Sanyang Industry Co., Ltd.**, Hsinchu  
County (TW)

*Primary Examiner*—Cathron Brooks

*Assistant Examiner*—Linda Brooks

(\*\*) Term: **14 Years**

(74) *Attorney, Agent, or Firm*—Quintero Law Office

(21) Appl. No.: **29/279,381**

(57) **CLAIM**

(22) Filed: **Apr. 27, 2007**

The ornamental design for a motorcycle, as shown and described.

(30) **Foreign Application Priority Data**

Mar. 14, 2007 (TW) ..... 96301448

**DESCRIPTION**

(51) **LOC (8) Cl.** ..... **12-11**

FIG. 1 is a front perspective view thereof;

(52) **U.S. Cl.** ..... **D12/110**

FIG. 2 is a front elevational view thereof;

(58) **Field of Classification Search** ..... D12/110;

FIG. 3 is a rear elevational view thereof;

180/219, 220, 225, 229

FIG. 4 is a right side elevational view thereof;

See application file for complete search history.

FIG. 5 is a left side elevational view thereof;

(56) **References Cited**

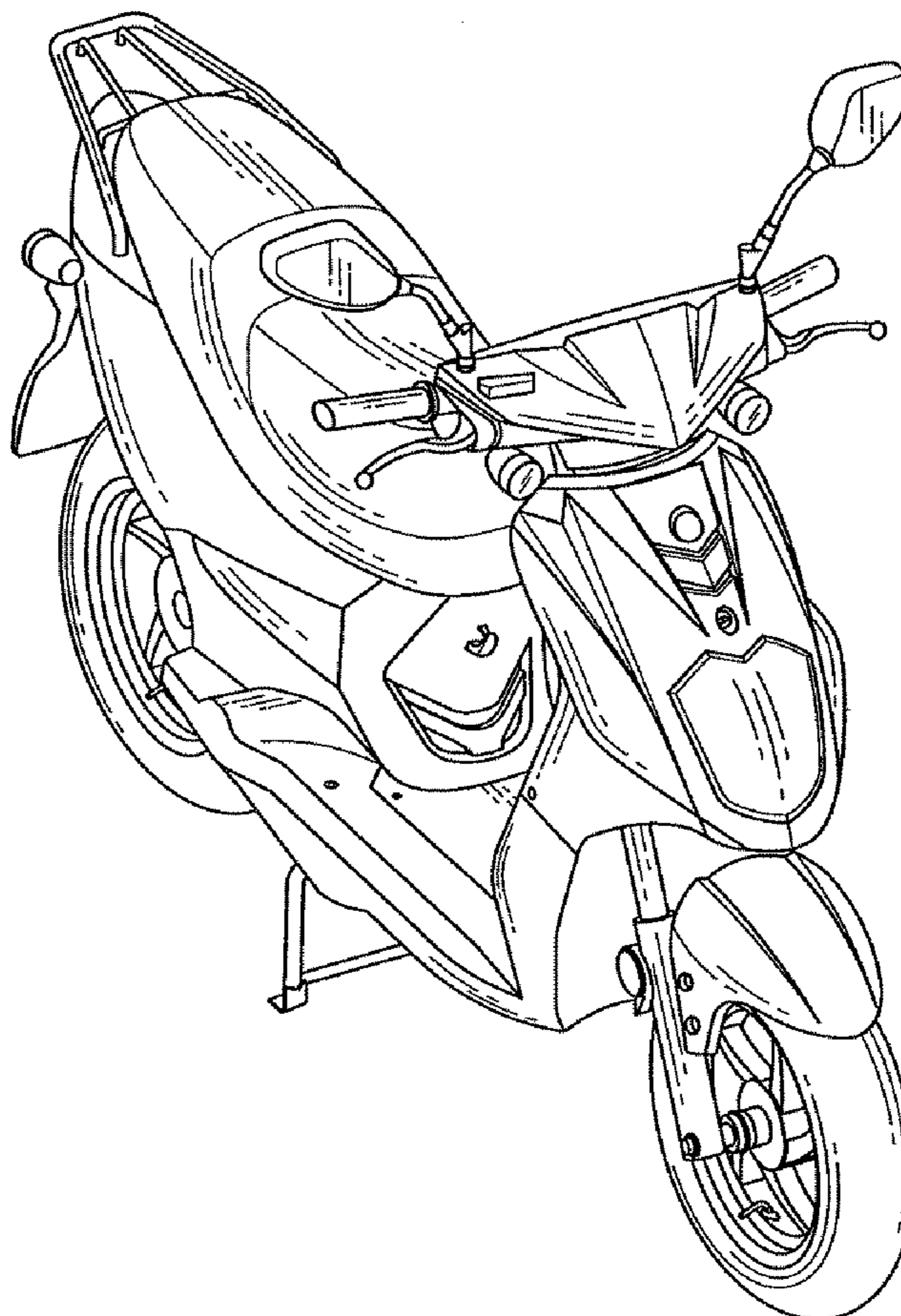
FIG. 6 is a top plan view thereof; and,

**U.S. PATENT DOCUMENTS**

FIG. 7 is a bottom plan view thereof.

D480,661 S \* 10/2003 Kawawa et al. .... D12/110

**1 Claim, 7 Drawing Sheets**



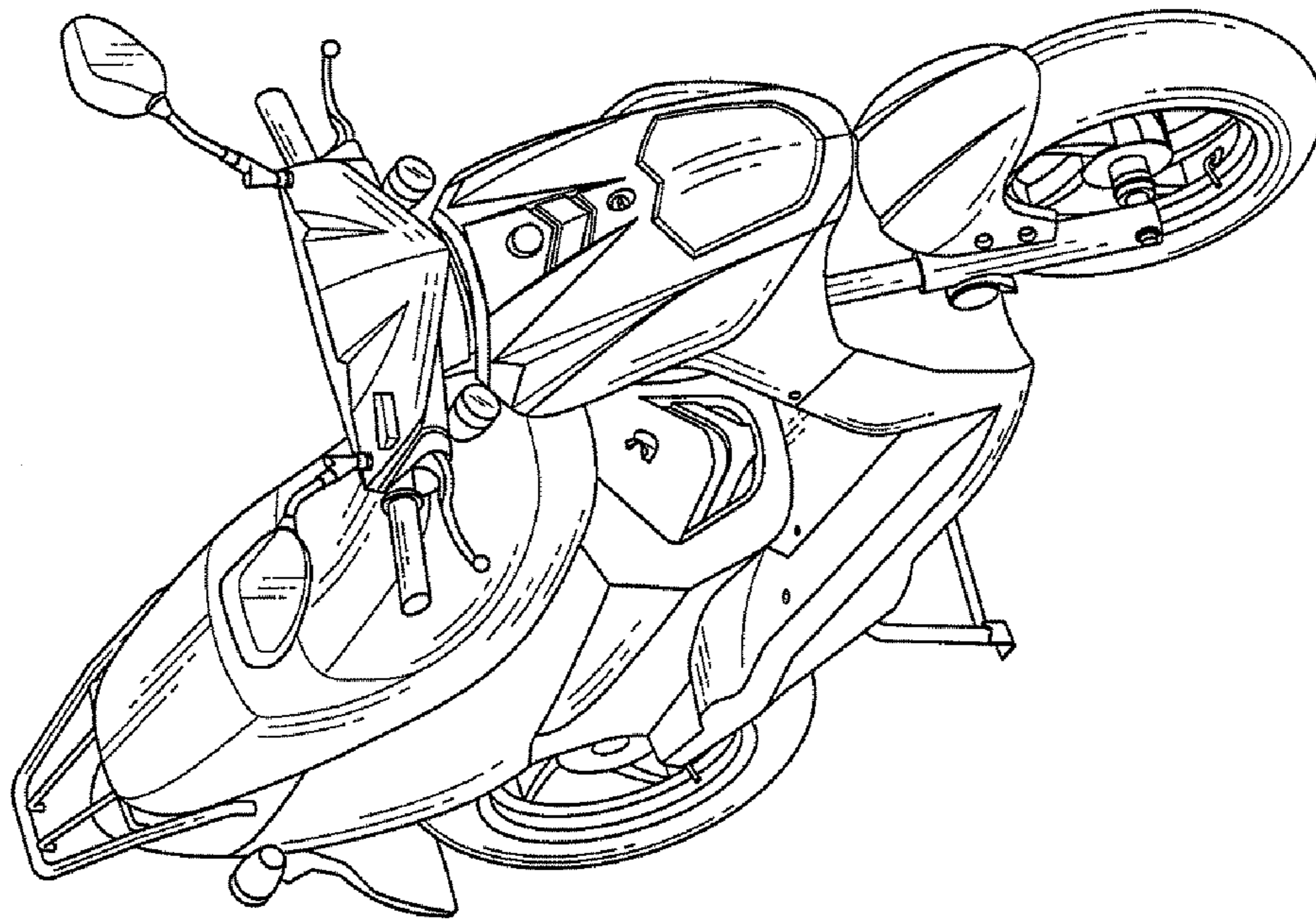


FIG. 1

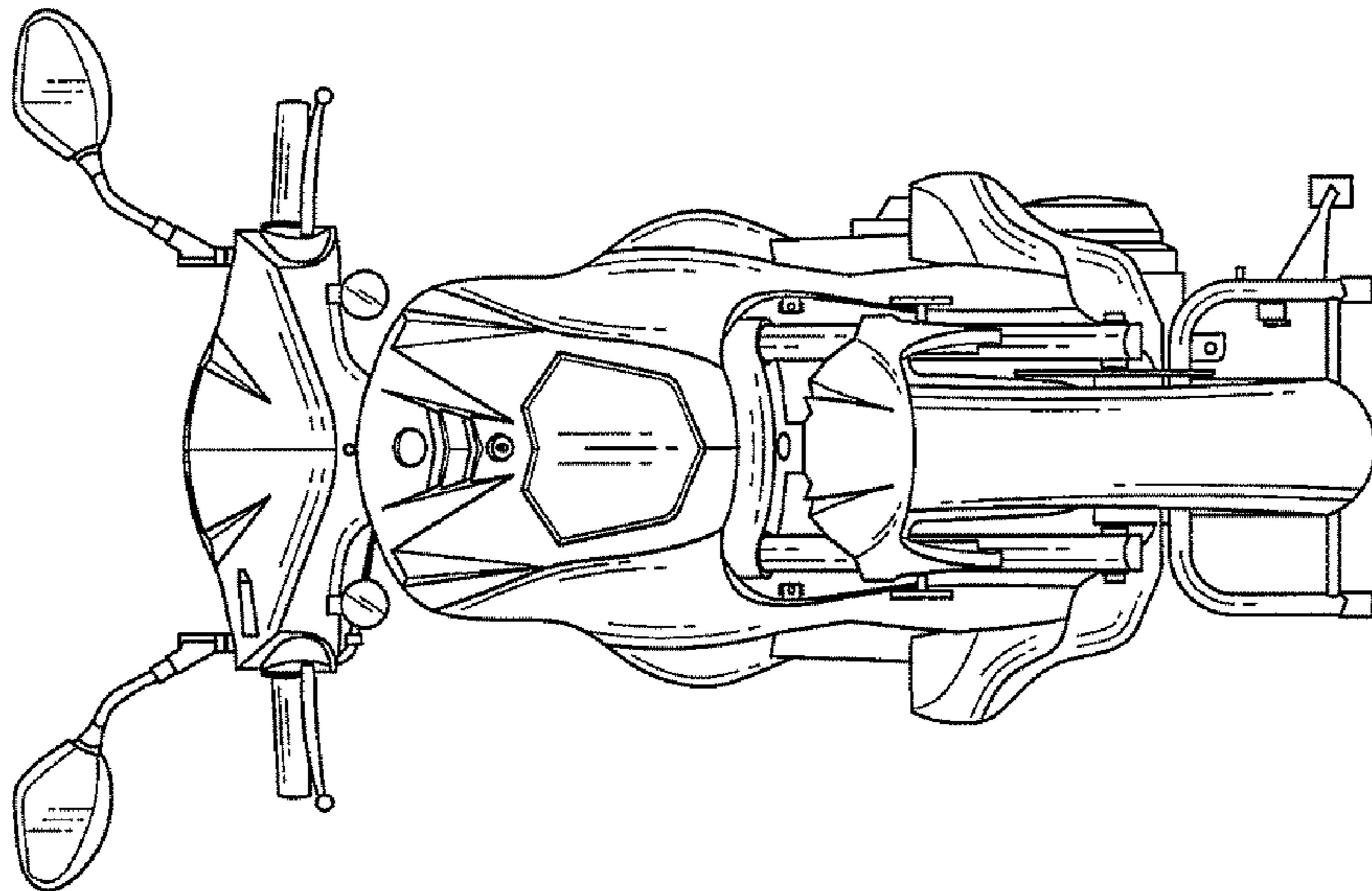


FIG. 2

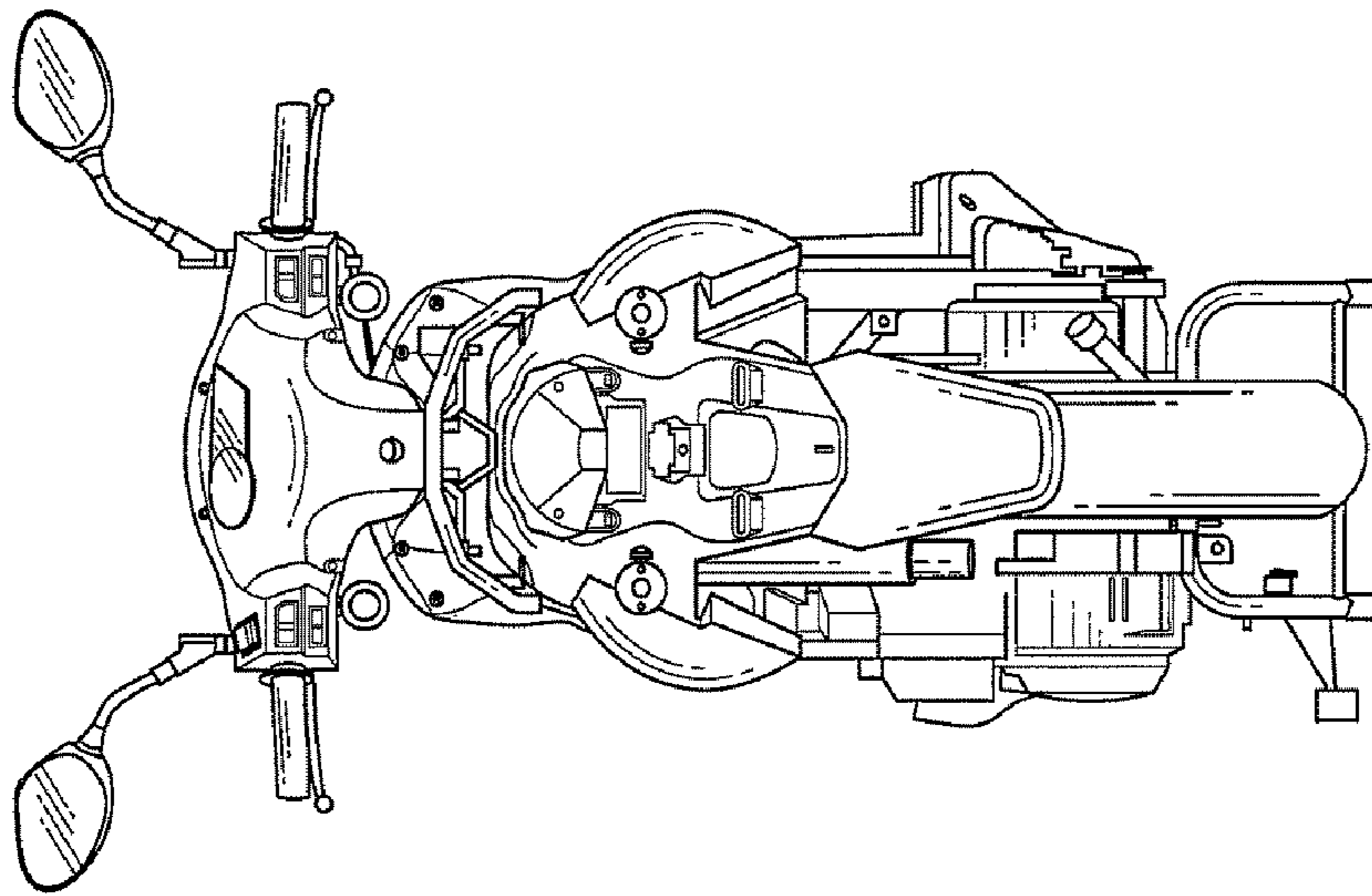


FIG. 3



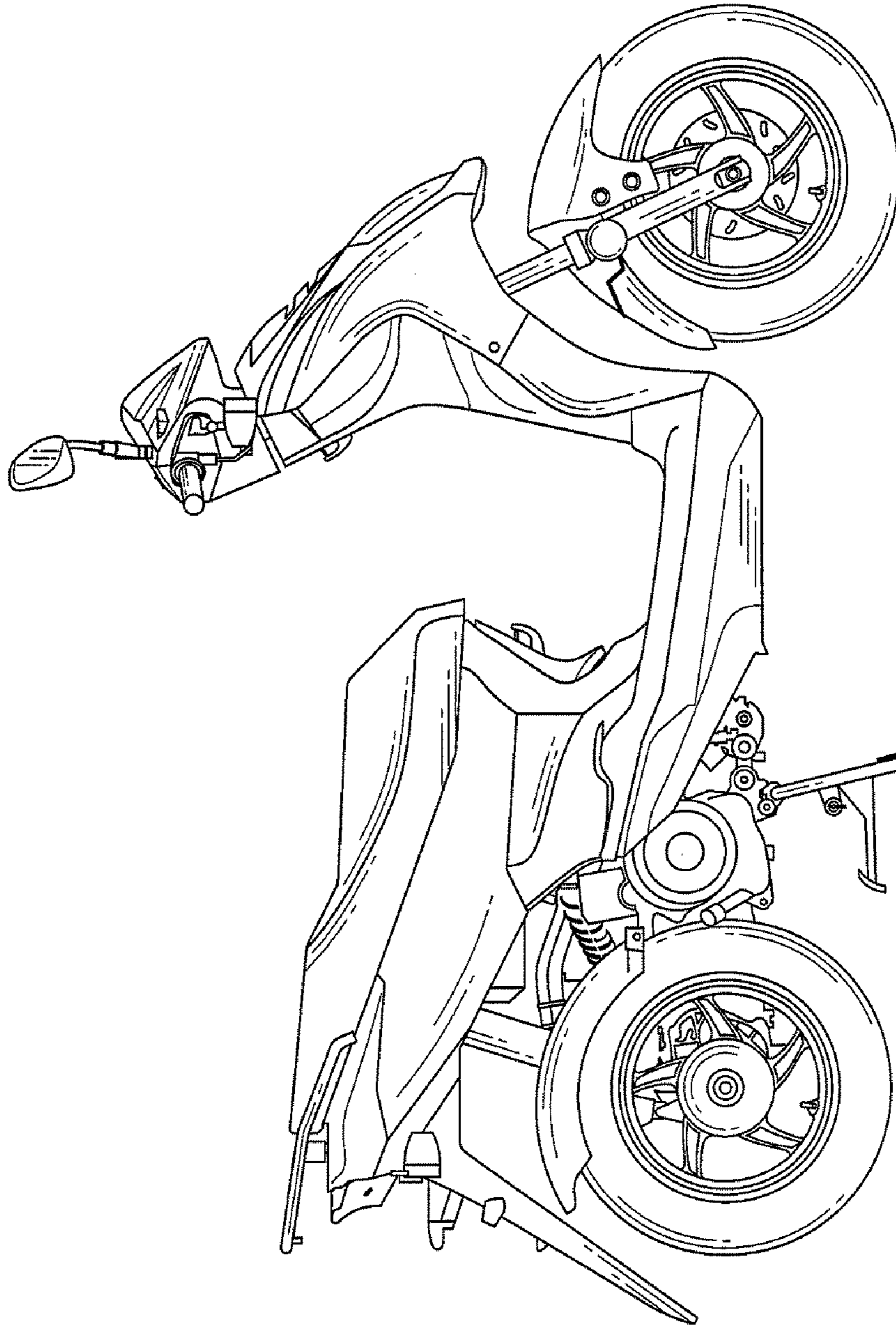


FIG. 4

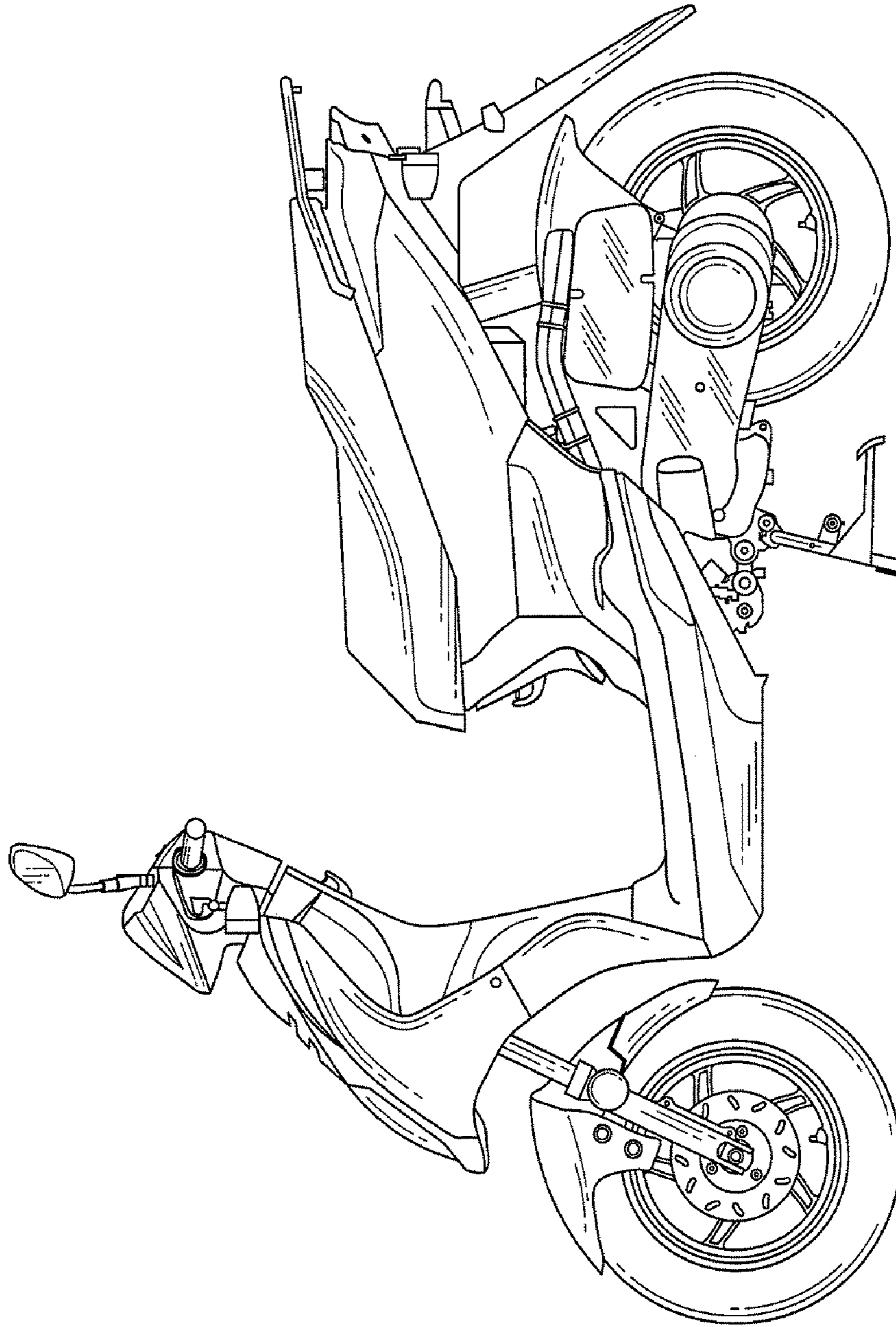


FIG. 5

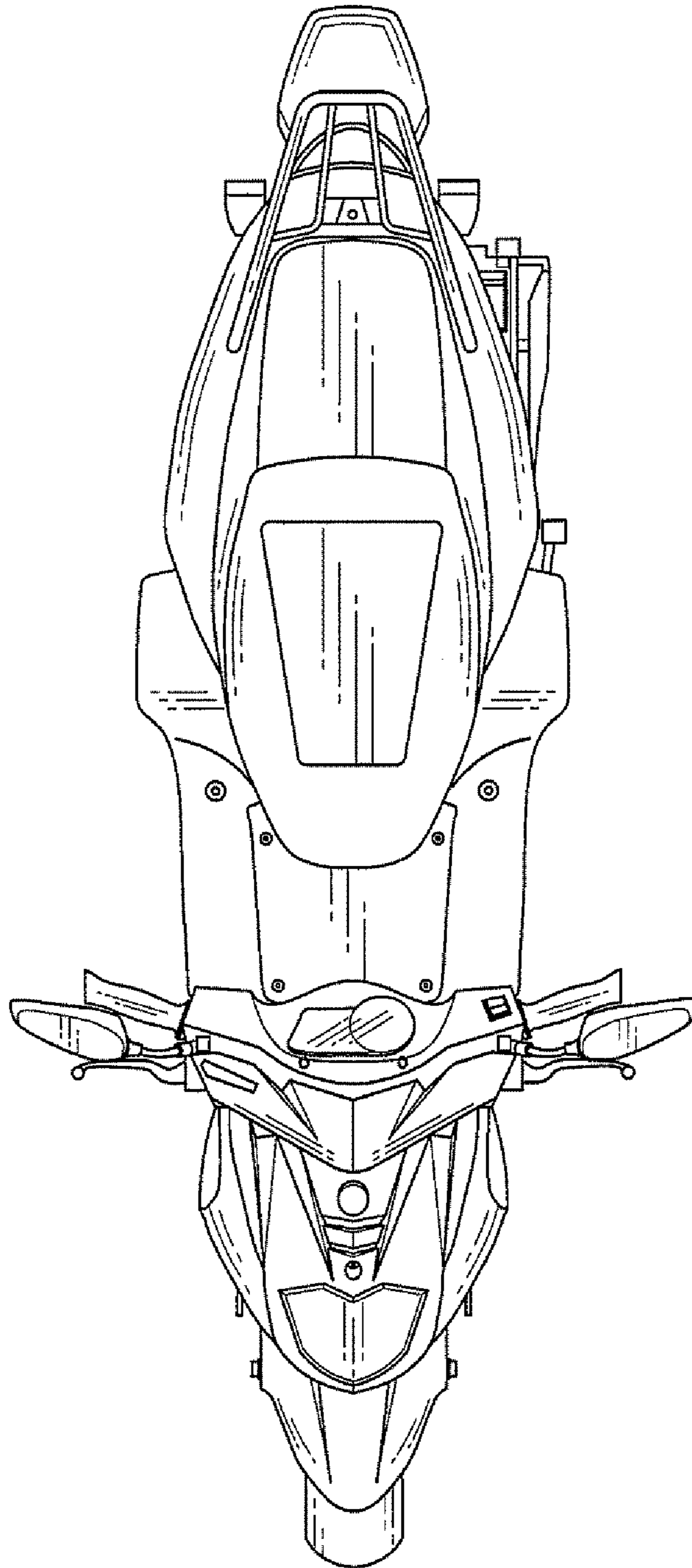


FIG. 6

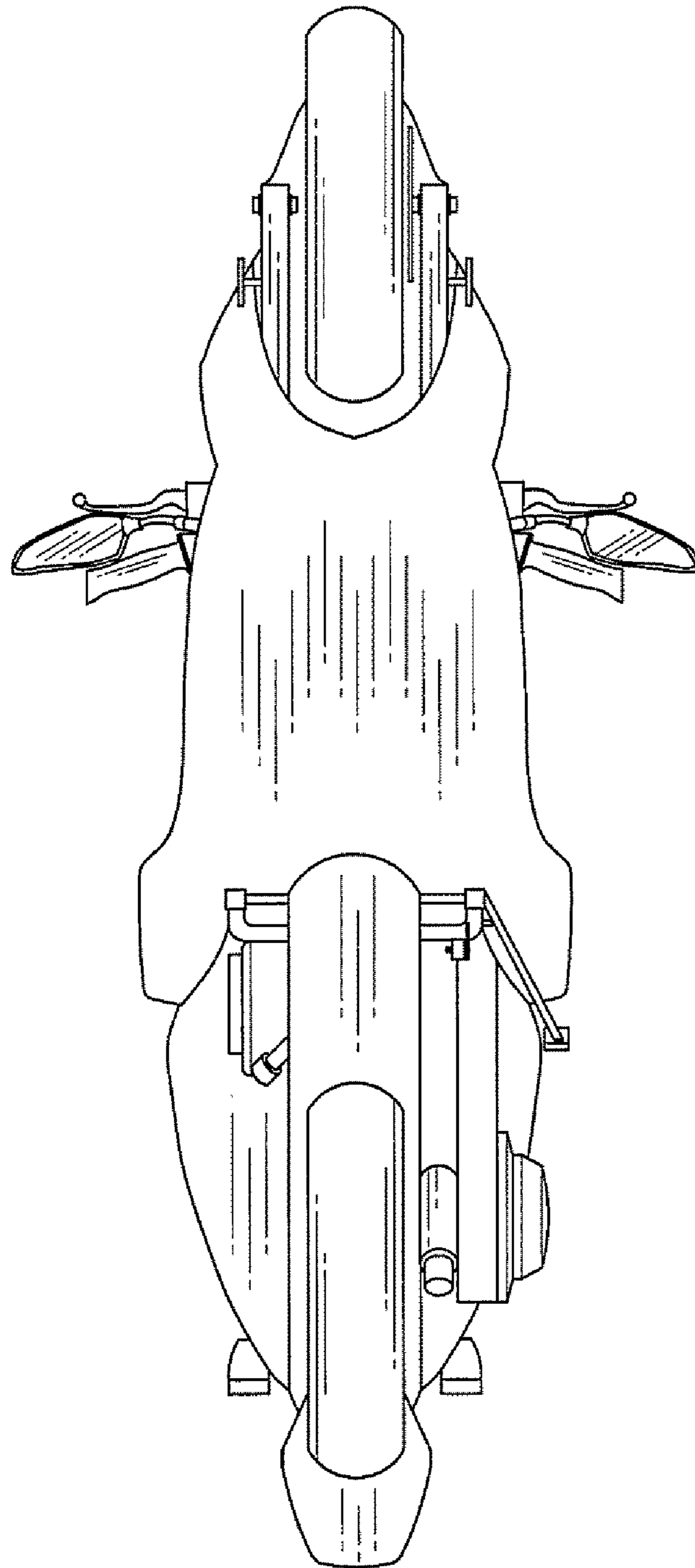


FIG. 7