



US00D563279S

(12) **United States Design Patent**  
**Wang et al.**

(10) **Patent No.:** **US D563,279 S**  
(45) **Date of Patent:** **\*\* Mar. 4, 2008**

- (54) **CAR**
- (75) Inventors: **Chuanfu Wang**, Guangdong (CN);  
**Yubo Lian**, Guangdong (CN)
- (73) Assignee: **BYD Company Limited**, Guangdong (CN)
- (\*\*) Term: **14 Years**
- (21) Appl. No.: **29/278,148**
- (22) Filed: **Mar. 20, 2007**
- (30) **Foreign Application Priority Data**  
Sep. 22, 2006 (CN) ..... 2006 3 0019030
- (51) **LOC (8) Cl.** ..... **12-08**
- (52) **U.S. Cl.** ..... **D12/92**
- (58) **Field of Classification Search** ..... D12/90-92,  
D12/86; 296/181.1, 181.5  
See application file for complete search history.
- (56) **References Cited**  
**U.S. PATENT DOCUMENTS**  
D490,021 S \* 5/2004 Saito et al. .... D12/92

- D512,342 S \* 12/2005 Okazaki et al. .... D12/92
- D547,240 S \* 7/2007 Kulla ..... D12/92
- D547,699 S \* 7/2007 Okazaki et al. .... D12/92
- D551,596 S \* 9/2007 Ishizuka et al. .... D12/92

\* cited by examiner

*Primary Examiner*—Melody N. Brown

(74) *Attorney, Agent, or Firm*—Blakely, Sokoloff, Taylor & Zafman; Stephen M. De Klerk

(57) **CLAIM**

The ornamental design for a car, as shown and described.

**DESCRIPTION**

FIG. 1 is a front view of a car showing our new design;  
FIG. 2 is a rear view thereof;  
FIG. 3 is a right view thereof;  
FIG. 4 is a top view thereof;  
FIG. 5 is a perspective front view thereof; and,  
FIG. 6 is a perspective rear view thereof.

**1 Claim, 3 Drawing Sheets**





Fig. 1

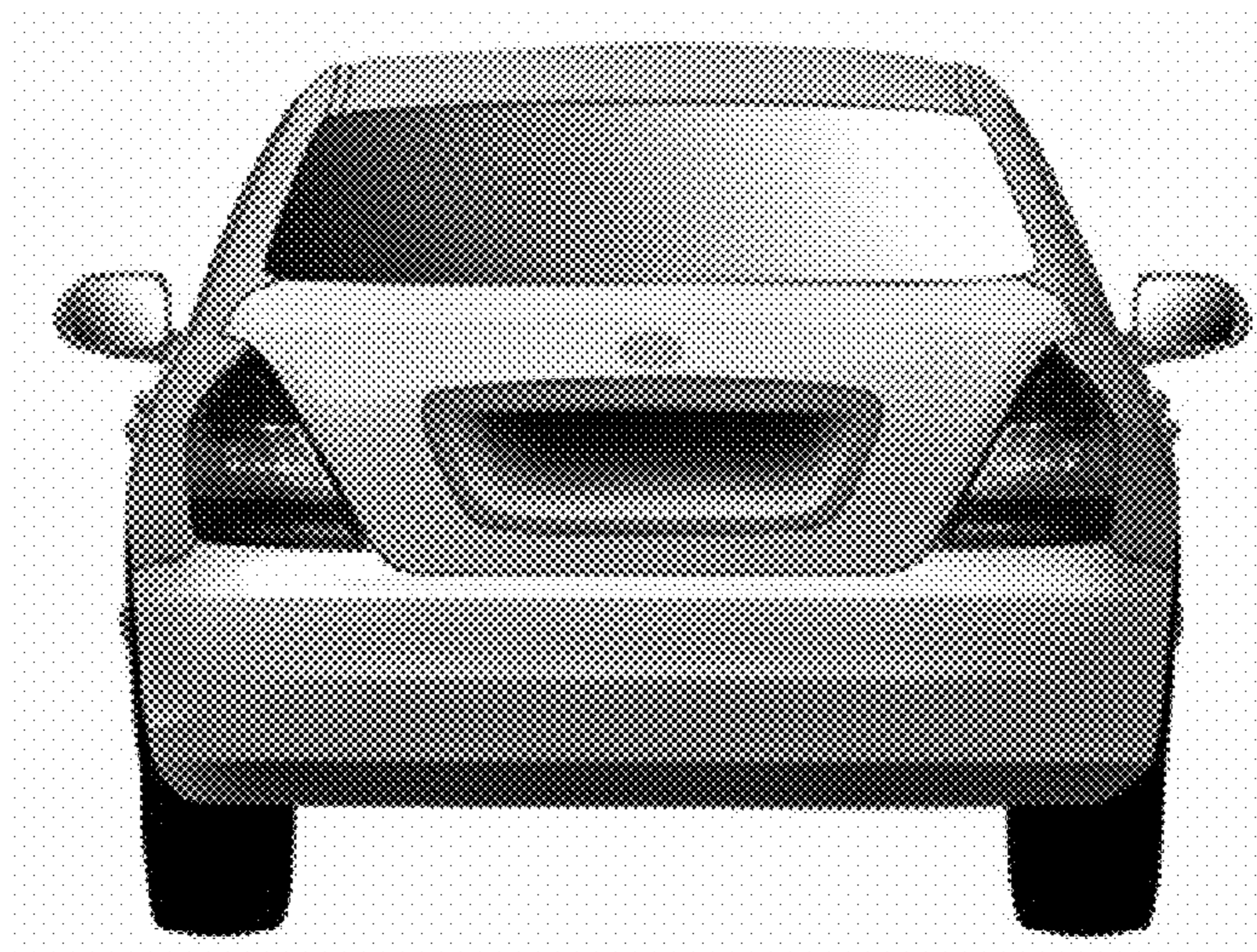


Fig. 2

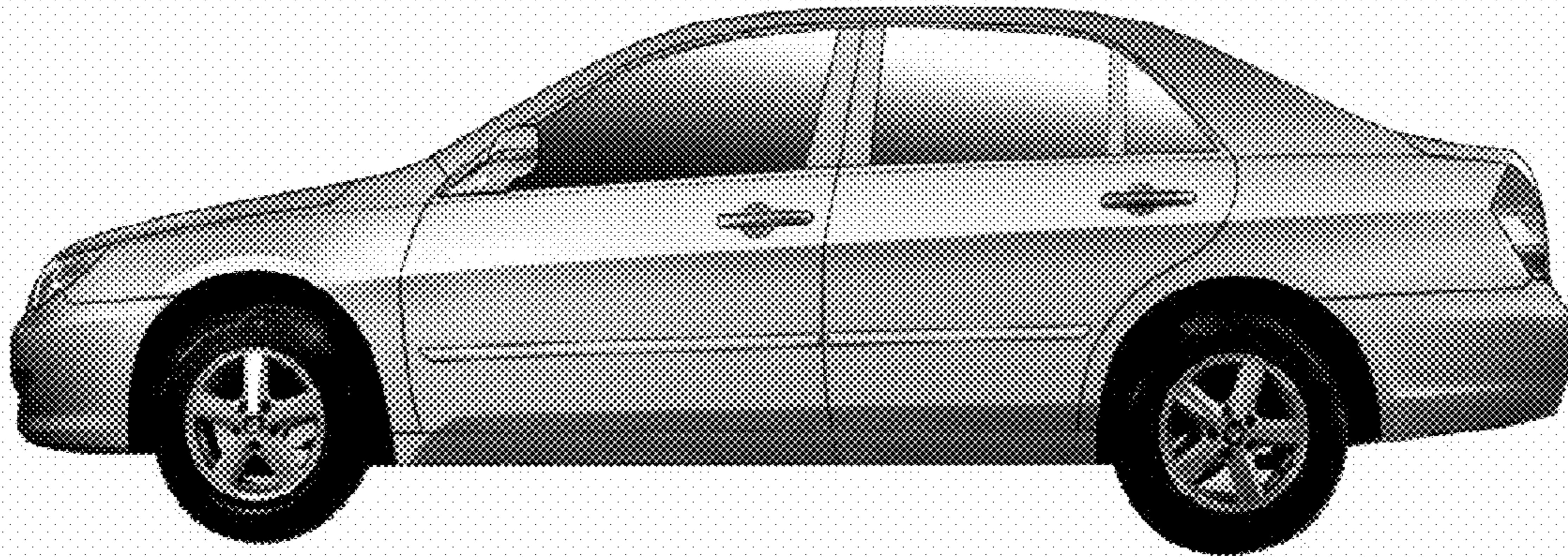


Fig. 3

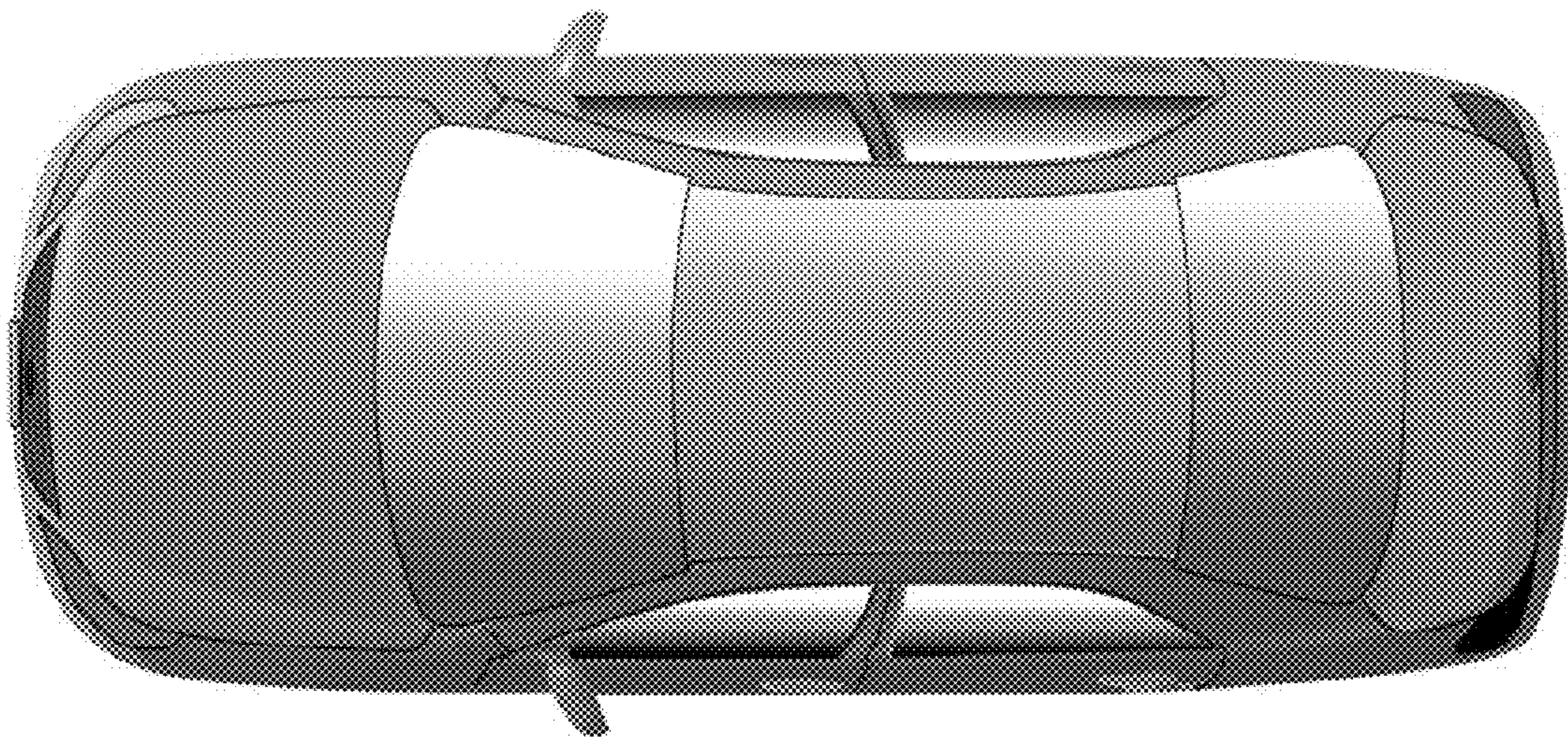


Fig. 4



Fig. 5

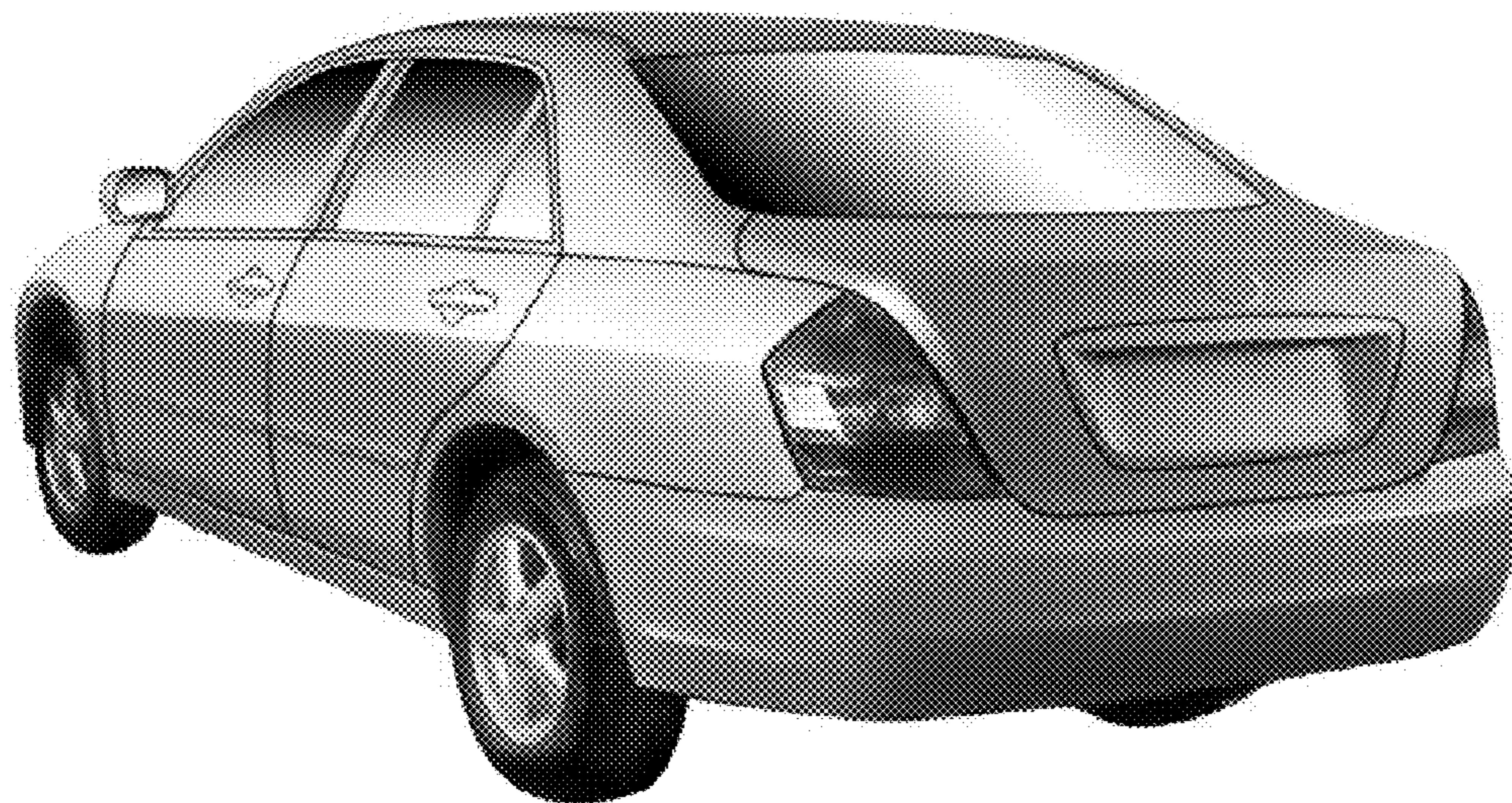


Fig. 6