

US00D563274S

(12) **United States Design Patent**  
**Ramos**

(10) **Patent No.:** **US D563,274 S**  
(45) **Date of Patent:** **\*\* Mar. 4, 2008**

(54) **ALL TERRAIN VEHICLE**

(75) Inventor: **Ramiro Tvarez Ramos**, Ft. Stockton, TX (US)

(73) Assignee: **Terra Cat, Inc.**, Fort Stockton, TX (US)

(\*\*) Term: **14 Years**

(21) Appl. No.: **29/256,896**

(22) Filed: **Mar. 27, 2006**

(51) **LOC (8) Cl.** ..... **12-08**

(52) **U.S. Cl.** ..... **D12/87**

(58) **Field of Classification Search** ..... D12/86,  
D12/87, 90-92; D21/424, 433, 434; 296/181.1,  
296/181.5

See application file for complete search history.

(56) **References Cited**

**U.S. PATENT DOCUMENTS**

4,217,970	A *	8/1980	Chika	.....	180/298
D299,705	S *	2/1989	Carpanelli et al.	.....	D12/88
D301,849	S *	6/1989	Oba et al.	.....	D12/87
D312,989	S *	12/1990	Murata et al.	.....	D12/87
D327,237	S *	6/1992	Miyamoto et al.	.....	D12/87
D432,186	S *	10/2000	Kuo	.....	D21/433
D500,707	S *	1/2005	Lu	.....	D12/87
D503,658	S *	4/2005	Lu	.....	D12/87
D513,395	S *	1/2006	Pizzuti et al.	.....	D12/91
D535,215	S *	1/2007	Turner et al.	.....	D12/87
D549,133	S *	8/2007	LePage et al.	.....	D12/87

\* cited by examiner

*Primary Examiner*—Sandra Snapp

(74) *Attorney, Agent, or Firm*—Vincent J. Allen; Carstens & Cahoon, LLP

(57) **CLAIM**

The ornamental design for the all terrain vehicle, as shown and described.

**DESCRIPTION**

FIG. 1 is a perspective view of the all terrain vehicle of the present invention;

FIG. 2 is a front elevation view of the all terrain vehicle of the present invention;

FIG. 3 is a left side elevation view of the all terrain vehicle of the present invention;

FIG. 4 is a right side elevation view of the all terrain vehicle of the present invention;

FIG. 5 is a rear elevation view of the all terrain vehicle of the present invention;

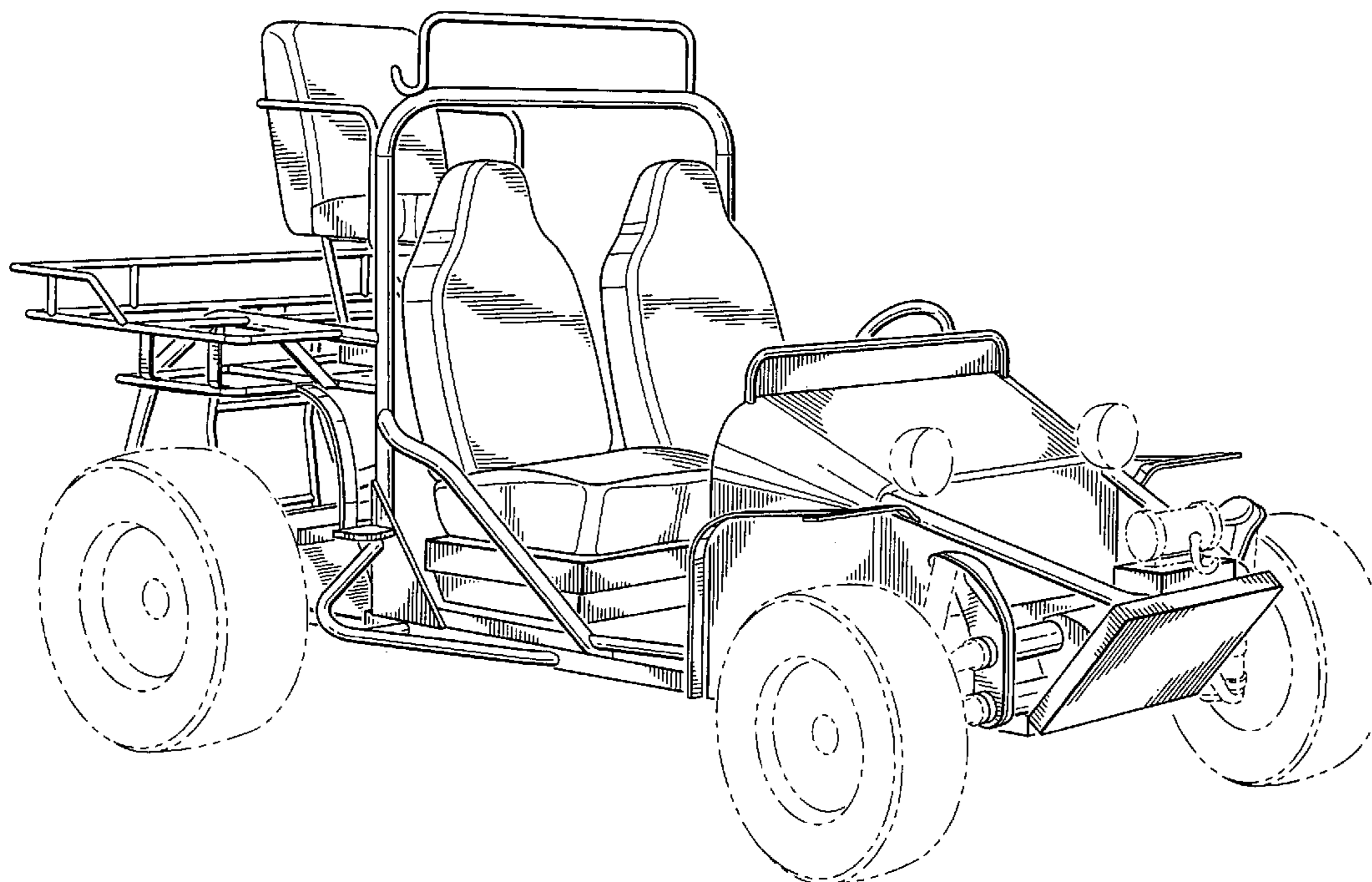
FIG. 6 is a top plan view of the all terrain vehicle of the present invention;

FIG. 7 is a bottom plan view of the all terrain vehicle of the present invention; and,

FIG. 8 is a perspective view of an alternative embodiment of the all terrain vehicle of the present invention.

The various components shown in broken line illustrations are shown in broken lines for illustrative purposes only and form no part of the claimed design.

**1 Claim, 7 Drawing Sheets**



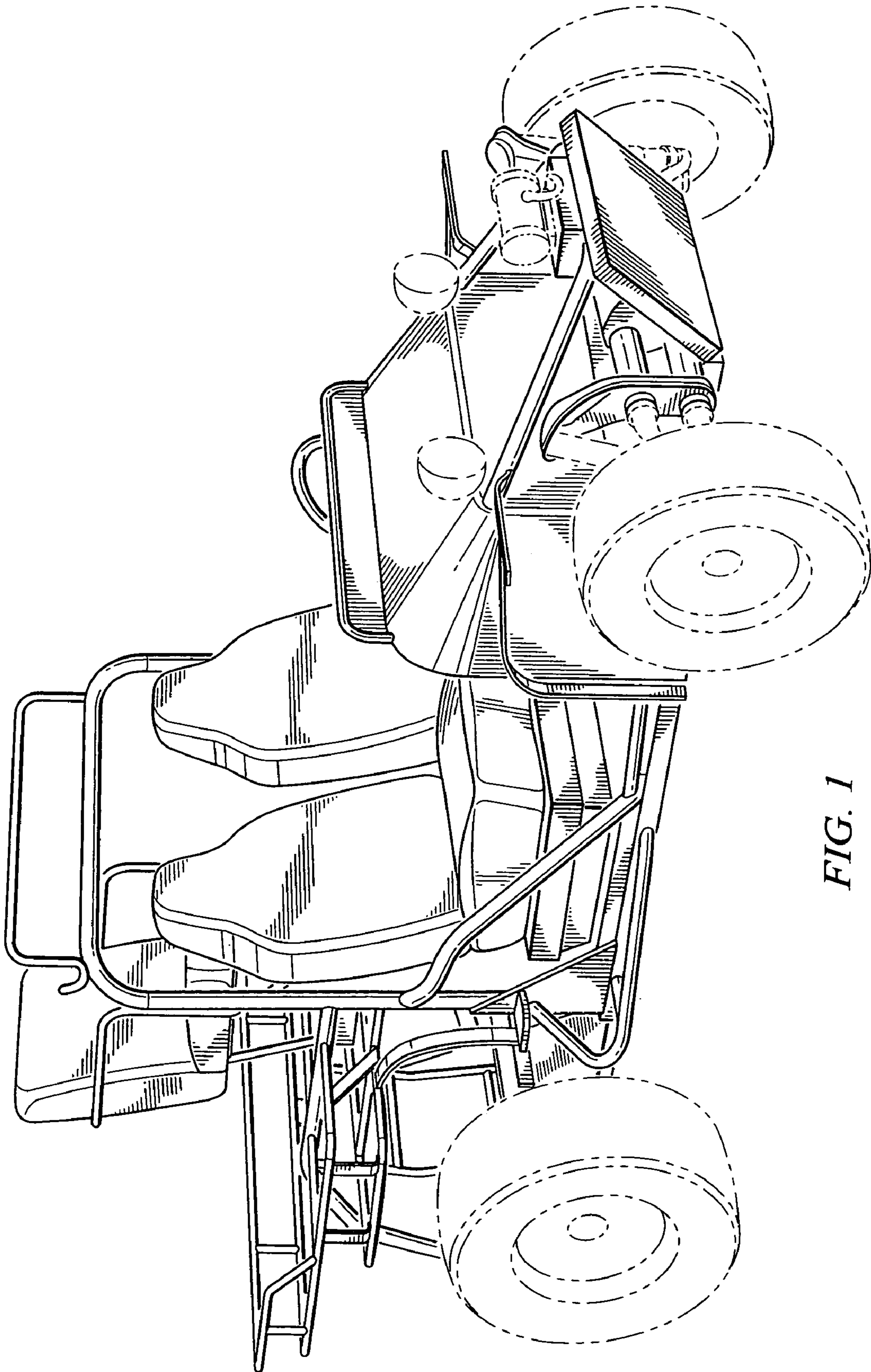
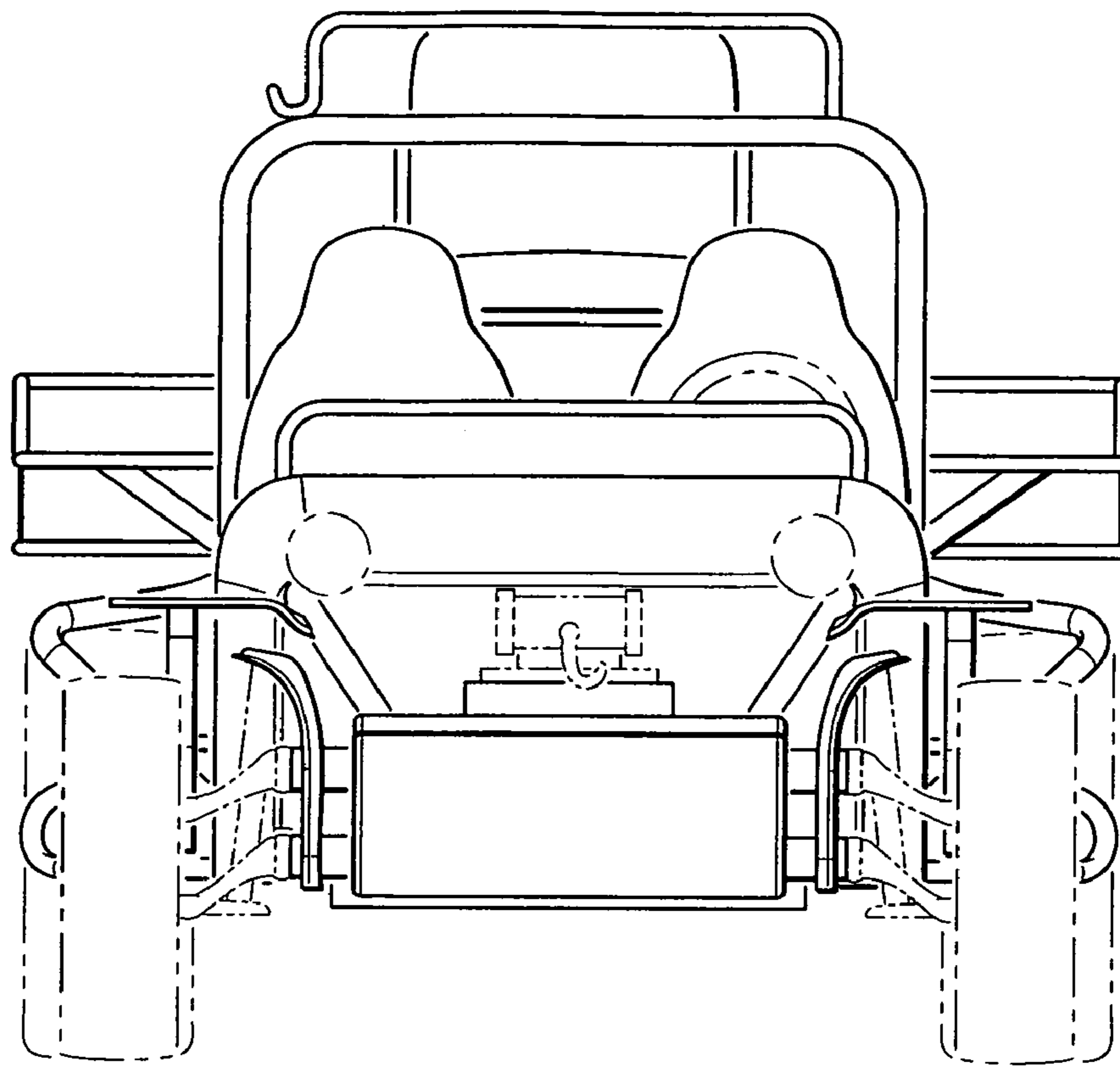
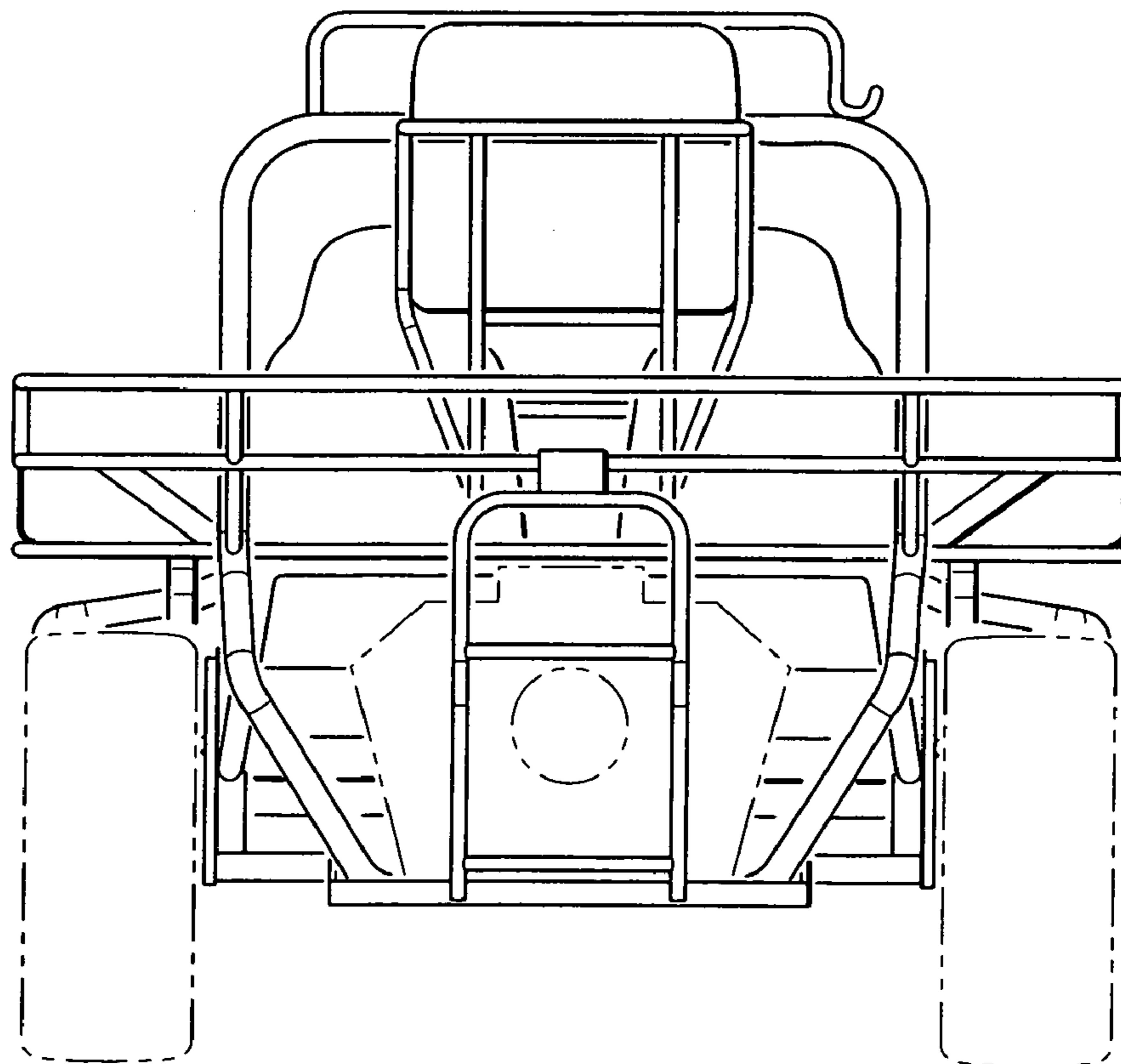


FIG. 1

*FIG. 2*



*FIG. 5*



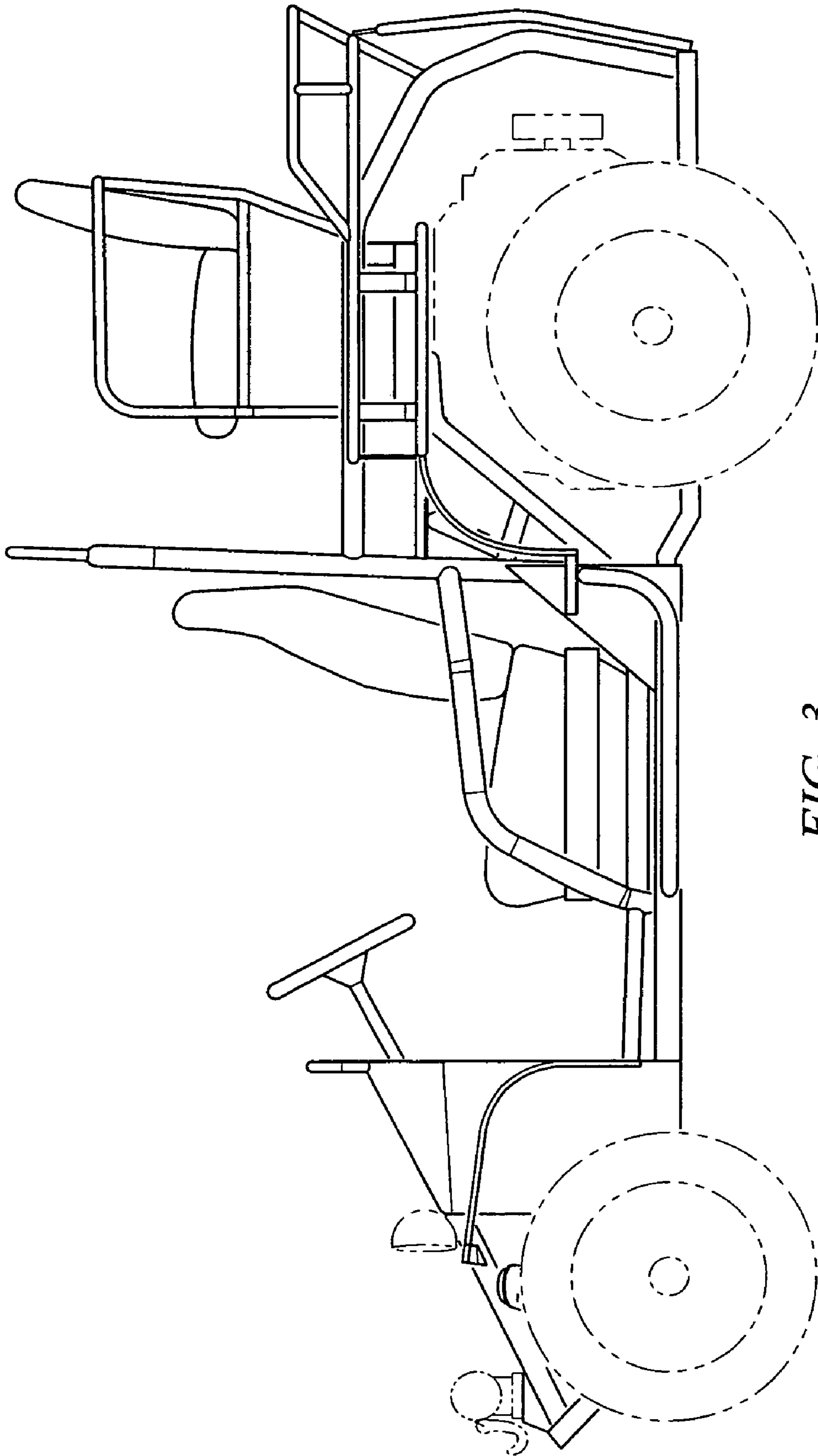


FIG. 3

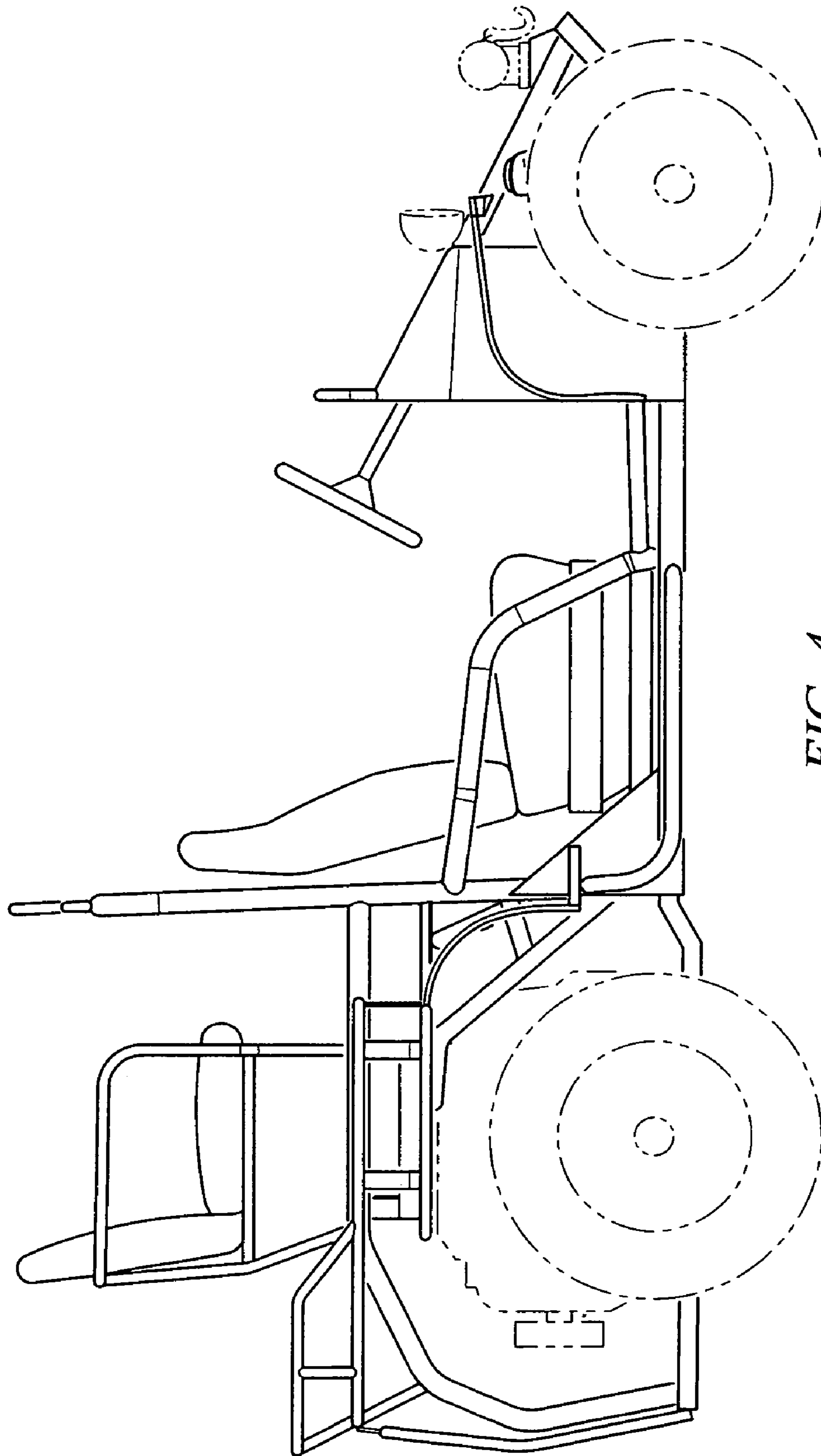


FIG. 4

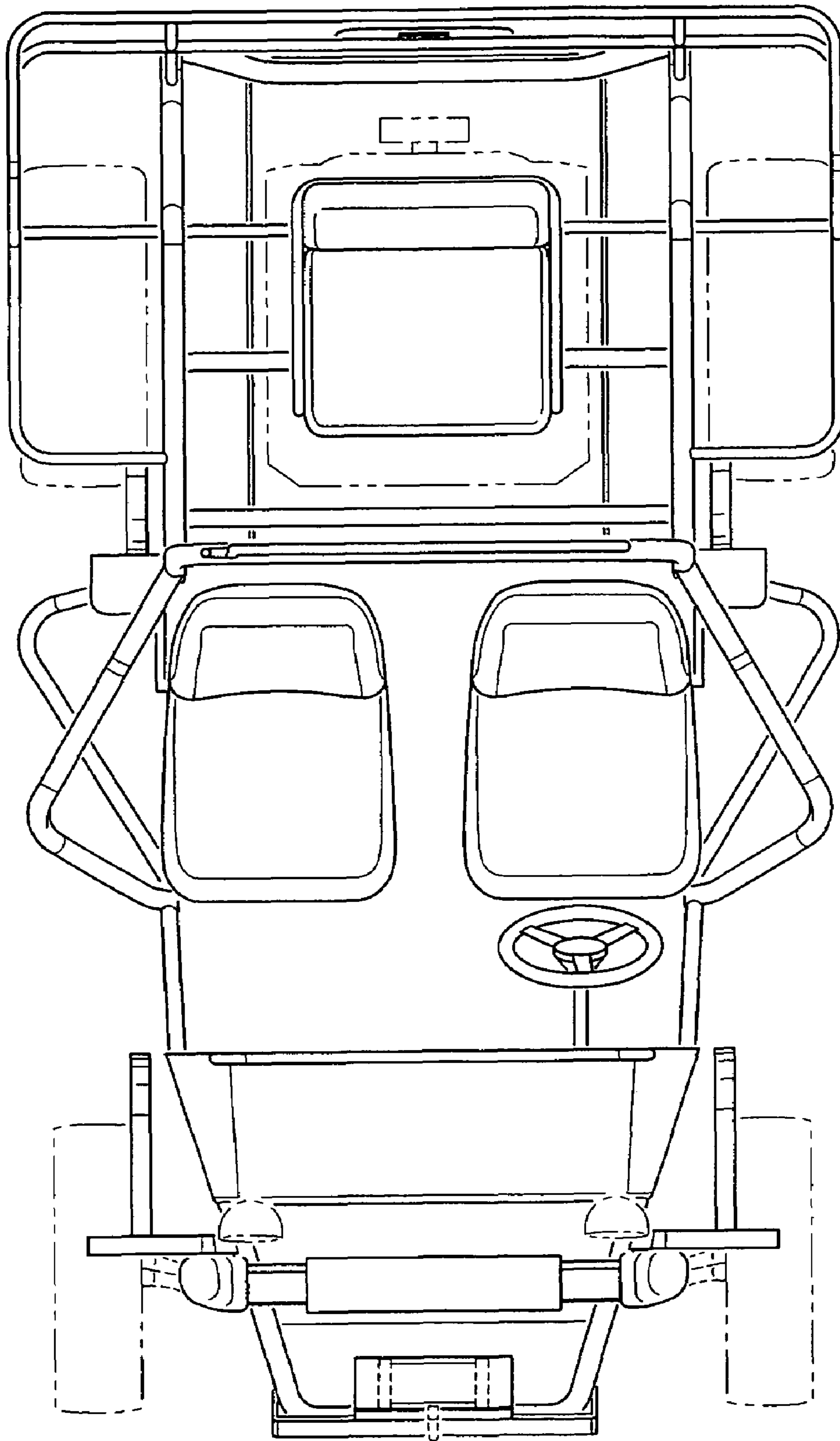


FIG. 6

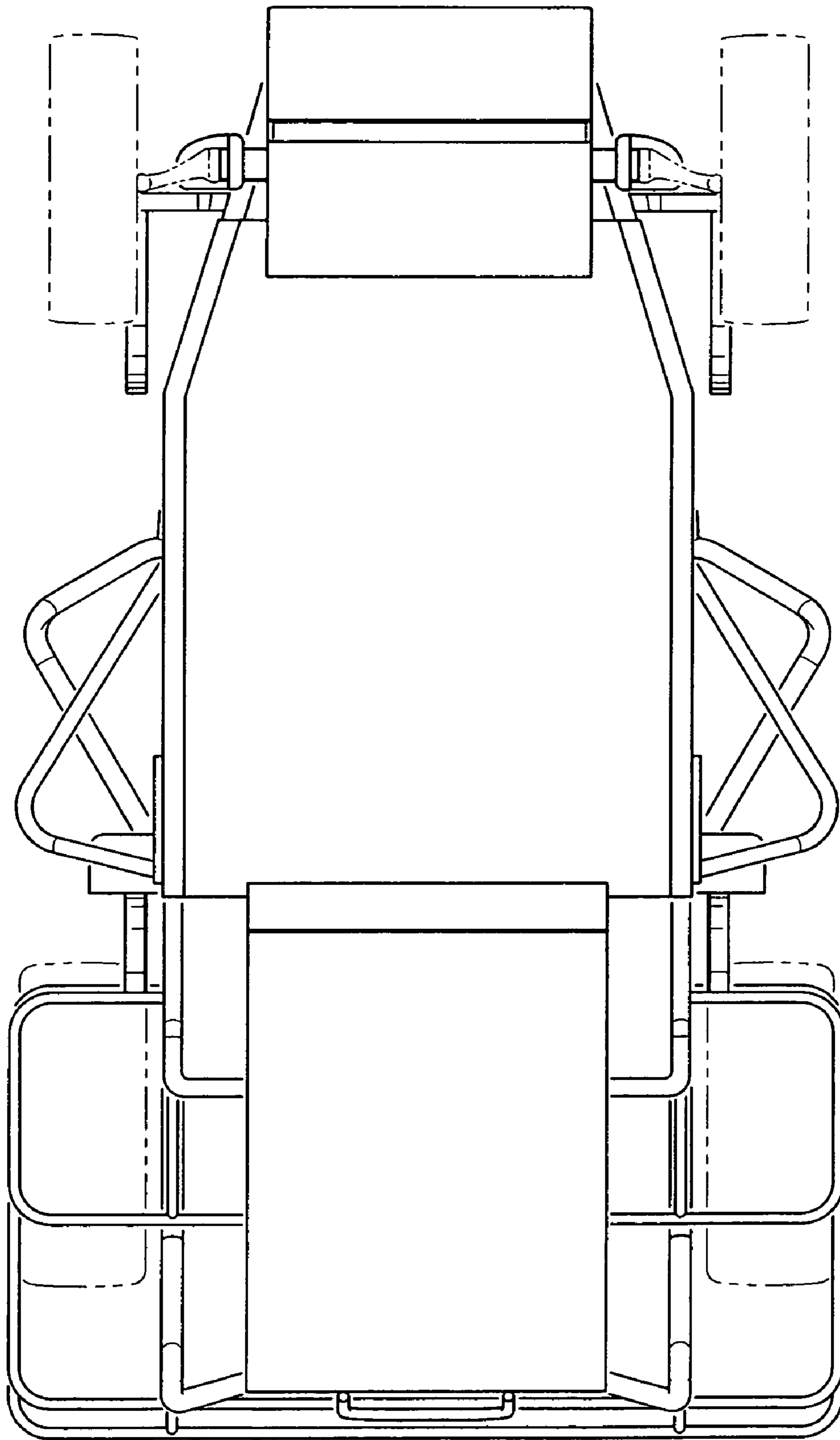


FIG. 7

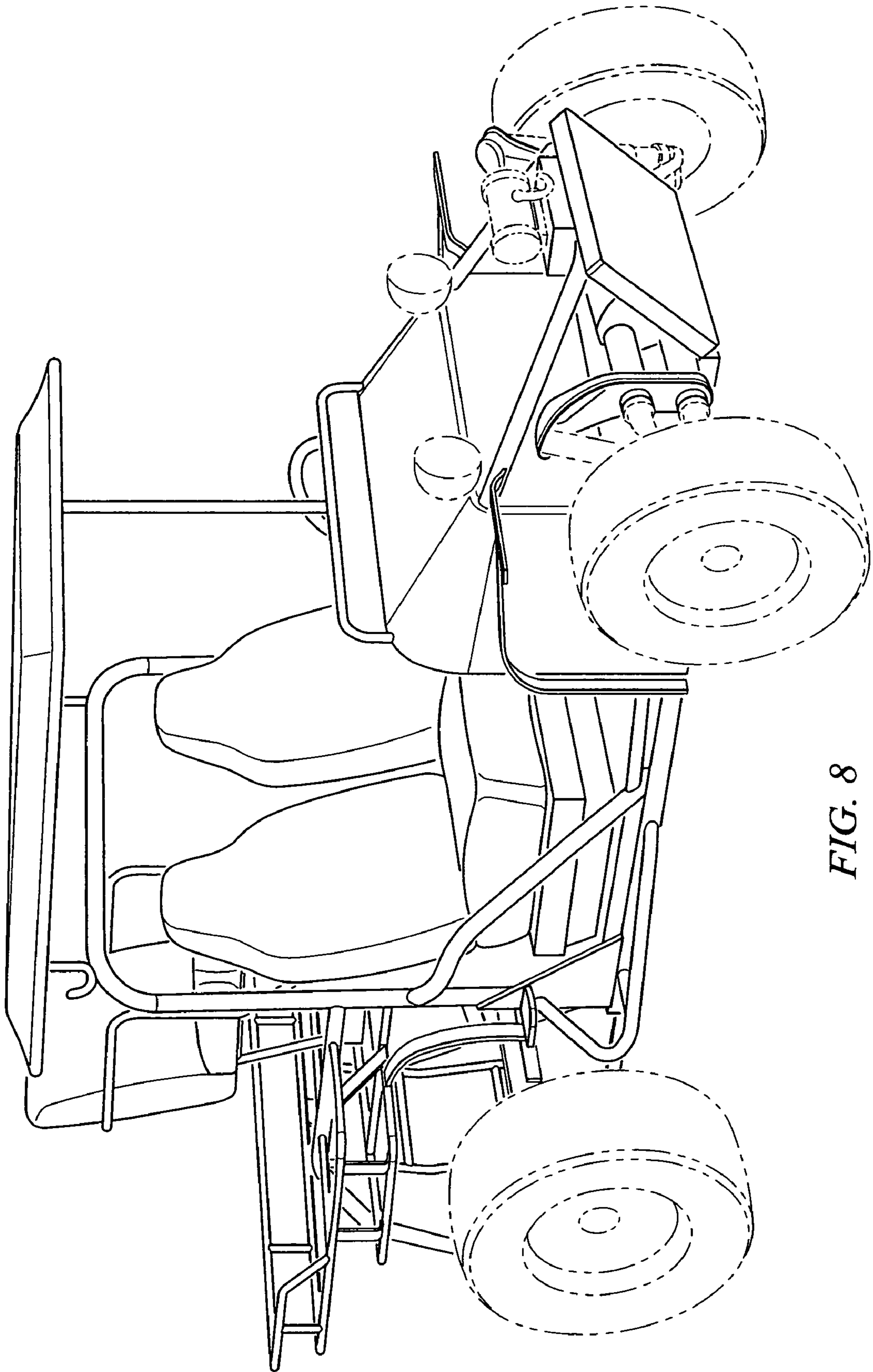


FIG. 8