

US00D563272S

(12) **United States Design Patent**
Hammick et al.

(10) **Patent No.:** **US D563,272 S**
(45) **Date of Patent:** **** Mar. 4, 2008**

(54) **ARMORED VEHICLE OR TOY REPLICA THEREOF**

(75) Inventors: **Murray P. Hammick**, Mt. Pleasant, SC (US); **Derek K. Parker**, Charleston, SC (US); **Robert D. Worley**, Summerville, SC (US); **Michael L. Hewitt**, Mount Pleasant, SC (US); **Michael A. Mengelkamp**, Dover, PA (US); **Brian K. Harrison**, Spring Grove, PA (US)

4,242,951 A *	1/1981	Bemiss	454/146
D270,526 S *	9/1983	Legueu	D12/12
4,892,345 A *	1/1990	Rachael, III	296/24.37
D323,305 S *	1/1992	Smith	D12/12
6,302,010 B1 *	10/2001	Holler	89/36.08
D465,435 S *	11/2002	Legueu	D12/12
D484,438 S *	12/2003	Knoth et al.	D12/12
D548,646 S *	8/2007	Green et al.	D12/12
D548,647 S *	8/2007	Green et al.	D12/12
D548,648 S *	8/2007	Hammick	D12/12

(73) Assignee: **Force Protection Industries, Inc.**, Ladson, SC (US)

(**) Term: **14 Years**

(21) Appl. No.: **29/274,241**

(22) Filed: **Apr. 9, 2007**

Related U.S. Application Data

(63) Continuation-in-part of application No. 29/253,830, filed on Feb. 14, 2006, now Pat. No. Des. 552,507, and a continuation-in-part of application No. 29/253,831, filed on Feb. 14, 2006, now Pat. No. Des. 548,648.

(51) **LOC (8) Cl.** **12-13**

(52) **U.S. Cl.** **D12/12**

(58) **Field of Classification Search** D12/1, D12/12, 14, 15; 89/36.08, 36.09, 40.03, 89/1.13; D21/539, 556, 557, 559, 562; 180/89.1, 180/89.12, 232, 242, 449; D15/23, 24, 25, D15/28, 33, 199

See application file for complete search history.

(56) **References Cited**

U.S. PATENT DOCUMENTS

2,382,862 A * 8/1945 Davis, Jr. 89/36.08

* cited by examiner

Primary Examiner—Robert M. Spear

Assistant Examiner—Anna K Dworzecka

(74) *Attorney, Agent, or Firm*—Finnegan, Henderson, Farabow, Garrett & Dunner, L.L.P.

(57) **CLAIM**

The ornamental design for an armored vehicle or toy replica thereof, as shown and described.

DESCRIPTION

FIG. 1 is a right, front perspective view of an armored vehicle or toy replica thereof showing our new design;

FIG. 2 is a right, side view thereof;

FIG. 3 is a left, side thereof;

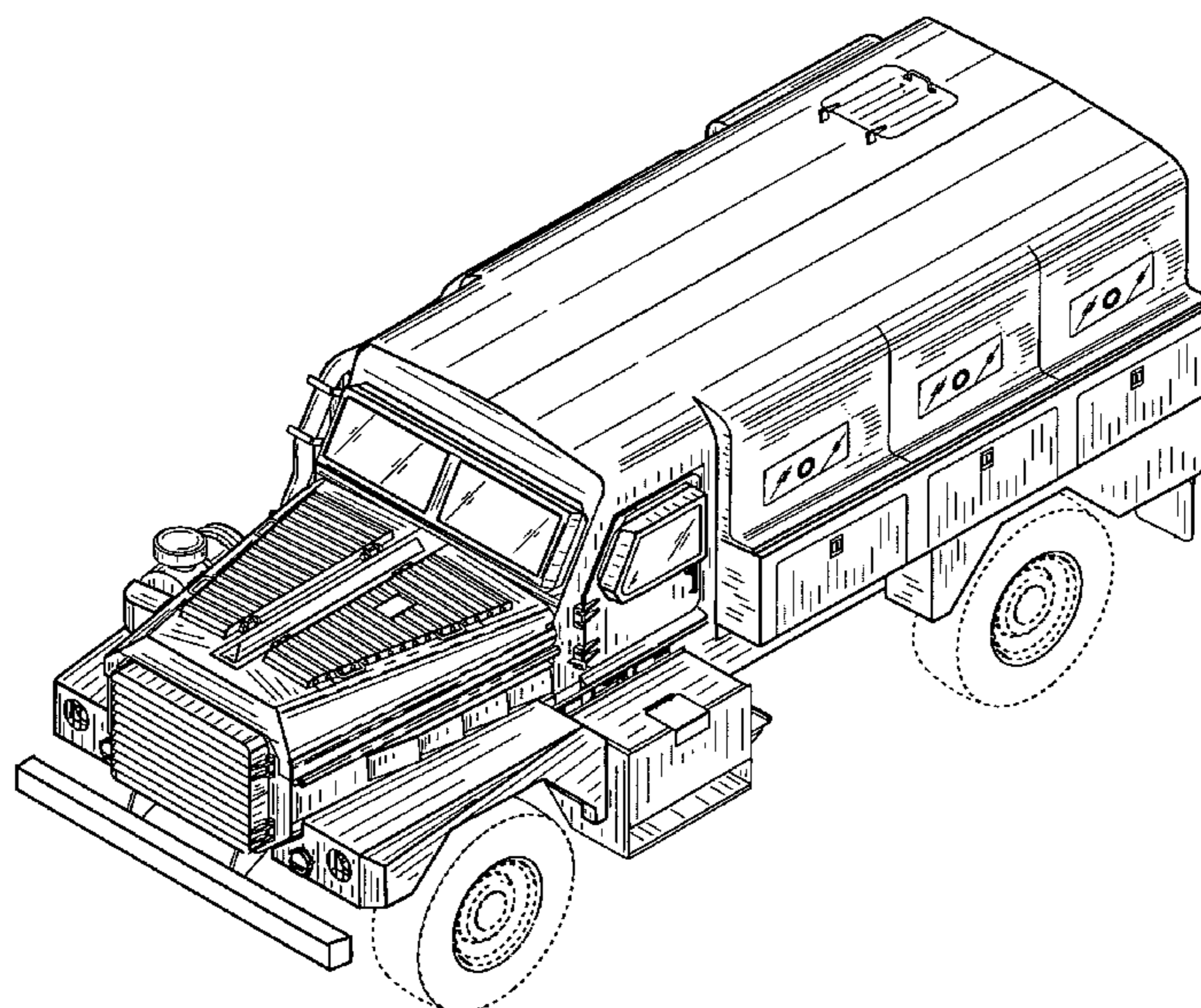
FIG. 4 is a front view thereof;

FIG. 5 is a rear view thereof; and,

FIG. 6 is a top plan view thereof.

The broken line showing of tires illustrates environment only and forms no part of the claimed design.

1 Claim, 5 Drawing Sheets



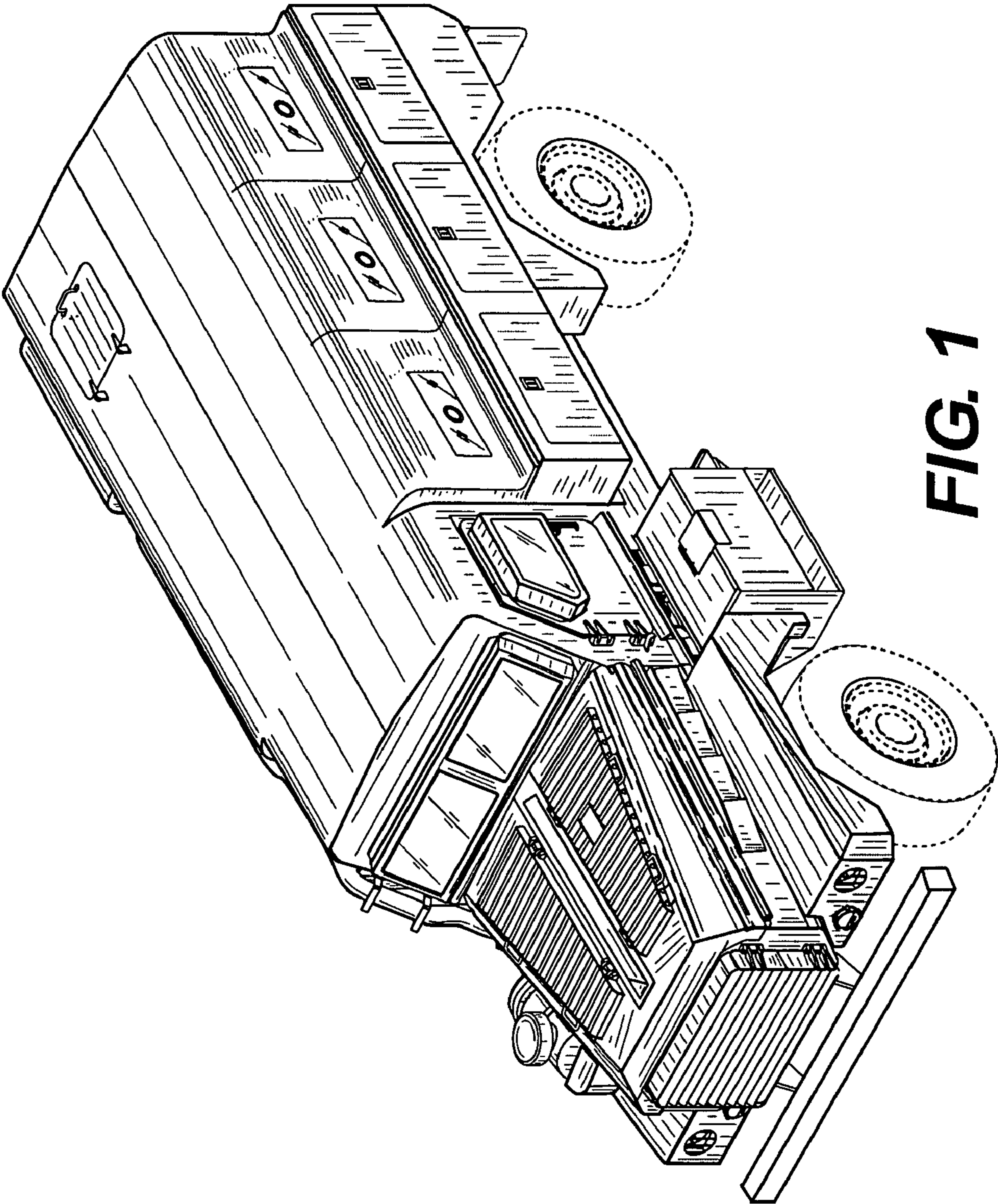


FIG. 1

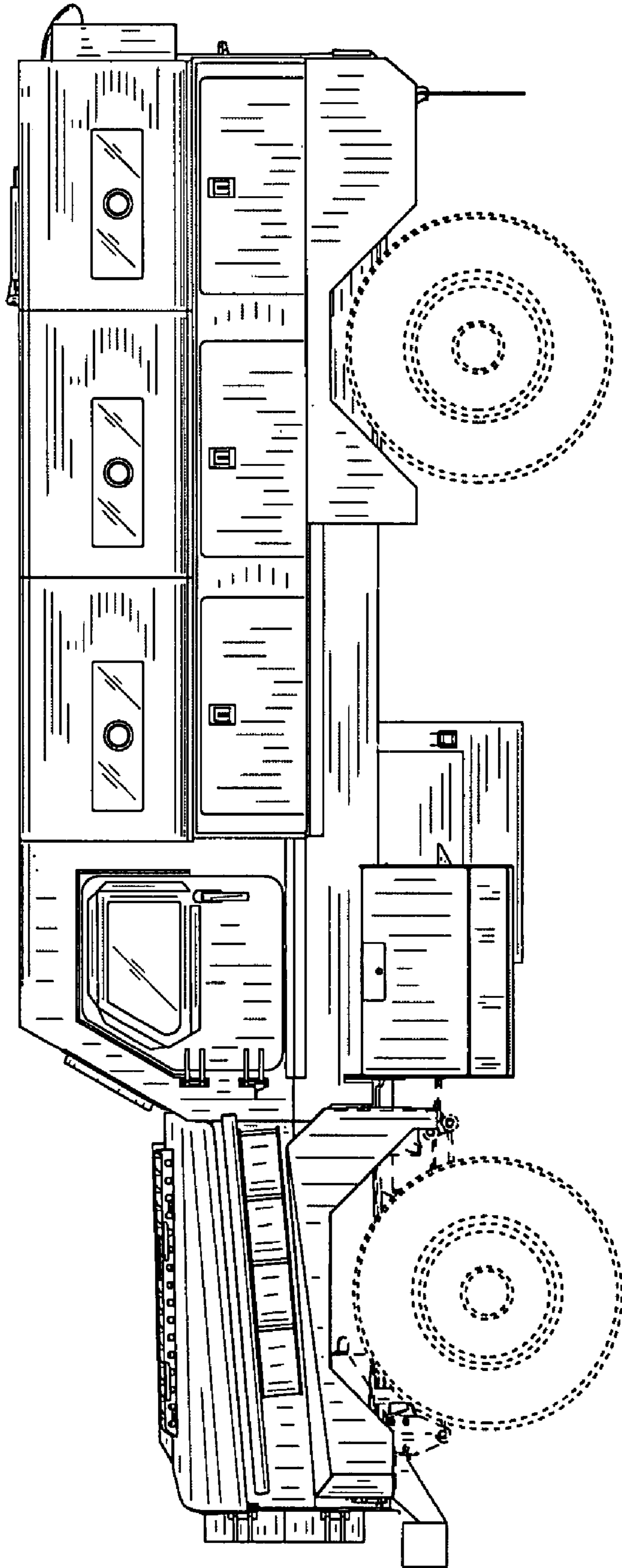


FIG. 2

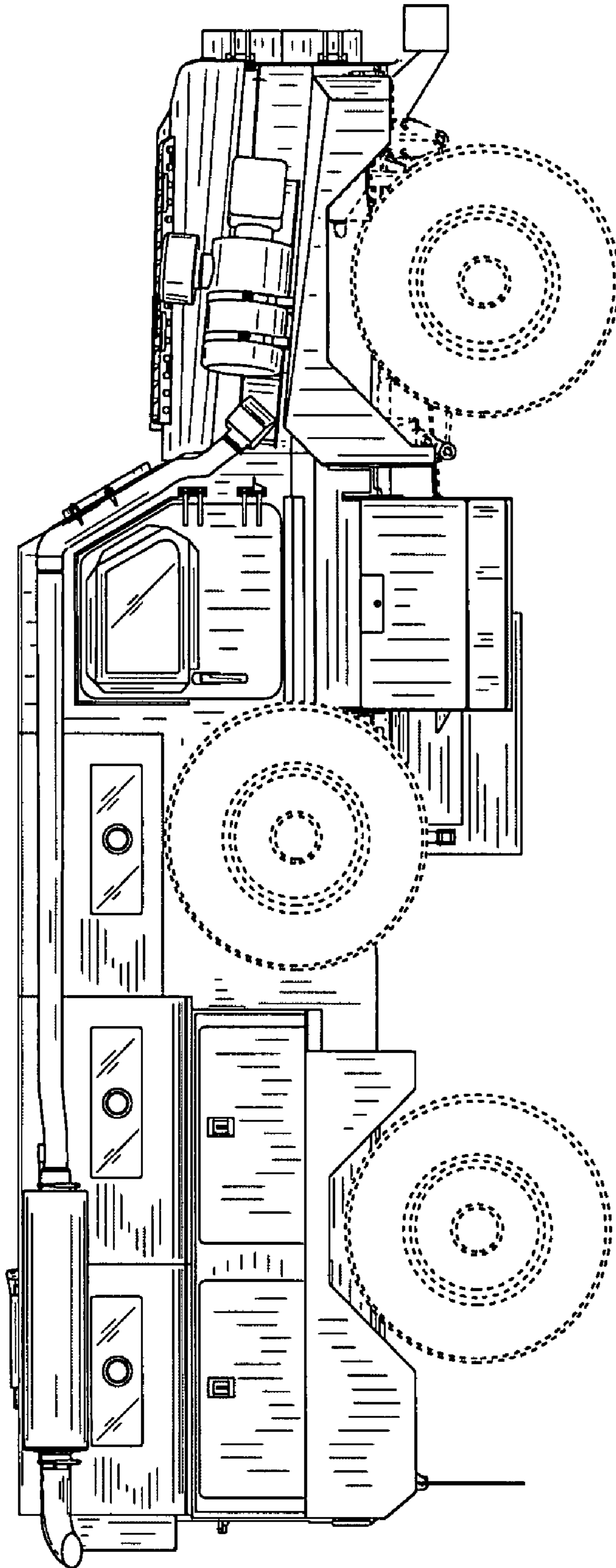


FIG. 3

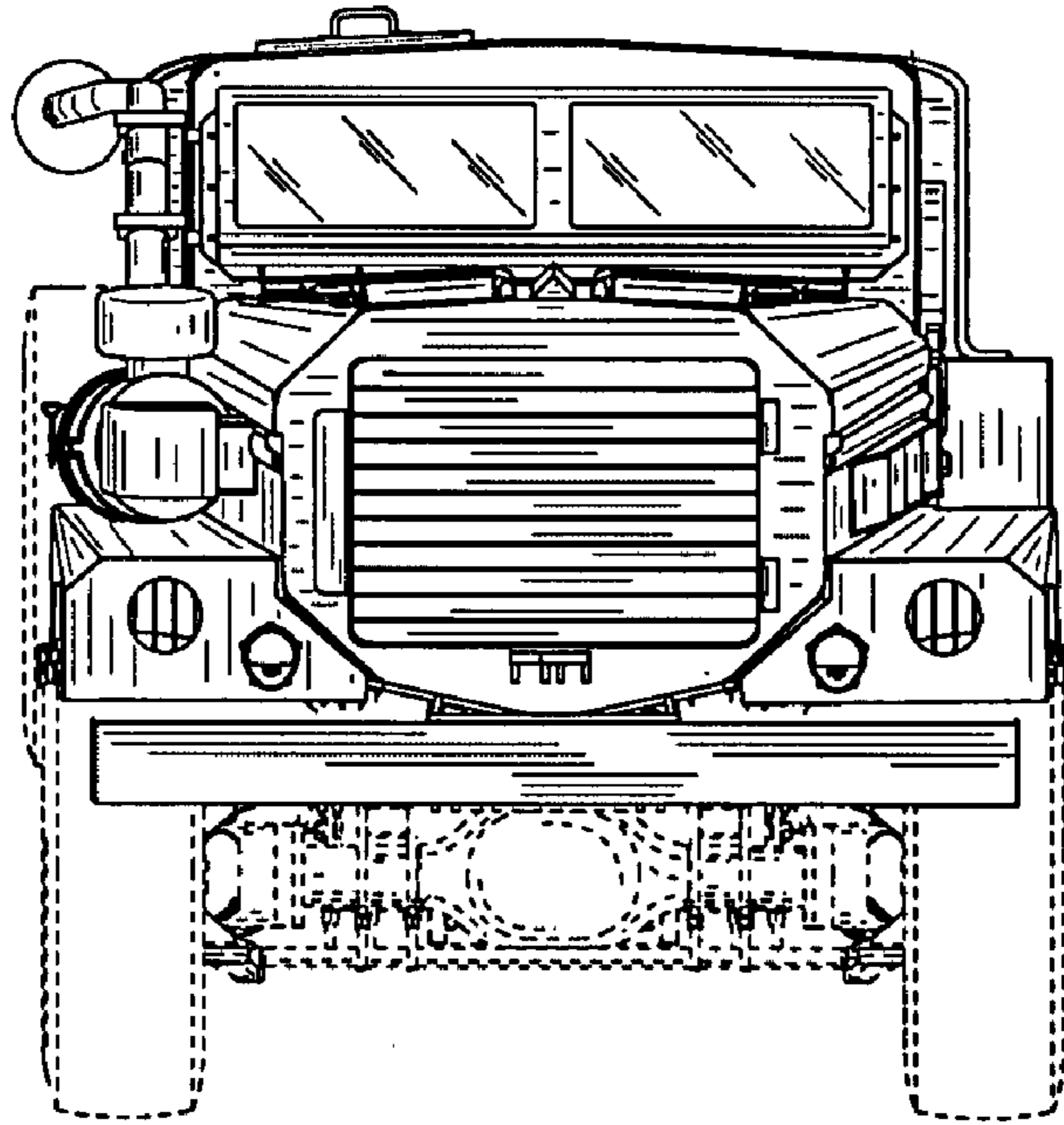


FIG. 4

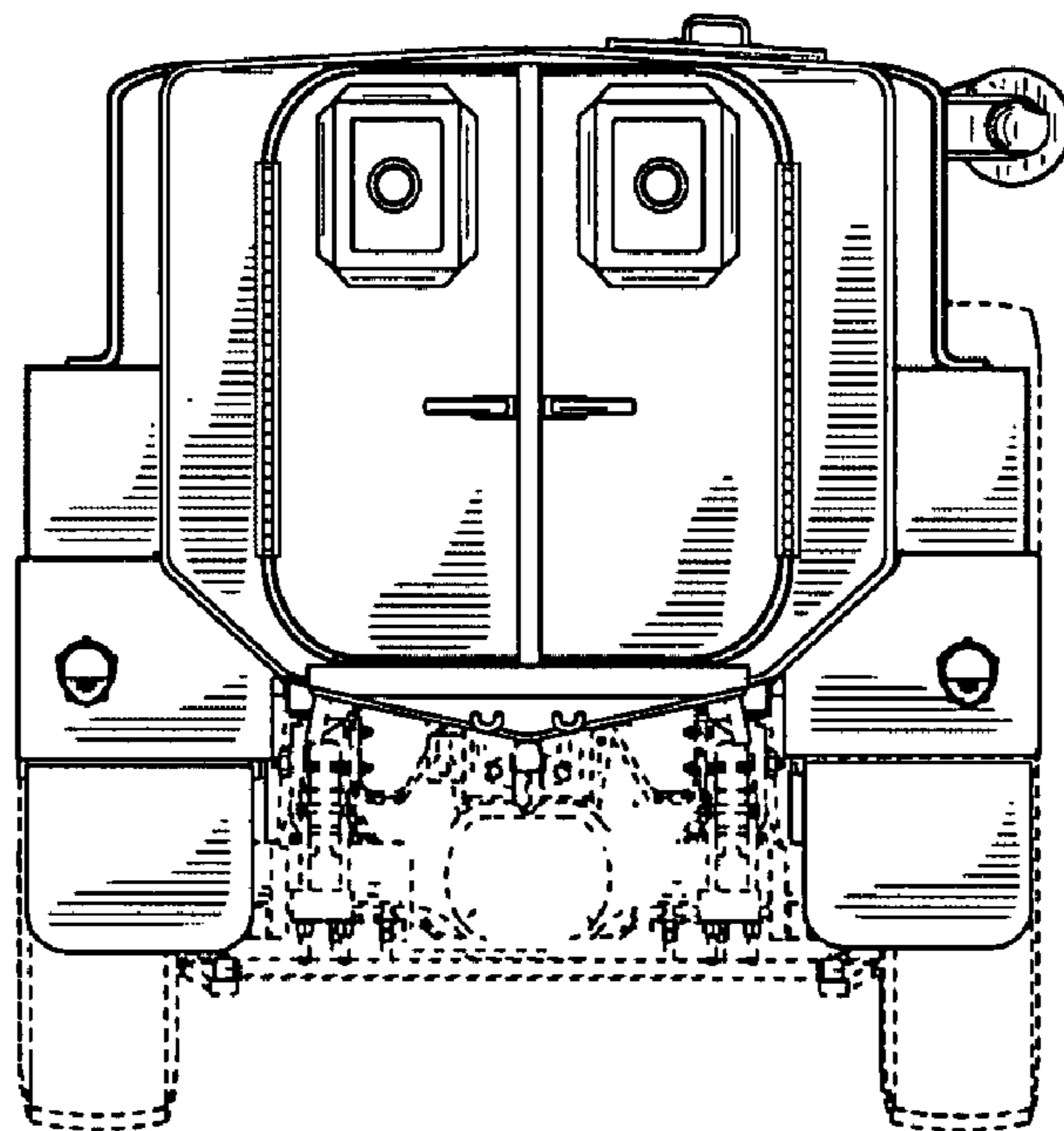


FIG. 5

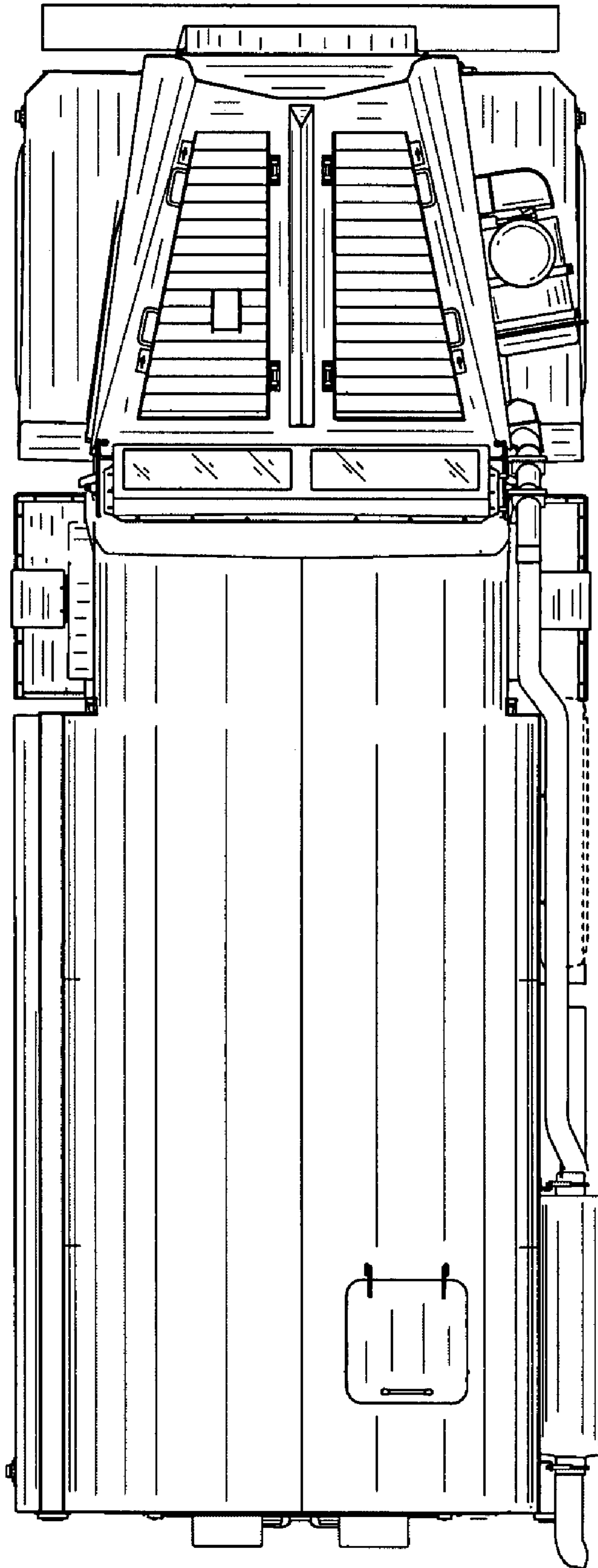


FIG. 6

UNITED STATES PATENT AND TRADEMARK OFFICE
CERTIFICATE OF CORRECTION

PATENT NO. : Des. 563,272 S
APPLICATION NO. : 29/274241
DATED : March 4, 2008
INVENTOR(S) : Murray P. Hammick et al.

Page 1 of 1

It is certified that error appears in the above-identified patent and that said Letters Patent is hereby corrected as shown below:

On title page, under "Inventors"

Item [75]

"Michael L. Hewitt" should be --Matthew E. Hewitt--

Signed and Sealed this

Fifteenth Day of July, 2008

A handwritten signature in black ink that reads "Jon W. Dudas". The signature is written in a cursive style with a large, looped initial "J".

JON W. DUDAS

Director of the United States Patent and Trademark Office