



US00D563254S

(12) **United States Design Patent**
Moore et al.

(10) **Patent No.:** **US D563,254 S**

(45) **Date of Patent:** **** Mar. 4, 2008**

(54) **PILING COVER**

D508,864 S * 8/2005 Harris D10/109
D526,732 S * 8/2006 Kearney D26/47
2002/0148183 A1* 10/2002 Grant 52/300

(76) Inventors: **Steven Lee Moore**, 27060 Beach View
La., Mechanicsville, MD (US) 20659;
Mark David McGrath, 1342 Flag
Harbor Blvd., Saint Leonard, MD (US)
20685

* cited by examiner

(**) Term: **14 Years**

Primary Examiner—Robert M. Spear

Assistant Examiner—Anna K Dworzecka

(21) Appl. No.: **29/291,542**

(74) *Attorney, Agent, or Firm*—John T. Whelan

(22) Filed: **Sep. 4, 2007**

(57) **CLAIM**

(51) **LOC (8) Cl.** **10-05**

The ornamental design for a piling cover, as shown and described.

(52) **U.S. Cl.** **D10/111**

(58) **Field of Classification Search** D25/199,
D25/126; 405/248; 40/580; D10/111, 114,
D10/109, 107; 52/732.1, 300, 301, 737,
52/738

DESCRIPTION

See application file for complete search history.

FIG. 1 is a perspective view of the present invention;

FIG. 2 is a side view of the present invention; and,

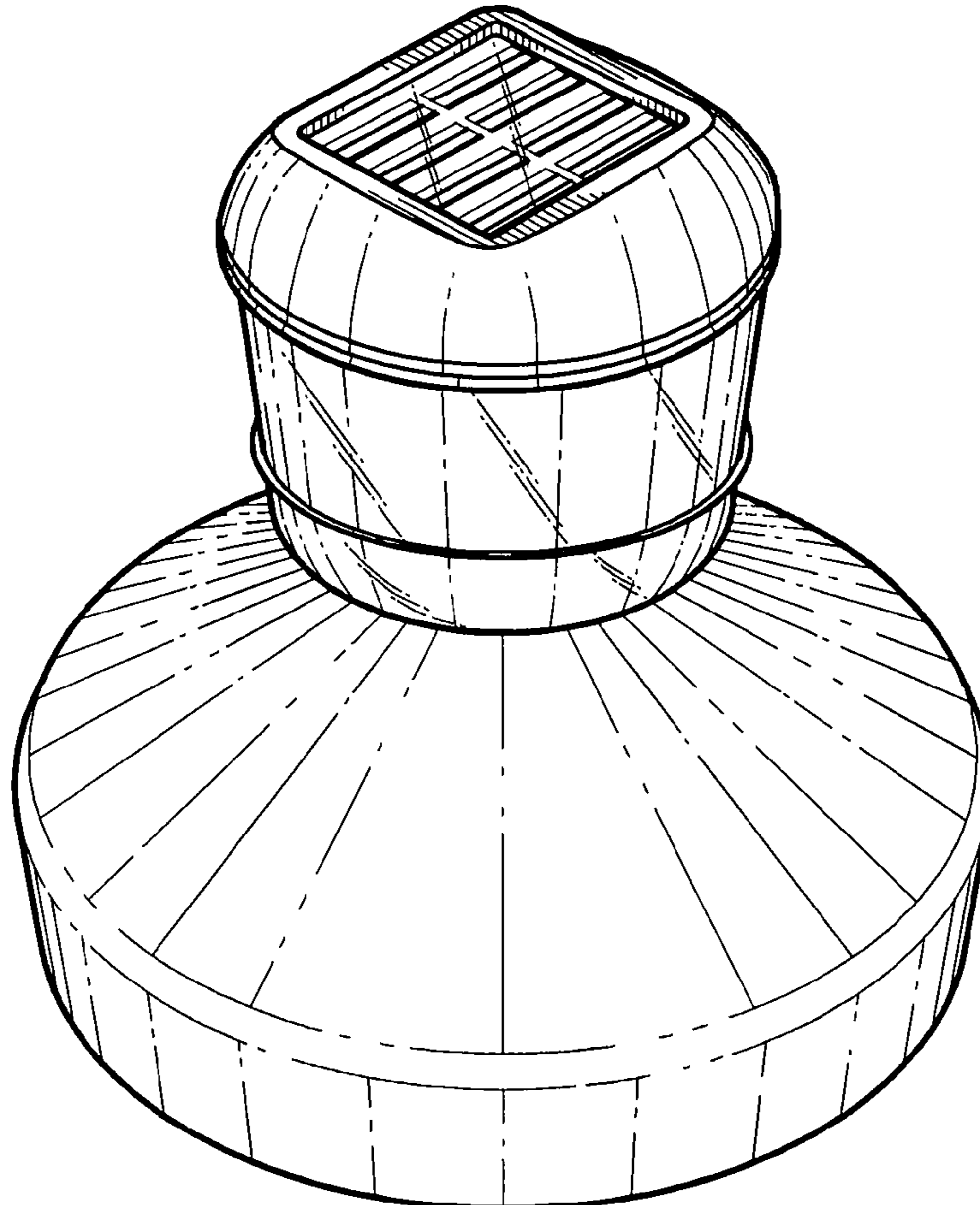
FIG. 3 is a top view of the present invention.

(56) **References Cited**

U.S. PATENT DOCUMENTS

6,021,614 A * 2/2000 Krieger 52/301

1 Claim, 3 Drawing Sheets



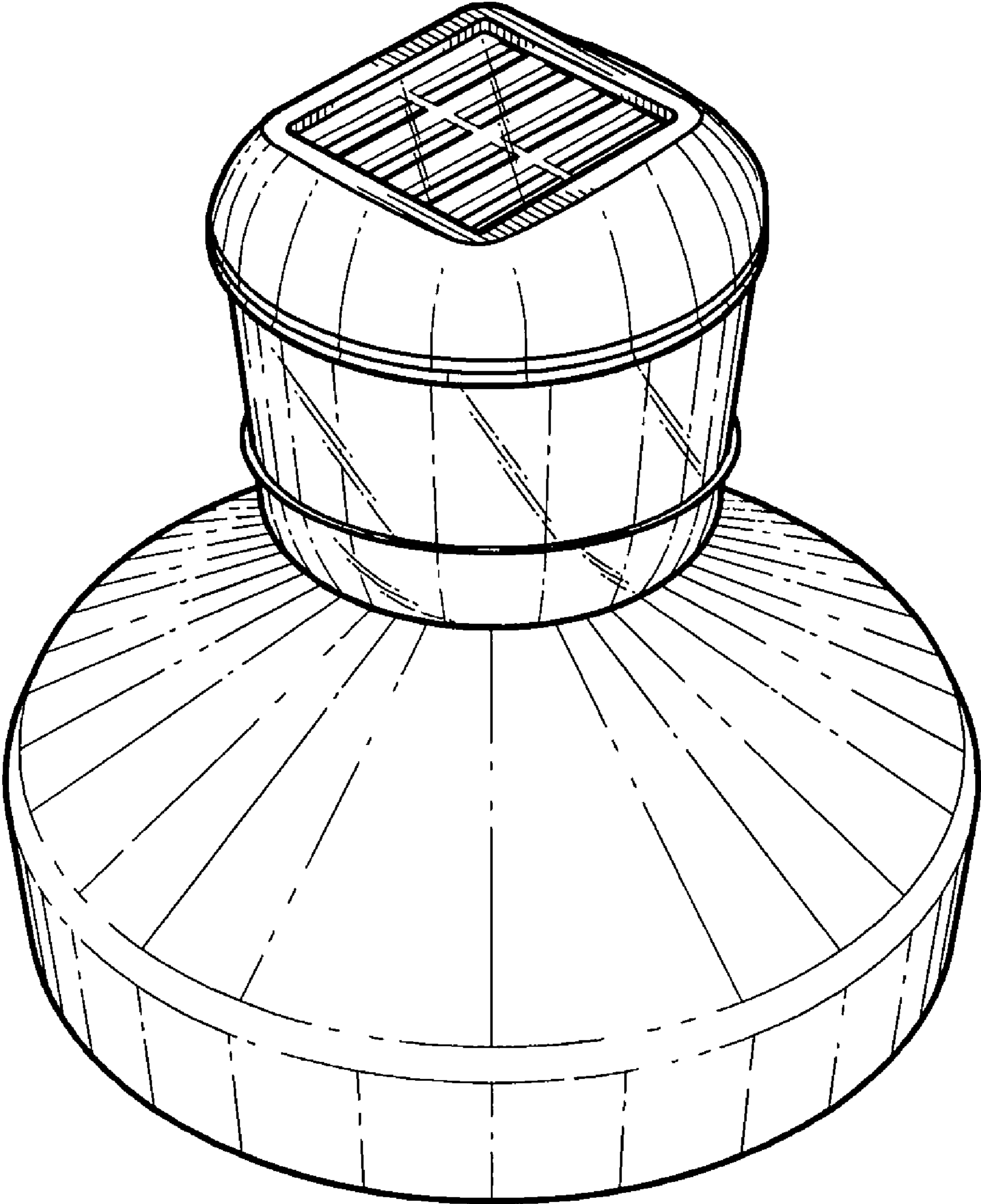


FIG. 1

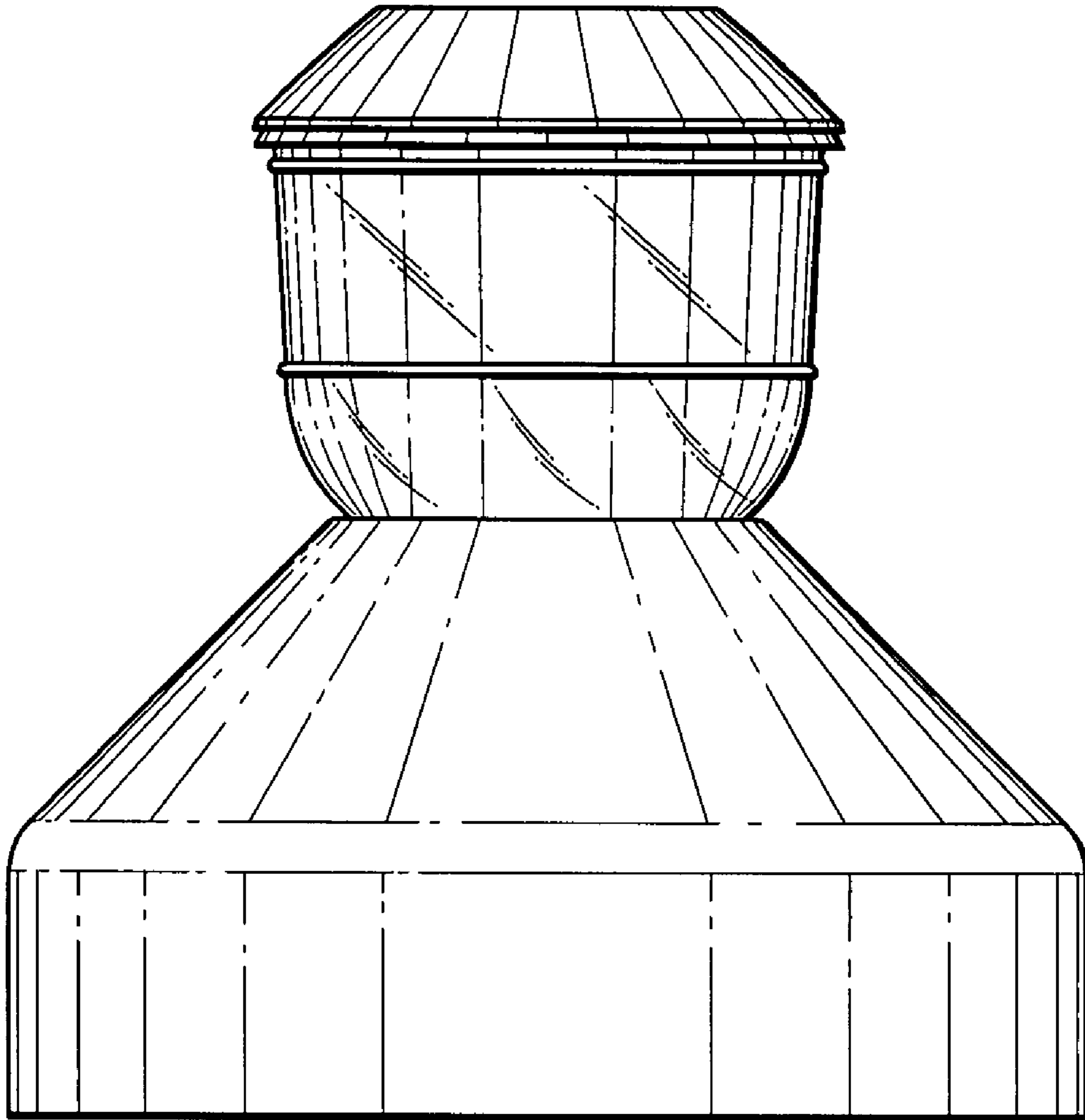


FIG. 2

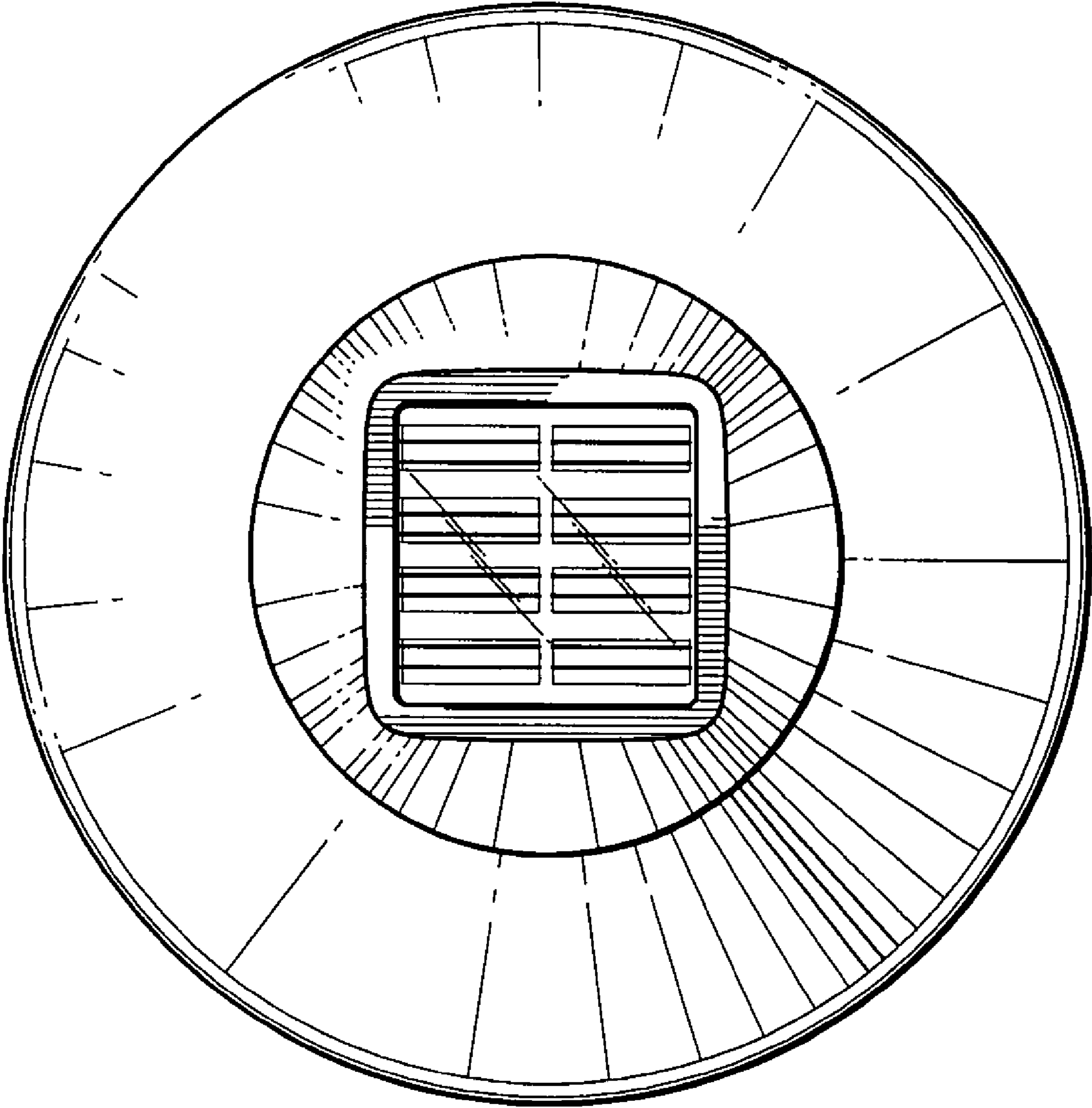


FIG. 3