



US00D563253S

(12) **United States Design Patent**  
**Garner**

(10) **Patent No.:** **US D563,253 S**

(45) **Date of Patent:** **\*\* Mar. 4, 2008**

(54) **CORNER MOUNTED BI-DIRECTIONAL PROXIMITY WARNING SYSTEM**

(75) Inventor: **Michael Lynn Garner**, Gray, TN (US)

(73) Assignee: **Michael L. Garner**, Gray, TN (US)

(\*\*) Term: **14 Years**

(21) Appl. No.: **29/272,270**

(22) Filed: **Feb. 5, 2007**

(51) **LOC (8) Cl.** ..... **10-05**

(52) **U.S. Cl.** ..... **D10/106**

(58) **Field of Classification Search** ..... D10/104,  
D10/106; D14/218; D13/168; 340/541,  
340/545.2, 545.3, 565-567; 250/221; 356/28;  
348/154, 155

See application file for complete search history.

(56) **References Cited**

**U.S. PATENT DOCUMENTS**

4,996,521 A \* 2/1991 Hollow ..... 340/691.7

5,283,549 A \* 2/1994 Mehaffey et al. .... 340/521

D417,165 S \* 11/1999 Takeda et al. .... D10/106

6,186,639 B1 \* 2/2001 Givet ..... 340/541

D449,244 S \* 10/2001 Ginzel ..... D10/106

6,774,352 B2 \* 8/2004 Koyama et al. .... 250/221

\* cited by examiner

*Primary Examiner*—Antoine D. Davis

(57) **CLAIM**

The ornamental design of a corner mounted bi-directional proximity warning system, as shown.

**DESCRIPTION**

FIG. 1 is a left elevational perspective showing my new design;

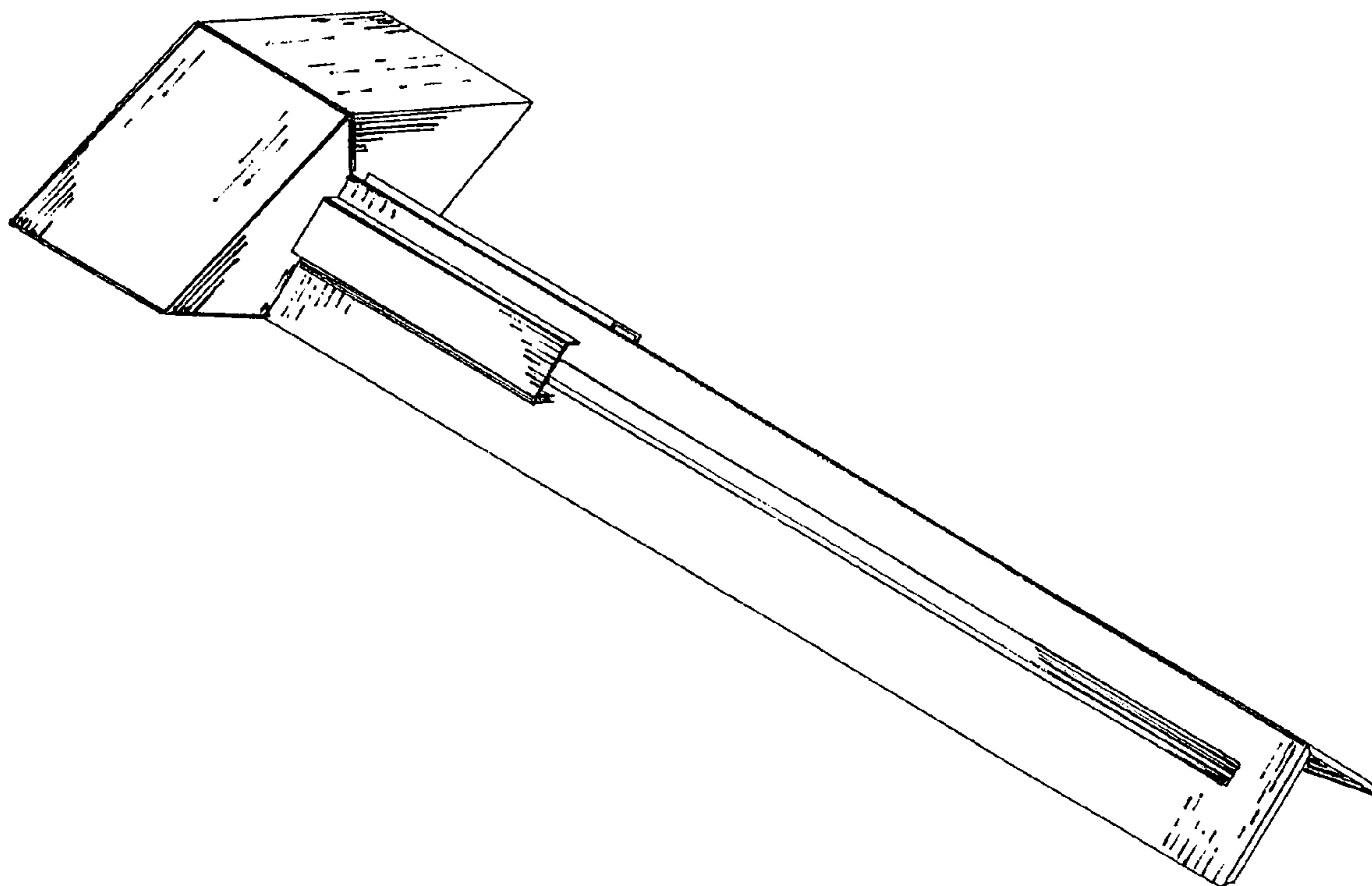
FIG. 2 is a left plan view thereof;

FIG. 3 is a right plan view thereof;

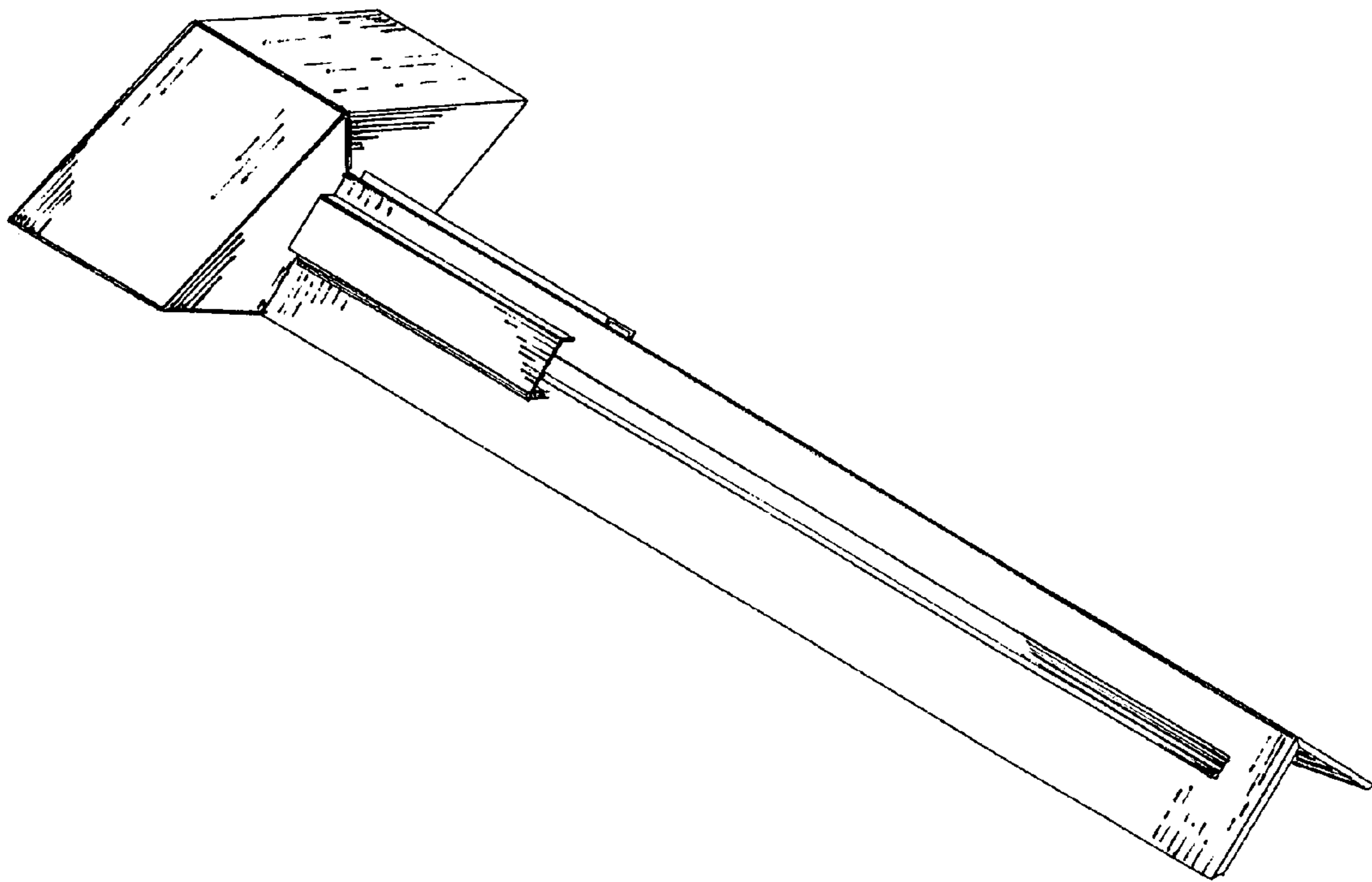
FIG. 4 is a frontal plan view thereof; and,

FIG. 5 is a rear plan view thereof.

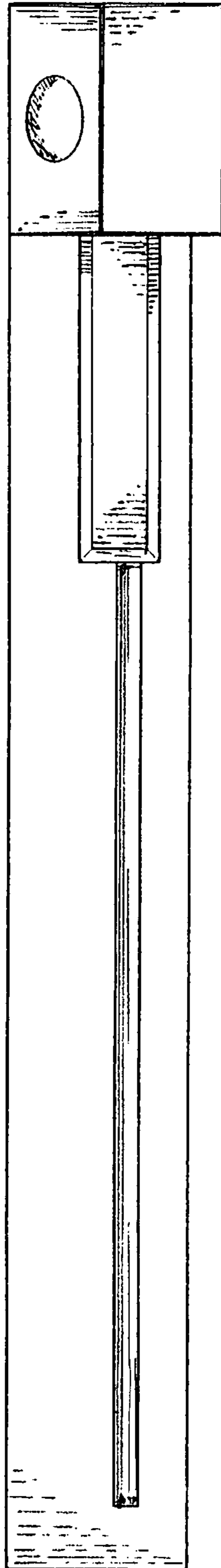
**1 Claim, 3 Drawing Sheets**



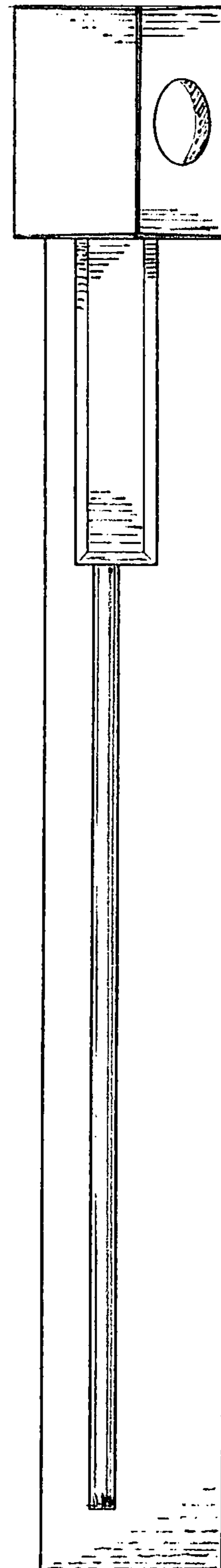
**FIG. 1**



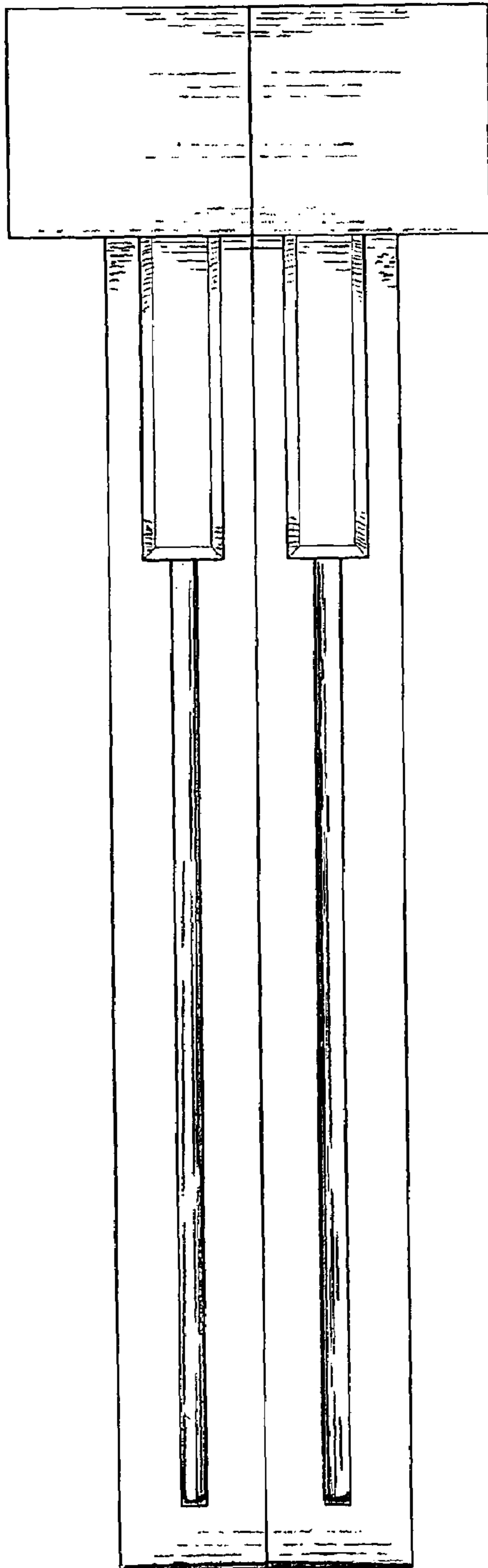
**FIG. 2**



**FIG. 3**



**FIG. 4**



**FIG. 5**

