



(12) **United States Design Patent**  
**Sayegh**

(10) **Patent No.:** **US D563,251 S**  
(45) **Date of Patent:** **\*\* Mar. 4, 2008**

(54) **ELECTRONIC ARTICLE SURVEILLANCE TAG**

7,062,823 B2 \* 6/2006 Copen et al. .... 24/704.1  
2006/0021394 A1 \* 2/2006 Belden, Jr. .... 70/57.1

(76) Inventor: **Adel O. Sayegh**, 5143 Paddock Pl.,  
Rancho Cucamonga, CA (US) 91730

\* cited by examiner

(\*\*) Term: **14 Years**

*Primary Examiner*—Robert M. Spear  
*Assistant Examiner*—George D. Kirschbaum  
(74) *Attorney, Agent, or Firm*—Milord A. Keshishian

(21) Appl. No.: **29/248,998**

(57) **CLAIM**

(22) Filed: **Sep. 14, 2006**

The ornamental design for an electronic article surveillance tag, as shown and described.

(51) **LOC (8) Cl.** ..... **10-05**

(52) **U.S. Cl.** ..... **D10/104**

(58) **Field of Classification Search** ..... D10/104-122;  
343/895; 24/704.1; 70/57

See application file for complete search history.

**DESCRIPTION**

(56) **References Cited**

U.S. PATENT DOCUMENTS

3,911,534	A	10/1975	Martens et al.	
3,942,829	A	3/1976	Humble et al.	
4,380,097	A *	4/1983	Keifer	70/57.1
D274,796	S	7/1984	Humble	
4,483,049	A *	11/1984	Gustavsson et al.	70/57.1
4,649,397	A	3/1987	Heaton et al.	
5,140,836	A	8/1992	Hogan et al.	
5,508,682	A	4/1996	Wachsman	
5,577,395	A *	11/1996	Kuykendall	63/3
D427,929	S	7/2000	Sayegh	
6,102,200	A *	8/2000	Dressen et al.	206/308.2
D460,012	S *	7/2002	Proulx et al.	D10/106
6,449,991	B1	9/2002	Hogan	
D466,037	S	11/2002	Huehner et al.	
D466,426	S *	12/2002	Proulx et al.	D10/104
D468,223	S *	1/2003	Huehner	D10/104
D477,240	S *	7/2003	Huehner	D10/104
6,754,939	B2	6/2004	Belden, Jr. et al.	

FIG. 1 is a perspective view showing the electronic article surveillance tag in an engaged state showing the design taken from the bottom;

FIG. 2 is a side elevational view showing a right side thereof in an engaged state;

FIG. 3 is a side elevational view showing a left side thereof in an engaged state;

FIG. 4 is a bottom plan view thereof in an engaged state;

FIG. 5 is a top plan view thereof in an engaged state;

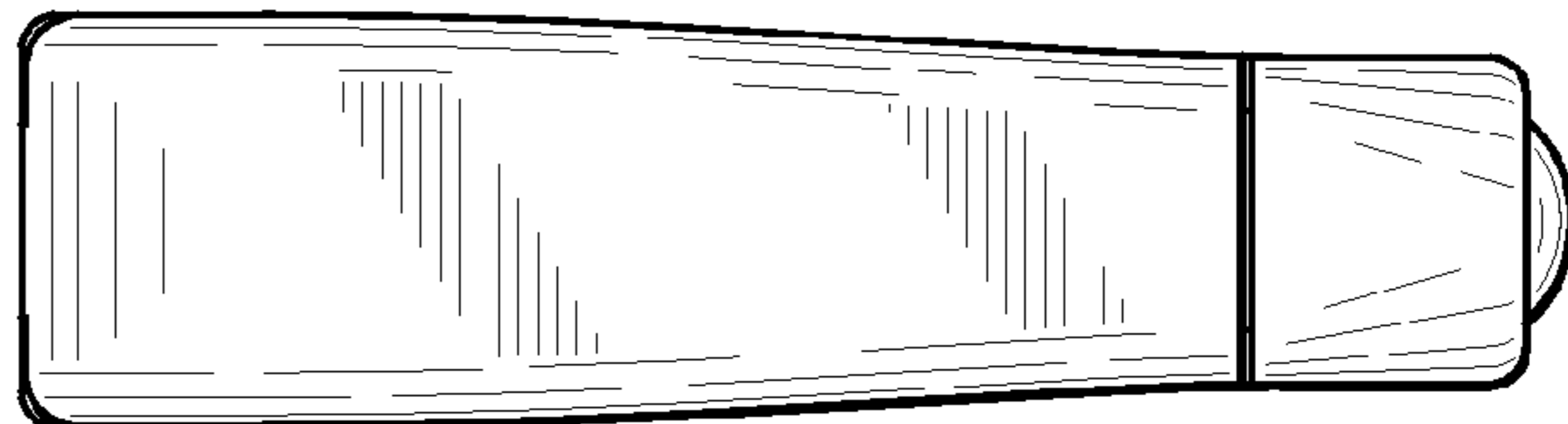
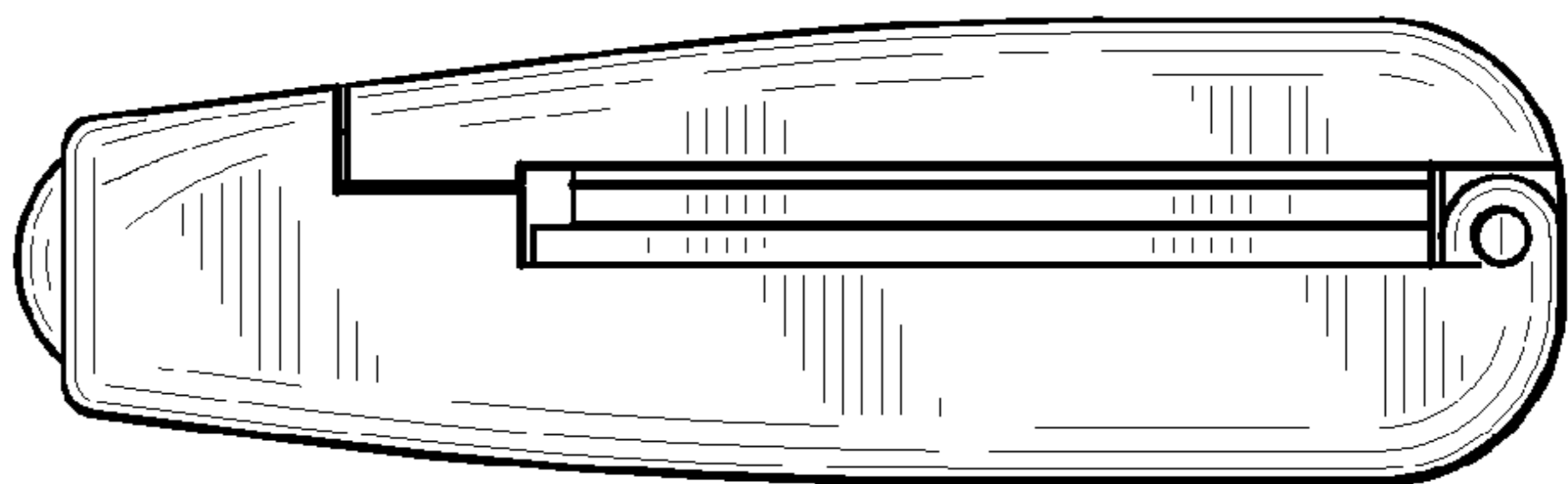
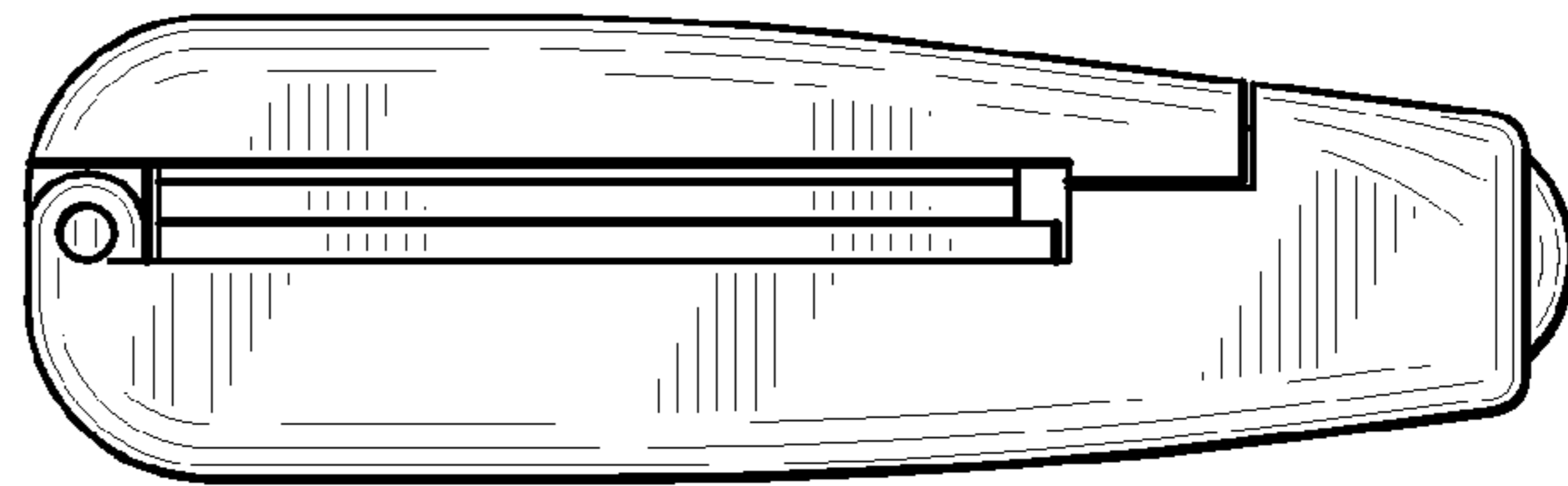
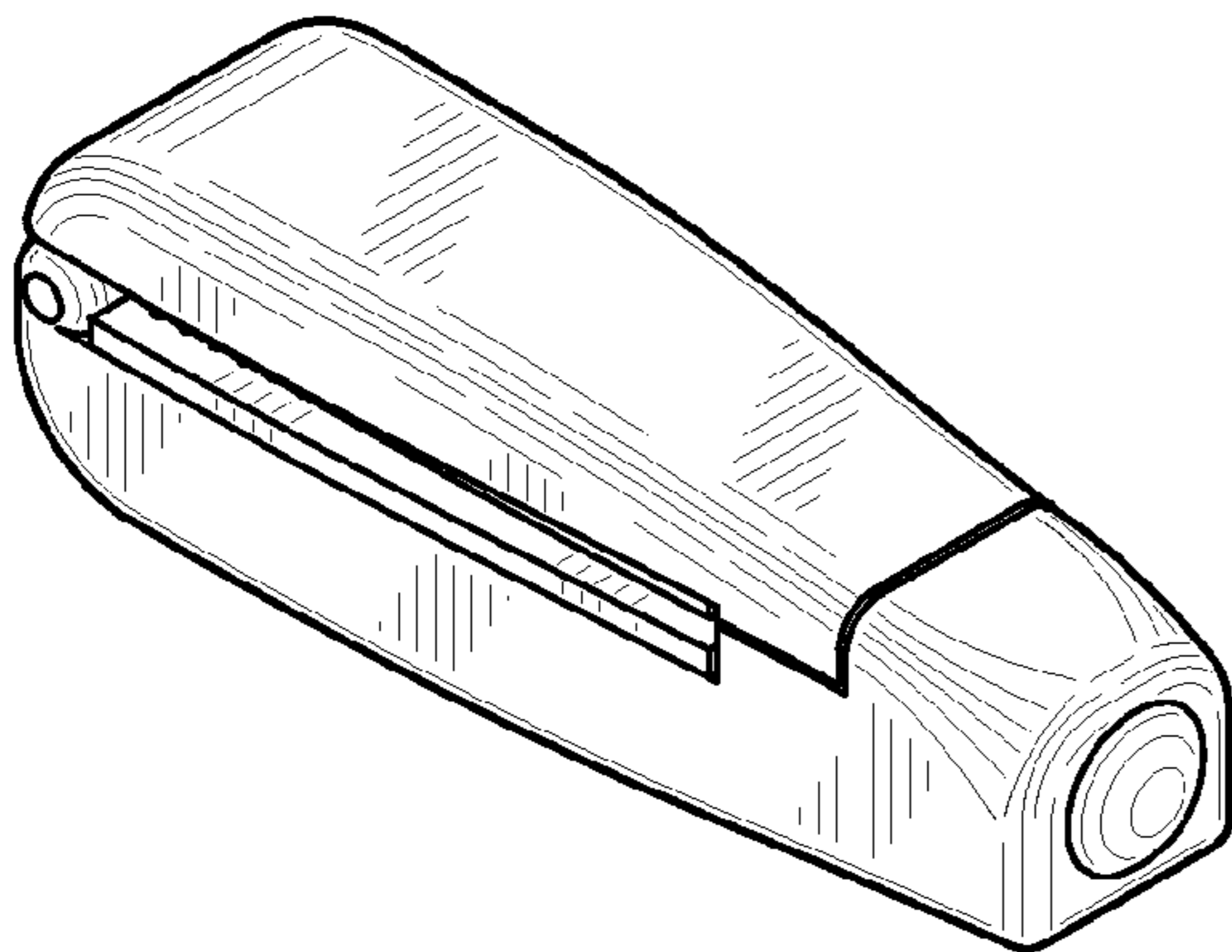
FIG. 6 is a rearward elevational view thereof in an engaged state;

FIG. 7 is a frontal elevational view thereof in an engaged state;

FIG. 8 is a rearward side perspective view thereof in an unengaged state; and,

FIG. 9 is a frontal perspective view thereof in an unengaged state taken from the top.

**1 Claim, 5 Drawing Sheets**



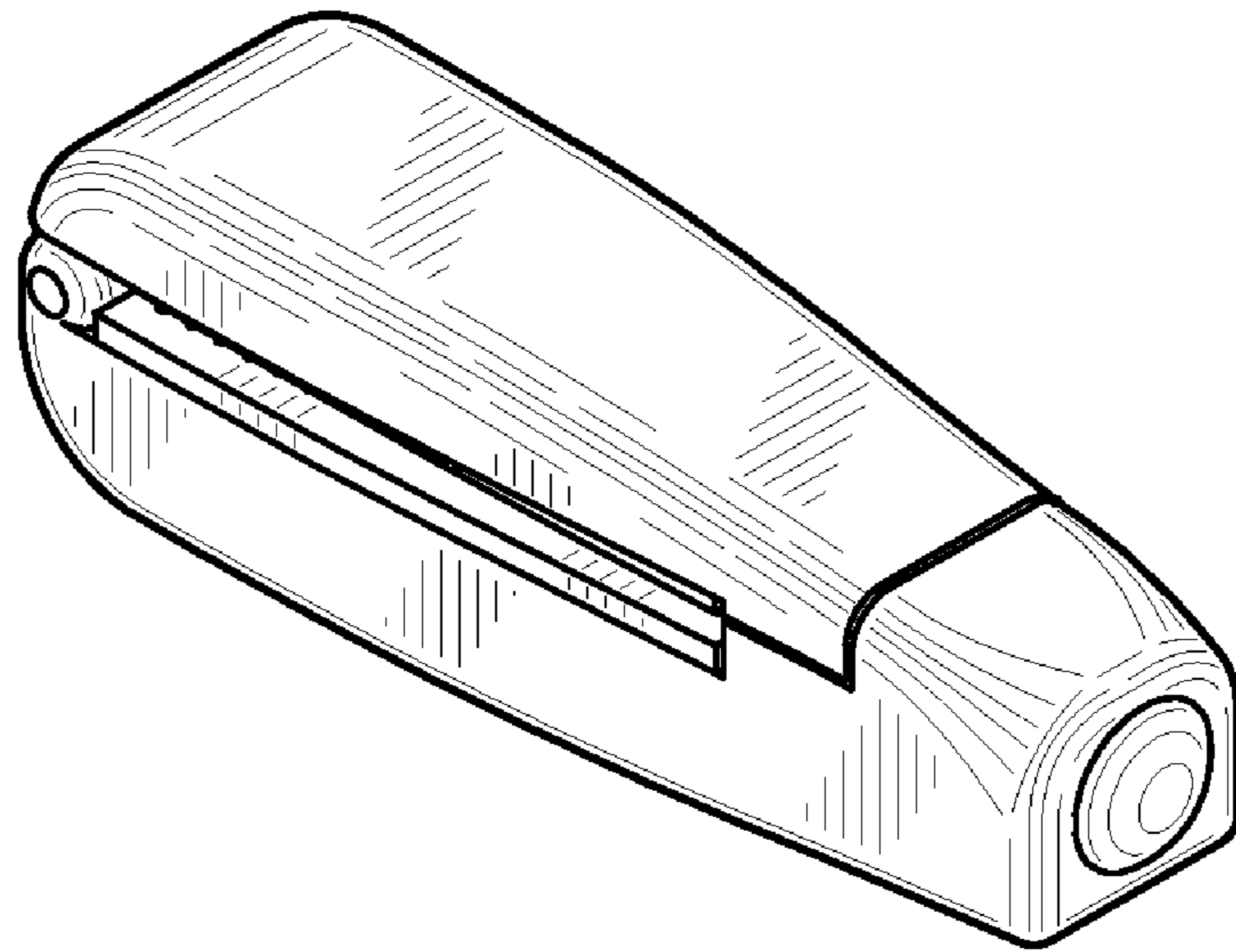


FIG. 1

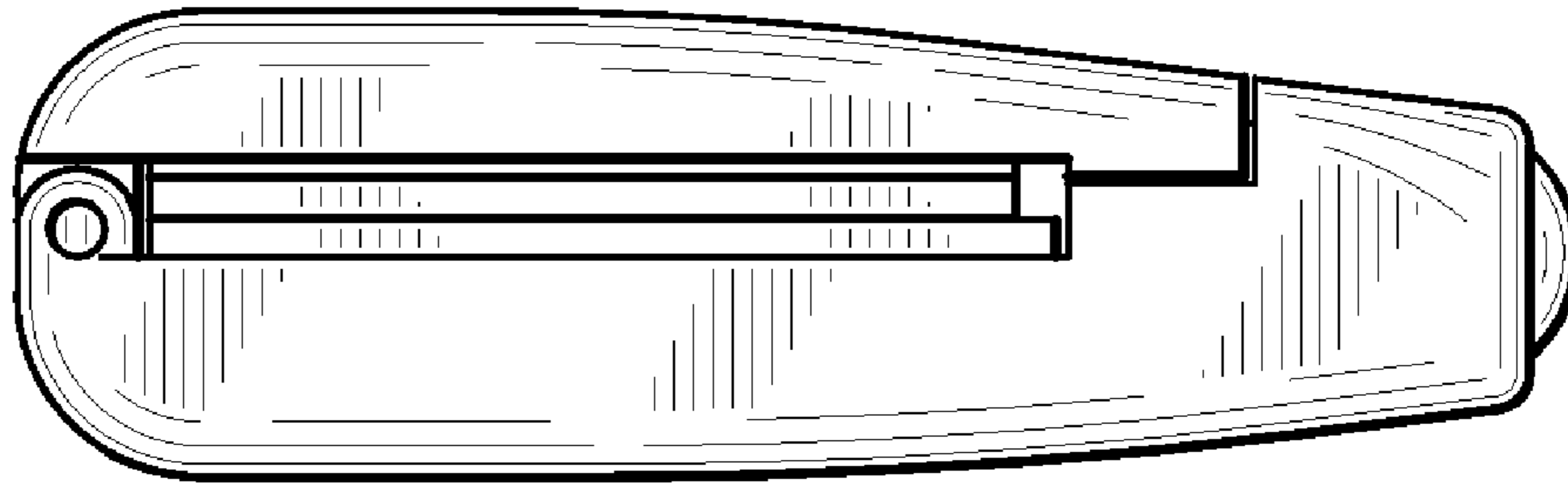


FIG. 2

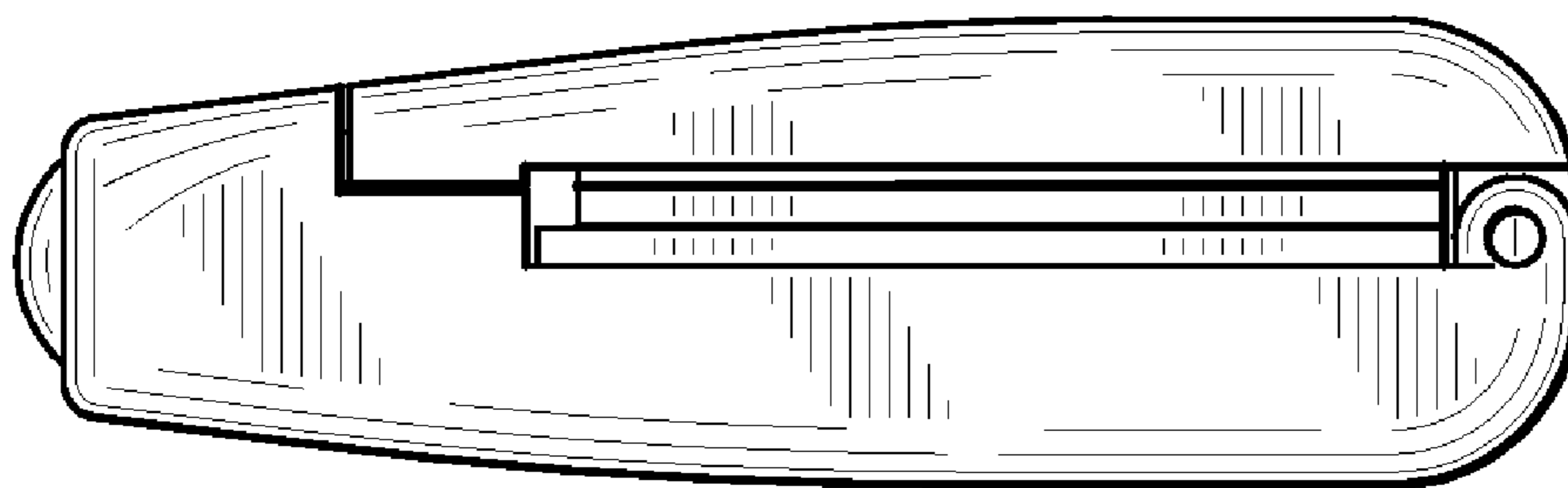


FIG. 3

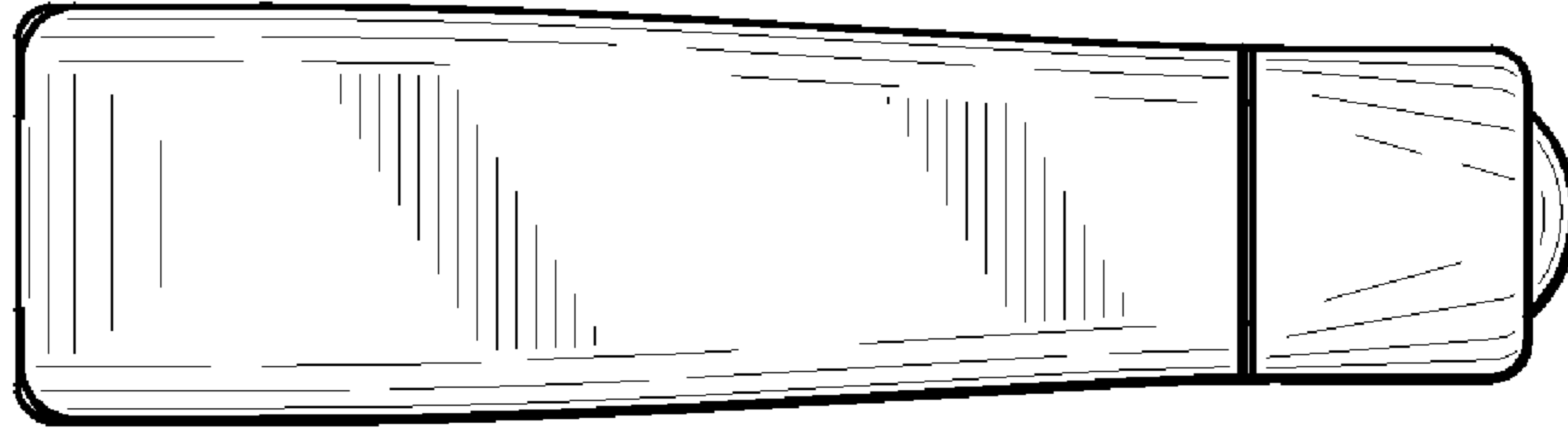


FIG. 4

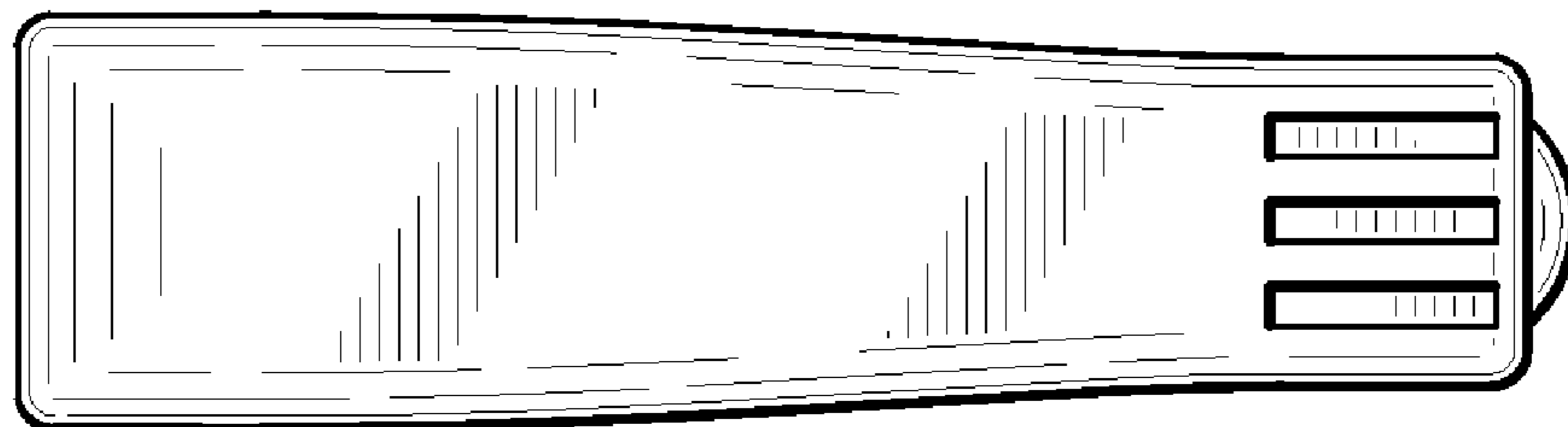


FIG. 5

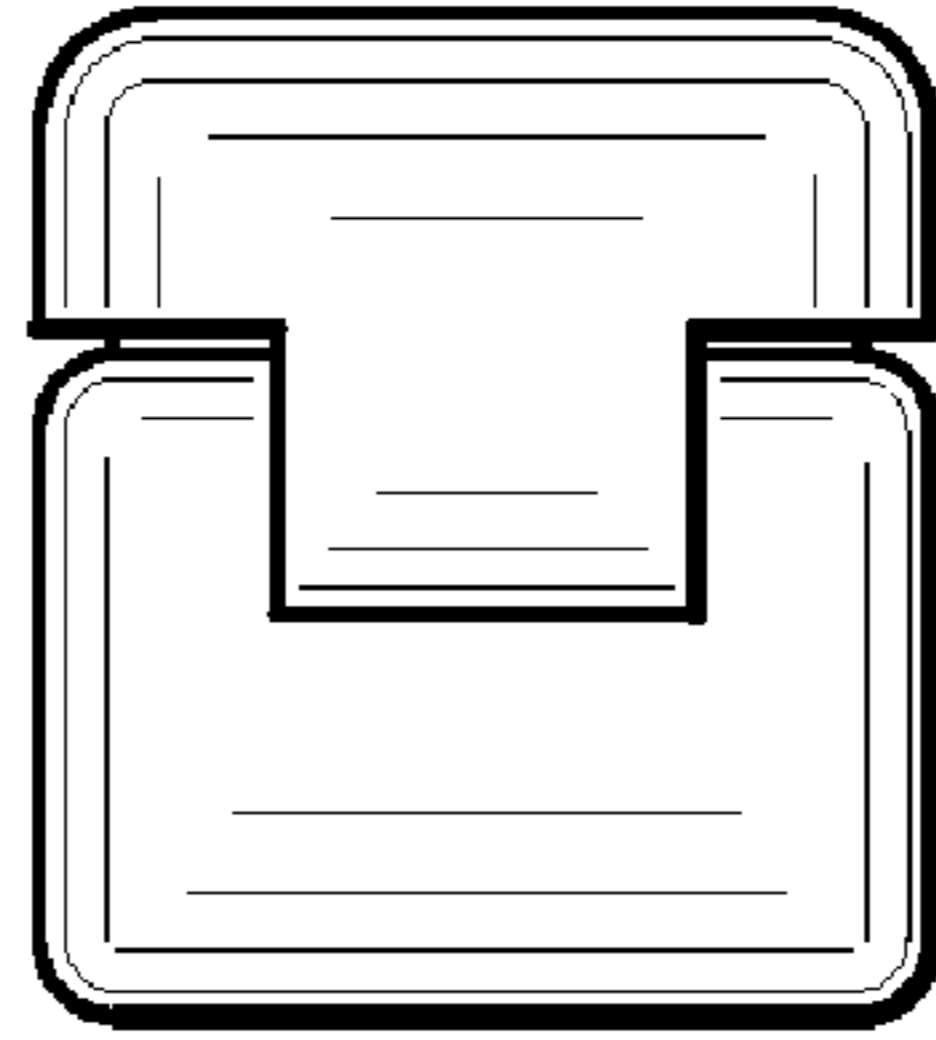


FIG. 6

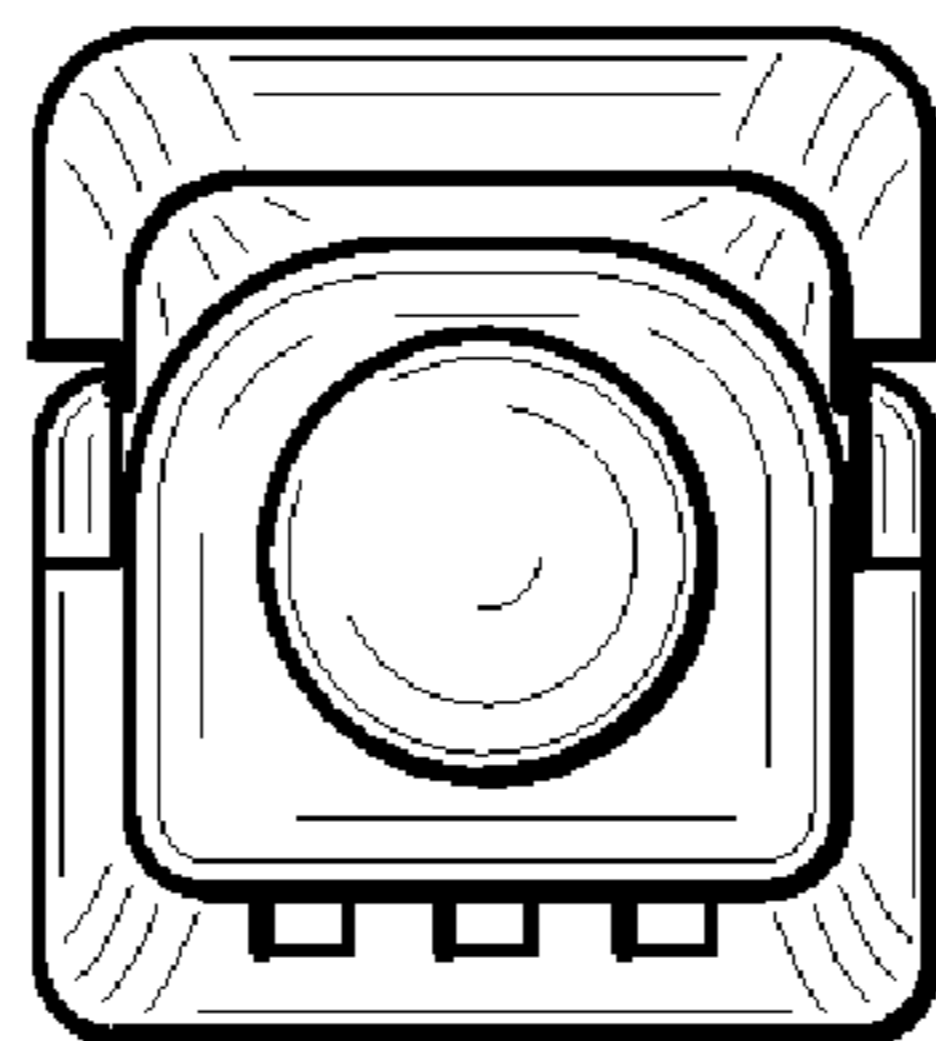


FIG. 7

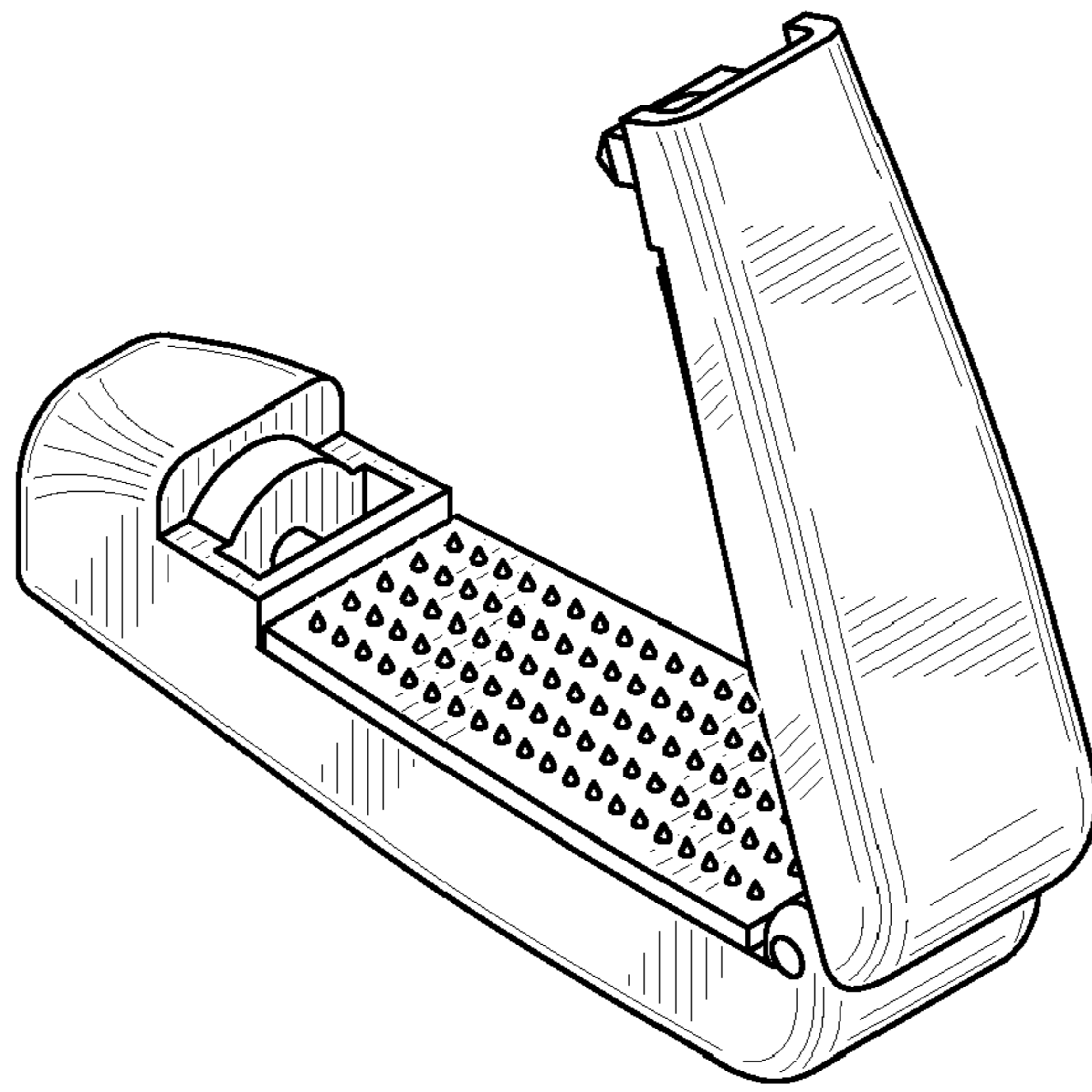


FIG. 8

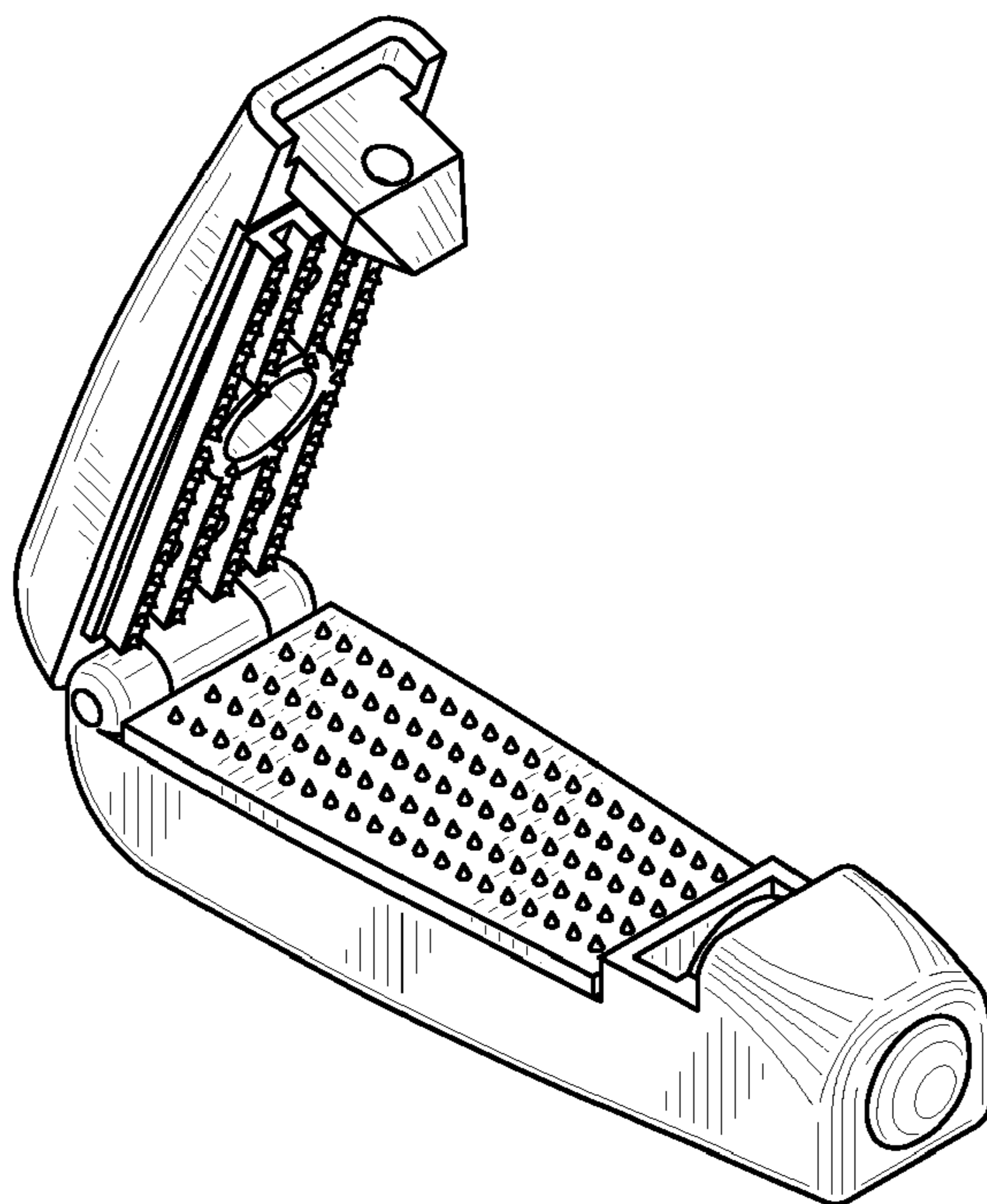


FIG. 9