

US00D563248S

(12) **United States Design Patent**
Jansson

(10) **Patent No.:** **US D563,248 S**

(45) **Date of Patent:** **** Mar. 4, 2008**

(54) **MECHANICAL STANDBY SYSTEM**

D248,546 S * 7/1978 Snyder D10/15
6,985,801 B1 * 1/2006 Straub et al. 701/3
7,012,553 B2 * 3/2006 Hedrick 340/971

(75) Inventor: **Peter Jansson**, Grundlaggarvagen 24, 1 tr, Bromma (SE) 168 33

* cited by examiner

(73) Assignee: **Peter Jansson**, Stockholm (SE)

Primary Examiner—Antoine D. Davis

(**) Term: **14 Years**

(57) **CLAIM**

(21) Appl. No.: **29/250,355**

The ornamental design for a mechanical standby system, as shown.

(22) Filed: **Nov. 10, 2006**

DESCRIPTION

(51) **LOC (8) Cl.** **10-04**

FIG. 1 is a front elevation view of the mechanical standby system showing my new design.

(52) **U.S. Cl.** **D10/67**

FIG. 2 is a perspective elevation view thereof;

(58) **Field of Classification Search** D10/67;
340/953, 963, 995.17, 971, 945; 701/34,
701/14; 244/1 R

FIG. 3 is a left side elevation view thereof;

See application file for complete search history.

FIG. 4 is a right side elevation view thereof;

FIG. 5 is a top plan view thereof; and

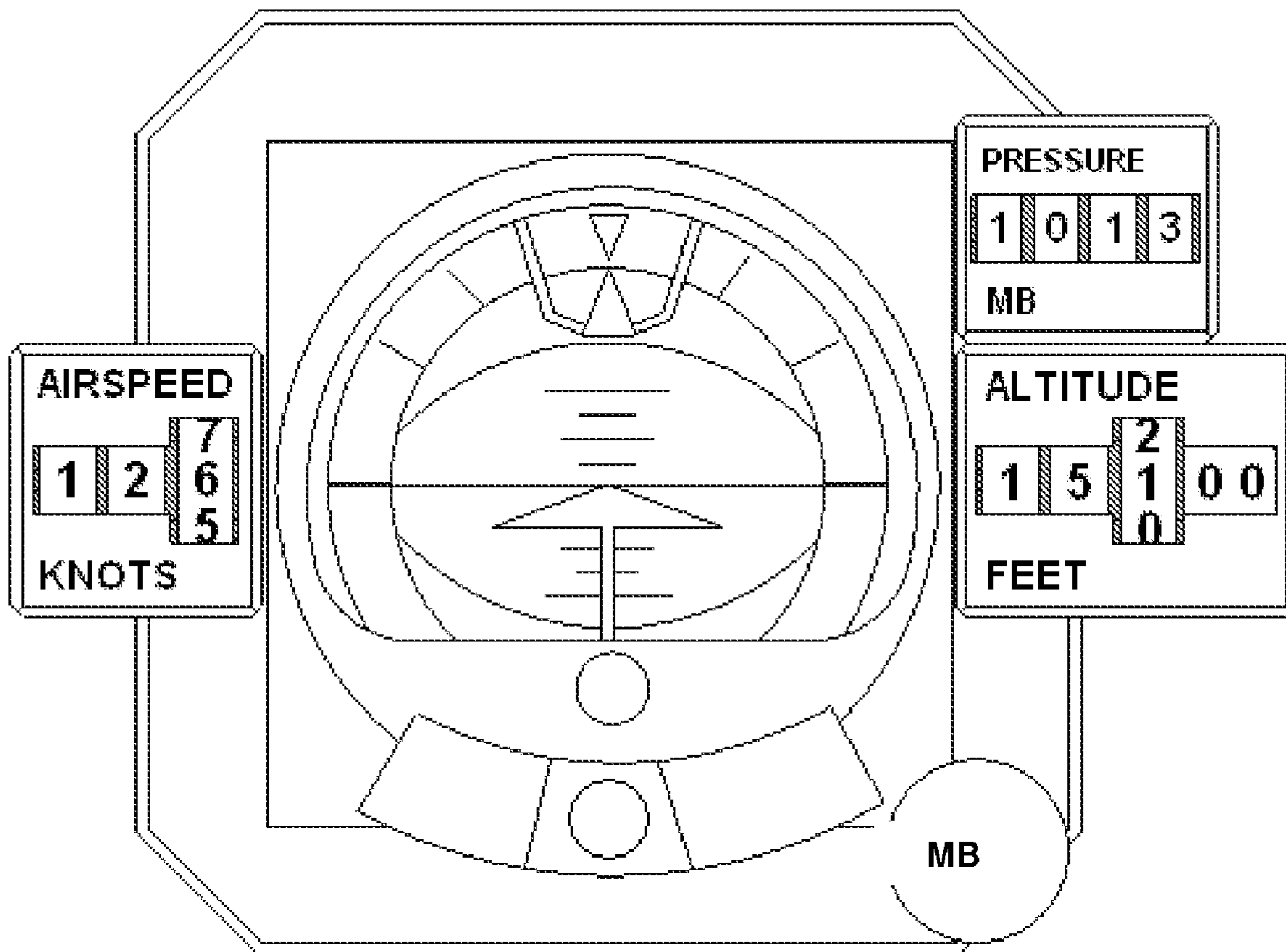
FIG. 6 is a bottom plan view thereof.

(56) **References Cited**

U.S. PATENT DOCUMENTS

D236,590 S * 9/1975 Torresdal D10/15

1 Claim, 3 Drawing Sheets



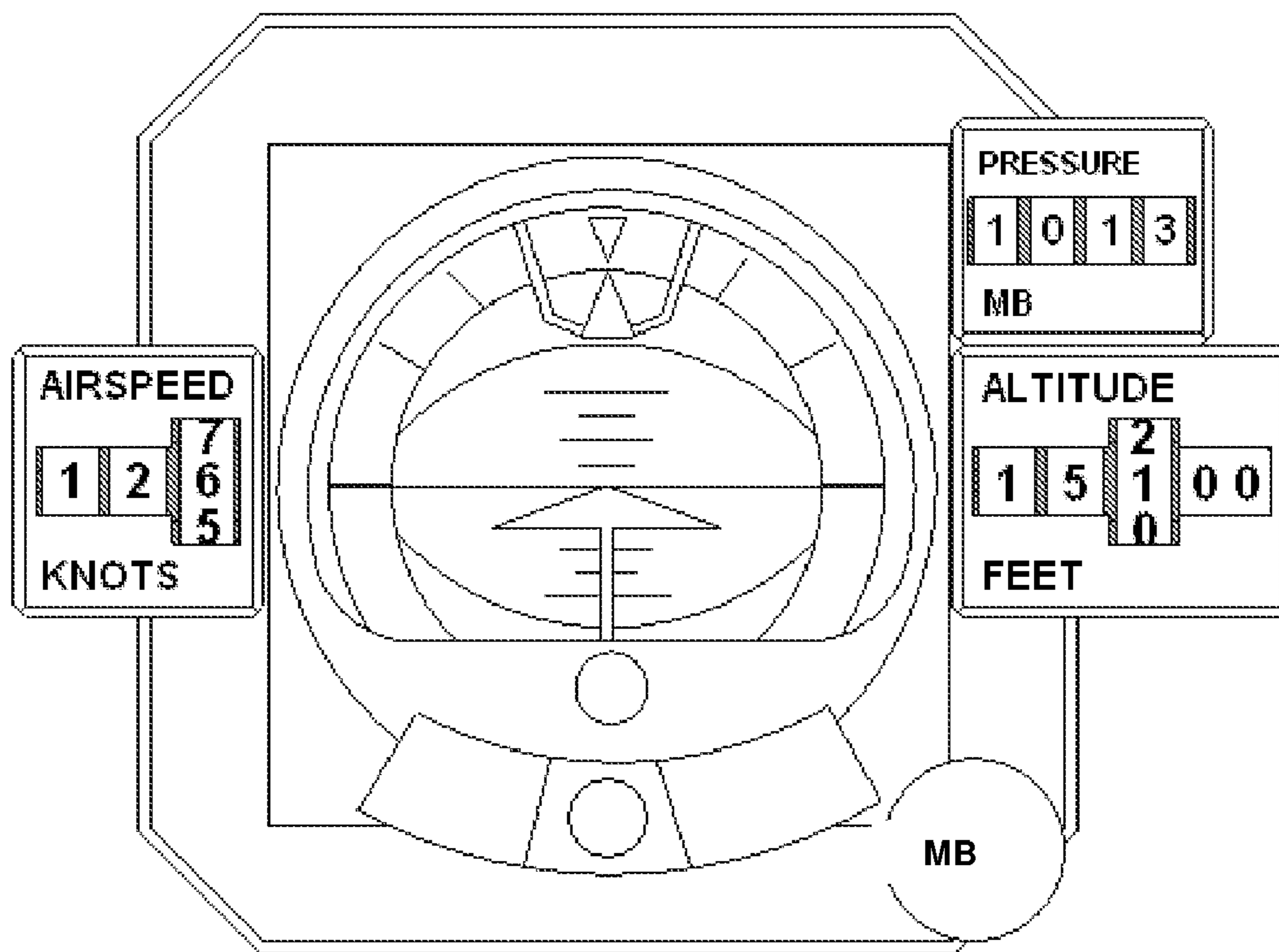


Fig. 1

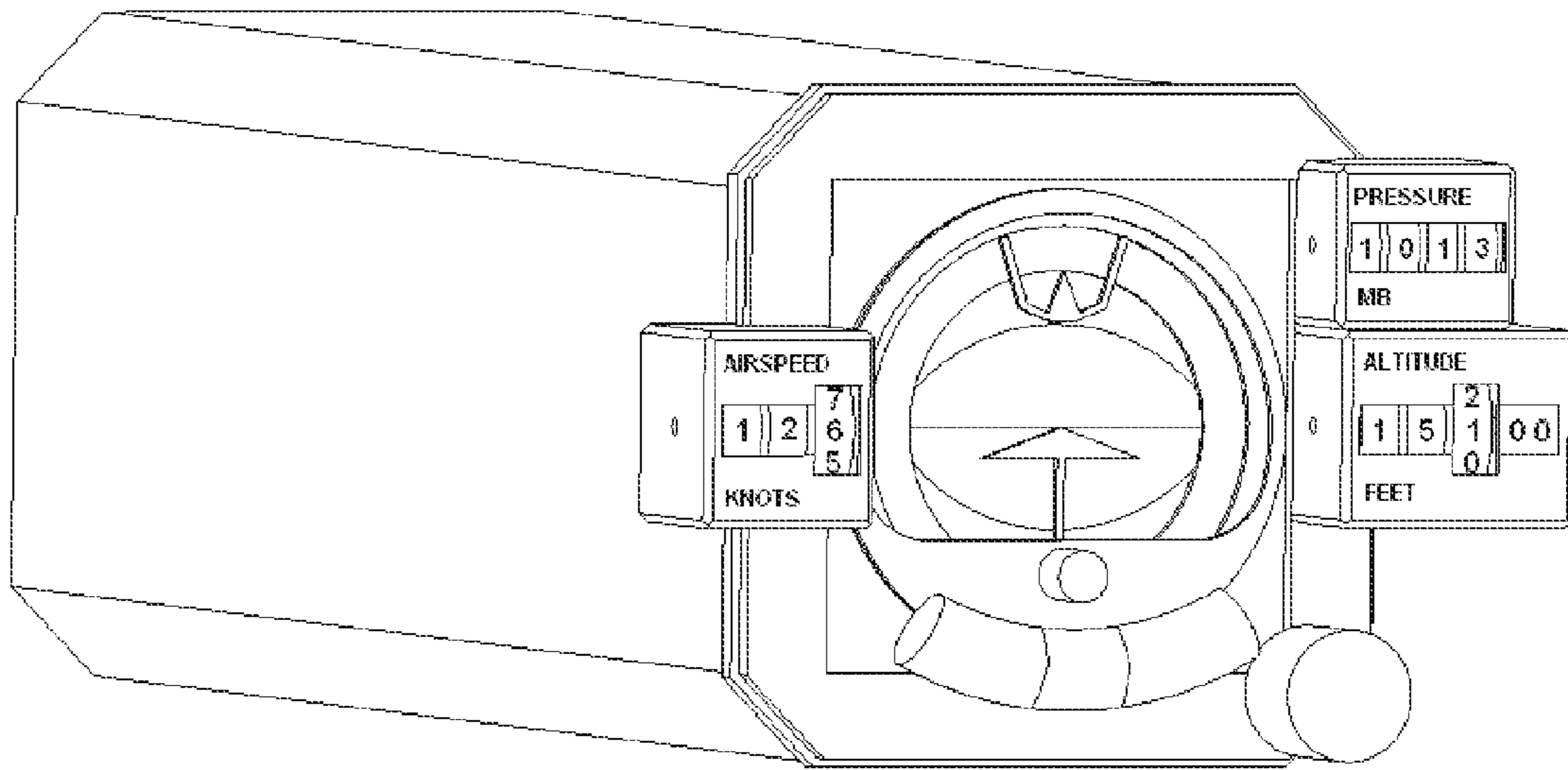


Fig. 2

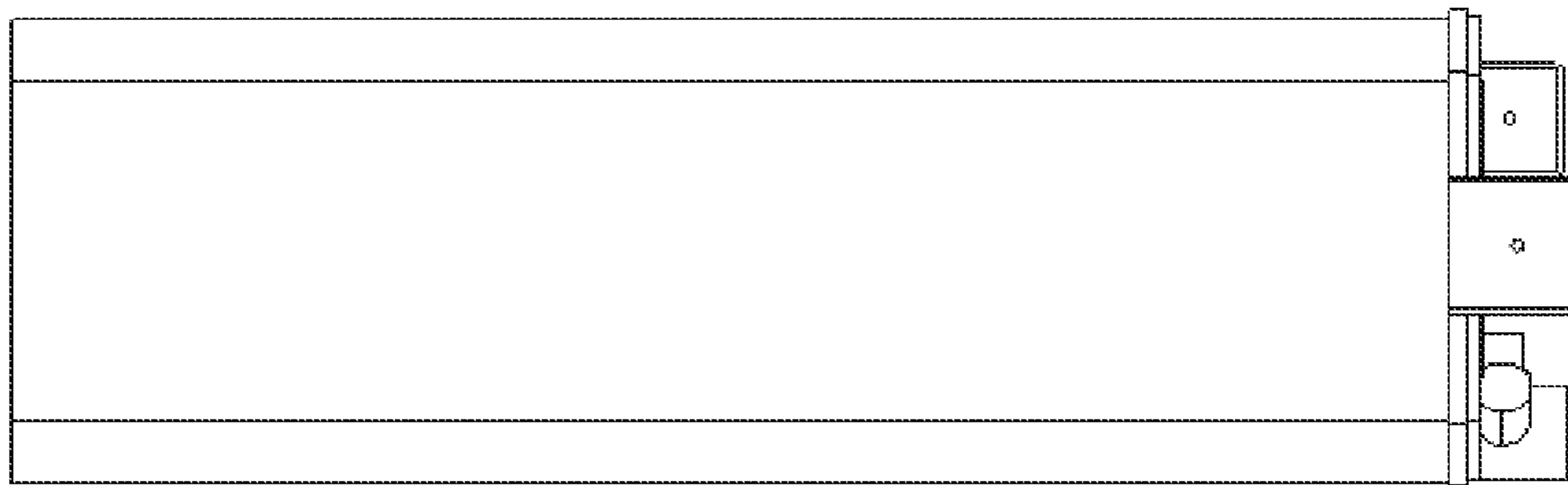


Fig. 3

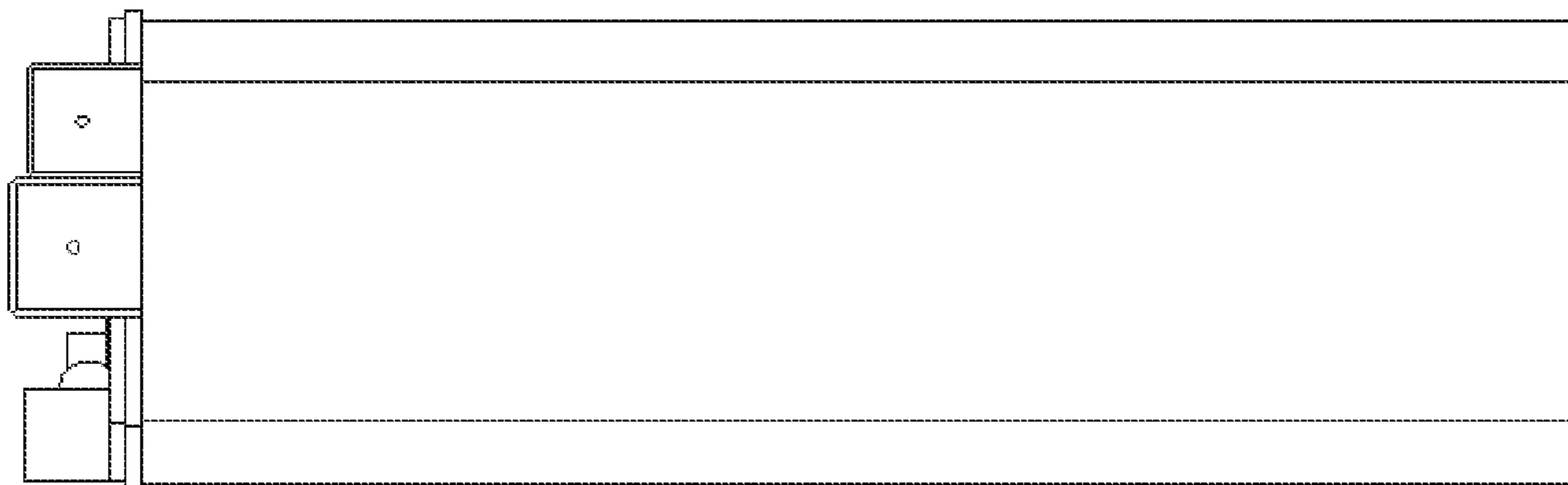


Fig. 4

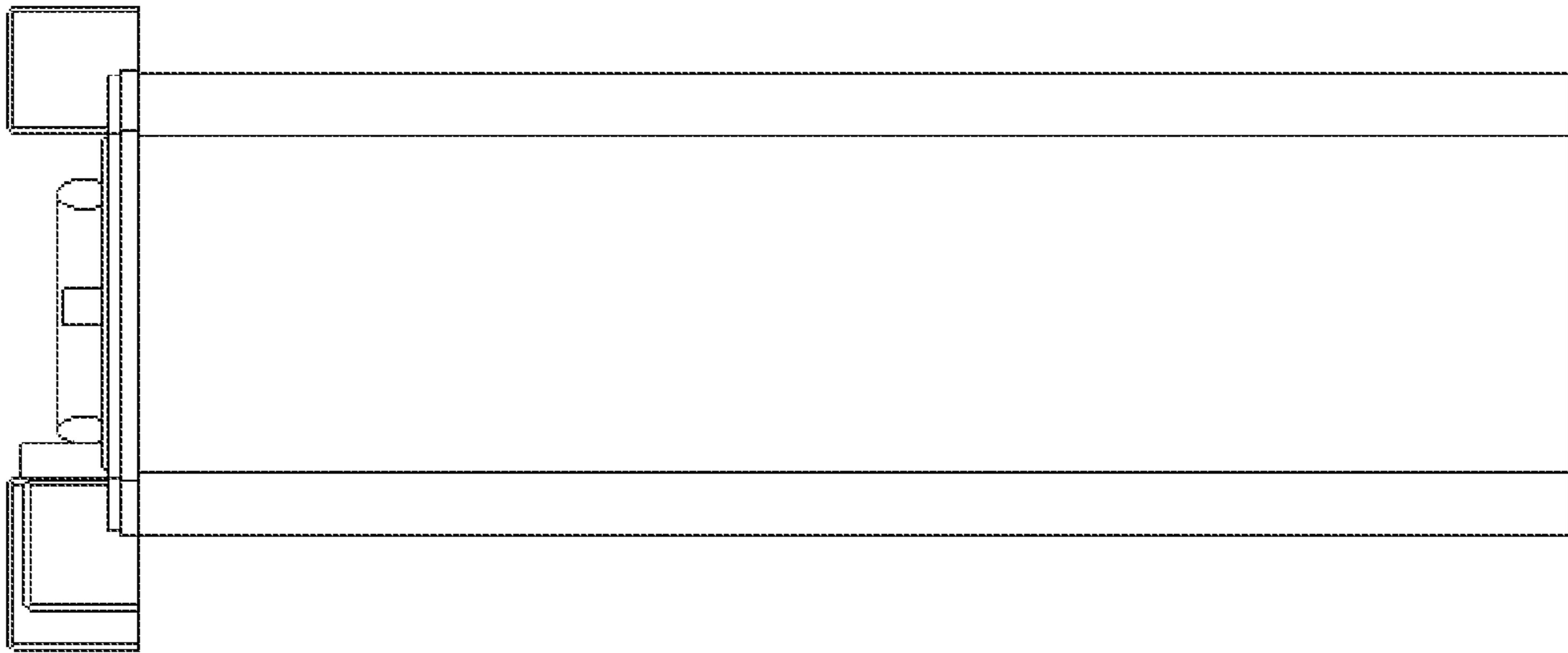


Fig. 5

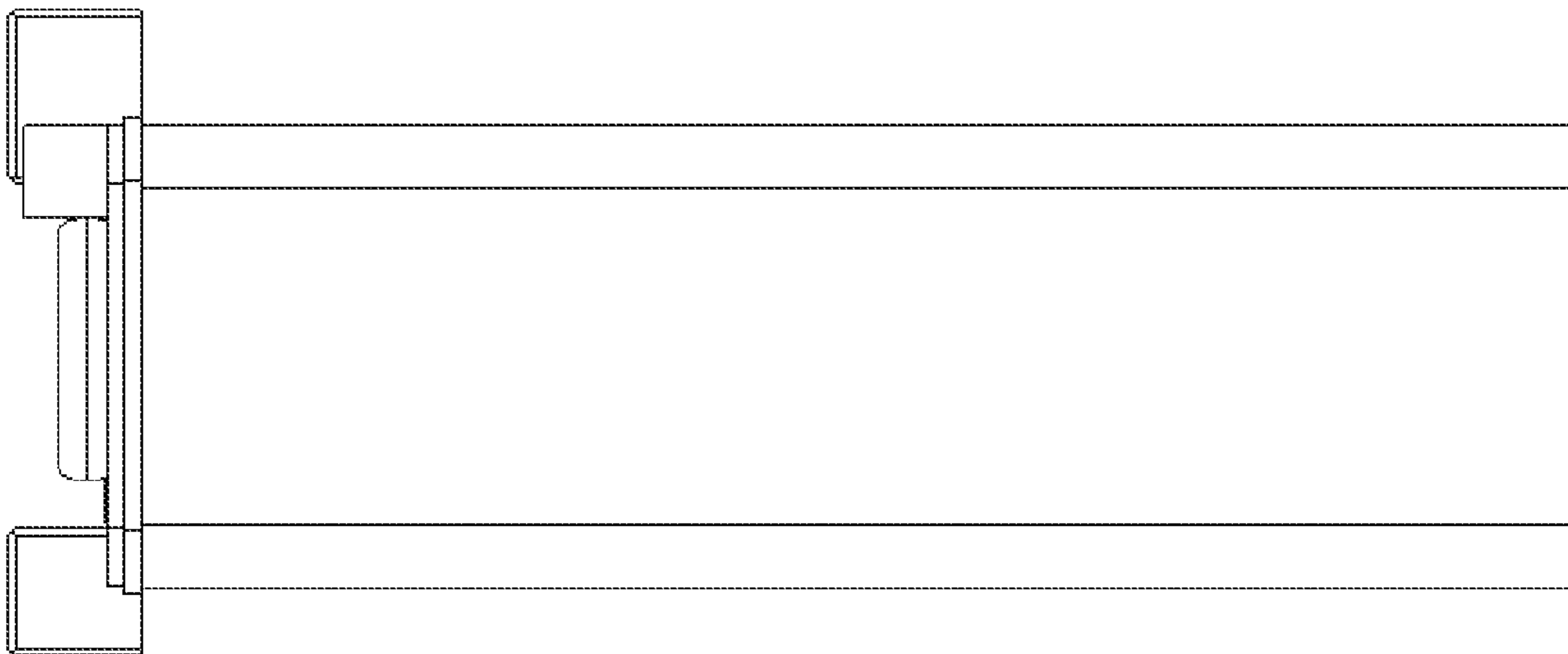


Fig. 6